



US00D331734S

**United States Patent** [19]  
**Rankin**

[11] **Patent Number: Des. 331,734**  
[45] **Date of Patent: \*\* Dec. 15, 1992**

[54] **BICYCLE RACK**

[76] **Inventor: Thomas A. Rankin, P.O. Box 48199, Bentall Centre, Vancouver, B.C., Canada, V7X 1N8**

[\*\*] **Term: 14 Years**

[21] **Appl. No.: 686,805**

[22] **Filed: Apr. 17, 1991**

[52] **U.S. Cl. .... D12/115**

[58] **Field of Search ..... D12/115; D8/356, 371, D8/381; 211/17-22**

[56] **References Cited**

**U.S. PATENT DOCUMENTS**

- D. 27,632 9/1897 Felton ..... D12/115
- D. 272,412 1/1984 Shanklin ..... D8/371
- 2,859,879 11/1958 Rogers et al. .... D8/381
- 3,841,119 10/1974 Kaufmann ..... D12/115

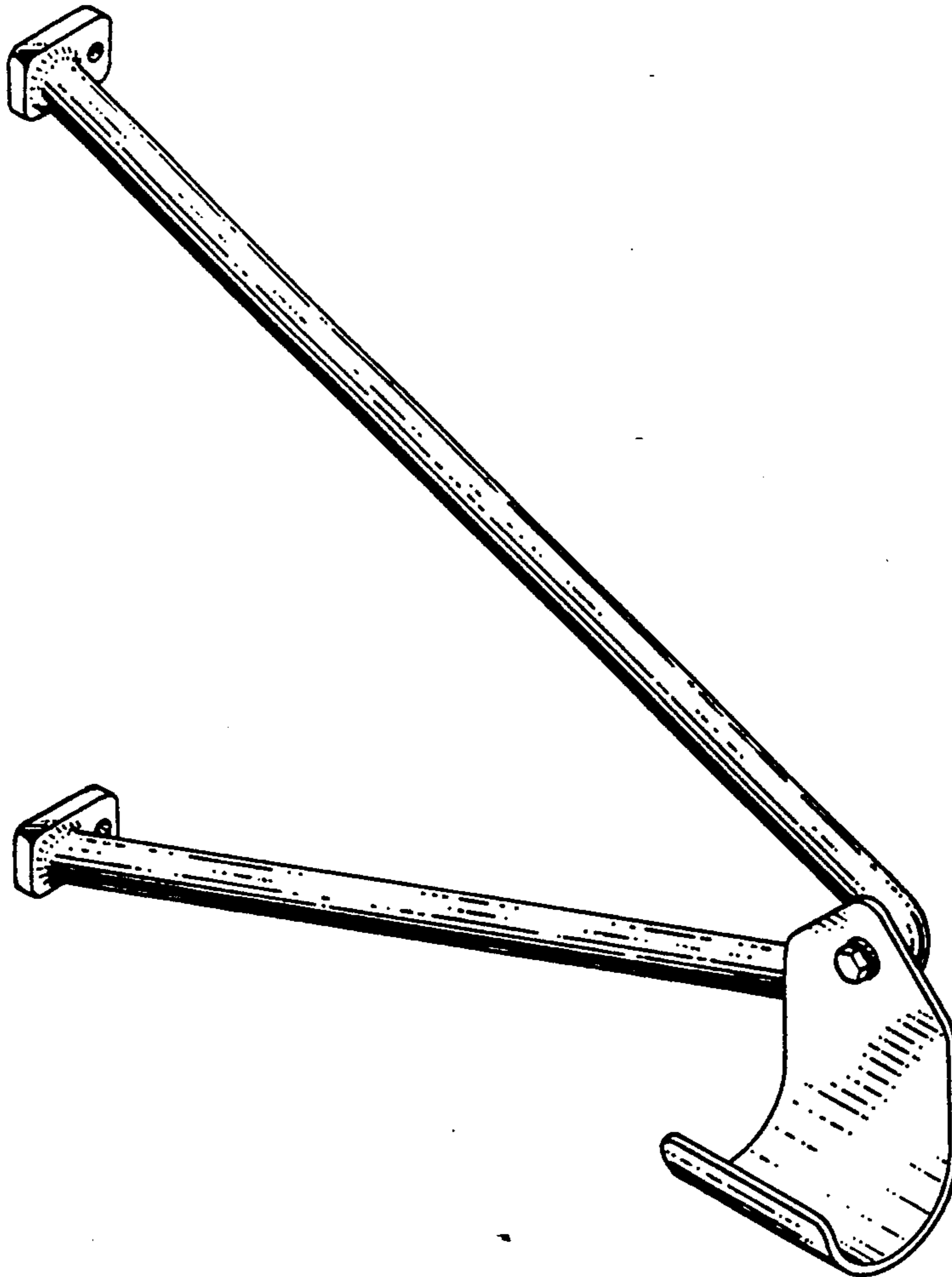
*Primary Examiner*—Wallace R. Burke  
*Assistant Examiner*—Melody Brown  
*Attorney, Agent, or Firm*—Kelly Bauersfeld & Lowry

[57] **CLAIM**

The ornamental design for a bicycle rack, as shown and described.

**DESCRIPTION**

FIG. 1 is a side perspective view of a bicycle rack showing my new design;  
FIG. 2 is a front elevational view thereof on a reduced scale;  
FIG. 3 is a rear elevational view thereof on a reduced scale;  
FIG. 4 is a left side elevational view thereof on a reduced scale;  
FIG. 5 is a right side elevational view thereof on a reduced scale;  
FIG. 6 is a top plan view thereof on a reduced scale;  
FIG. 7 is a bottom plan view thereof on a reduced scale;  
and,  
FIG. 8 is a right side perspective view thereof, on greater reduced scale, it being understood that the broken lines are for illustrative purposes only and form no part of the claimed design.



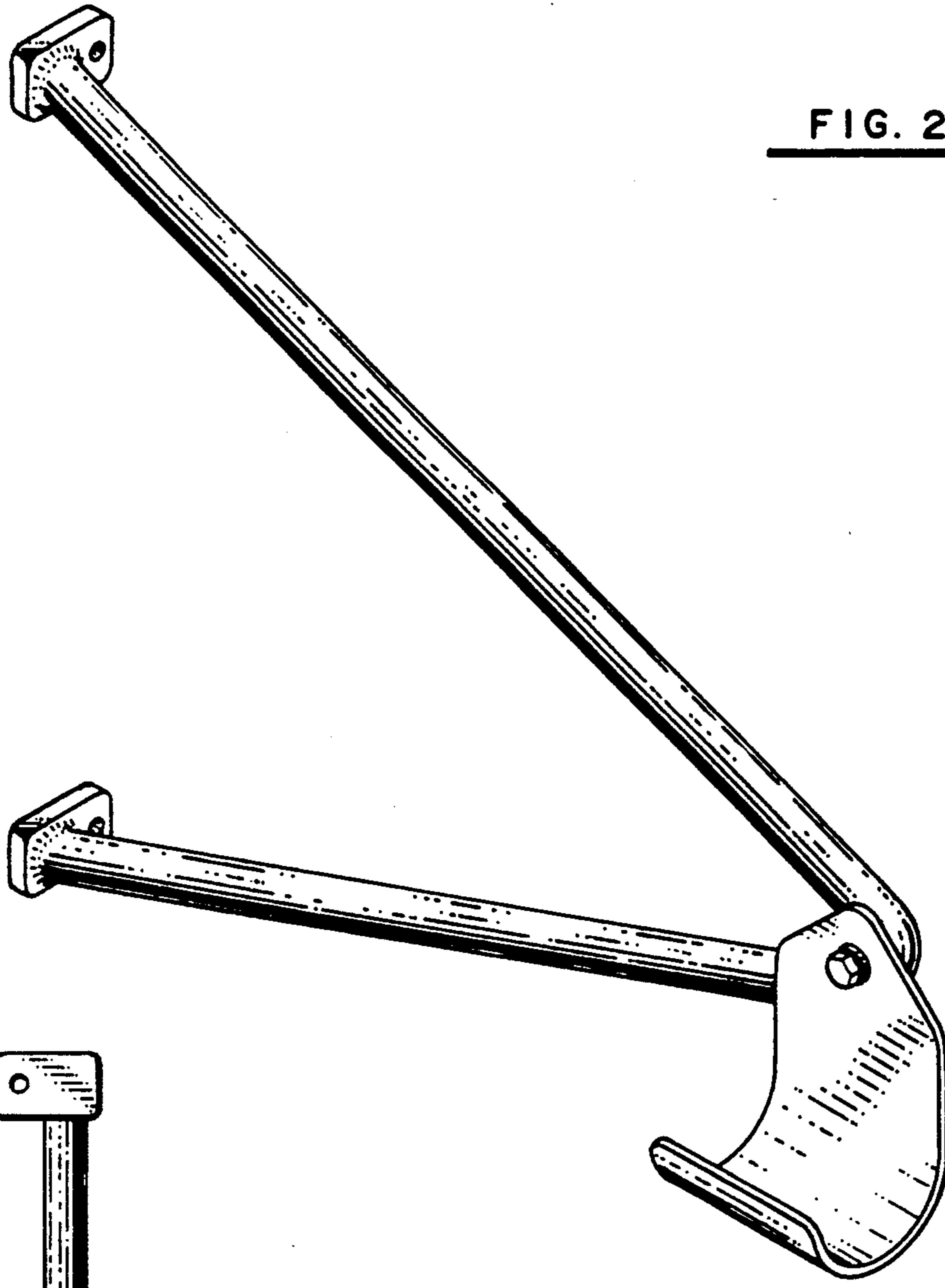


FIG. 1

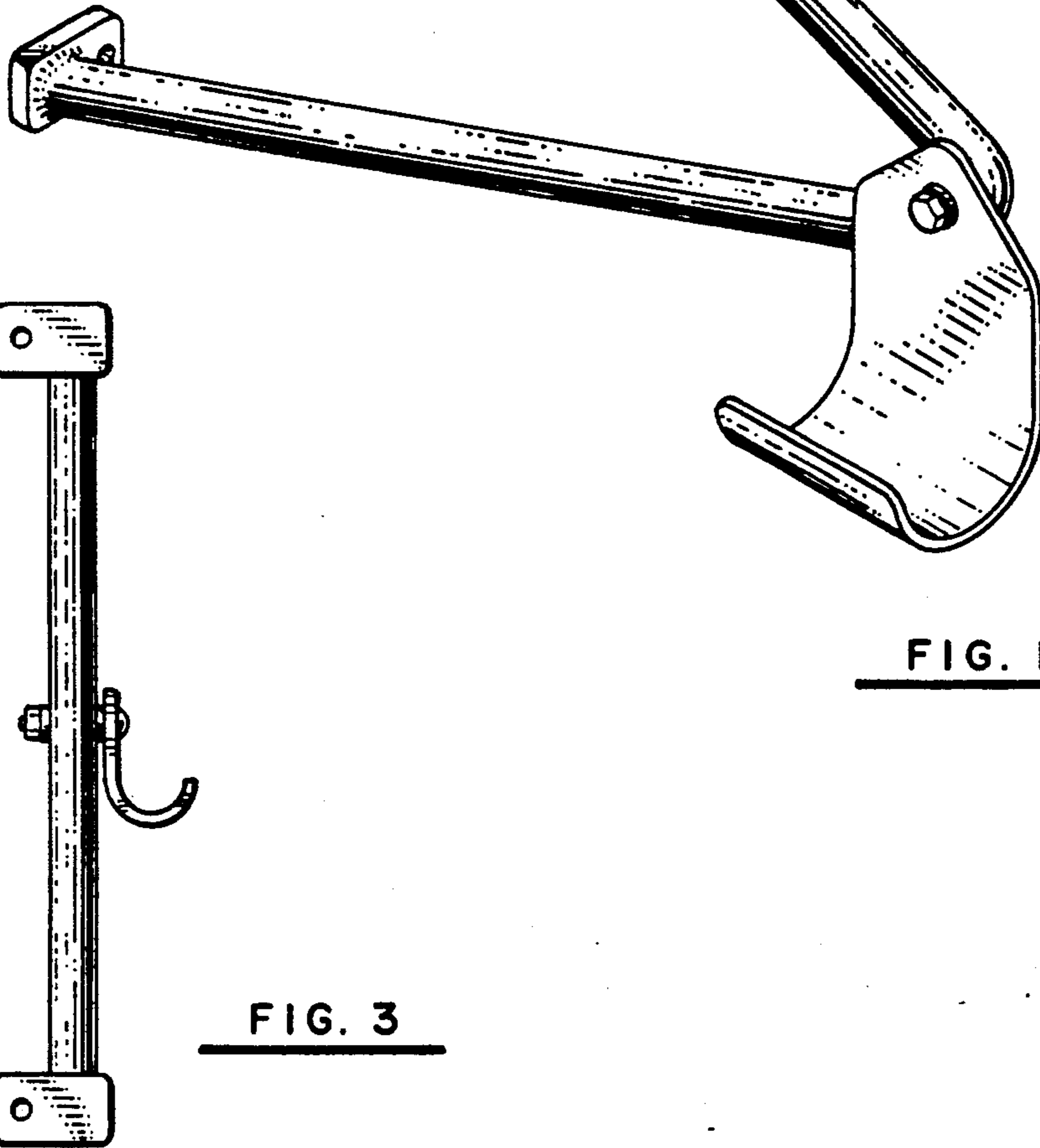


FIG. 2

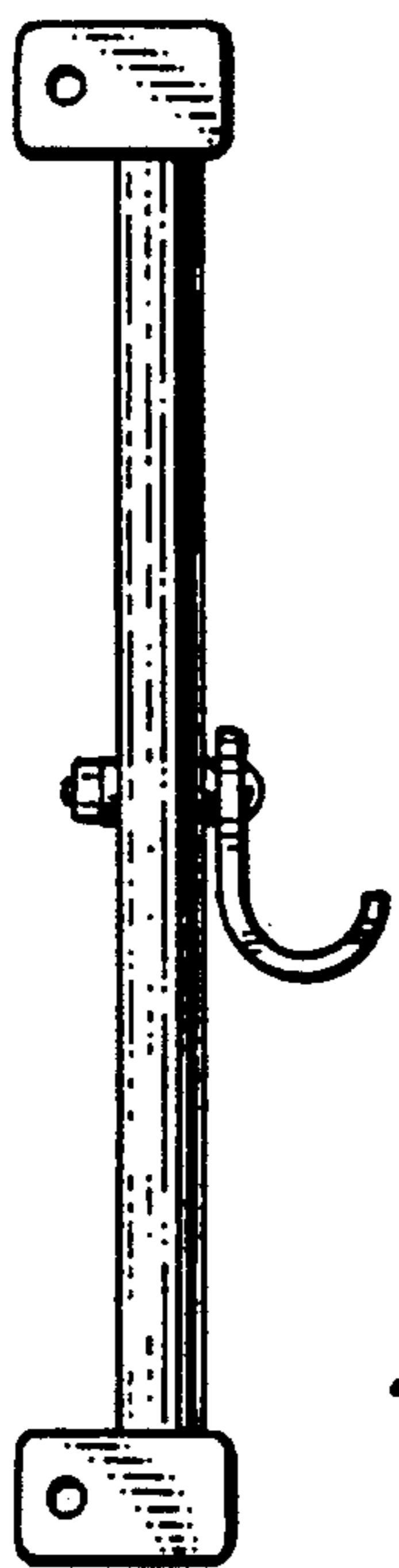
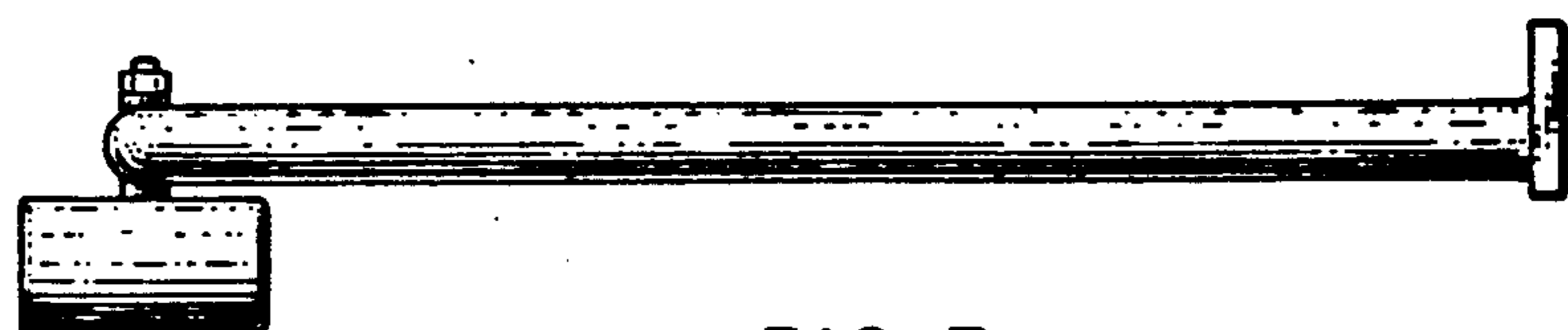
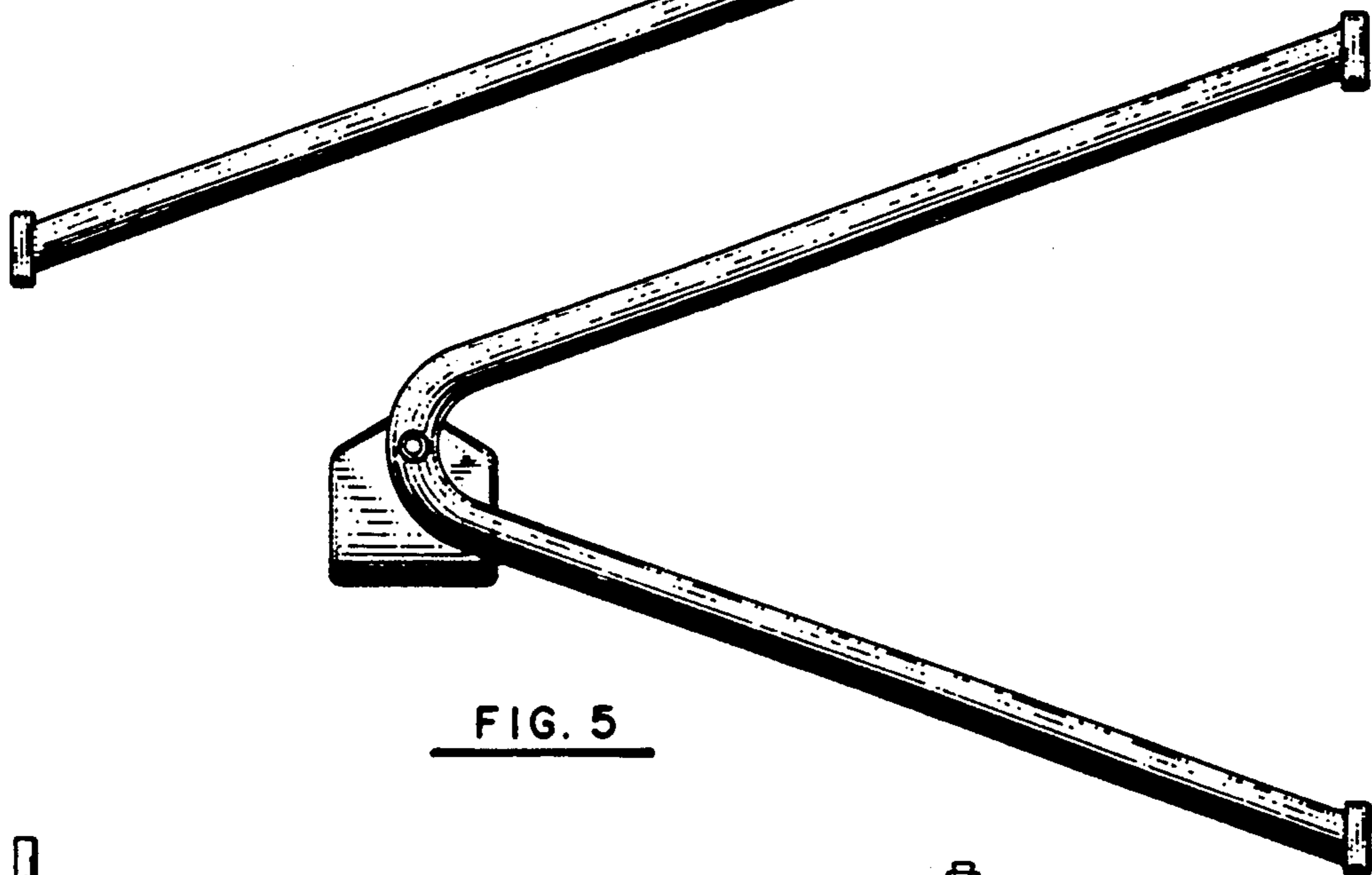
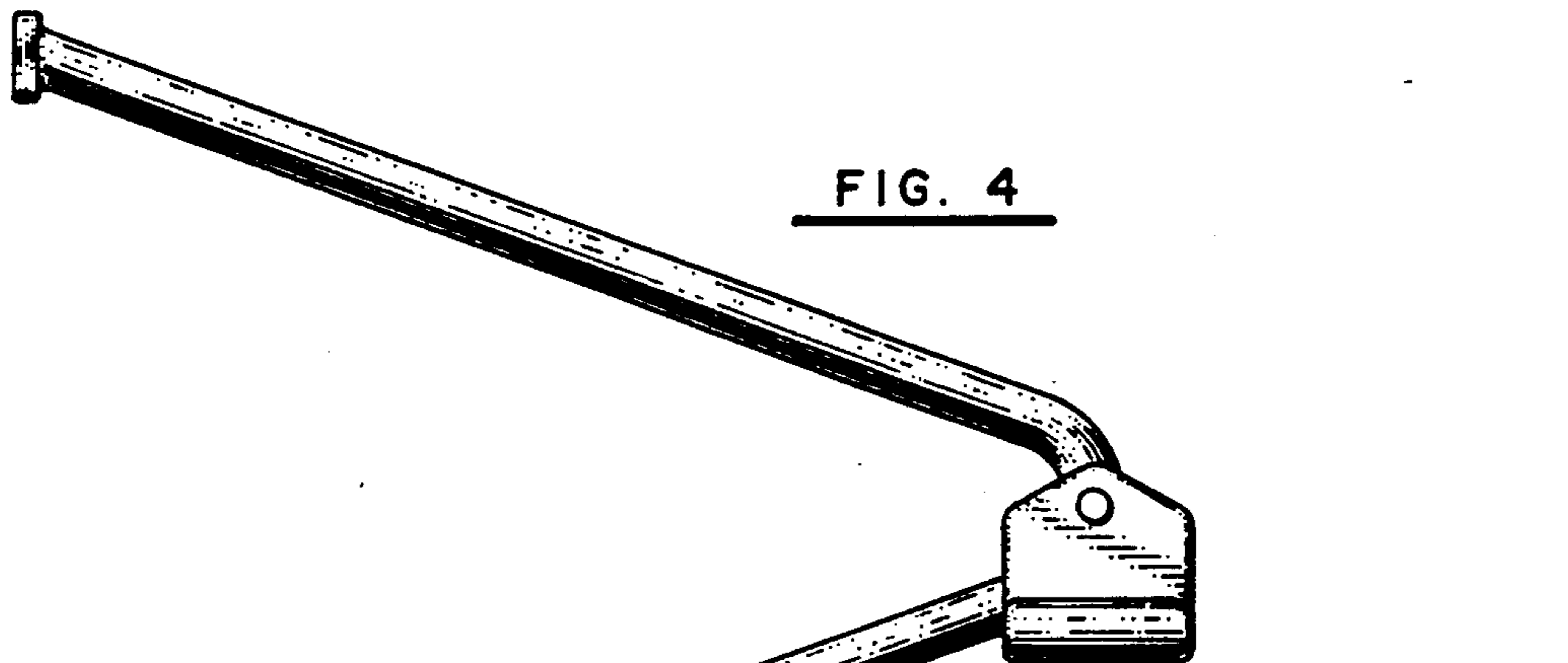
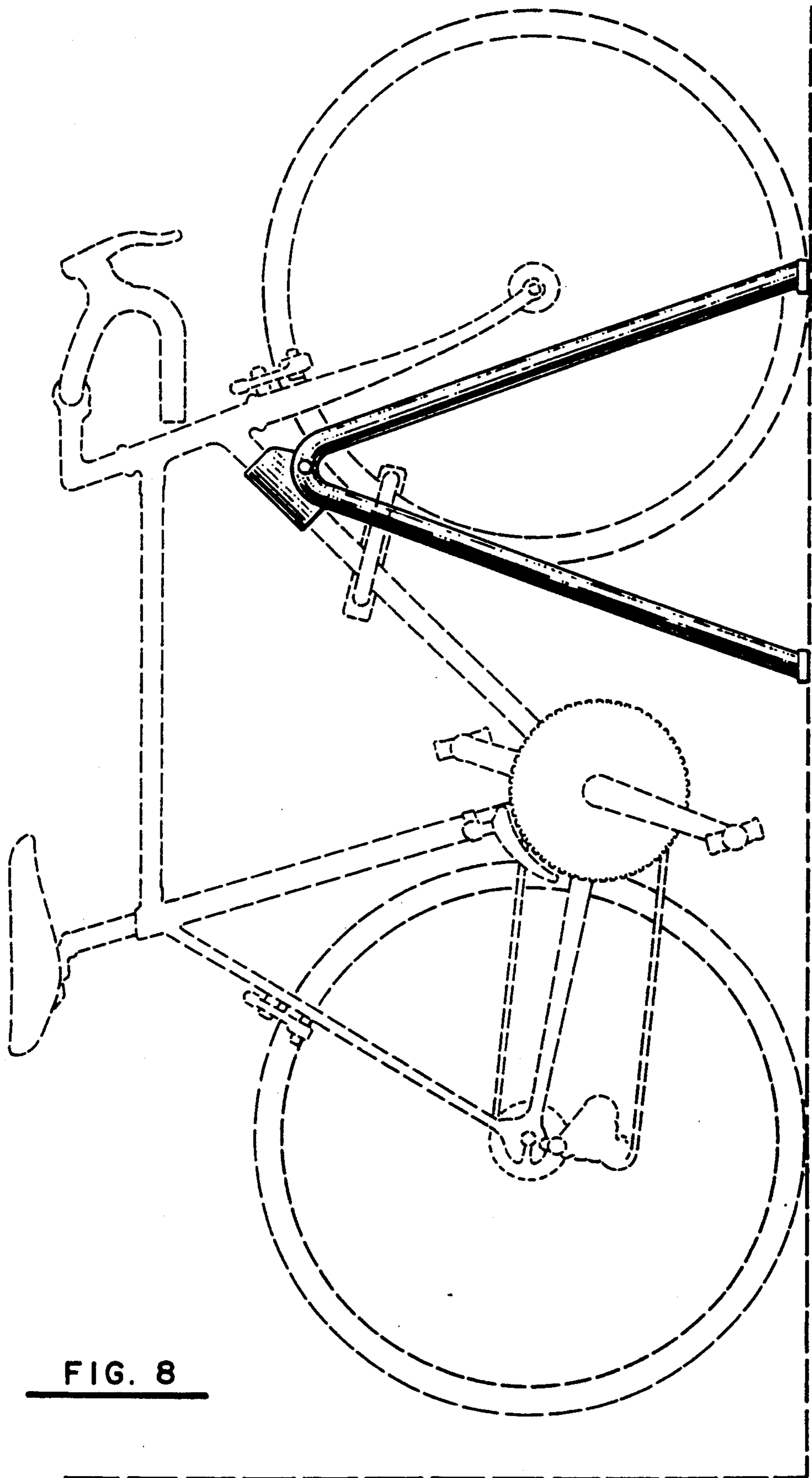


FIG. 3





**FIG. 8**