



US00D331732S

United States Patent [19]

[11] Patent Number: **Des. 331,732**

Bolduc

[45] Date of Patent: **** Dec. 15, 1992**

[54] **PICKUP TRUCK**

[76] Inventor: **Robert E. Bolduc**, Rte. 1, Box 24A
Davis Rd., Old Fort, Tenn. 37362

[**] Term: **14 Years**

[21] Appl. No.: **524,812**

[22] Filed: **May 17, 1990**

[52] U.S. Cl. **D12/98**

[58] Field of Search **D12/98; 296/193**

[56] **References Cited**

U.S. PATENT DOCUMENTS

- D. 316,987 5/1991 Machida et al. D12/98
- 4,599,780 7/1986 Rohrbacher 296/183

OTHER PUBLICATIONS

1974 Dodge Pickup Models Brochure, p. 3, Dodge Club Cab Pickup Truck, bottom of page.

R. V. Dealer, Apr. 1980, p. 55, Kountry Aireland Cruiser Pickup Truck, lower left side of page.
Motor Trend, Dec. 1988, p. 15 of Ford Insert Brochure, Ford Pickup Truck, bottom right side of page.

Primary Examiner—James M. Gandy
Attorney, Agent, or Firm—Richard C. Litman

[57] **CLAIM**

The ornamental design for a pickup truck, as shown and described.

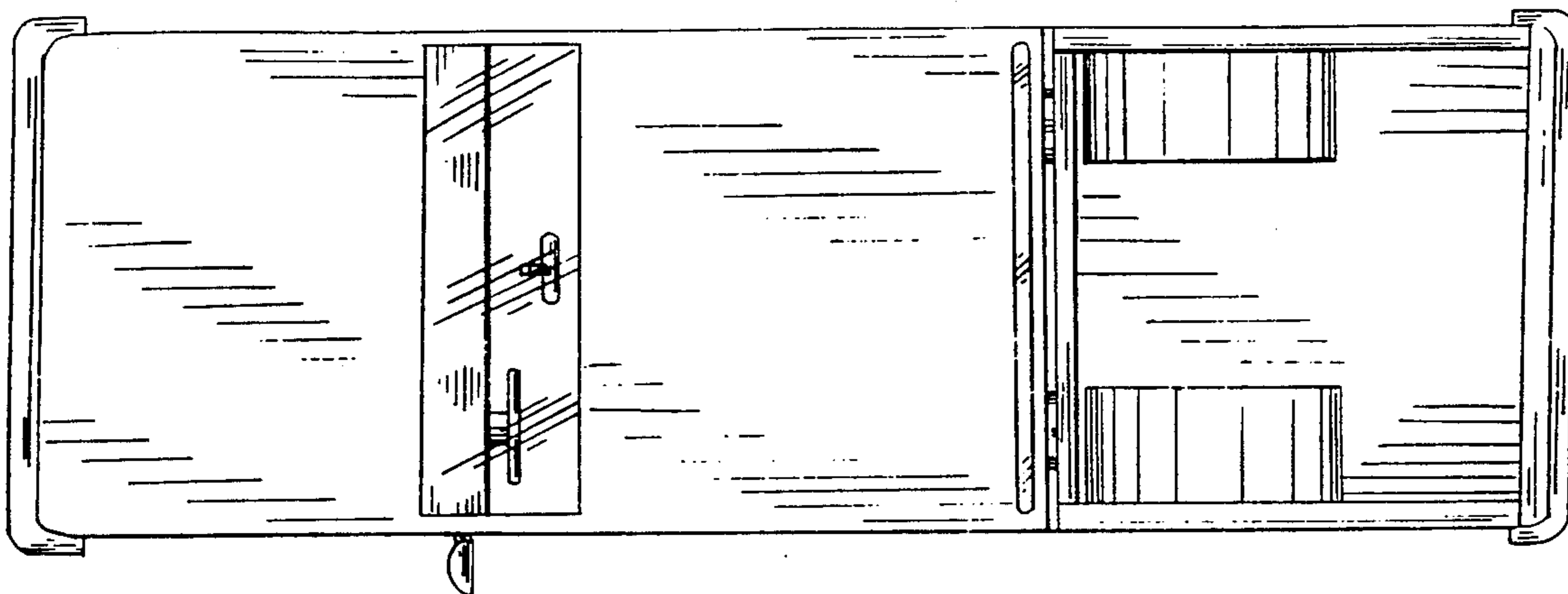
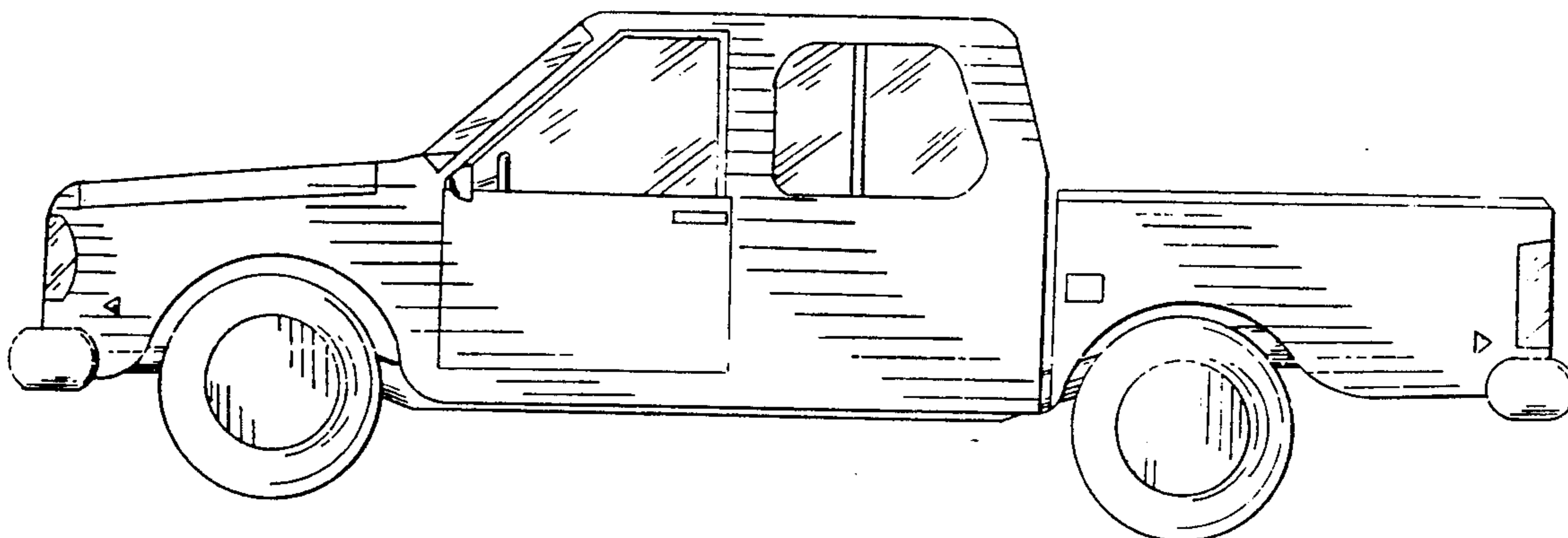
DESCRIPTION

FIG. 1 is a left side elevation view of my new design for a pickup truck, the right side elevation being a mirror image thereof excepting the external mirror on the left side;

FIG. 2 is a rear elevation view thereof;

FIG. 3 is a front elevation view thereof; and,

FIG. 4 is a top plan view thereof.



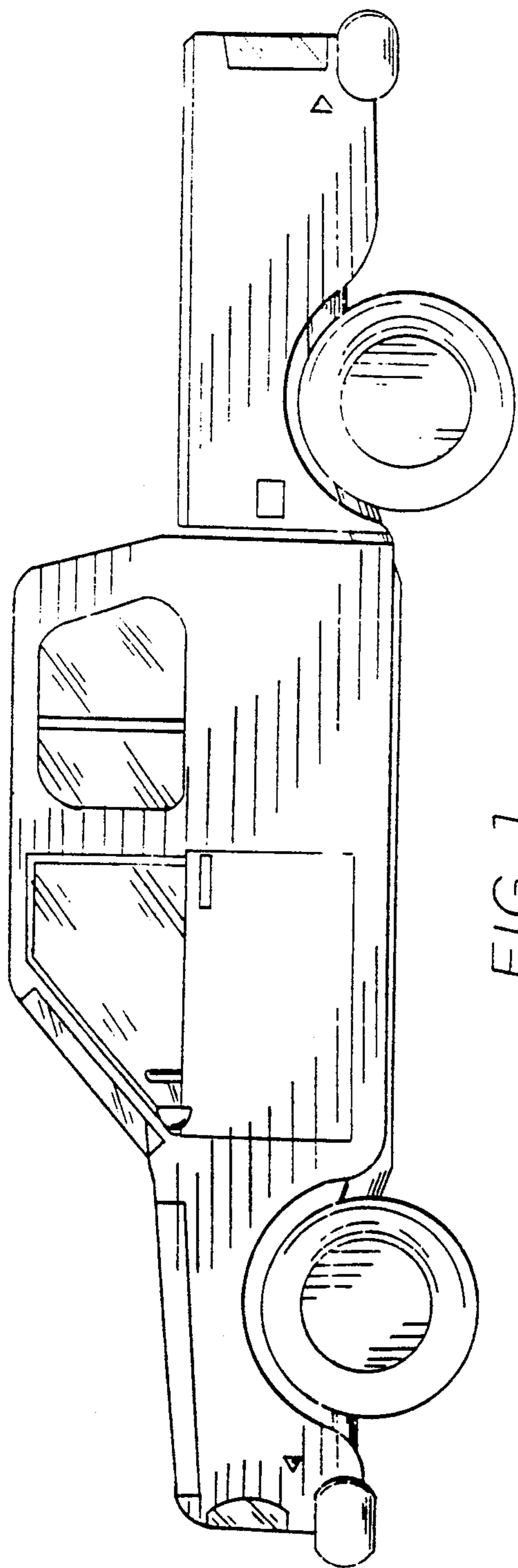


FIG. 1

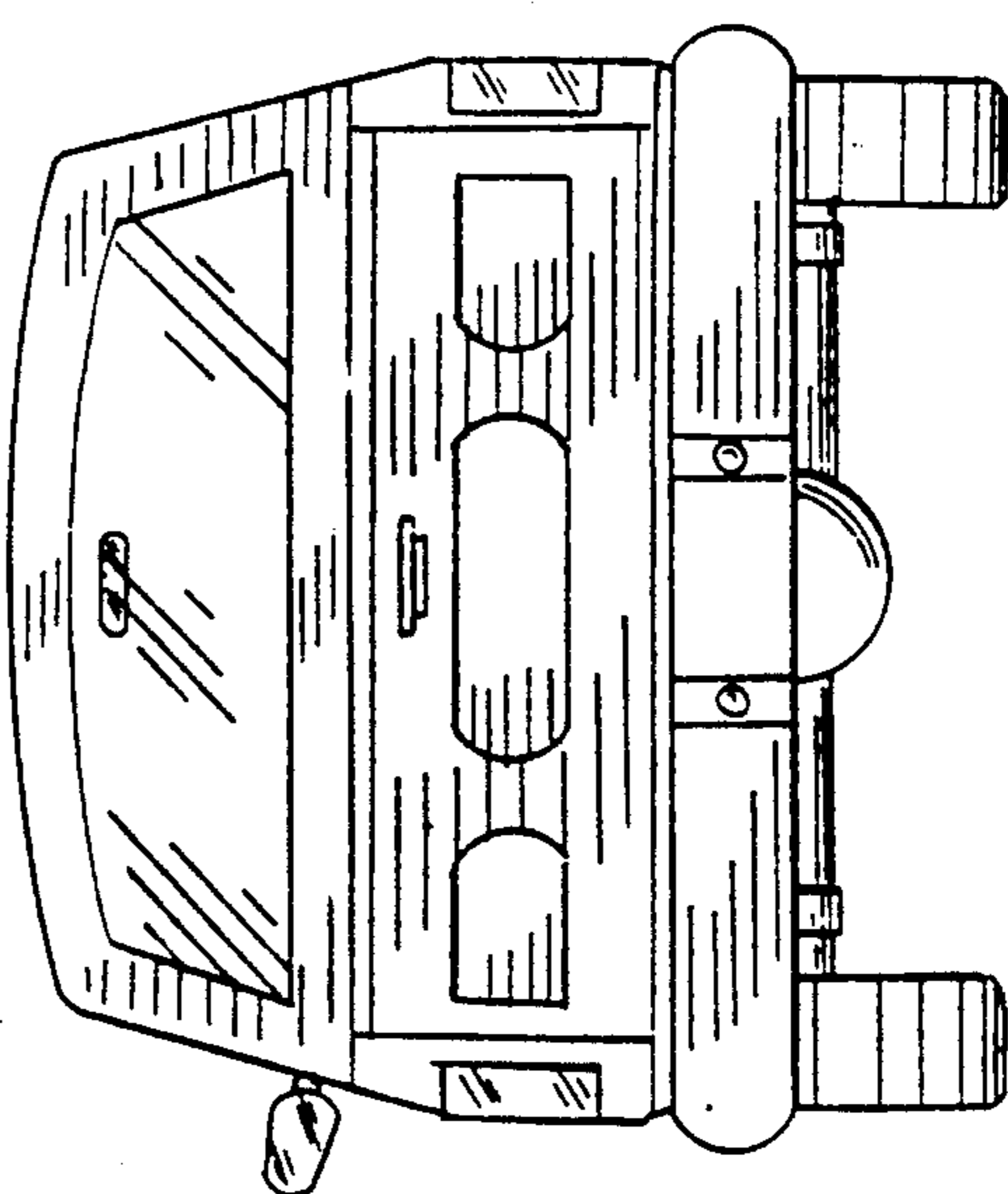


FIG. 2

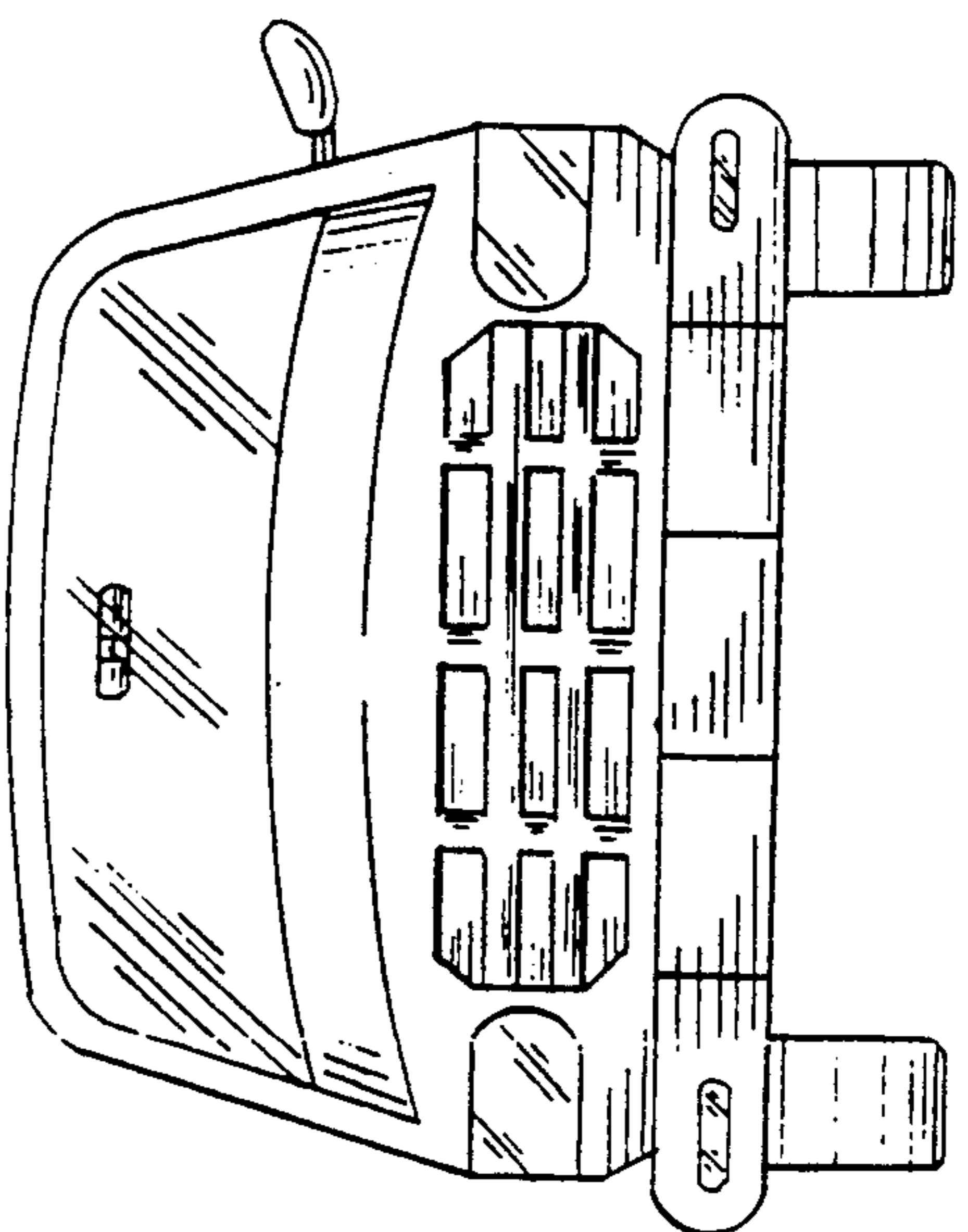


FIG. 3

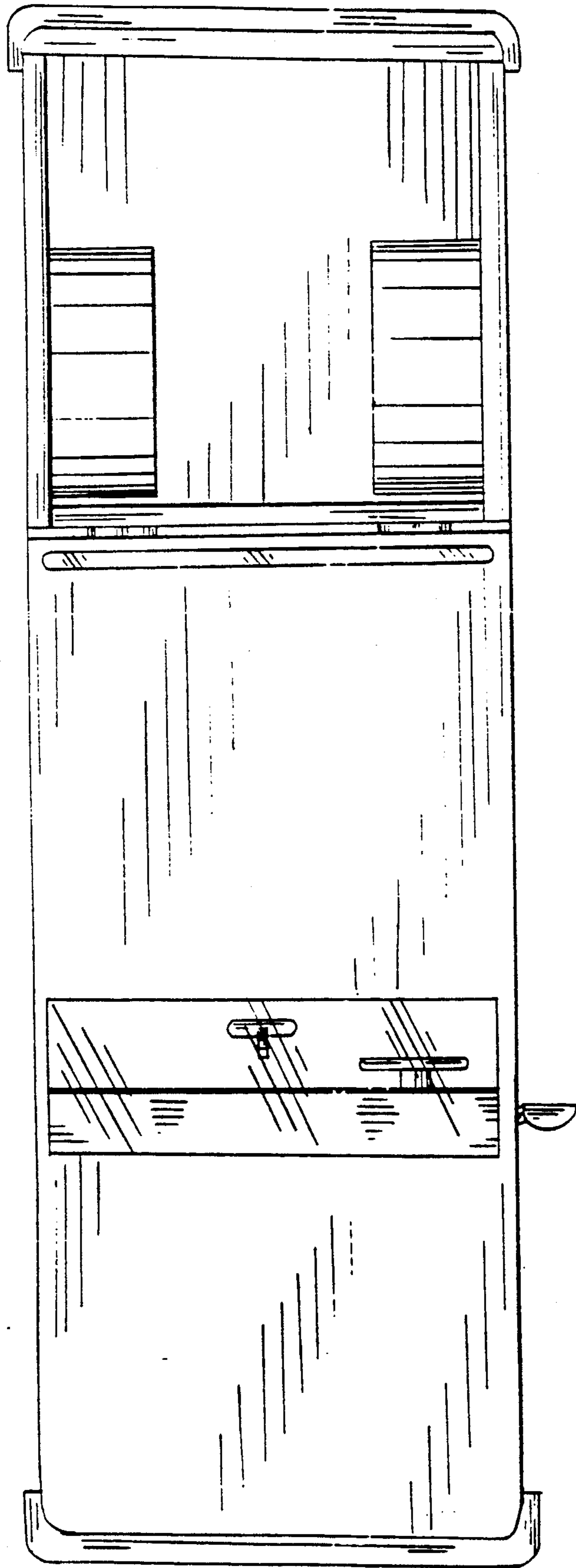


FIG. 4