



US00D331729S

# United States Patent [19]

[11] Patent Number: **Des. 331,729**

Treadway

[45] Date of Patent: **\*\* Dec. 15, 1992**

[54] **MOTOR HOME FRONT PANEL UNIT EXTERIOR SURFACE**

[75] Inventor: **Patrick P. Treadway**, Ontario, Calif.

[73] Assignee: **Fleetwood Enterprises, Inc.**,  
Riverside, Calif.

[\*\*] Term: **14 Years**

[21] Appl. No.: **773,310**

[22] Filed: **Oct. 9, 1991**

[52] U.S. Cl. .... **D12/100; D12/196**

[58] Field of Search ..... **D12/100, 196; 296/156,**  
**296/164, 194, 195**

[56] **References Cited**

**U.S. PATENT DOCUMENTS**

- D. 319,616 9/1991 Thompson et al. .... D12/196
- D. 320,584 10/1991 Partin ..... D12/100
- D. 320,960 10/1991 Shea, Sr. .... D12/100

*Primary Examiner*—James M. Gandy

*Attorney, Agent, or Firm*—Price, Gess & Ubell

[57] **CLAIM**

The ornamental design for a motor home front panel unit exterior surface, as shown and described.

**DESCRIPTION**

FIG. 1 is a front side perspective view of the motor home front panel unit exterior surface showing the new design;

FIG. 2 is a front elevational view thereof on a reduced scale;

FIG. 3 is a left side elevational view thereof on a reduced scale;

FIG. 4 is a right side elevational view thereof on a reduced scale;

FIG. 5 is a top plan view thereof on a reduced scale; and,

FIG. 6 is a front, side perspective thereof on a reduced scale it being understood that the broken lines are for illustrative purposes only and form no part of the claimed design.

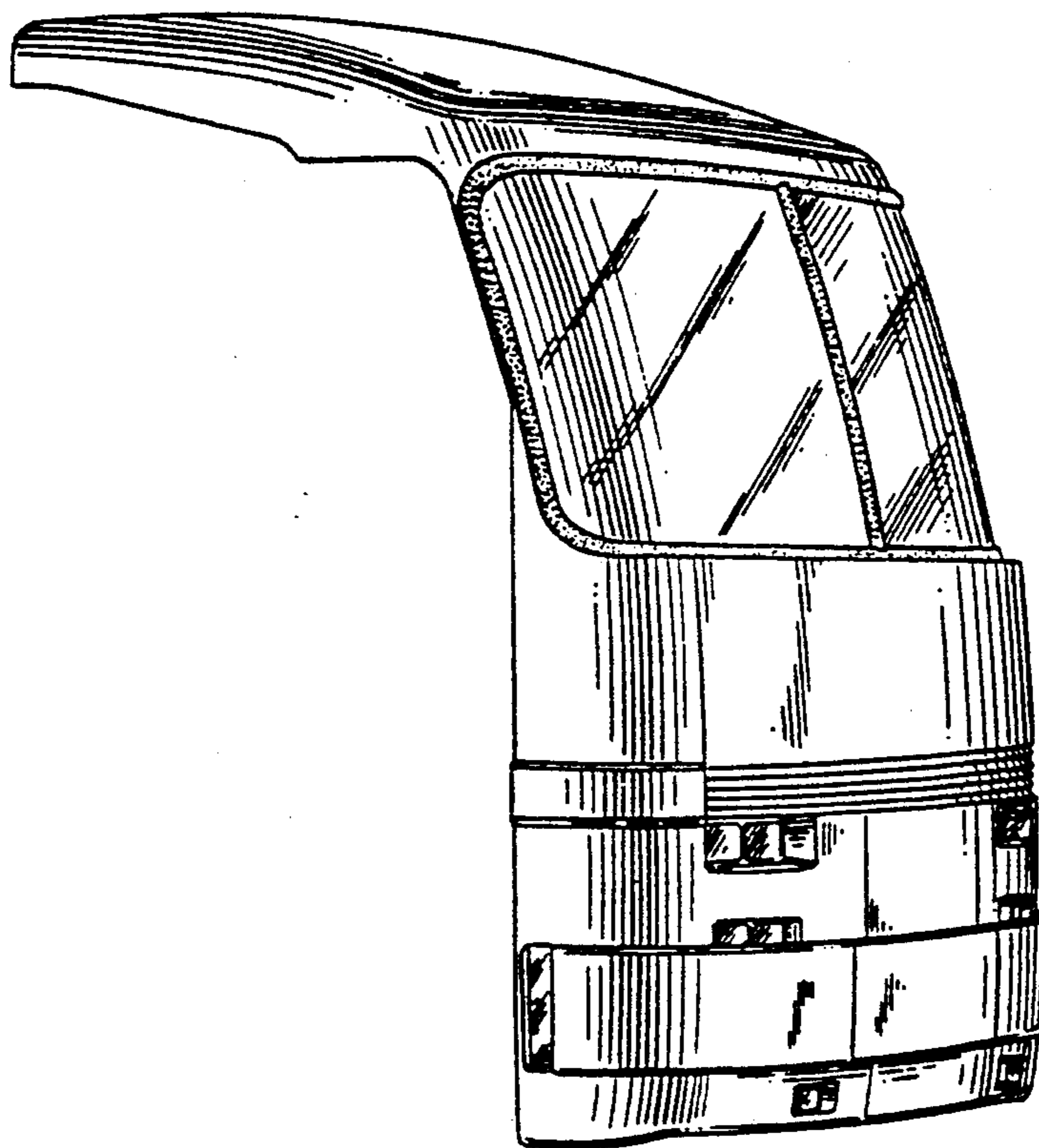


FIG. 1

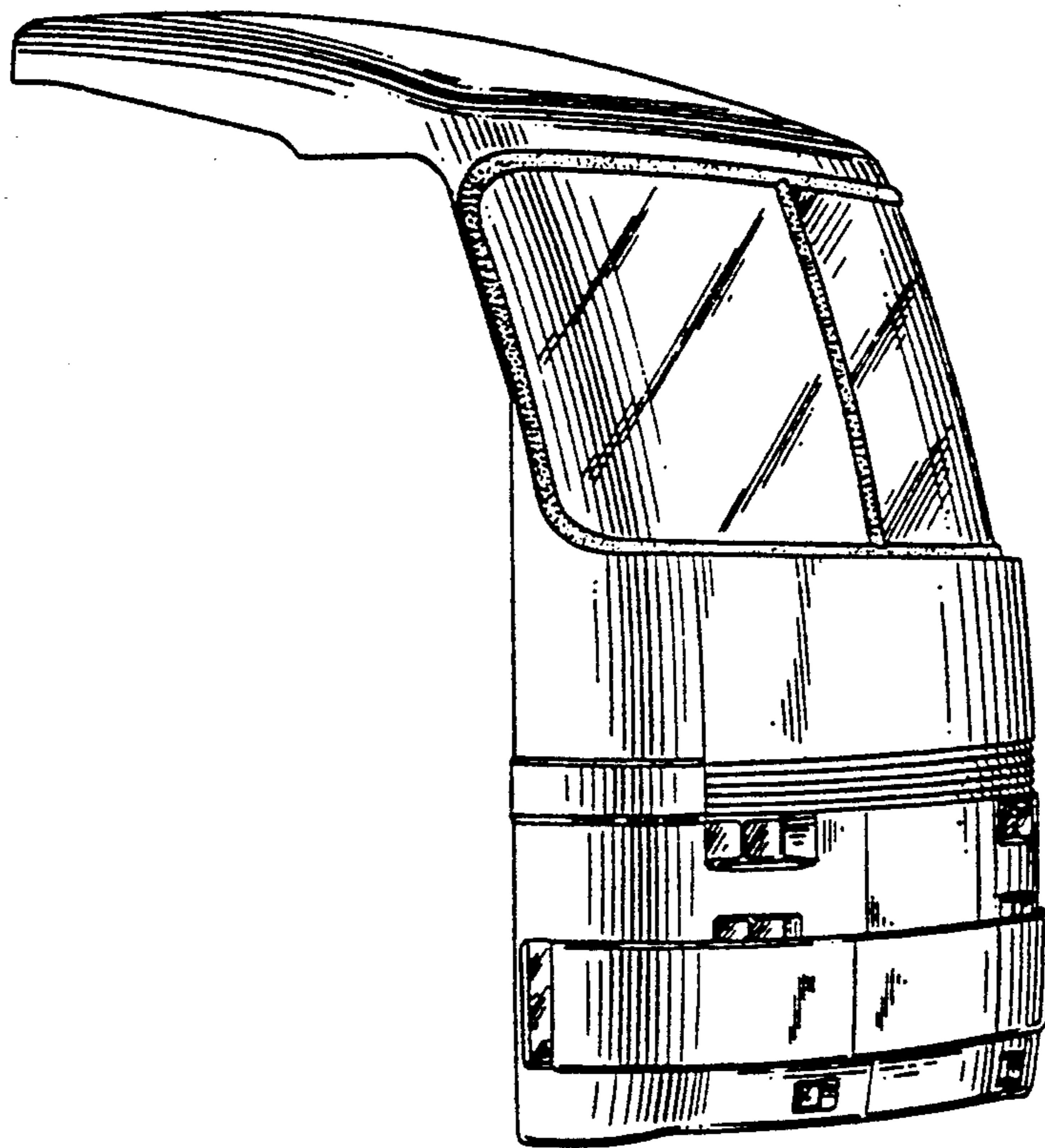


FIG. 2

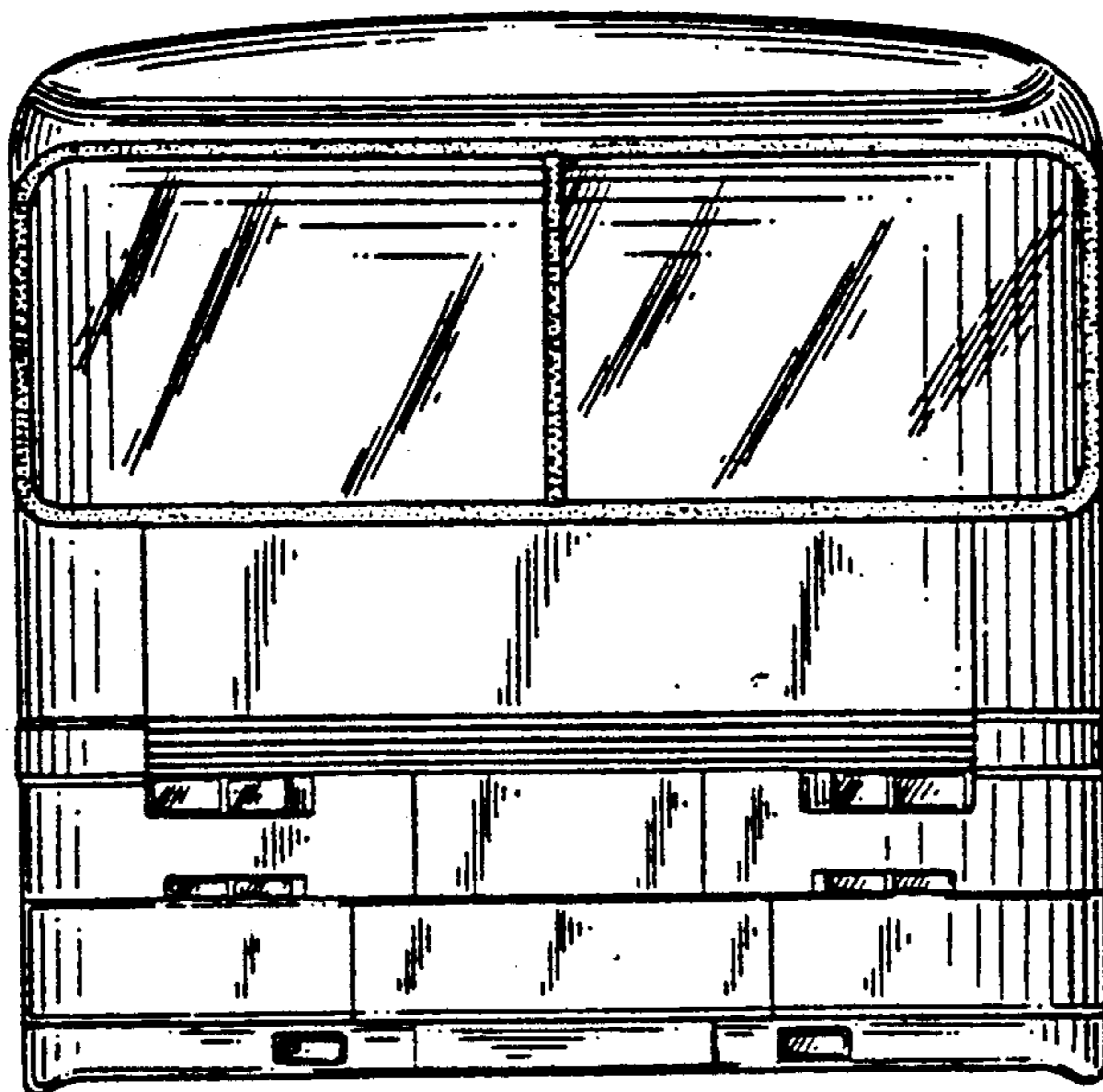


FIG. 3

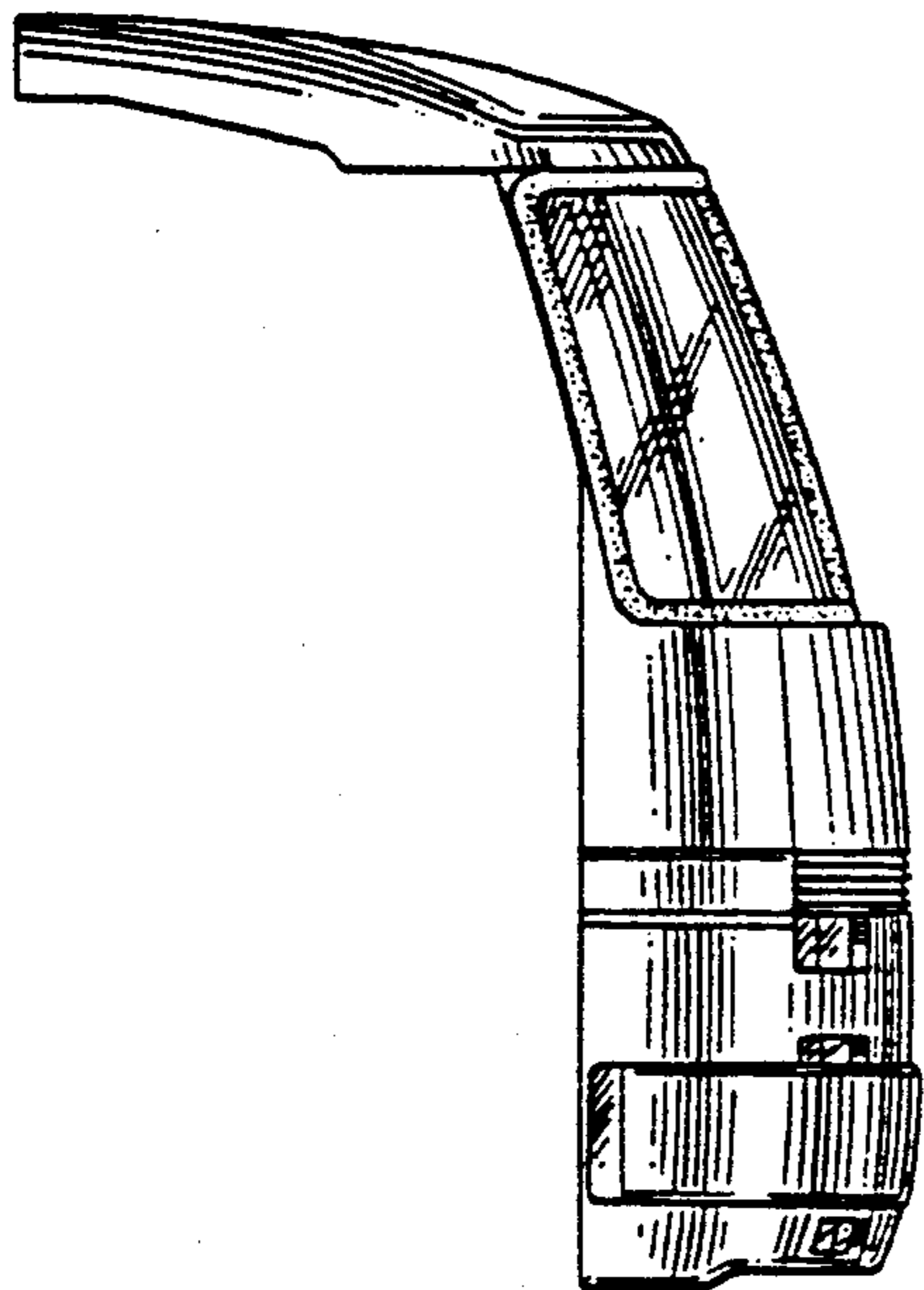


FIG. 4

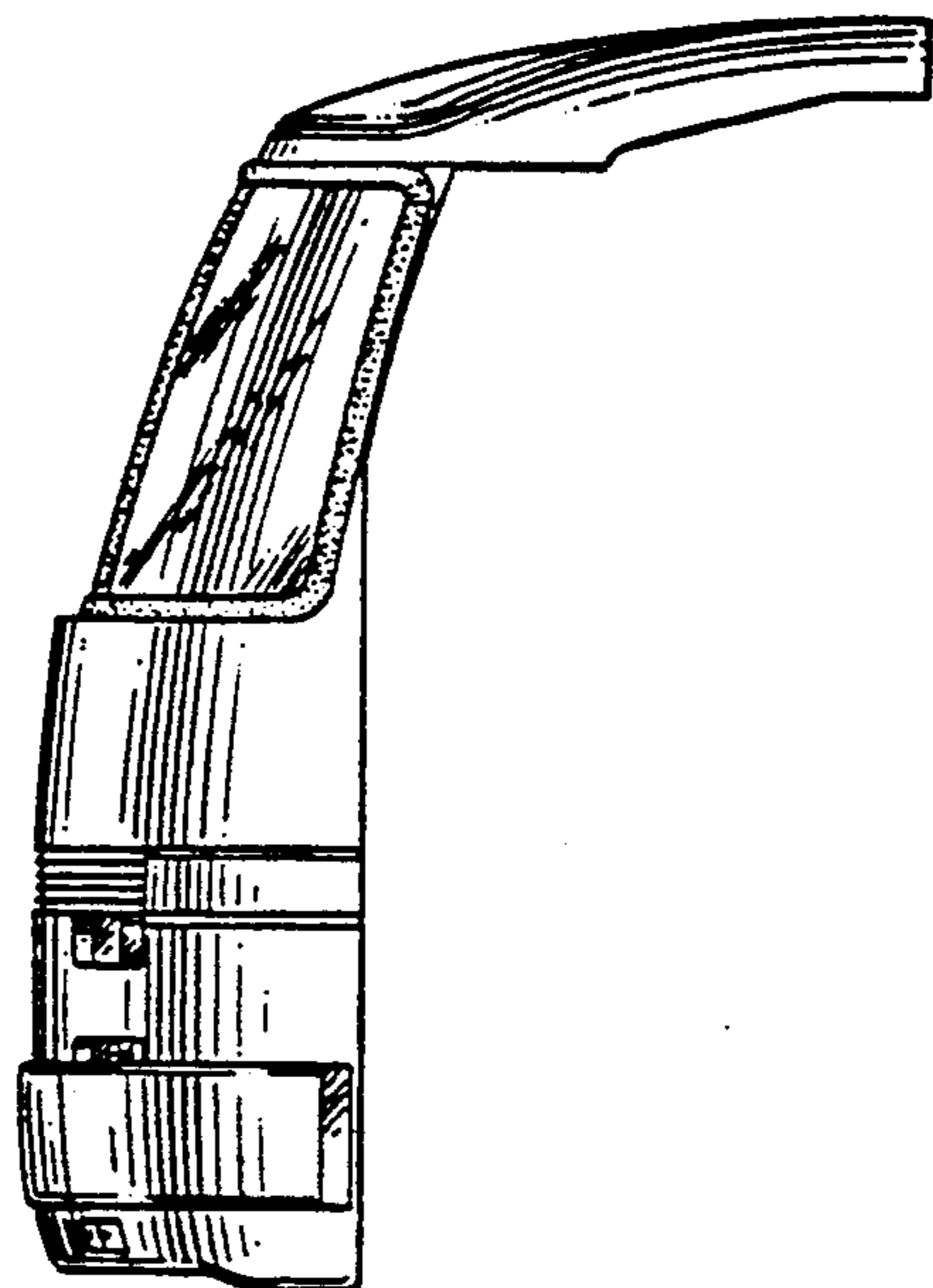
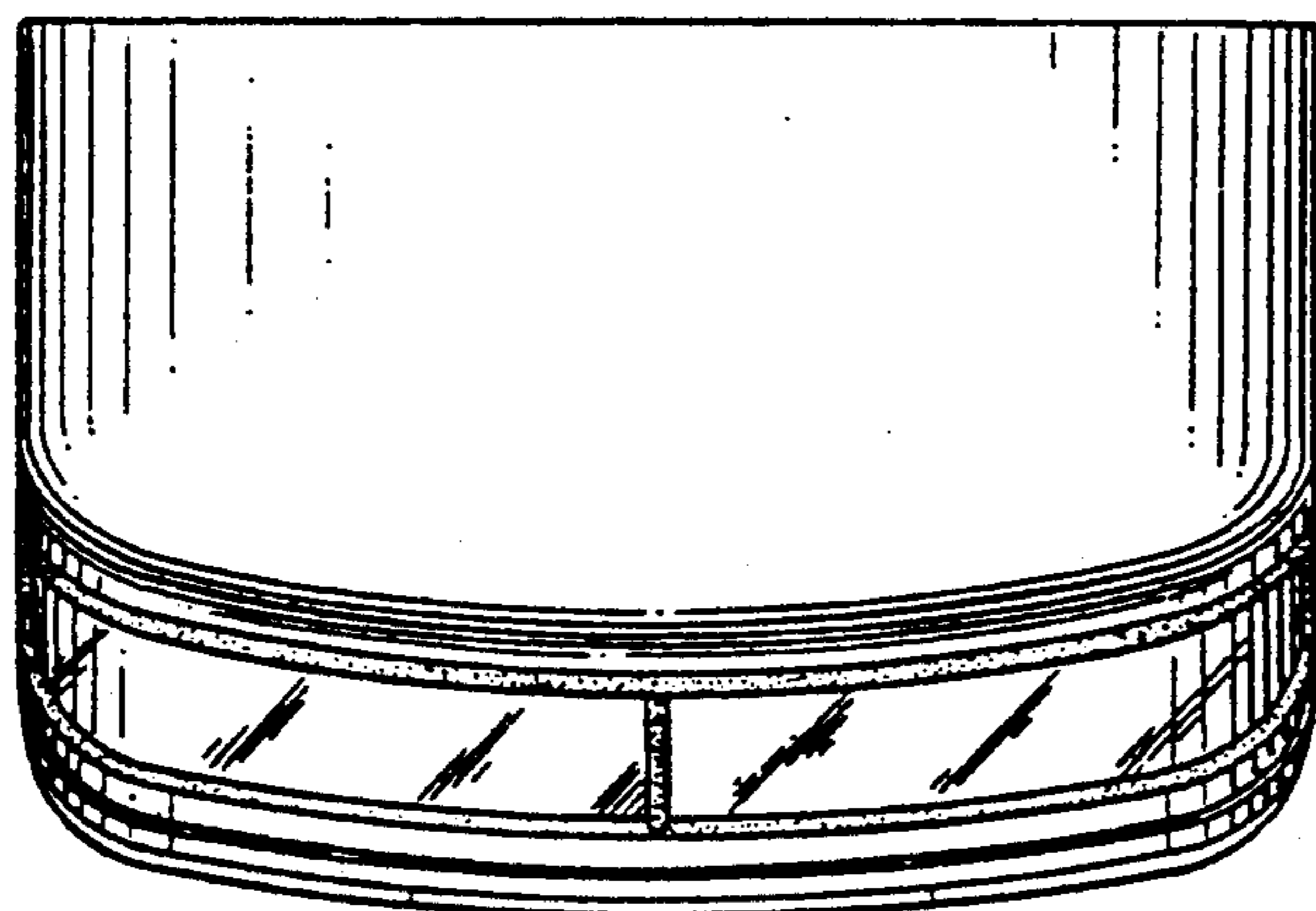


FIG. 5



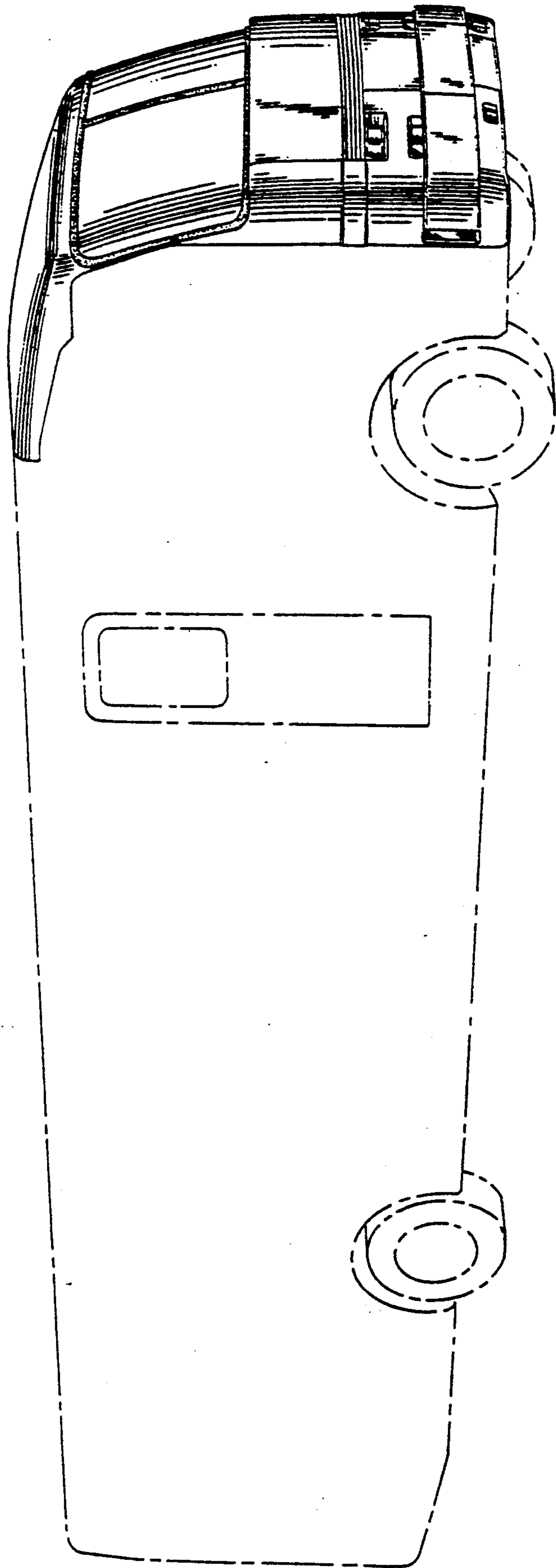


FIG. 6