



US00D331725S

# United States Patent [19]

[11] Patent Number: **Des. 331,725**

Mastoloni

[45] Date of Patent: **\*\* Dec. 15, 1992**

[54] **MULTIPLE STRAND JEWELRY CLASP**

[75] Inventor: **Edward J. Mastoloni, Greenwich, Conn.**

[73] Assignee: **Frank Mastoloni & Sons, Inc., New York, N.Y.**

[\*\*] Term: **14 Years**

[21] Appl. No.: **467,230**

[22] Filed: **Jan. 19, 1990**

[52] U.S. Cl. .... **D11/87; D11/11; 59/80; 63/4**

[58] Field of Search ..... **D11/1-25, D11/86-94; 63/1.1-4, 7; 24/616, 618, 116 A; 59/80**

[56] **References Cited**

**U.S. PATENT DOCUMENTS**

2,529,058	11/1950	Tell et al. ....	63/2
2,539,777	1/1951	Grassmann, Sr. ....	59/80
2,644,992	7/1953	McFarland ....	24/116 A
2,893,095	7/1959	Dohn ....	63/3
3,105,390	10/1963	Funke et al. ....	63/1.1

3,135,031	6/1964	Brosse .....	63/1.1
3,247,561	4/1966	Speranza et al. ....	D11/11
4,527,316	7/1985	Murphy .....	63/4
4,549,411	10/1985	Ivey .....	63/2
4,628,708	12/1986	Ivey .....	63/2
4,651,541	3/1987	Farley .....	63/2

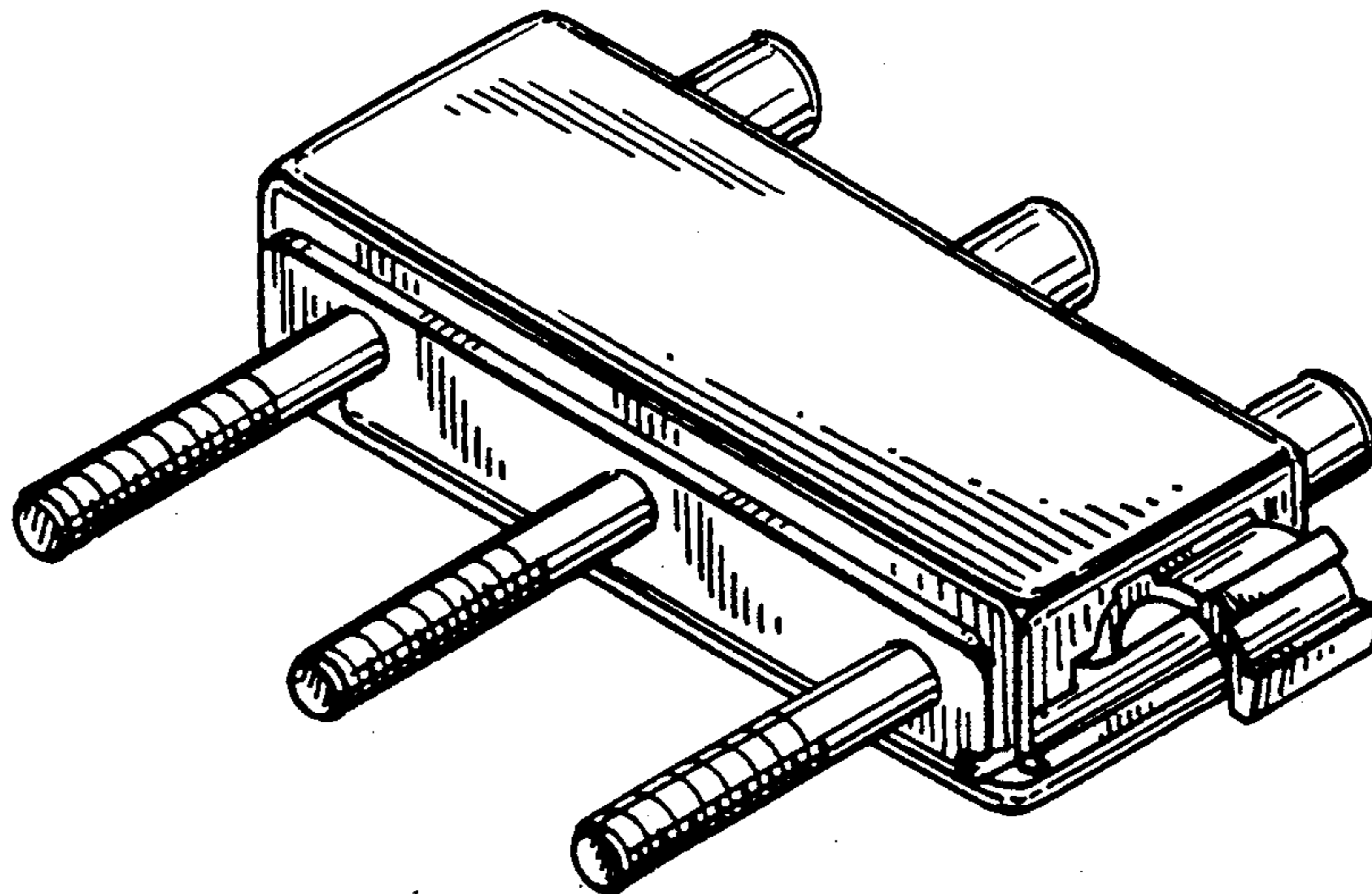
*Primary Examiner*—A. Hugo Word  
*Assistant Examiner*—R. Seifert  
*Attorney, Agent, or Firm*—Kirschstein, Ottinger, Israel & Schiffmiller

[57] **CLAIM**

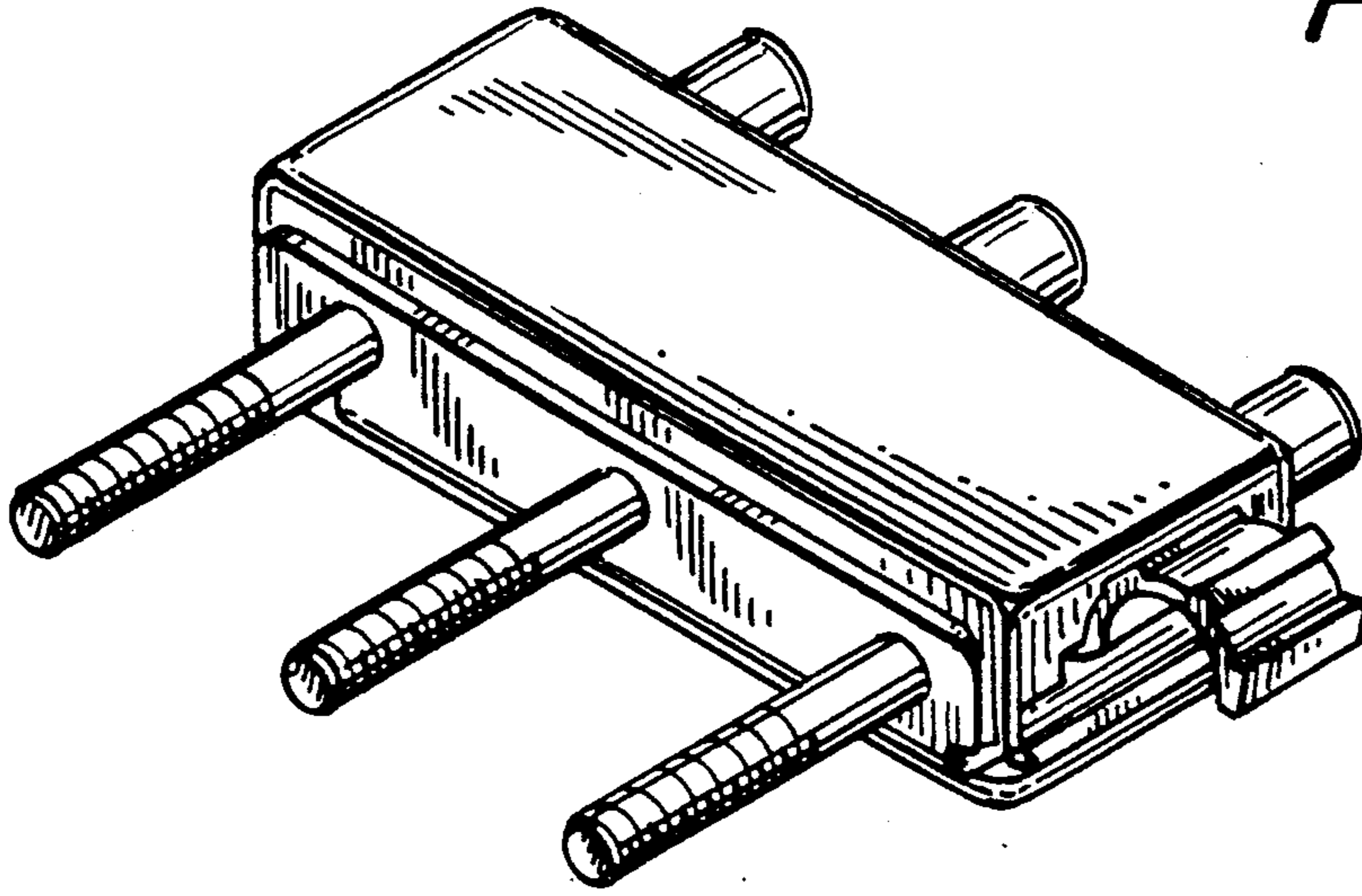
The ornamental design for a multiple strand jewelry clasp, as shown.

**DESCRIPTION**

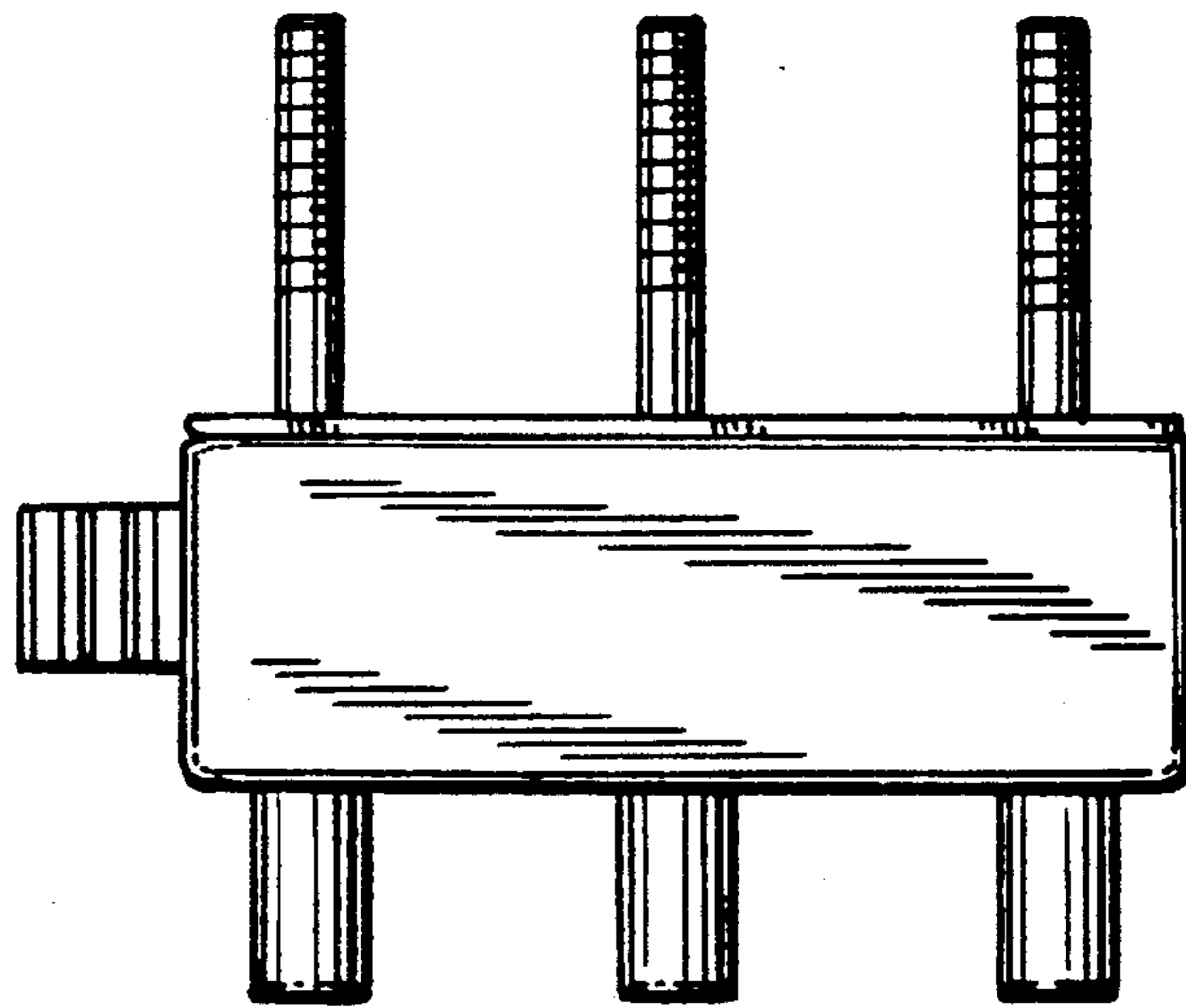
FIG. 1 is a top, front and left side perspective view of a multiple strand jewelry clasp showing my new design; FIG. 2 is a top plan view thereof; FIG. 3 is a rear elevational view thereof; FIG. 4 is a right side elevational view thereof; FIG. 5 is a front elevational view thereof; FIG. 6 is a left side elevational view thereof; and, FIG. 7 is a bottom plan view thereof.



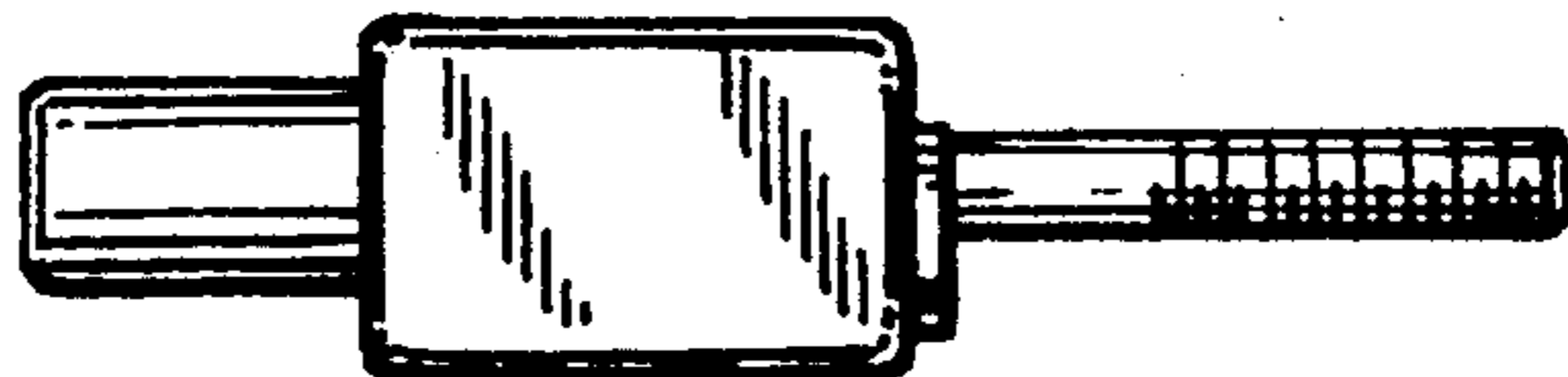
*FIG. 1*



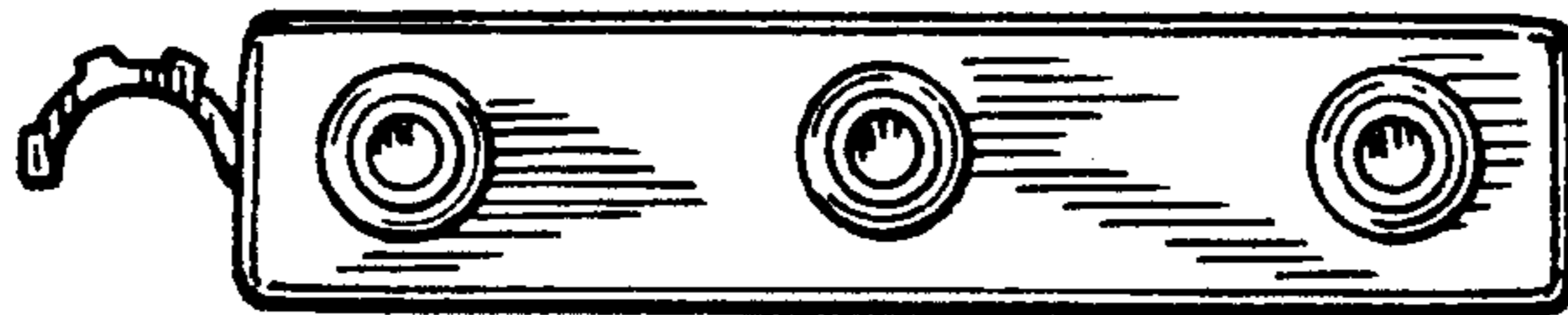
*FIG. 2*



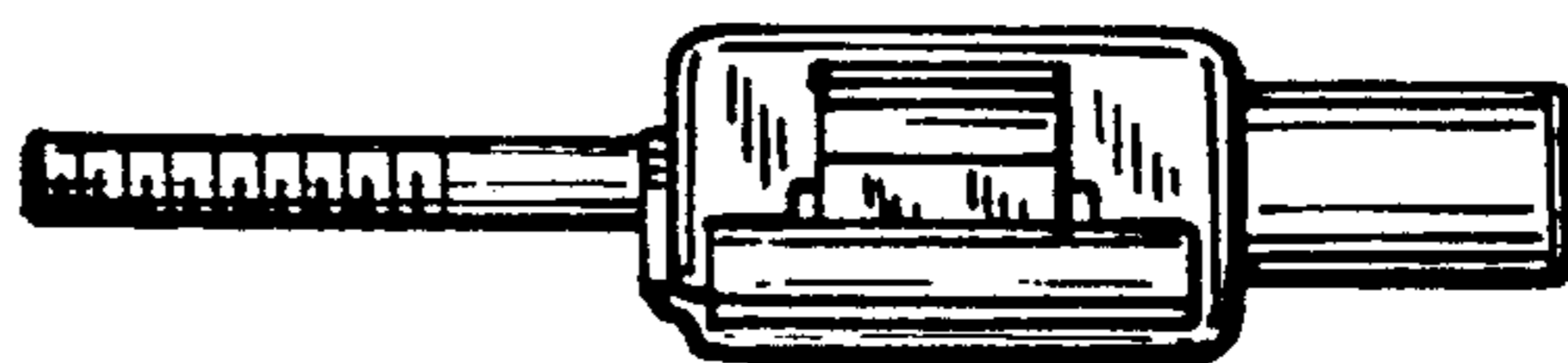
*FIG. 3*



*FIG. 4*



*FIG. 5*



*FIG. 6*



*FIG. 7*

