



US00D331719S

# United States Patent [19]

Ackerman et al.

[11] Patent Number: **Des. 331,719**

[45] Date of Patent: **\*\* Dec. 15, 1992**

[54] **HAND-HELD ELECTRONIC ALARM**

[75] Inventors: **Roger C. Ackerman**, 28241 Crown Valley Pkwy., #414, Laguna Niguel, Calif. 92677; **Eric H. Dennison**, Laguna Hills, Calif.

[73] Assignee: **Roger C. Ackerman**, Laguna Niguel, Calif.

[\*\*] Term: **14 Years**

[21] Appl. No.: **706,748**

[22] Filed: **May 29, 1991**

[52] U.S. Cl. .... **D10/116; D10/106; D10/120**

[58] Field of Search ..... **D10/104, 106, 121, 119, D10/116, 118; D26/28; 340/540, 546, 549, 551, 552, 556, 561, 571, 572, 573, 574**

[56] **References Cited**

**U.S. PATENT DOCUMENTS**

D. 251,363 3/1979 Henault et al. .... D10/106

D. 291,421 8/1987 Zance ..... D10/119  
D. 314,243 1/1991 Ueda ..... D26/28  
D. 323,403 1/1992 Sinrod ..... D10/116  
D. 325,357 4/1992 Worthington ..... D10/106  
4,633,232 12/1986 Nelson et al. .... 340/571

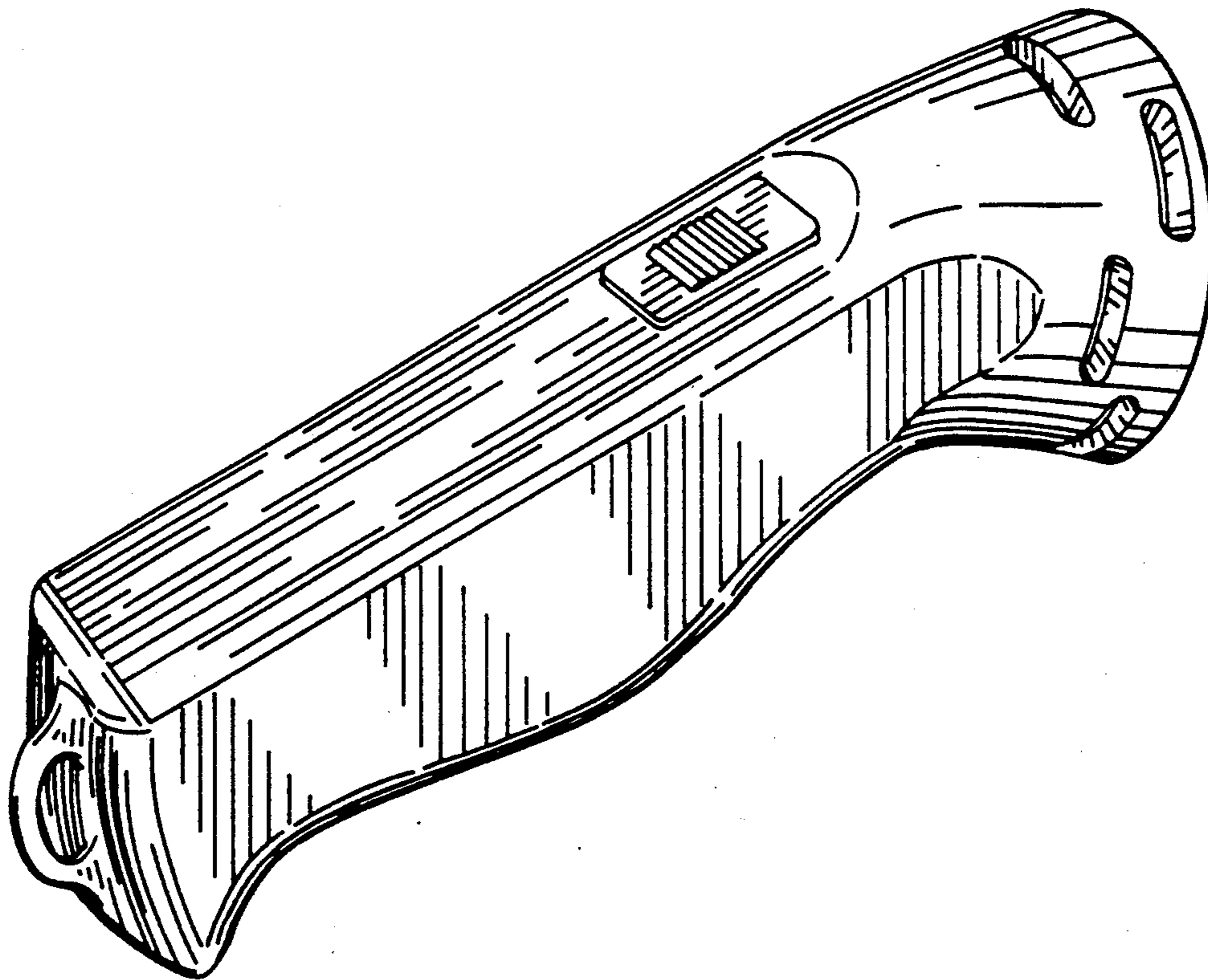
*Primary Examiner*—Wallace R. Burke  
*Assistant Examiner*—Marcus Jackson  
*Attorney, Agent, or Firm*—Hawes & Fischer

[57] **CLAIM**

The ornamental design for a hand-held electronic alarm, as shown and described.

**DESCRIPTION**

FIG. 1 is a top perspective view of a hand-held electronic alarm showing our new design; FIG. 2 is a bottom perspective view thereof; FIG. 3 is a top plan view thereof; FIG. 4 is a bottom plan view thereof; FIG. 5 is a right side elevational view thereof, with the opposite side being a mirror image; FIG. 6 is a front elevational view thereof; and, FIG. 7 is a rear elevational view thereof.



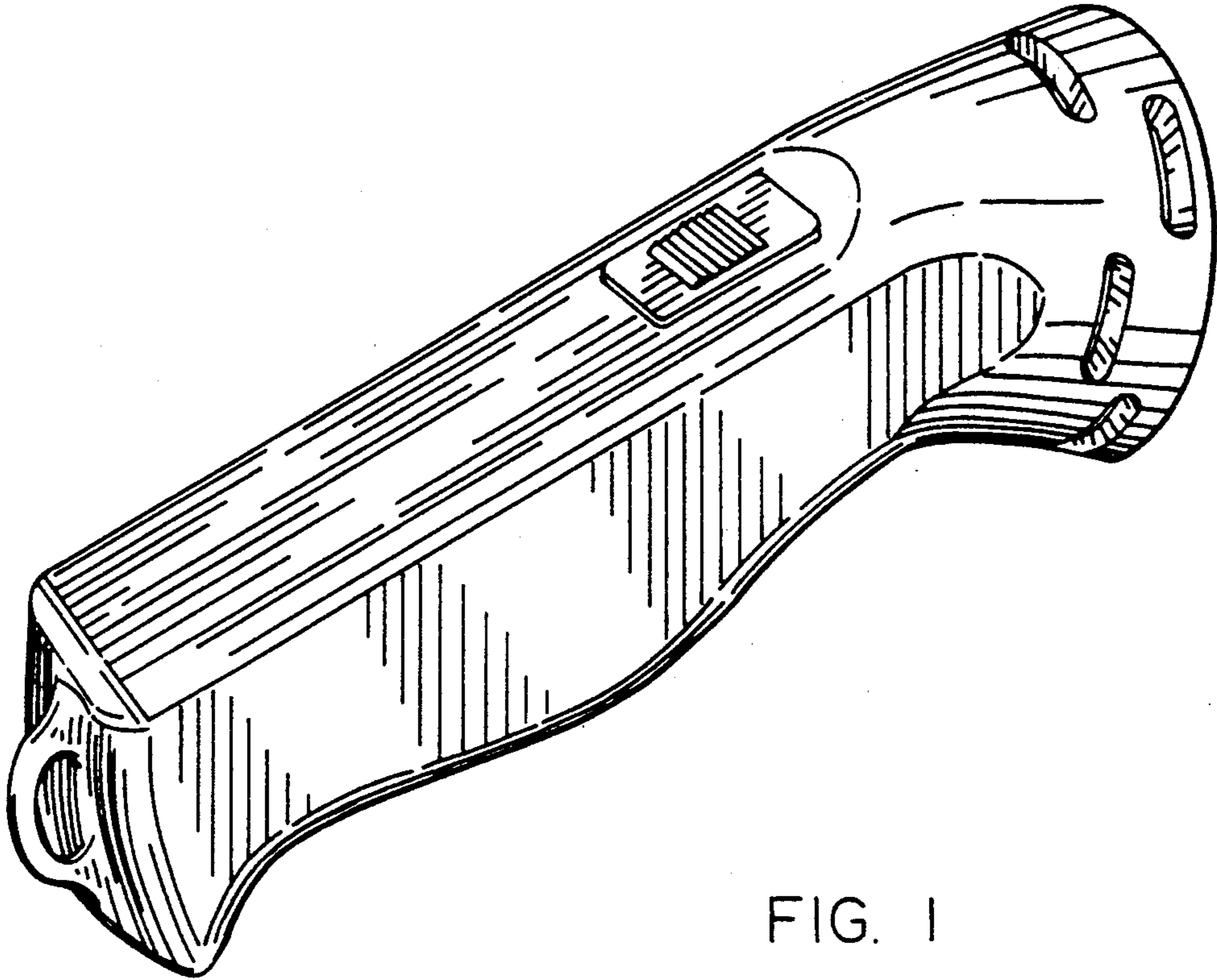


FIG. 1

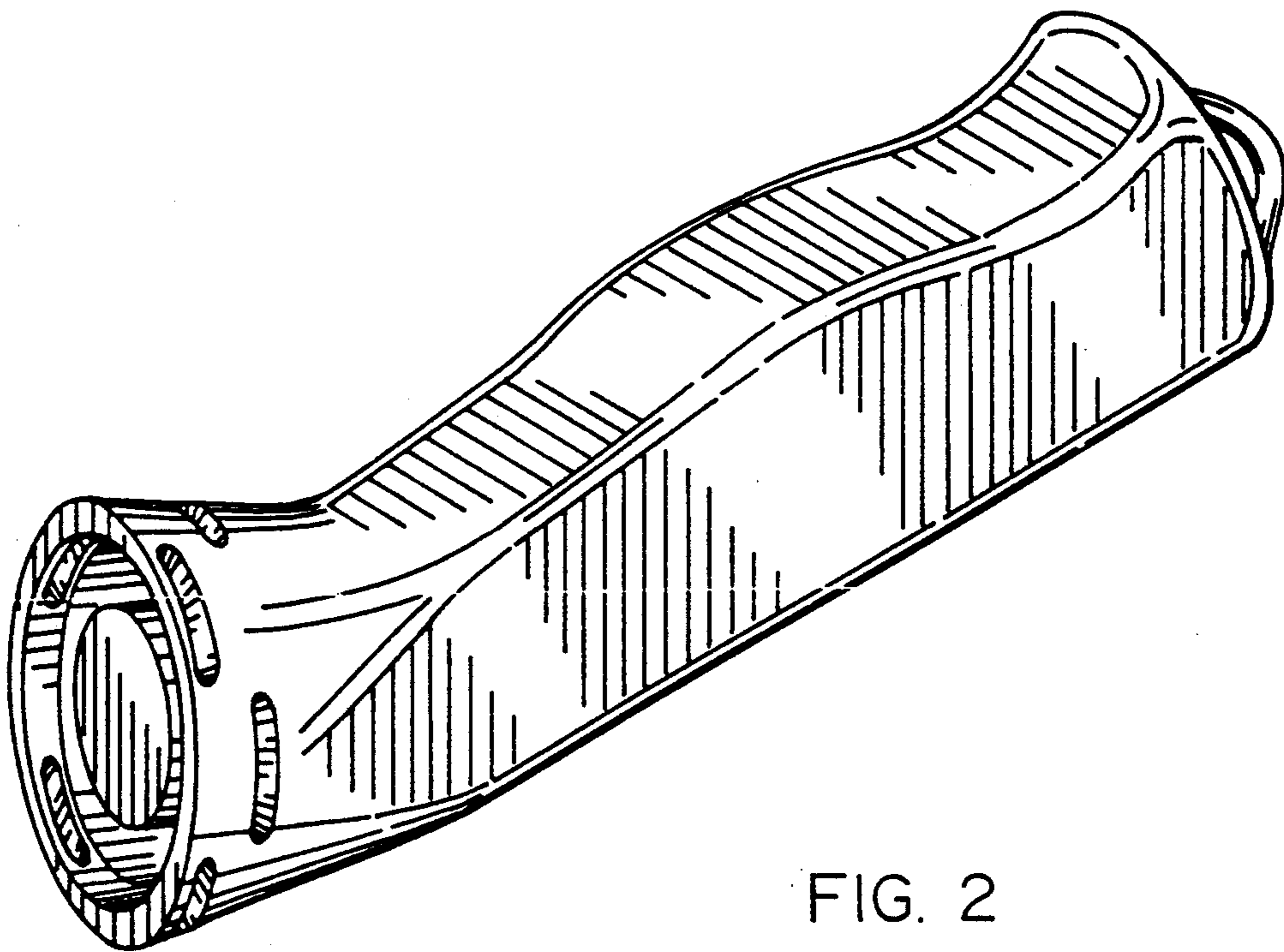


FIG. 2

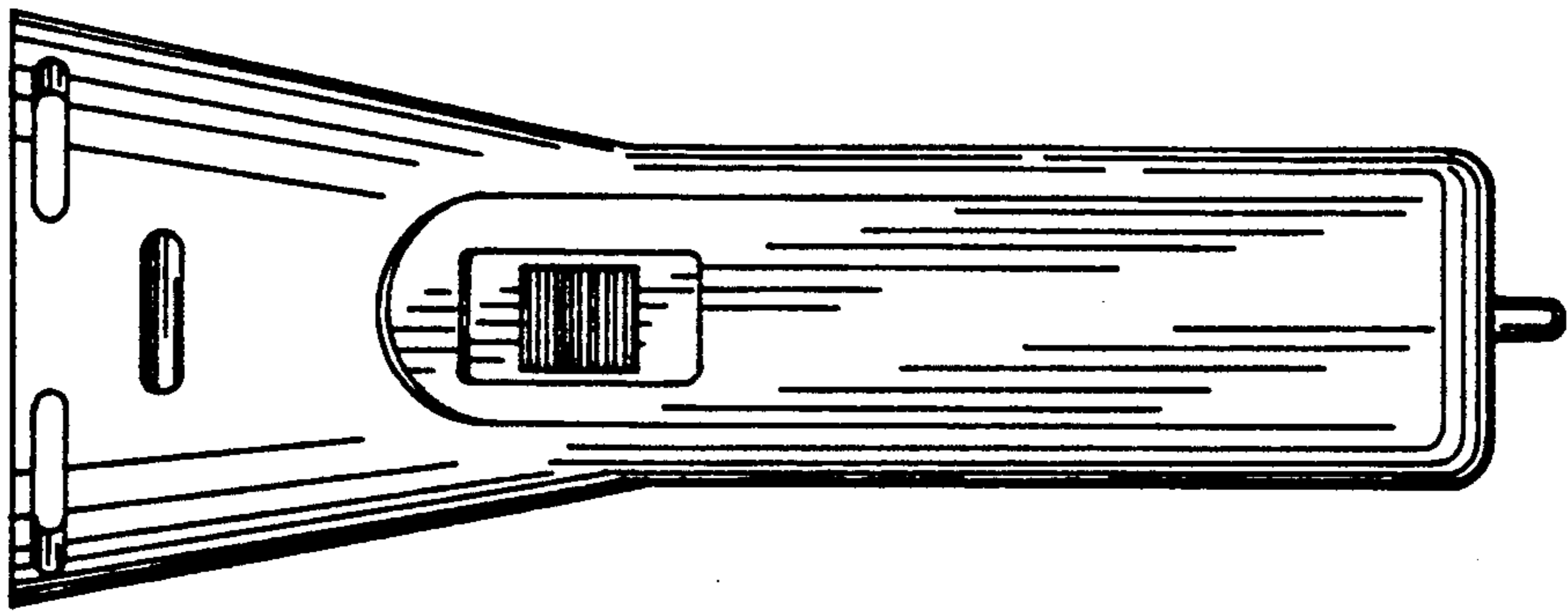


FIG. 3

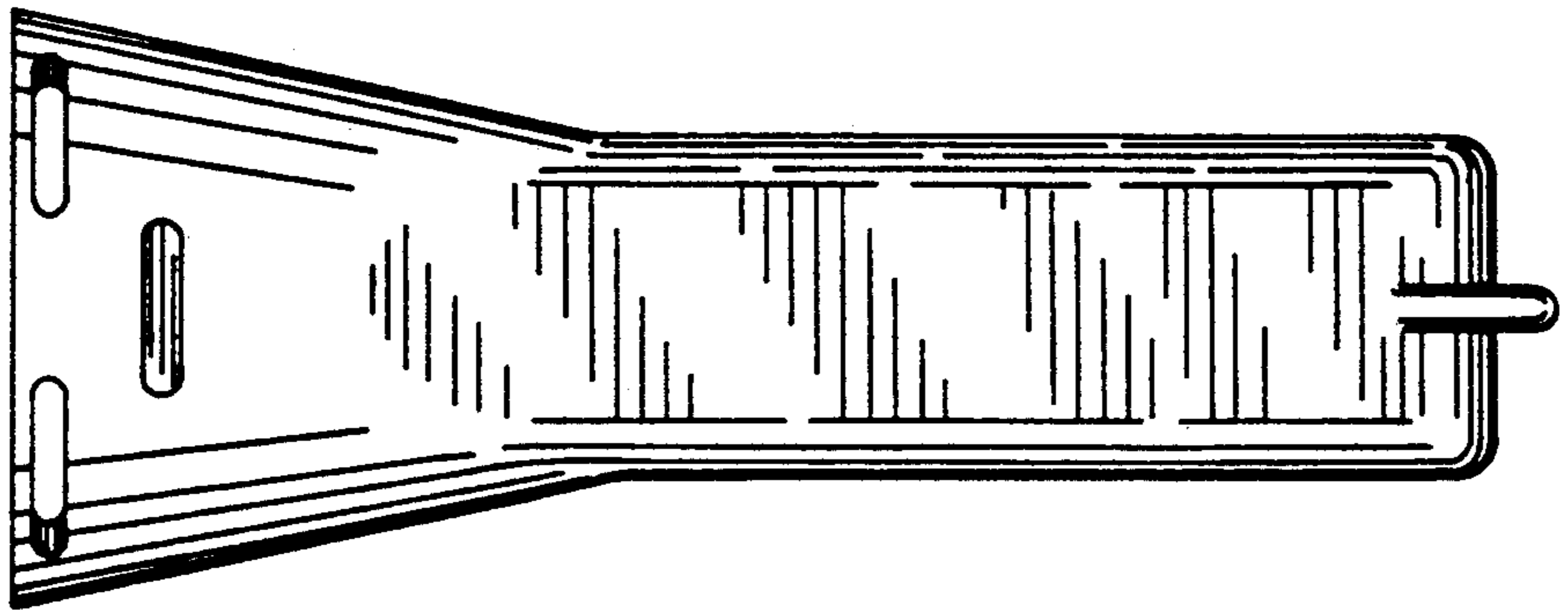


FIG. 4

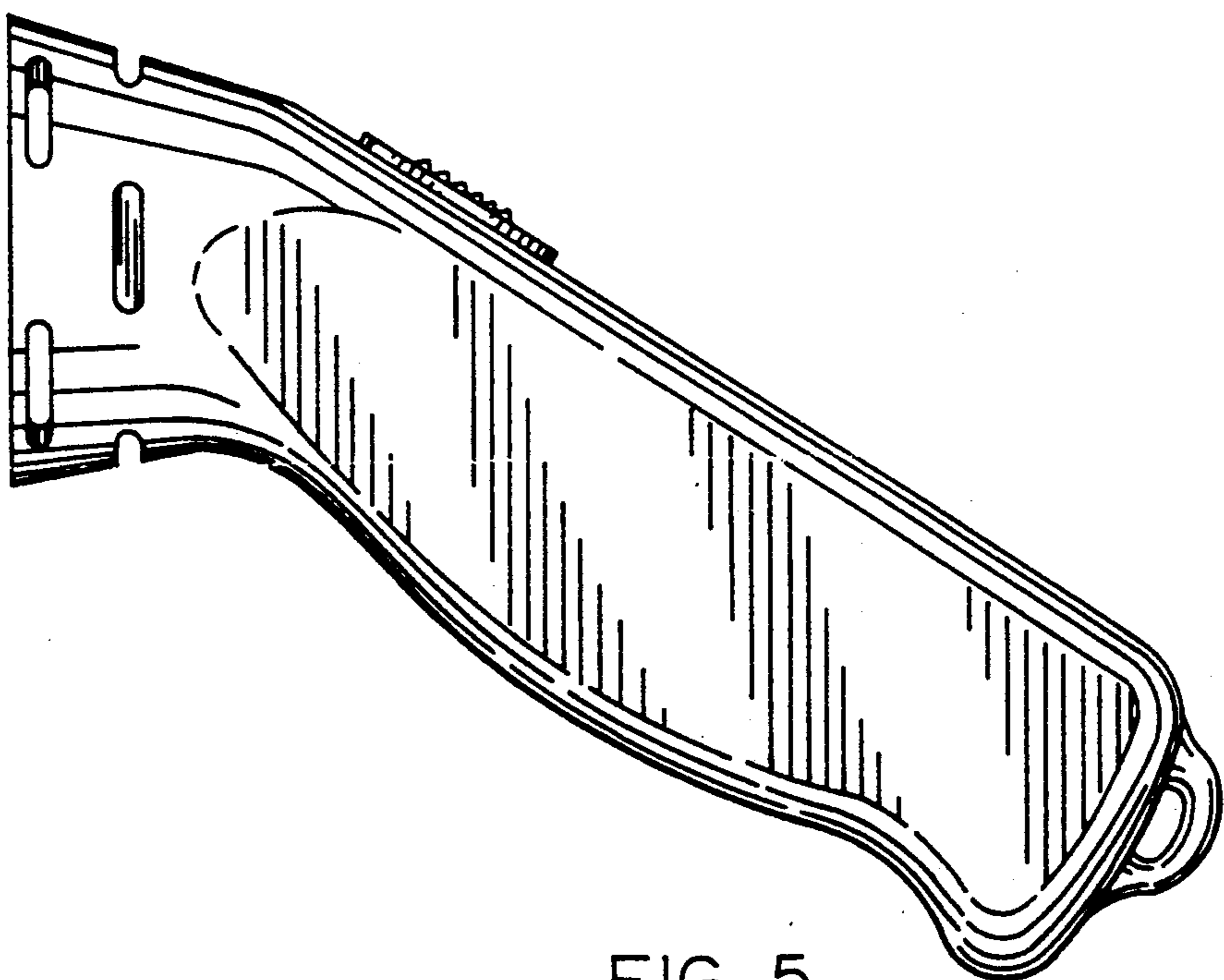


FIG. 5



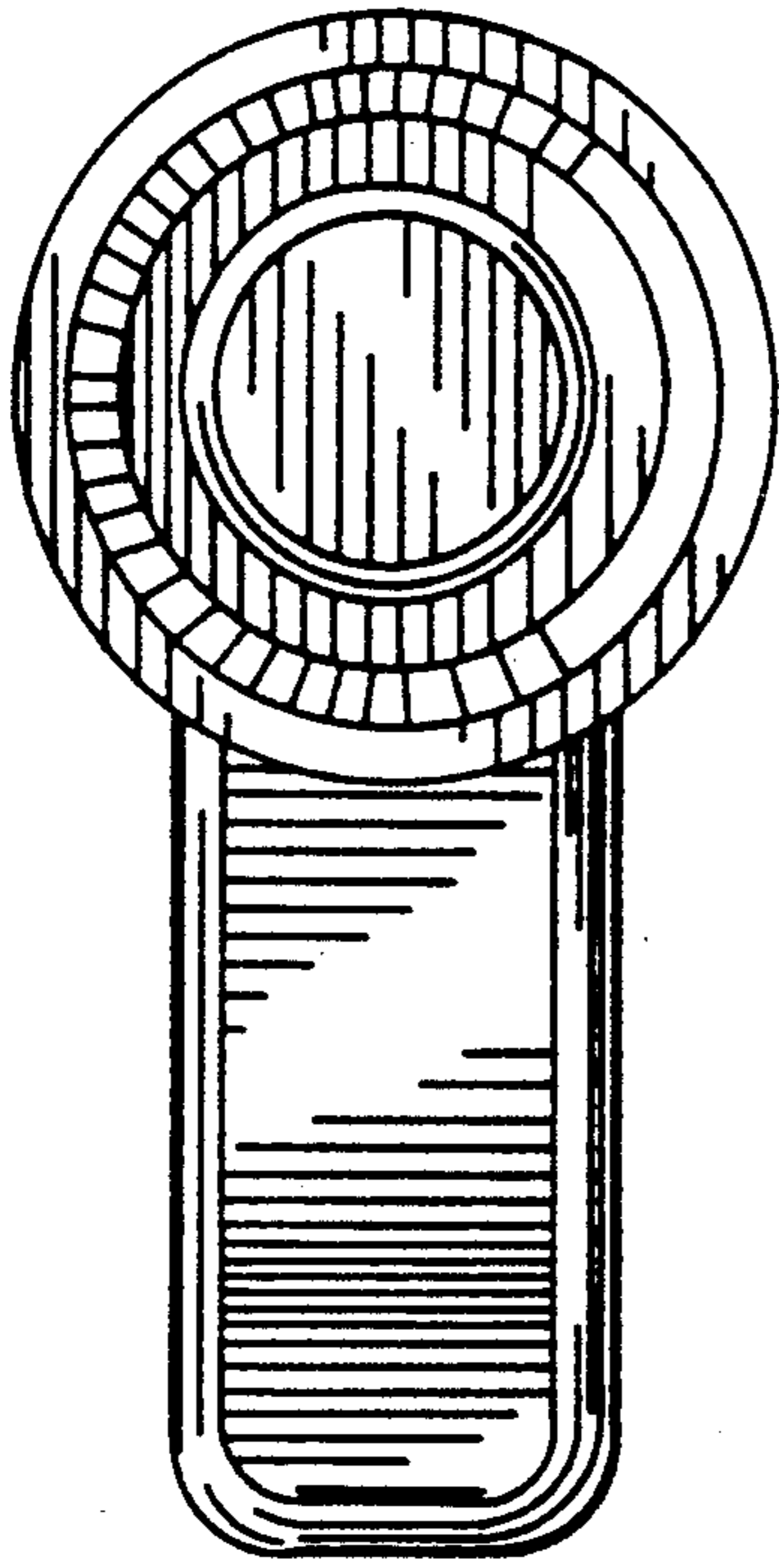


FIG. 6

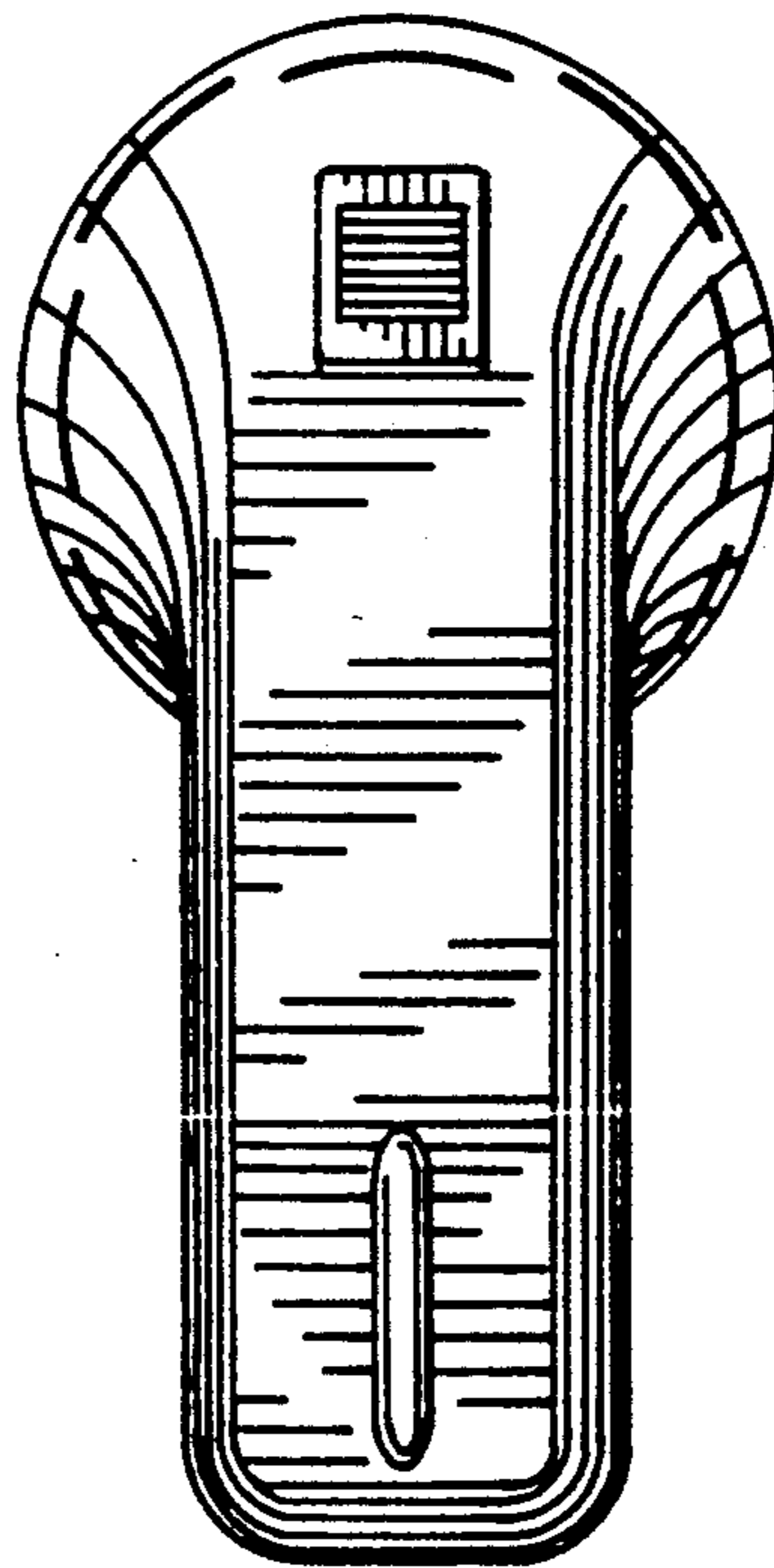


FIG. 7