



US00D331709S

United States Patent [19]

Nardin

[11] Patent Number: **Des. 331,709**

[45] Date of Patent: **** Dec. 15, 1992**

[54] **PORTABLE RADIATION SOURCE CONTAINER**

[75] Inventor: **Emmanuel Nardin, Saint Cloud, France**

[73] Assignee: **Commissariat a l'Energie Atomique, Paris, France**

[**] Term: **14 Years**

[21] Appl. No.: **482,326**

[22] Filed: **Feb. 16, 1990**

[30] **Foreign Application Priority Data**

Aug. 17, 1989 [FR] France 895284
[52] U.S. Cl. **D10/47; D10/78**
[58] Field of Search **D7/543, 550; D19/88, D19/92; D3/30.1, 99; 250/496.1, 497.1, 506.1, 504 H; 376/272; D10/47, 78**

[56] **References Cited**

U.S. PATENT DOCUMENTS

D. 98,317	1/1936	Guild	D7/550
D. 255,251	6/1980	Hansen et al.	D19/88
D. 283,141	3/1986	Koves	D19/88
1,974,221	9/1934	Stonehouse	D7/543 X
2,992,726	7/1961	Simens	250/496.1 X
4,033,884	7/1977	Lorch et al.	250/496.1

Primary Examiner—Carmen H. Vales-Lado

Assistant Examiner—Antoine D. Davis

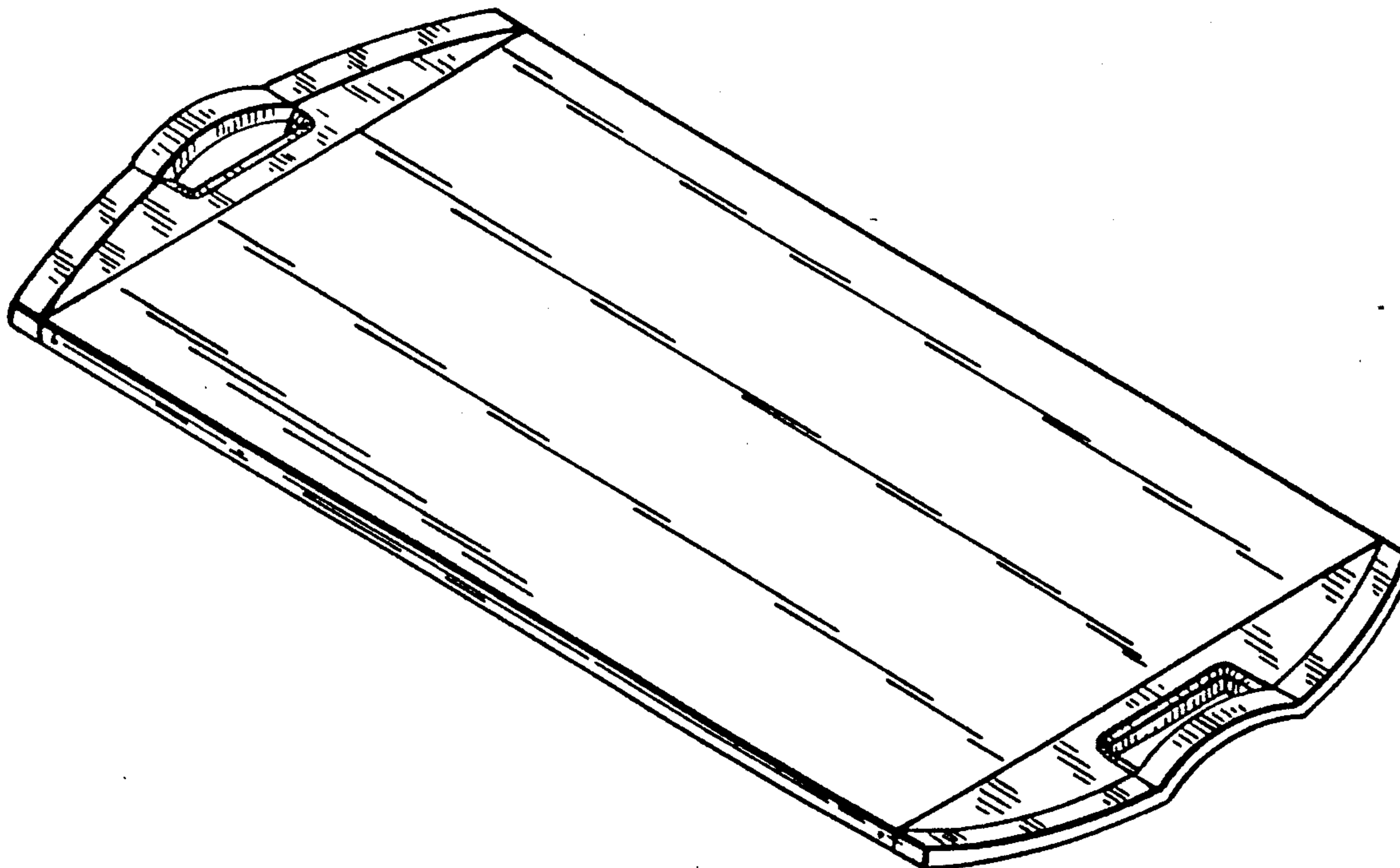
Attorney, Agent, or Firm—Robert M. Asher

[57] **CLAIM**

The ornamental design for a portable radiation source container, as shown and described.

DESCRIPTION

FIG. 1 is a top, front and left side perspective view of a portable radiation container showing my new design; FIG. 2 is a top plan view, the bottom plan view being identical; FIG. 3 is a rear elevational view; and, FIG. 4 is a right side elevational view thereof.



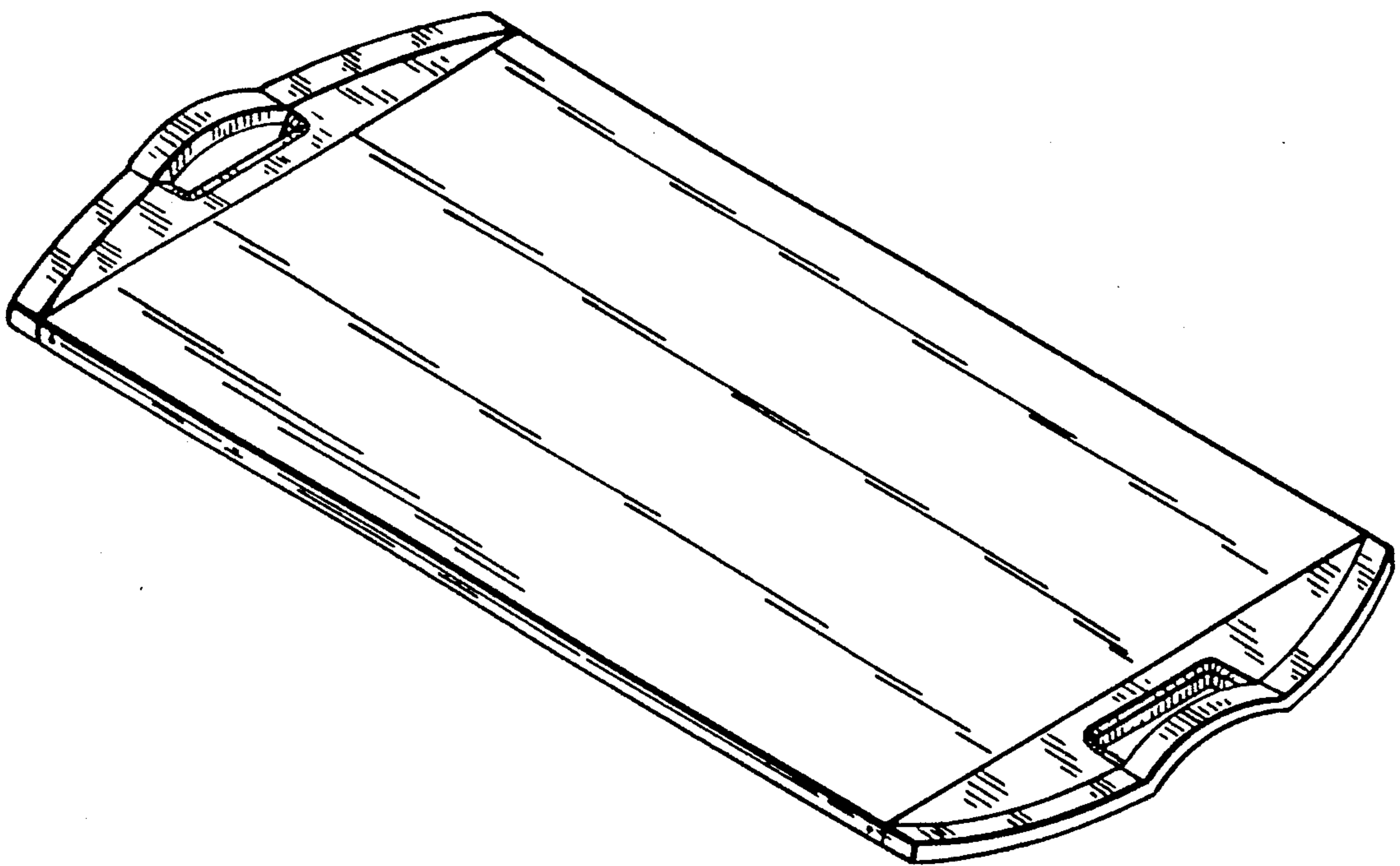


FIG. 1

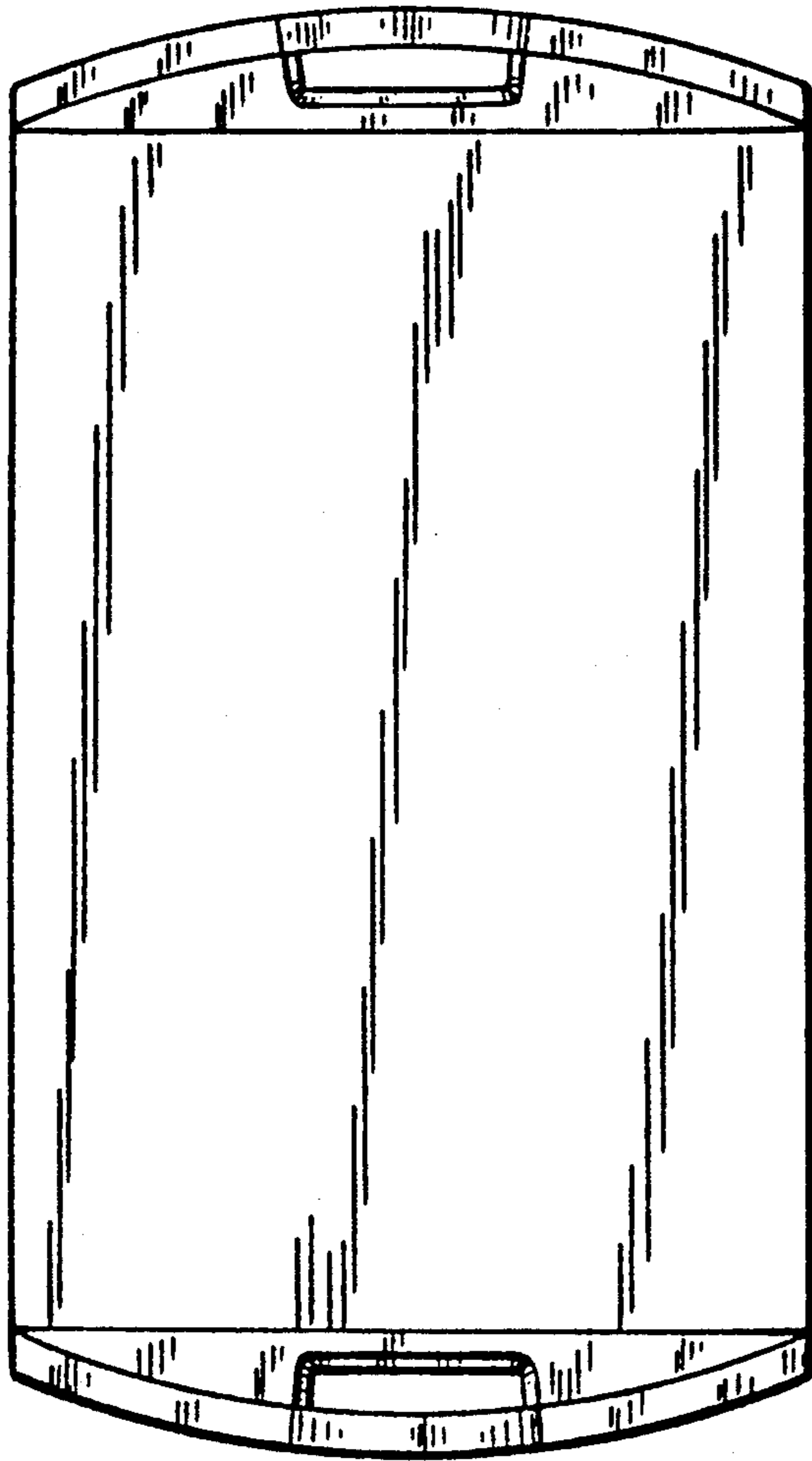


FIG. 2



FIG. 4



FIG. 3