



US00D331698S

# United States Patent [19]

Pezzoli et al.

[11] Patent Number: **Des. 331,698**

[45] Date of Patent: **\*\* Dec. 15, 1992**

[54] **PACKAGING CLIP**

[75] Inventors: **Paul A. Pezzoli**, Worthington;  
**Raymond W. Hazlett**, Sugar Grove,  
both of Ohio

[73] Assignee: **Abbott Laboratories**, Abbott Park,  
Ill.

[\*\*] Term: **14 Years**

[21] Appl. No.: **897,507**

[22] Filed: **Jun. 11, 1992**

### Related U.S. Application Data

[62] Division of Ser. No. 626,871, Dec. 13, 1990.  
[52] U.S. Cl. .... **D9/434; D9/455**  
[58] Field of Search ..... **D9/434, 455, 499;**  
**D6/567, 569-572; 248/309.1, 312; 211/89,**  
**60.1; 206/139, 143, 145, 198, 201, 203**

[56] **References Cited**

### U.S. PATENT DOCUMENTS

D. 300,293 3/1989 Casey ..... D7/71  
4,182,455 1/1980 Zurawin ..... 211/71  
4,637,580 1/1987 Idstein ..... 248/95

### OTHER PUBLICATIONS

MA-LECK Catalogue (1980) p. 25.

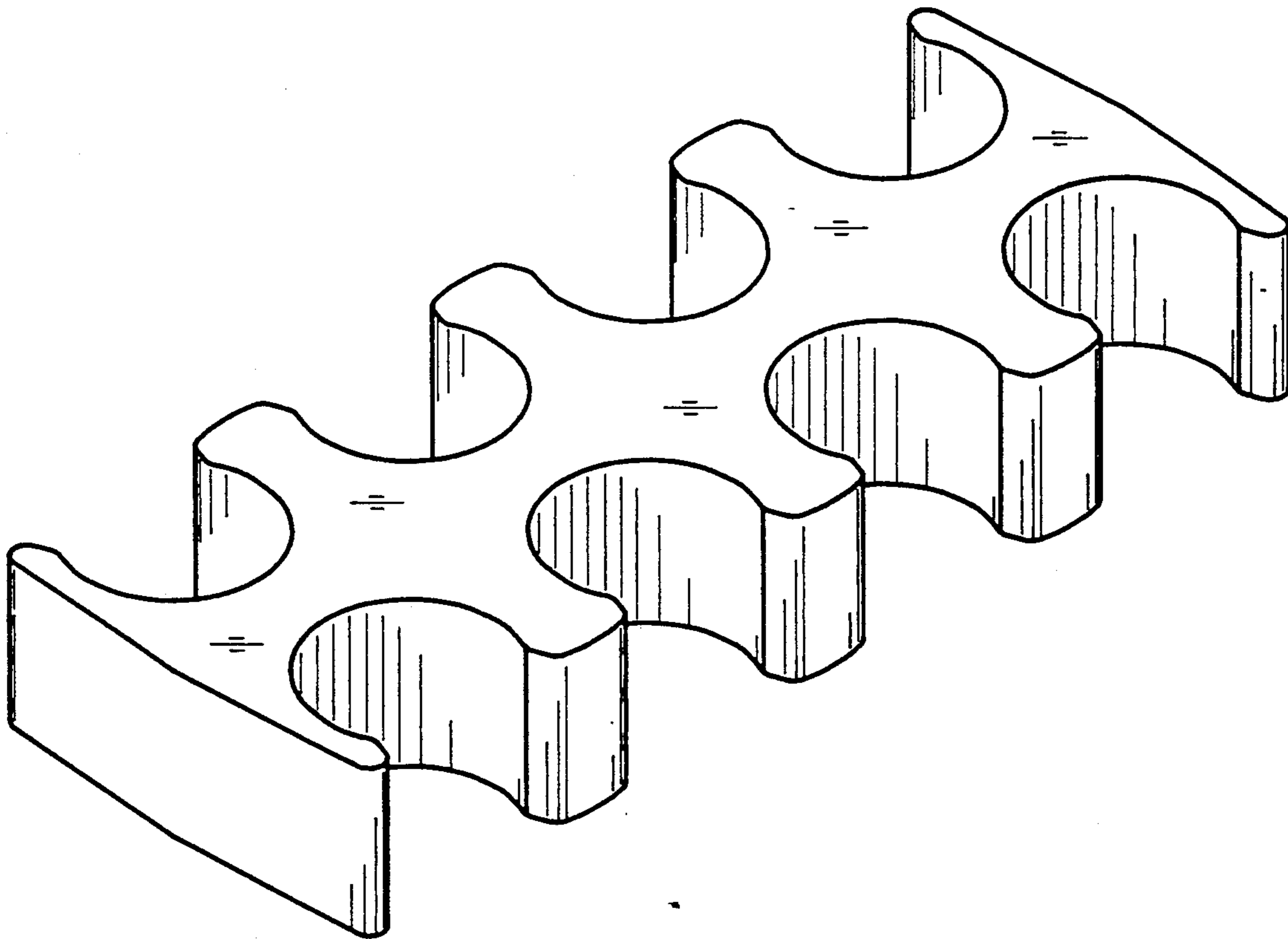
*Primary Examiner*—Bernard Ansher  
*Assistant Examiner*—Dominic Simone  
*Attorney, Agent, or Firm*—Lonnie R. Drayer; Donald O.  
Nickey

[57] **CLAIM**

The ornamental design for a packaging clip, as shown.

### DESCRIPTION

FIG. 1 is a perspective view of a packaging clip showing our new design;  
FIG. 2 is a top view thereof, the bottom being the same;  
FIG. 3 is a front view thereof, the back being the same;  
and,  
FIG. 4 is a end view thereof, the other end being the same.



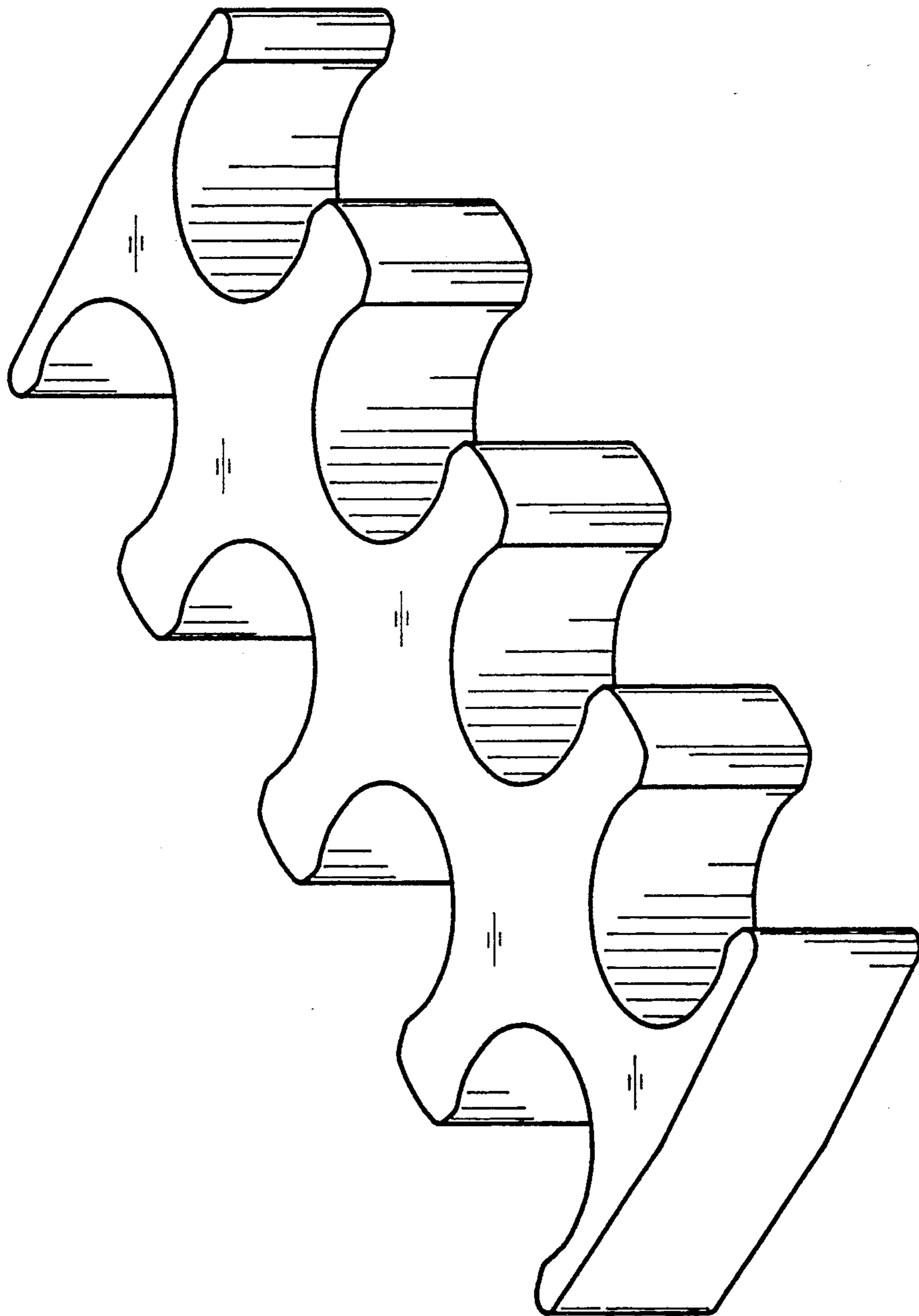


FIG-1

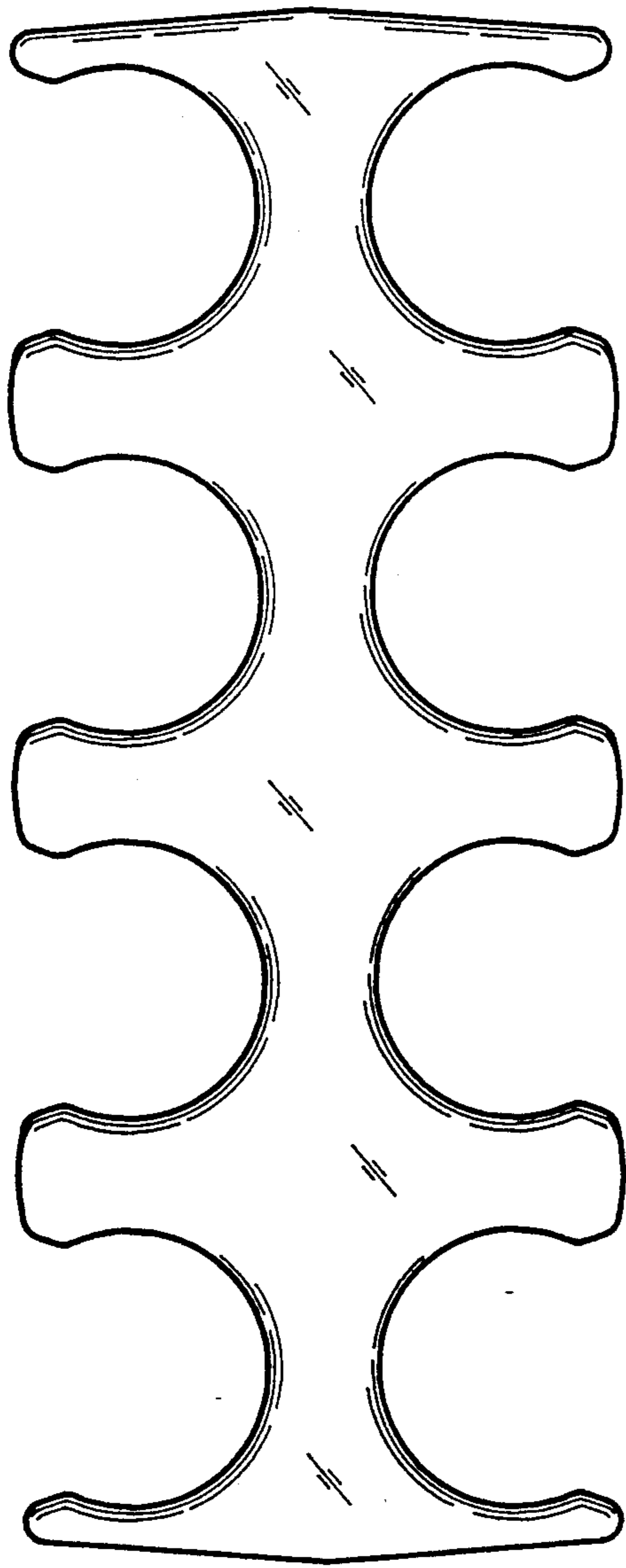


FIG-2

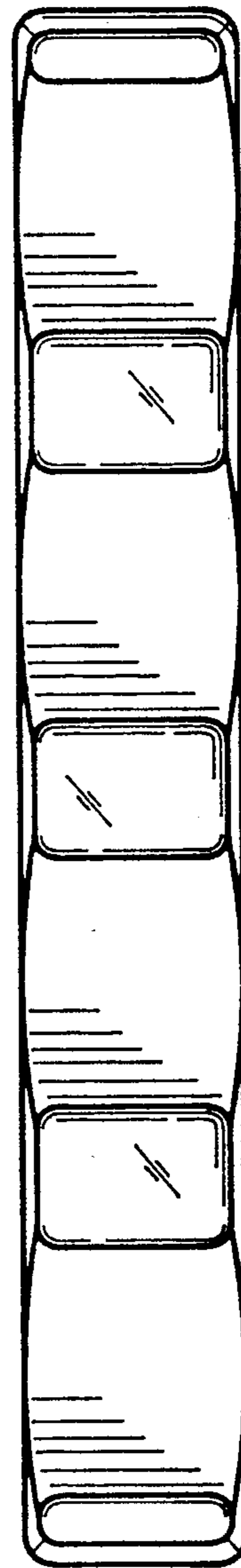


FIG-3

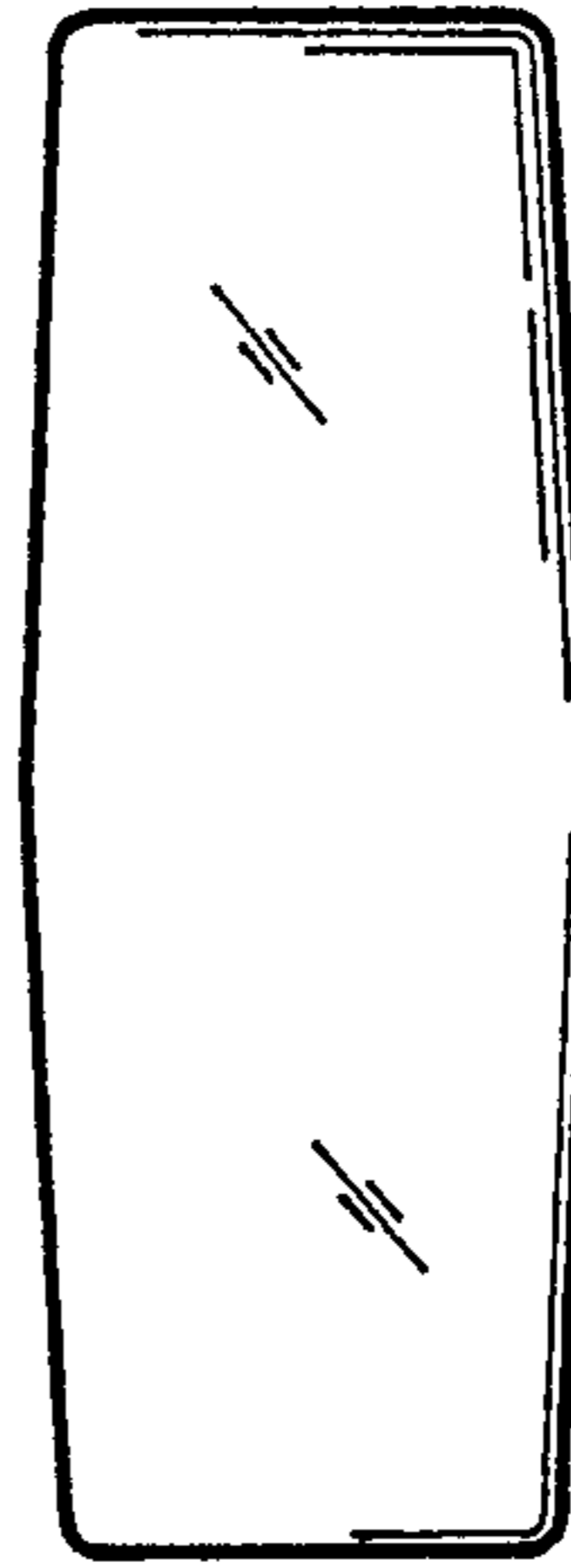


FIG-4