



US00D331696S

United States Patent [19]
Graham

[11] **Patent Number: Des. 331,696**

[45] **Date of Patent: ** Dec. 15, 1992**

[54] **WEDGE FOR HOLDING A WINDOW OPEN OR A LIGHT**

[76] **Inventor: Matthew S. Graham, 219 Scituate Rd., York, Me. 03909**

[**] **Term: 14 Years**

[21] **Appl. No.: 611,348**

[22] **Filed: Nov. 8, 1990**

[52] **U.S. Cl. D8/402; D26/142**

[58] **Field of Search D8/402; 16/82, 86 R; 292/343; D26/38, 51, 138, 142; 362/187, 190, 382**

[56] **References Cited**

U.S. PATENT DOCUMENTS

2,703,728	3/1955	Raber	292/288
3,603,782	9/1971	Wortman .	
4,142,752	3/1979	Chilton	16/82
4,736,974	4/1988	Rosenthal .	
4,821,990	4/1989	Porter .	

FOREIGN PATENT DOCUMENTS

0024536 2/1977 Japan 292/343

OTHER PUBLICATIONS

Hardware by Detroit-Modern Hardware for Modern Doors; Cat. 14; 1955; p. 64; key hole shape 150 PR. "Handbook of Designs and Devices"; C. P. Hornung ©1932; p. 122; pattern 1090.

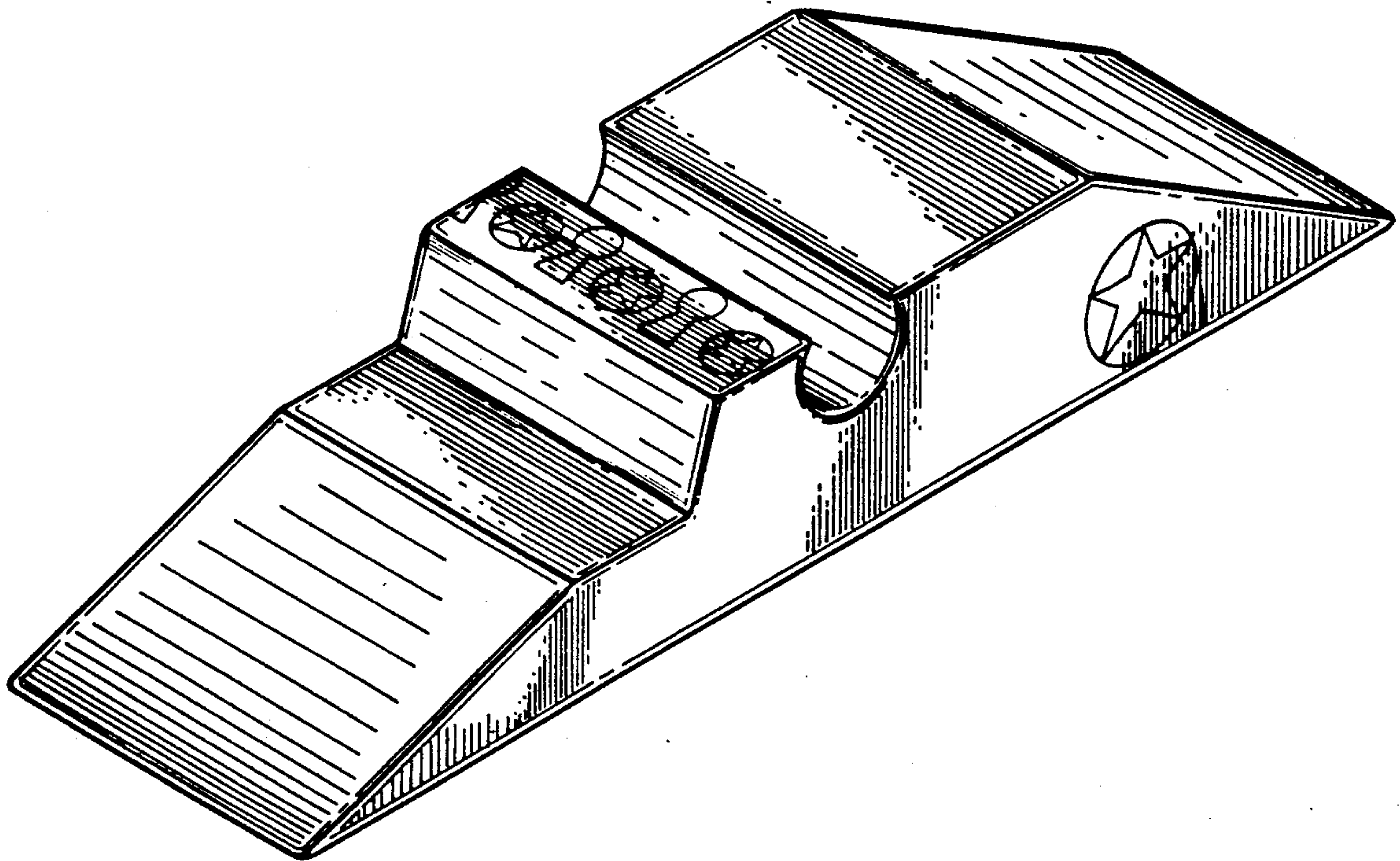
Primary Examiner—B. J. Bullock
Attorney, Agent, or Firm—Terry M. Gernstein

[57] **CLAIM**

The ornamental design for a wedge for holding a window open, or a light, as shown and described.

DESCRIPTION

FIG. 1 is a perspective view of a wedge for holding a window open or a light embodying my new design; FIG. 2 is a front elevational view thereof; FIG. 3 is a rear elevational view thereof; FIG. 4 is a side elevational view thereof, the side opposite being a mirror image of the side shown in FIG. 4; FIG. 5 is a top plan view thereof; and, FIG. 6 is a bottom plan view thereof.



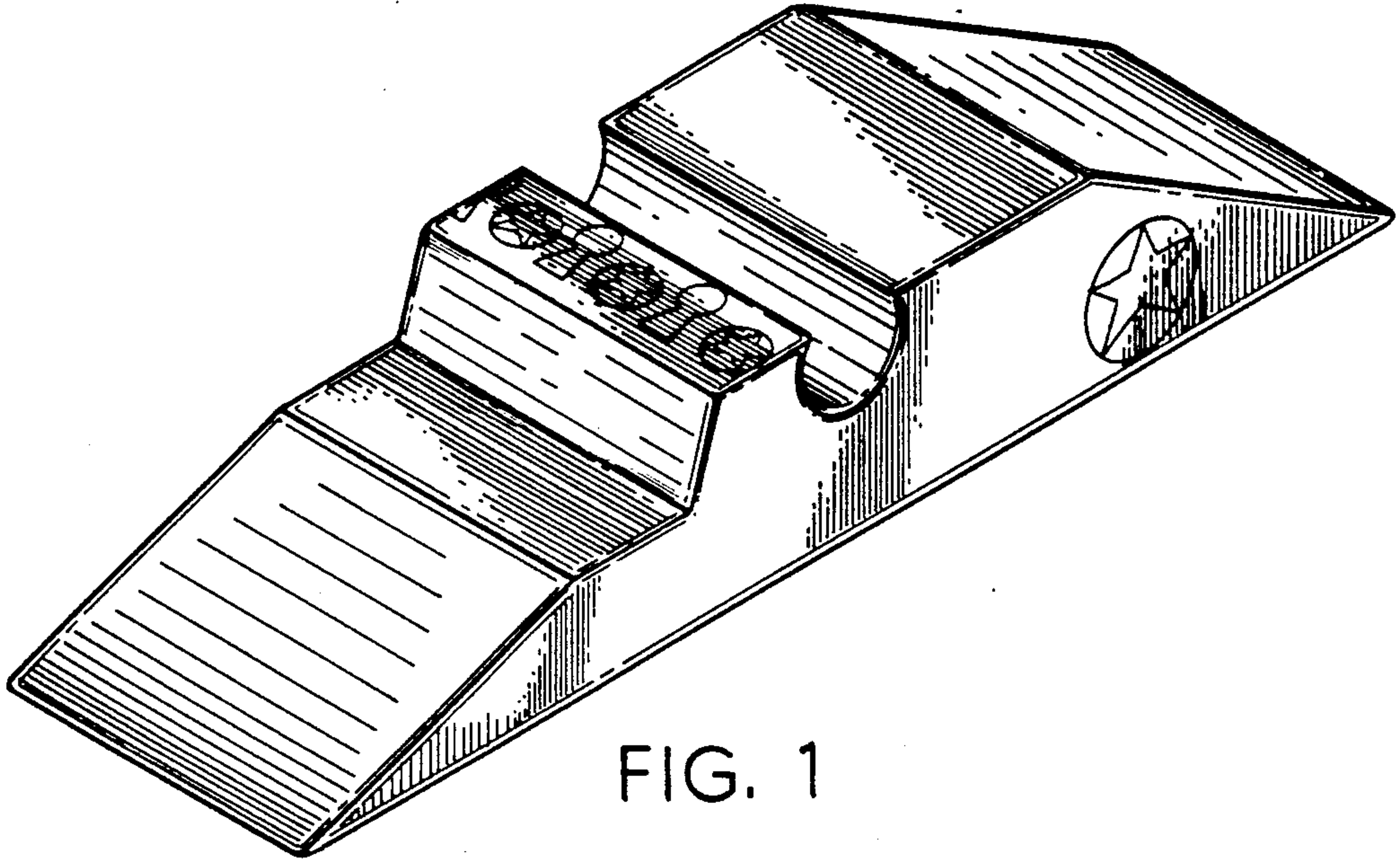


FIG. 1

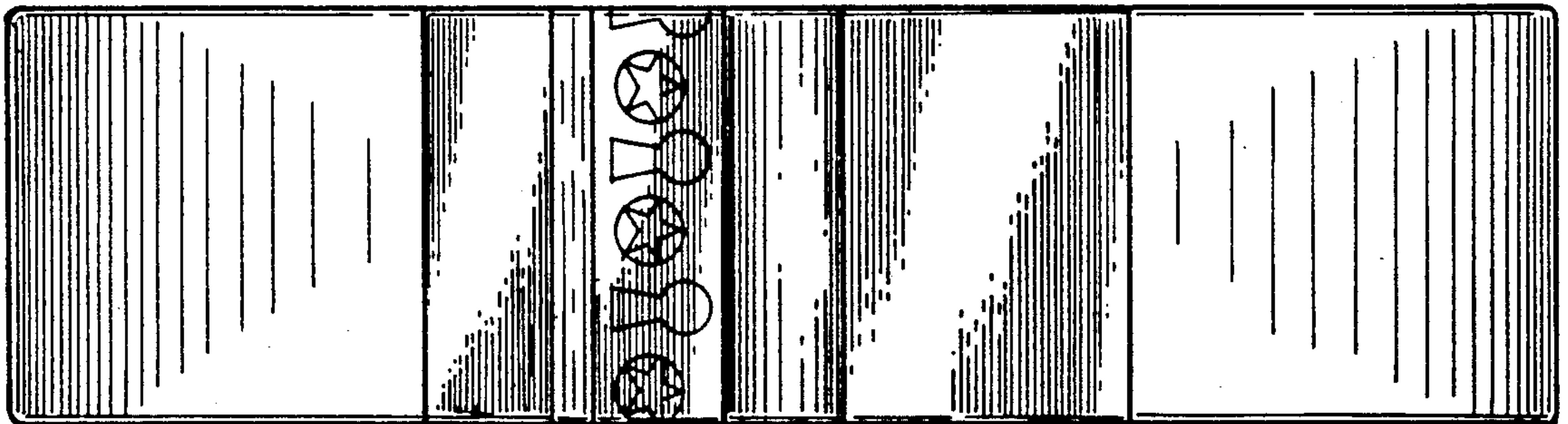


FIG. 5

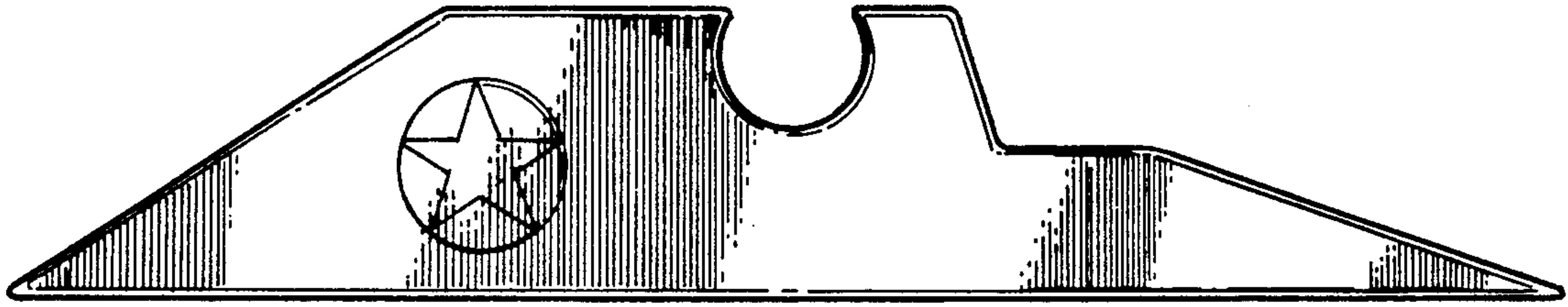


FIG. 4

FIG. 2

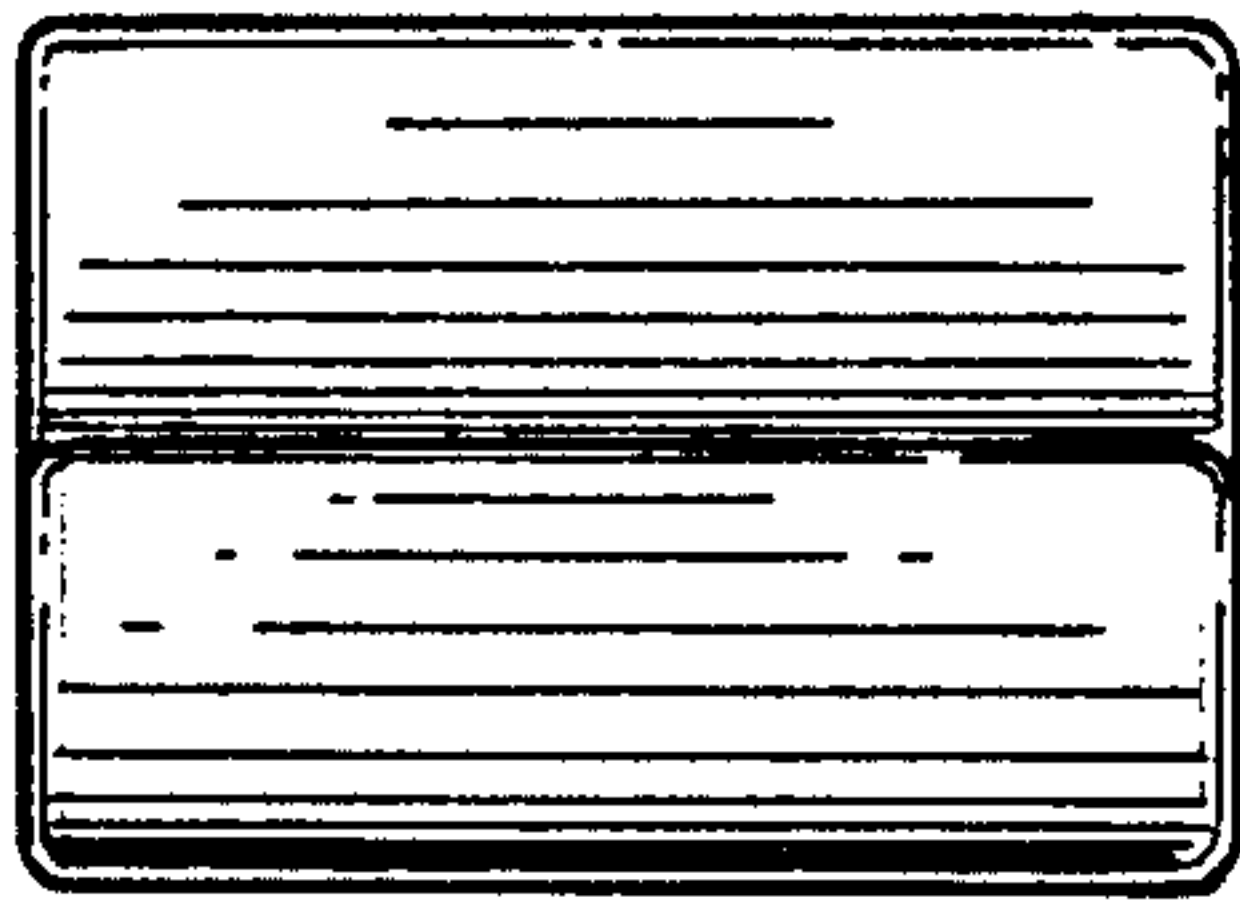


FIG. 3

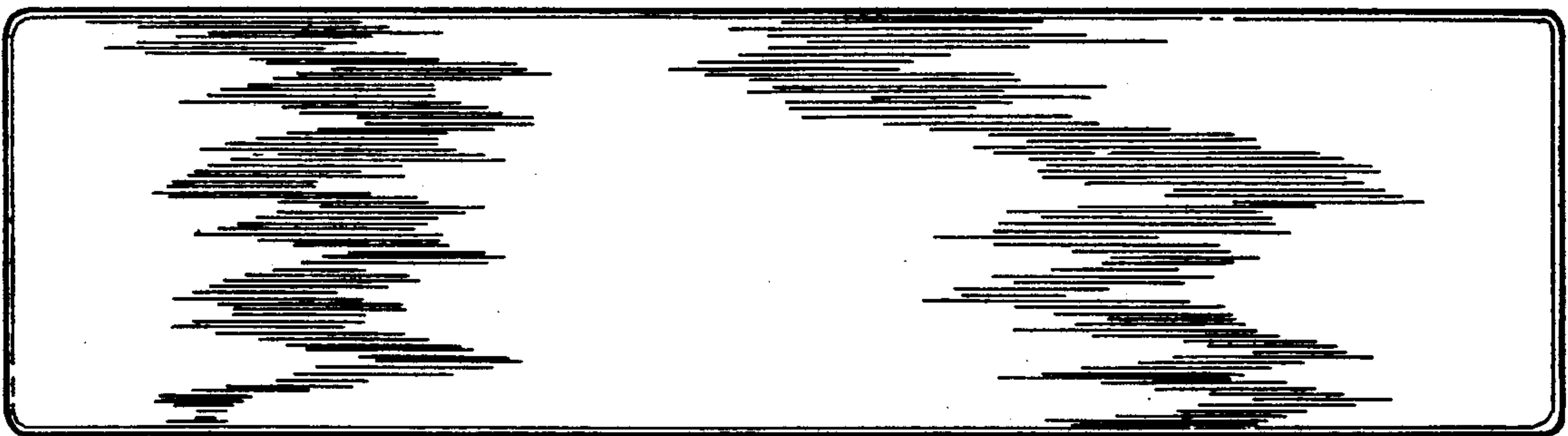
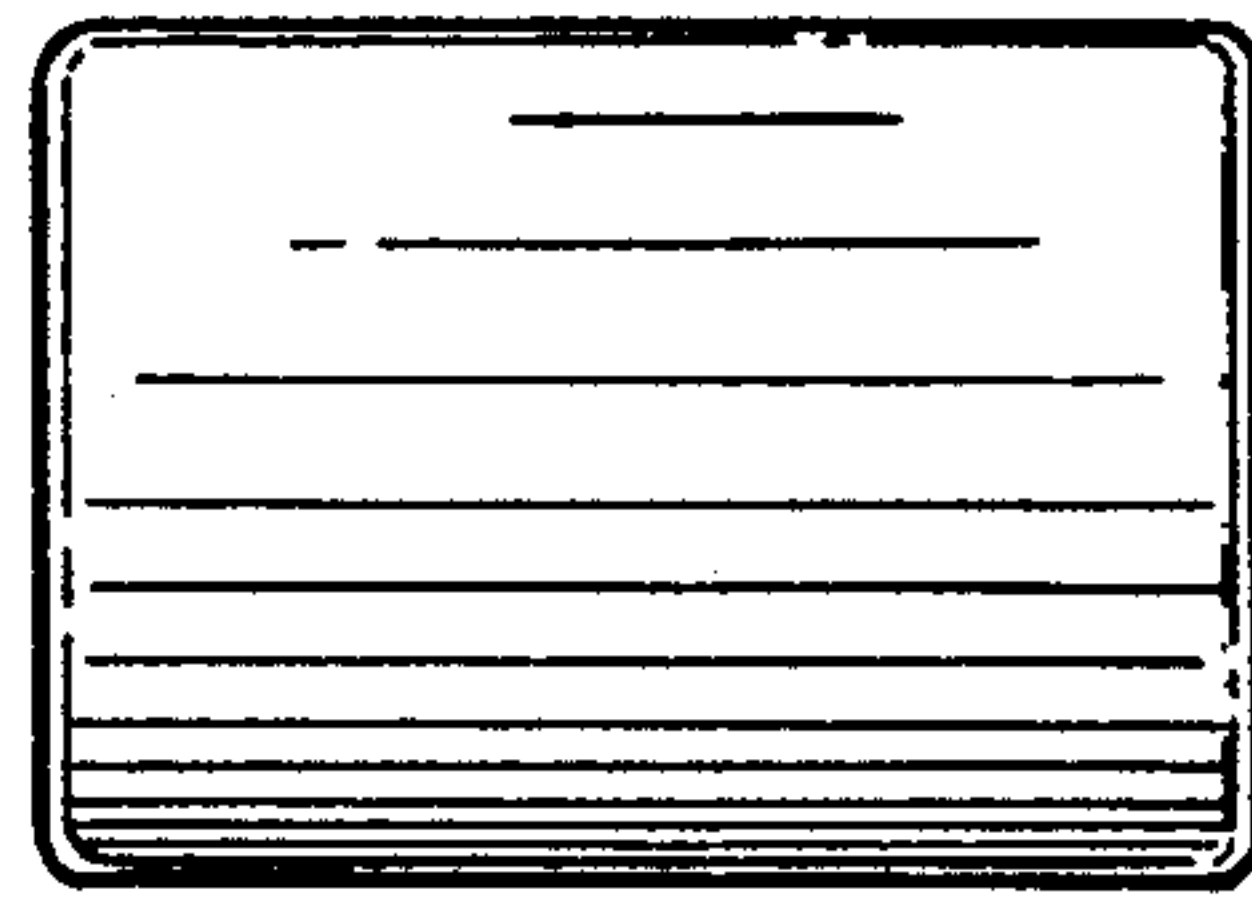


FIG. 6