



US00D331693S

United States Patent [19]

[11] Patent Number: **Des. 331,693**

Delahunt

[45] Date of Patent: **** Dec. 15, 1992**

[54] **HANDLE ATTACHMENT FOR TRAVELING BAG**

1,359,461 11/1920 Luce .
3,225,985 12/1965 Romney D3/32

[75] Inventor: **Thomas F. Delahunt, Corpus Christi, Tex.**

Primary Examiner—B. J. Bullock
Attorney, Agent, or Firm—Pravel, Gambrell, Hewitt, Kimball & Krieger

[73] Assignee: **Rio Grande Manufacturing, Inc., Corpus Christi, Tex.**

[57] **CLAIM**

[**] Term: **14 Years**

The ornamental design for a handle attachment for a traveling bag, as shown and described.

[21] Appl. No.: **741,794**

DESCRIPTION

[22] Filed: **Aug. 6, 1991**

[52] U.S. Cl. **D8/321; D3/77**

[58] Field of Search **D8/321; D3/36, 42, 54, D3/76, 32, 77; 150/107-110; 190/115-118, 102, 123; 206/317**

FIG. 1 is a perspective view of the handle attachment for traveling bag showing my new design, the showings of multiple handle attachments and the traveling bag are in broken lines for illustrative purposes only; FIG. 2 is a perspective view thereof, the showings of multiple handle attachments and the gun case are in broken lines for illustrative purposes only; FIG. 3 is an enlarged front perspective view thereof, the rear being identical except for the omission of the openings and the inclusion of a seam; FIG. 4 is an enlarged front elevational view thereof; FIG. 5 is an enlarged top plan view thereof; FIG. 6 is an enlarged left side elevational view thereof; FIG. 7 is an enlarged right side elevational view thereof; and, FIG. 8 is an enlarged bottom plan view thereof.

[56] **References Cited**

U.S. PATENT DOCUMENTS

- D. 228,099 8/1973 Marshall .
- D. 230,662 3/1974 Katz .
- D. 231,869 6/1974 Ohyama .
- D. 242,658 12/1976 Genaro et al. .
- D. 258,326 2/1981 Davis D3/76
- D. 285,748 9/1986 Feinberg .
- D. 314,276 2/1991 Nordstrom .
- 1,129,967 3/1915 Eiseman 150/115

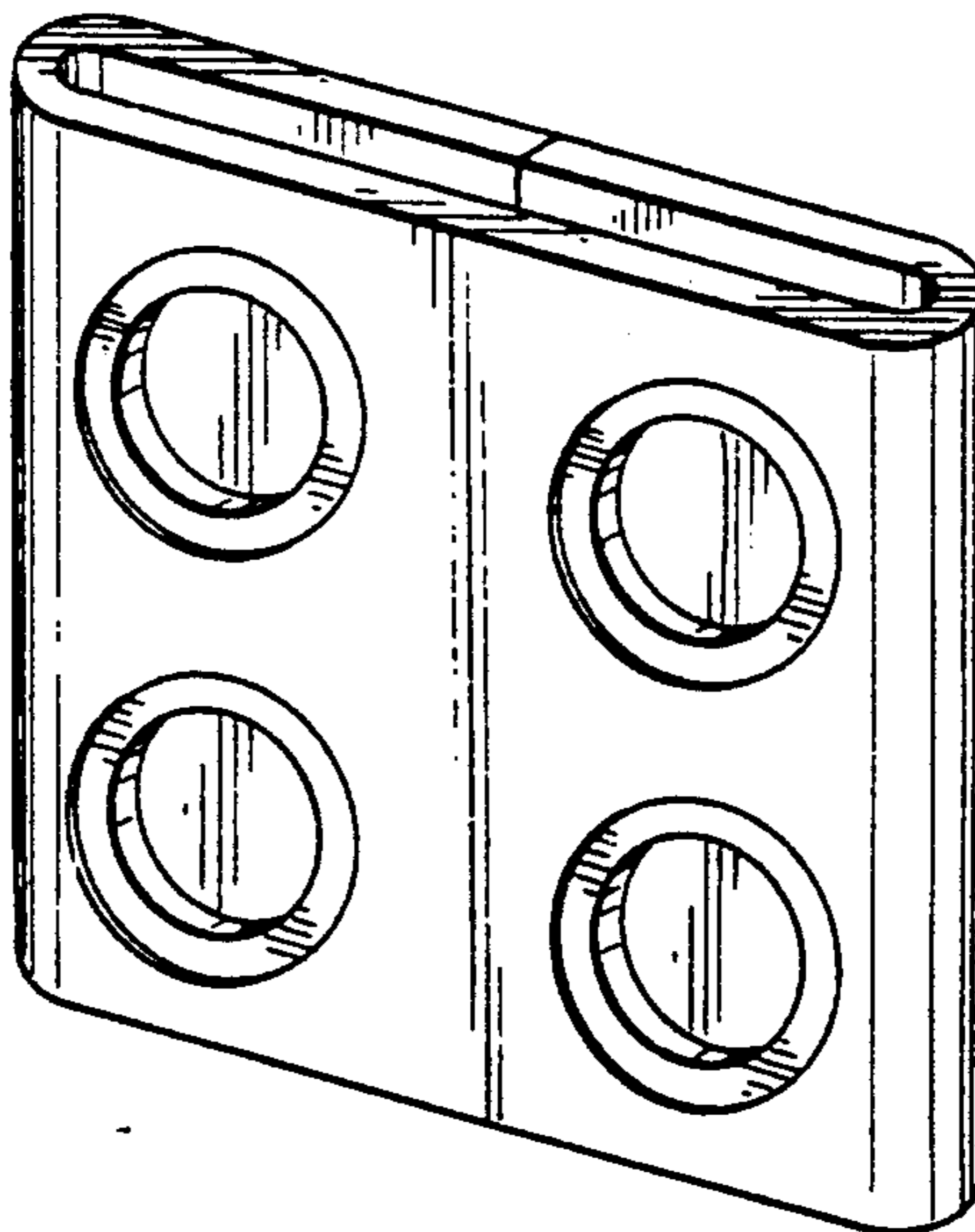


FIG. 1

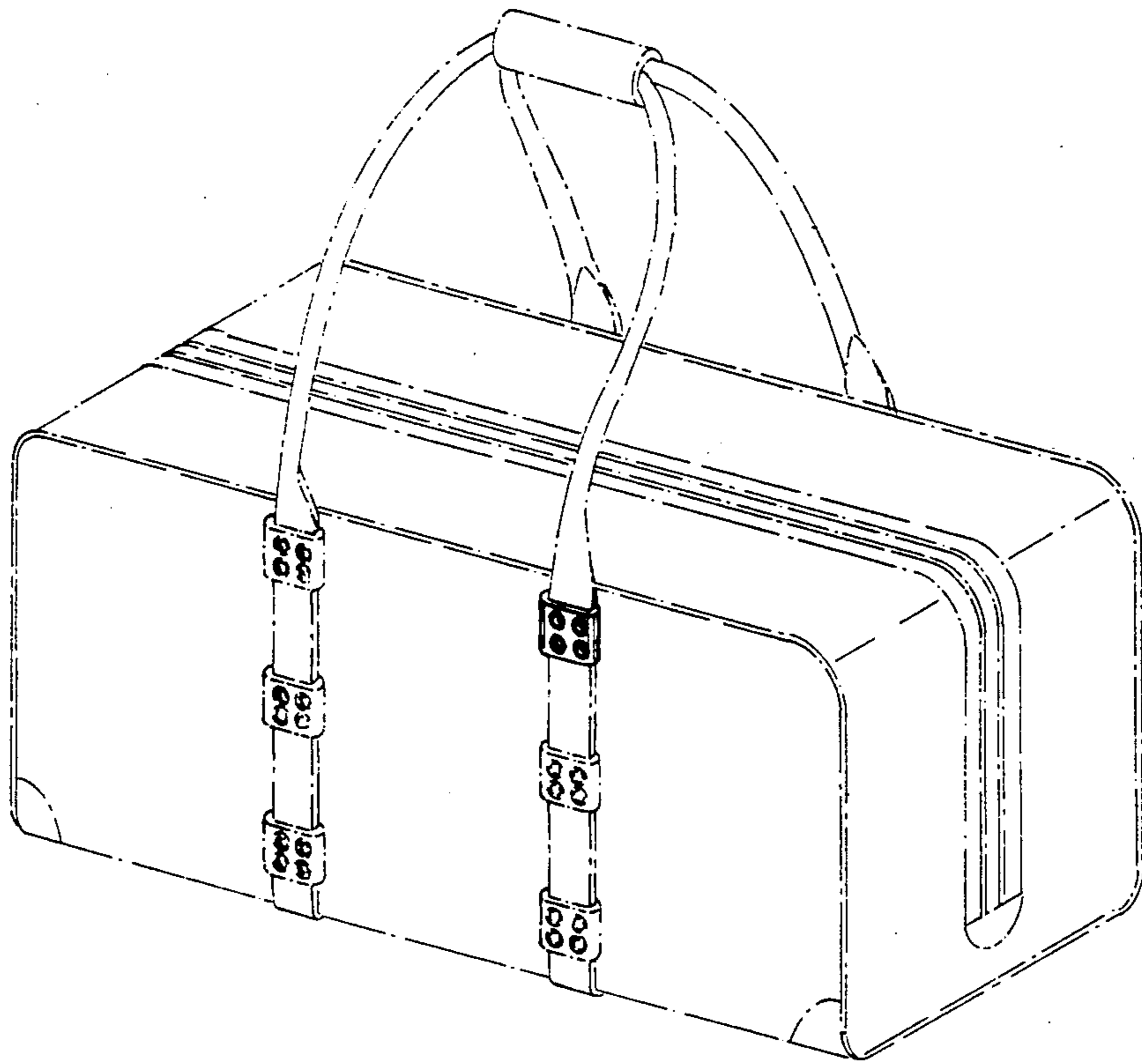


FIG. 2

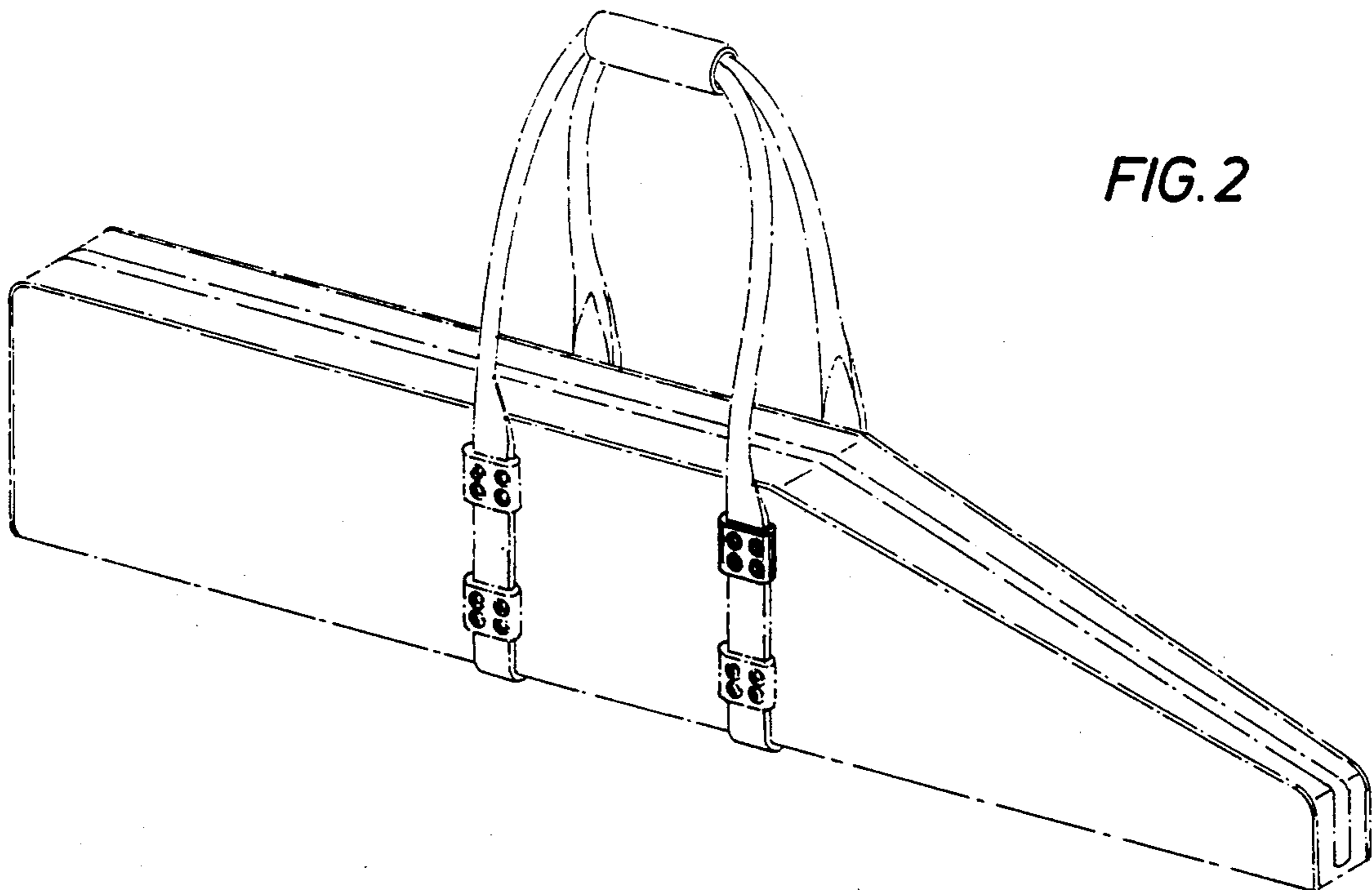


FIG. 3

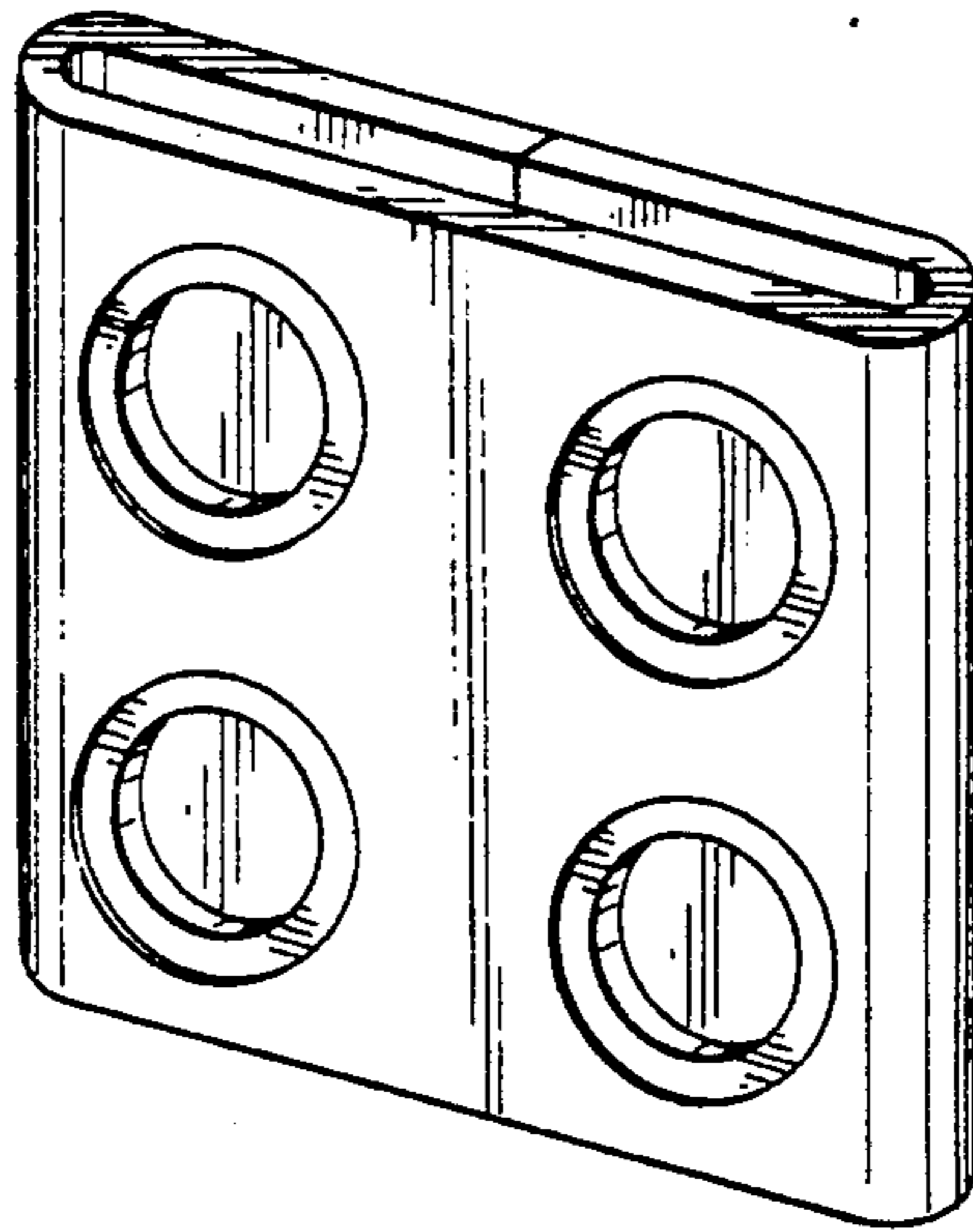


FIG. 5

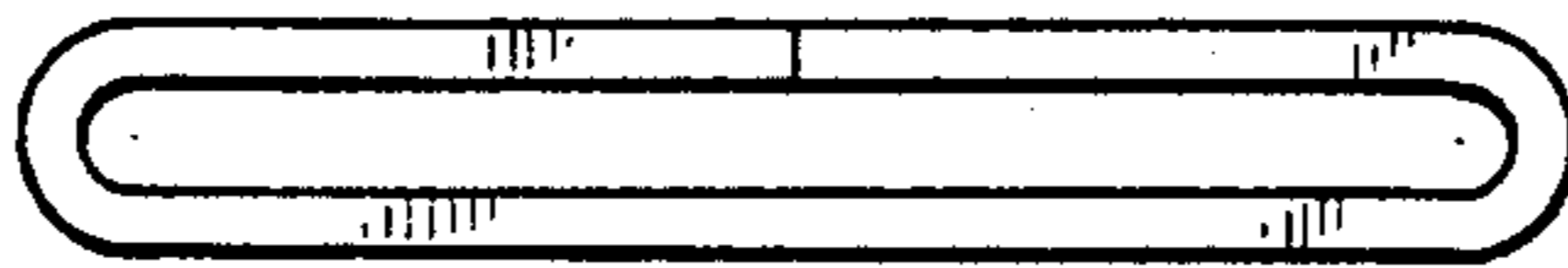


FIG. 4

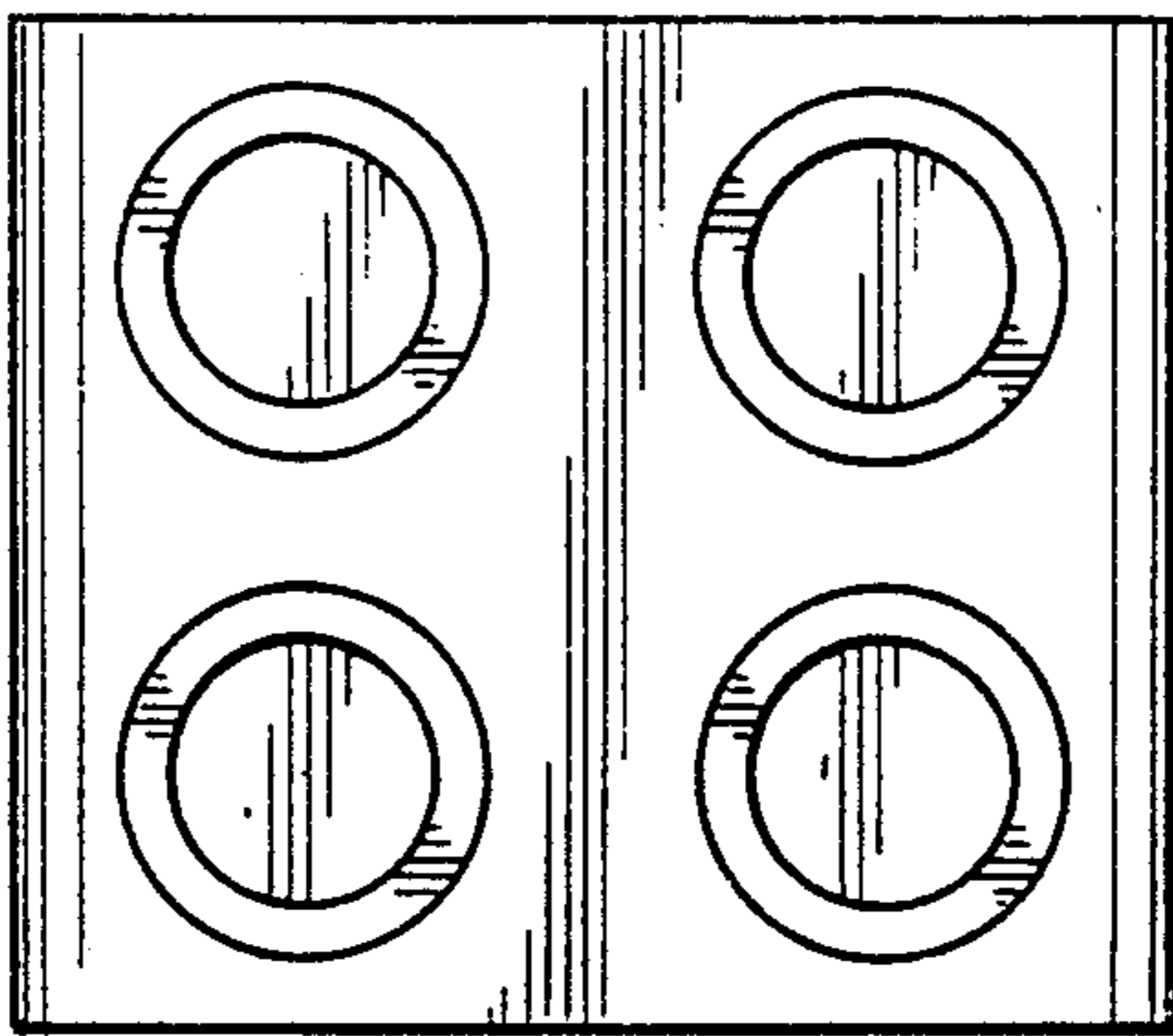


FIG. 6

FIG. 7



FIG. 8