



US00D331691S

# United States Patent [19]

[11] Patent Number: **Des. 331,691**

Chan

[45] Date of Patent: **\*\* Dec. 15, 1992**

[54] **HANDLE FOR SCISSORS**

853,979 5/1907 Karrer ..... 30/232  
2,505,705 4/1950 Cohn ..... 30/232

[76] Inventor: **Eric Chan**, 401 E. 84th St., New York, N.Y. 10028

*Primary Examiner*—Terry A. Pfeffer  
*Attorney, Agent, or Firm*—William E. Pelton

[\*\*] Term: **14 Years**

[57] **CLAIM**

[21] Appl. No.: **563,544**

The ornamental design for handle for scissors, as shown and described.

[22] Filed: **Aug. 6, 1990**

**Related U.S. Application Data**

**DESCRIPTION**

[63] Continuation-in-part of Ser. No. 311,689, Feb. 10, 1989.

FIG. 1 is a perspective view of a handle for scissors showing my new design;

[52] U.S. Cl. .... **D8/107; D8/57**

FIG. 2 is a perspective view thereof;

[58] Field of Search ..... D8/57, 98, 107, 300; D3/18; 30/194, 231-232, 244, 254-262

FIG. 3 is a right side elevational view thereof, the opposite side being identical;

[56] **References Cited**

FIG. 4 is a top plan view thereof, the opposite side being identical;

**U.S. PATENT DOCUMENTS**

D. 219,420 12/1970 Cling ..... D8/57  
258,089 5/1882 Mann ..... 30/232 X

FIG. 5 is a rear elevational view thereof; and,

FIG. 6 is a front elevational view thereof. The blades are shown in broken lines for illustrative purposes only.

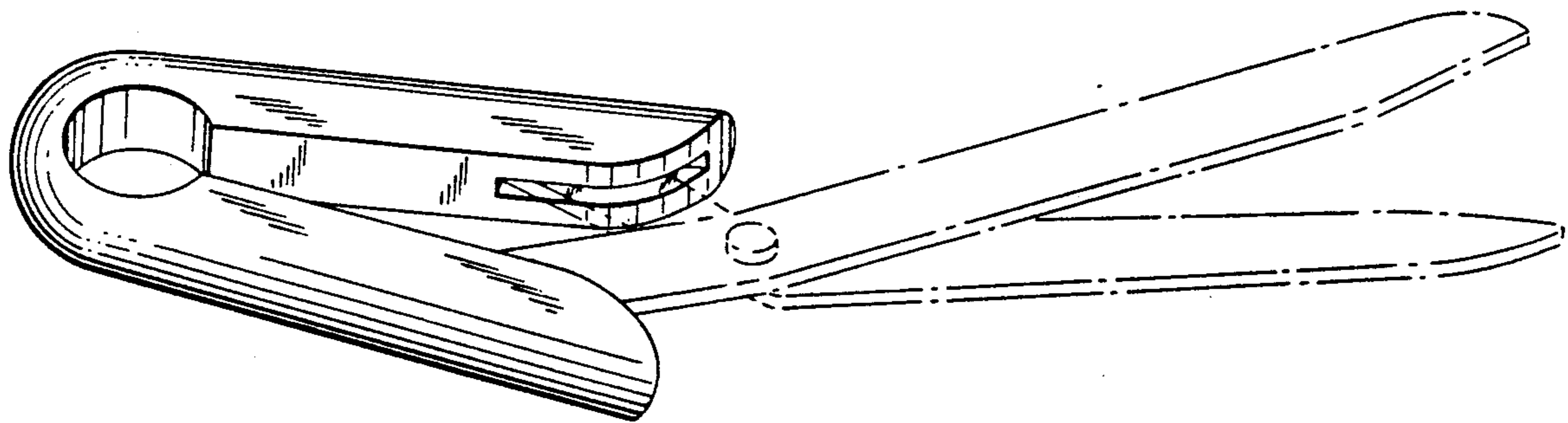
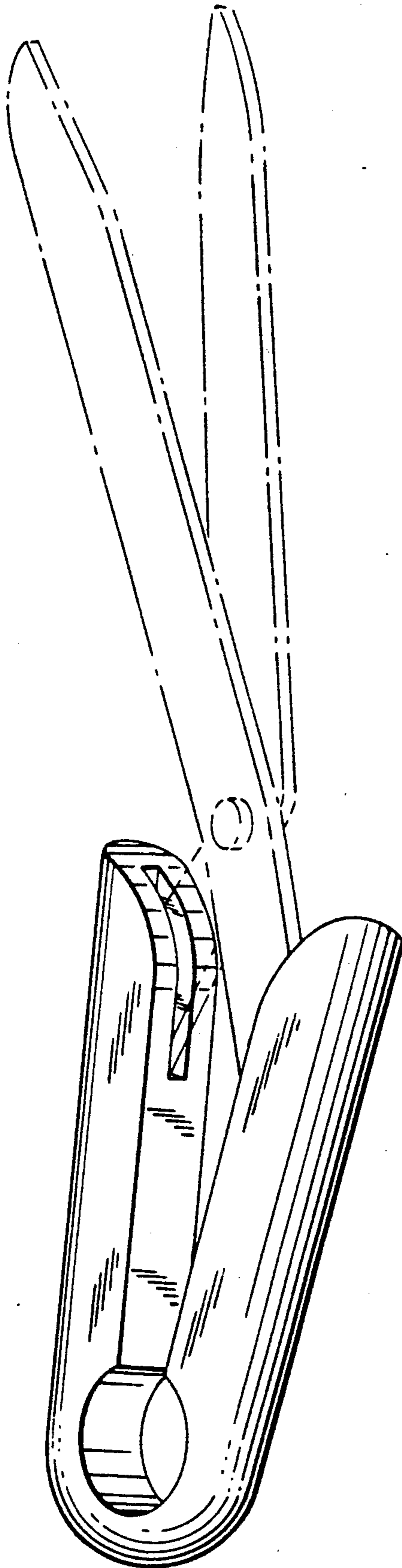


FIG. 1



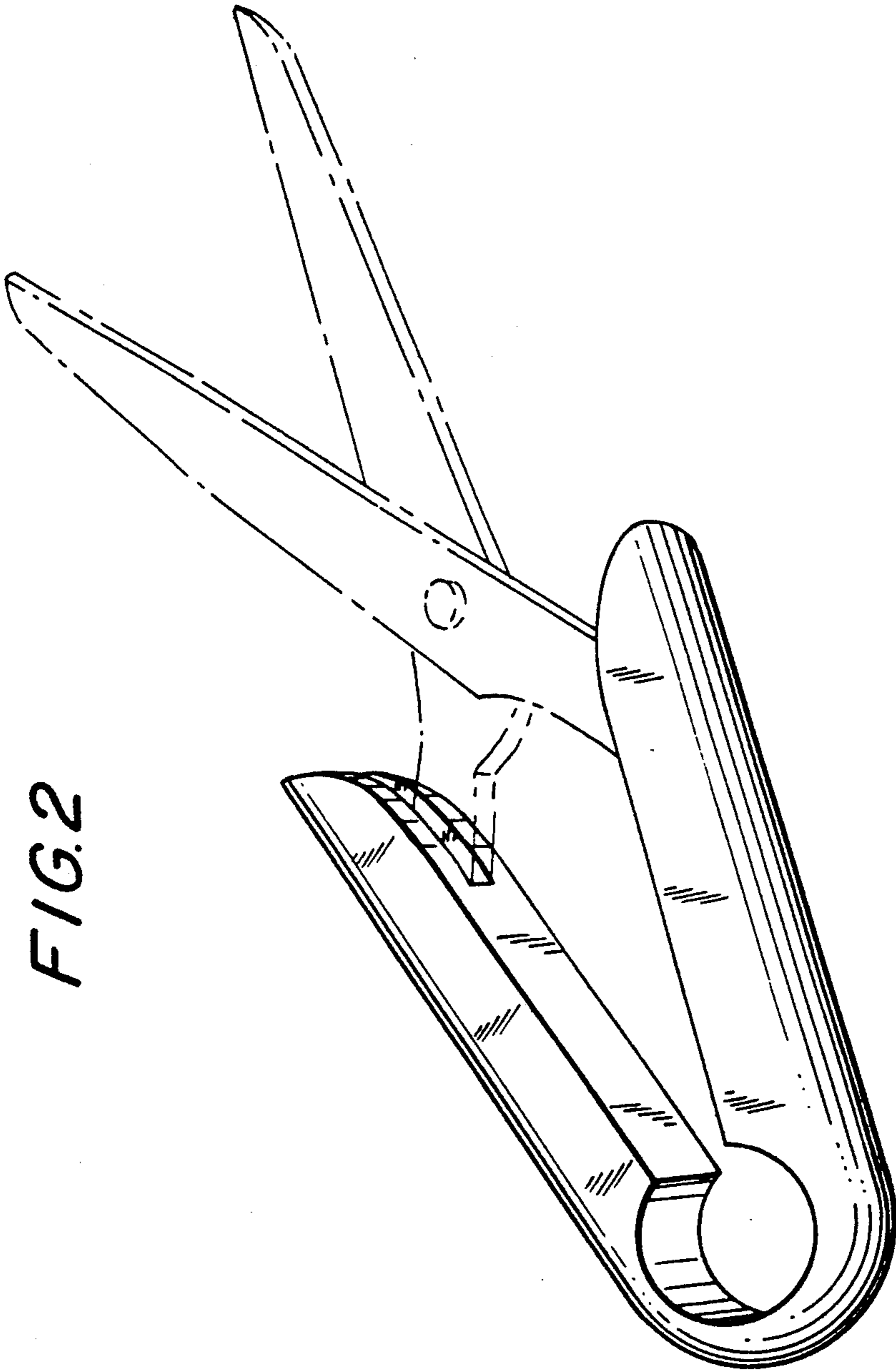


FIG. 2

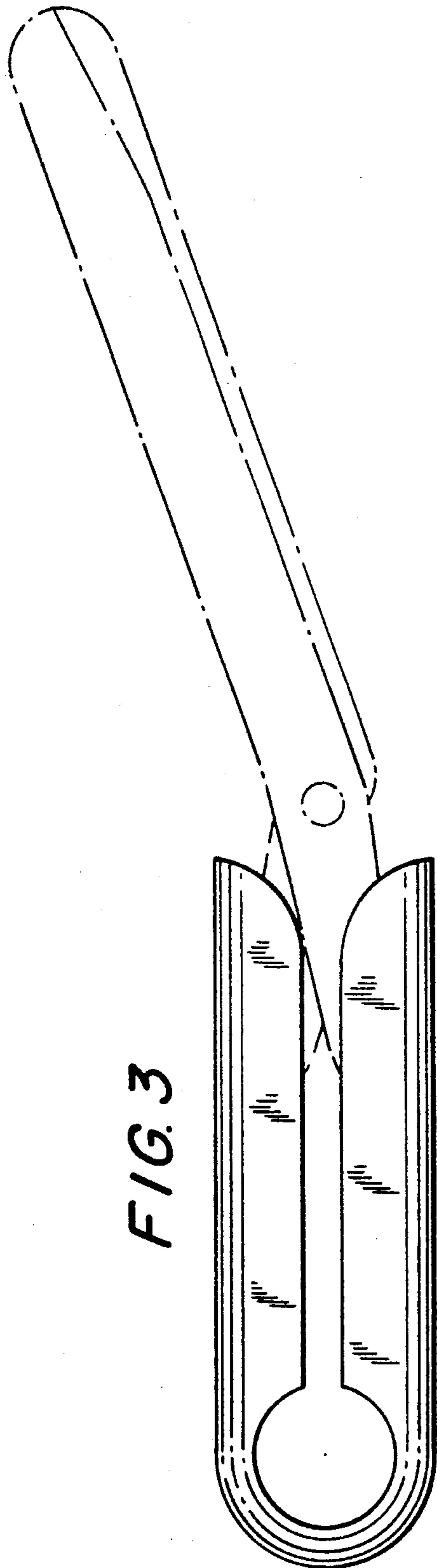


FIG. 3

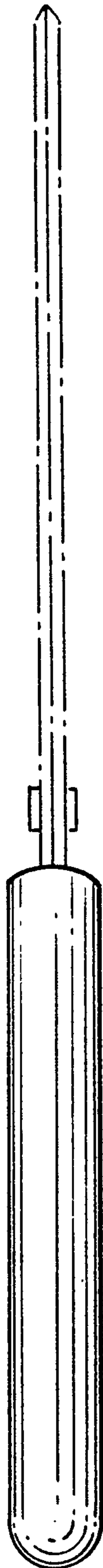


FIG. 4

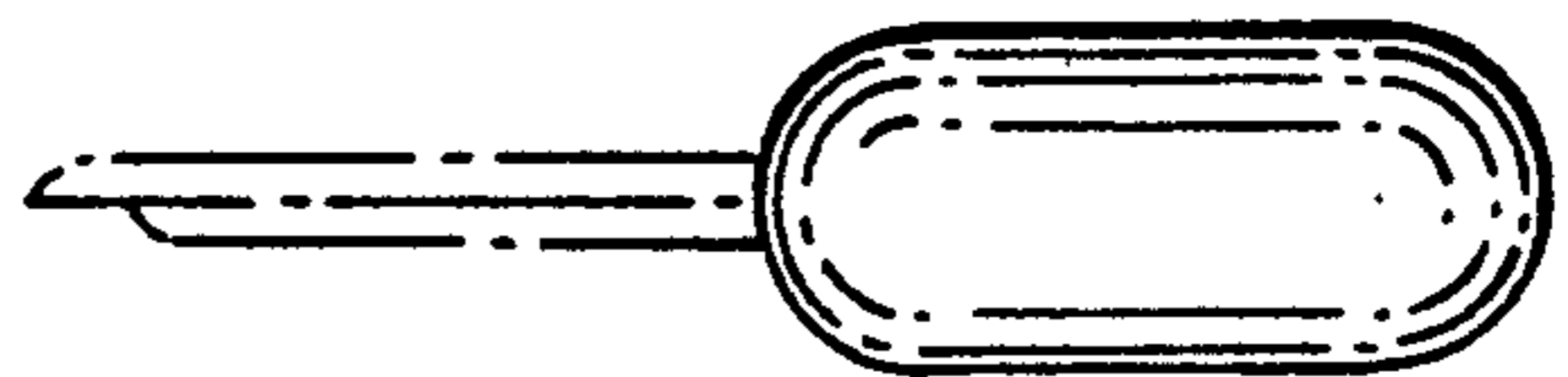


FIG. 5

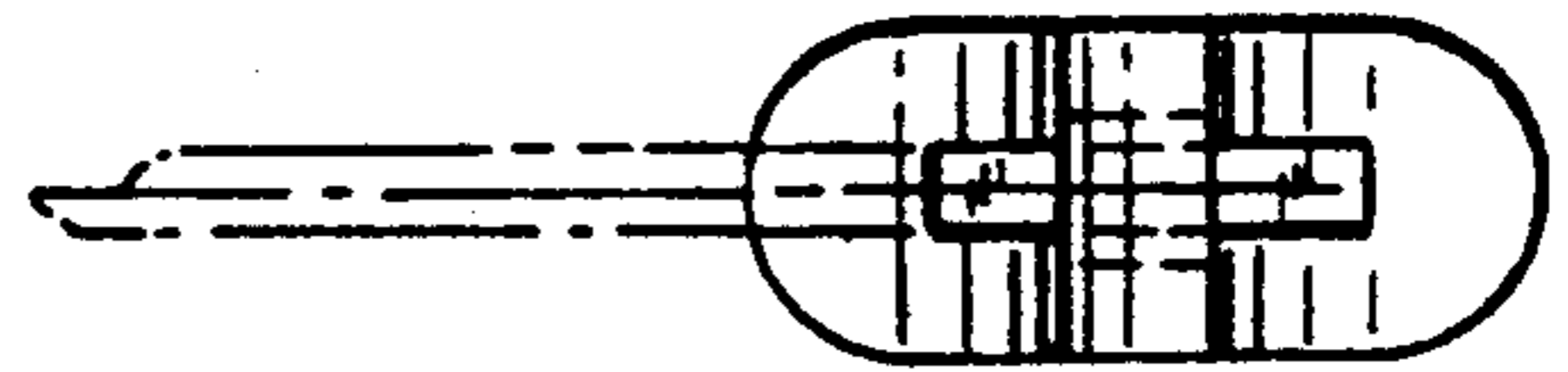


FIG. 6