



US00D331690S

United States Patent [19]

[11] Patent Number: **Des. 331,690**

Villarreal

[45] Date of Patent: **** Dec. 15, 1992**

[54] COMBINATION TOOL

3,038,177	6/1962	Mächtle	7/144
4,268,927	5/1981	Bridwell	7/143
4,581,782	4/1986	Riley	D8/81

[76] Inventor: **David Villarreal**, 1216 W. 143rd, East Chicago, Ind. 46312-2608

Primary Examiner—Bernard Ansher
Assistant Examiner—Philip Hyder
Attorney, Agent, or Firm—Terry M. Gernstein

[**] Term: **14 Years**

[21] Appl. No.: **565,750**

[57] **CLAIM**

[22] Filed: **Aug. 13, 1990**

The ornamental design for a combination tool, as shown and described.

[52] U.S. Cl. **D8/81**

[58] Field of Search **D8/75, 81, 26, 105; 7/142, 143, 144, 146, 147, 158, 165, 138**

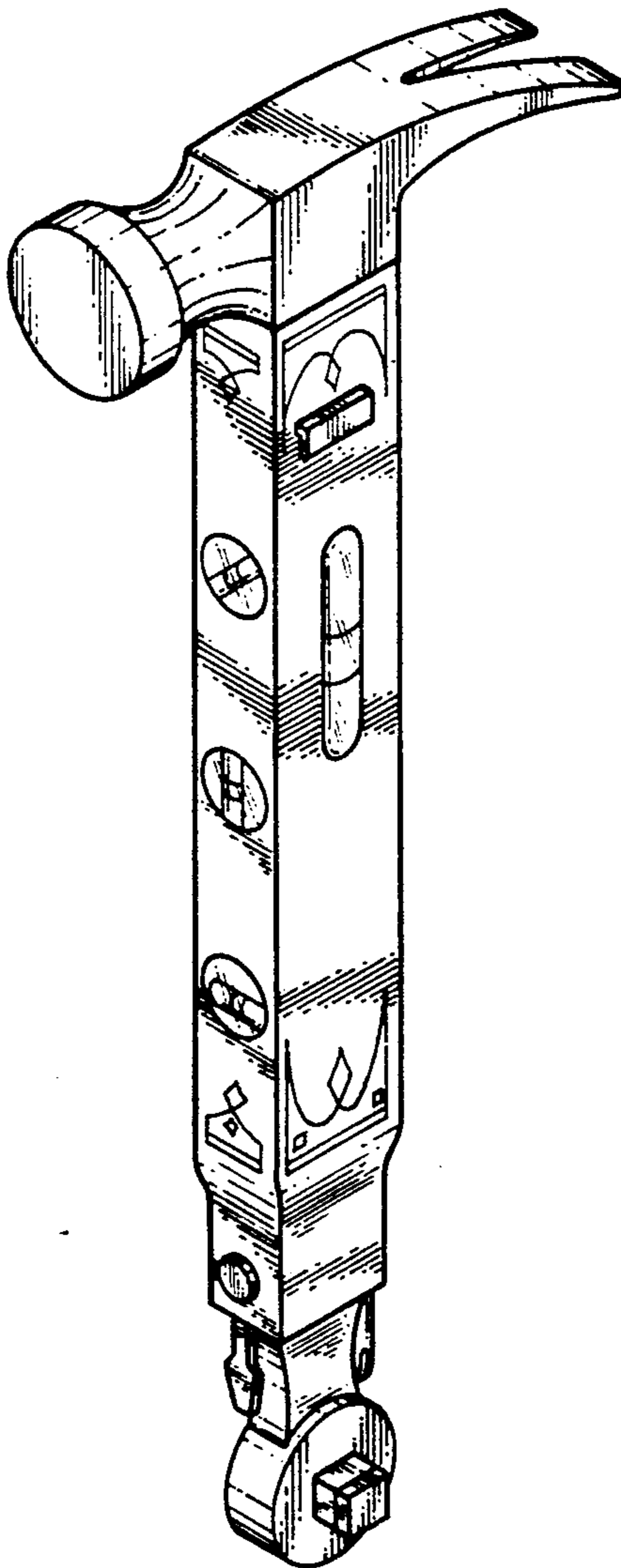
DESCRIPTION

[56] **References Cited**

FIG. 1 is a perspective view of a combination tool showing my new design;
FIG. 2 is a left side elevational view thereof;
FIG. 3 is a rear elevational view thereof;
FIG. 4 is a front elevational view thereof;
FIG. 5 is a right side elevational view thereof;
FIG. 6 is a top plan view; and,
FIG. 7 is a bottom plan view thereof.

U.S. PATENT DOCUMENTS

D. 30,322	3/1899	Austin	D8/81
D. 33,247	9/1900	Cederquist	D8/81
D. 281,216	11/1985	Cutliff, Jr. et al.	D8/81
D. 290,334	5/1987	Reynolds, Jr.	D8/105
1,107,701	8/1914	Plein	7/146



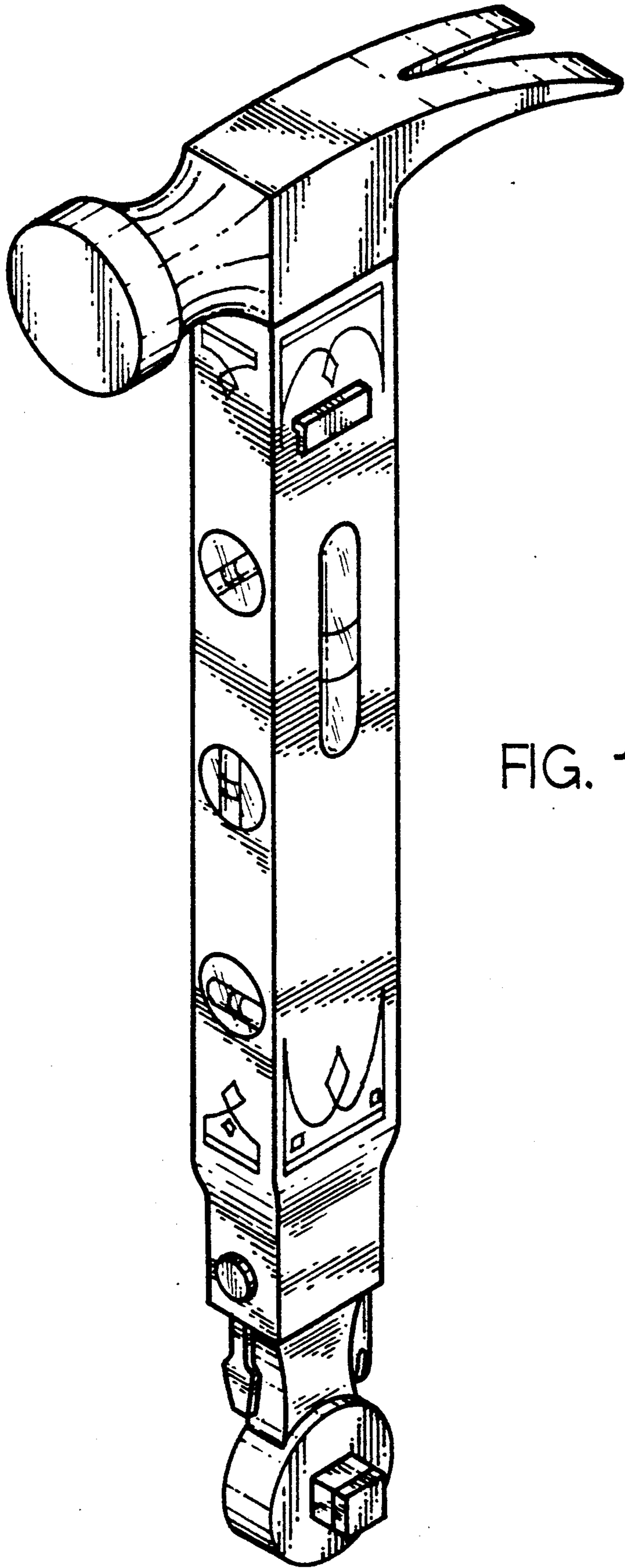


FIG. 1

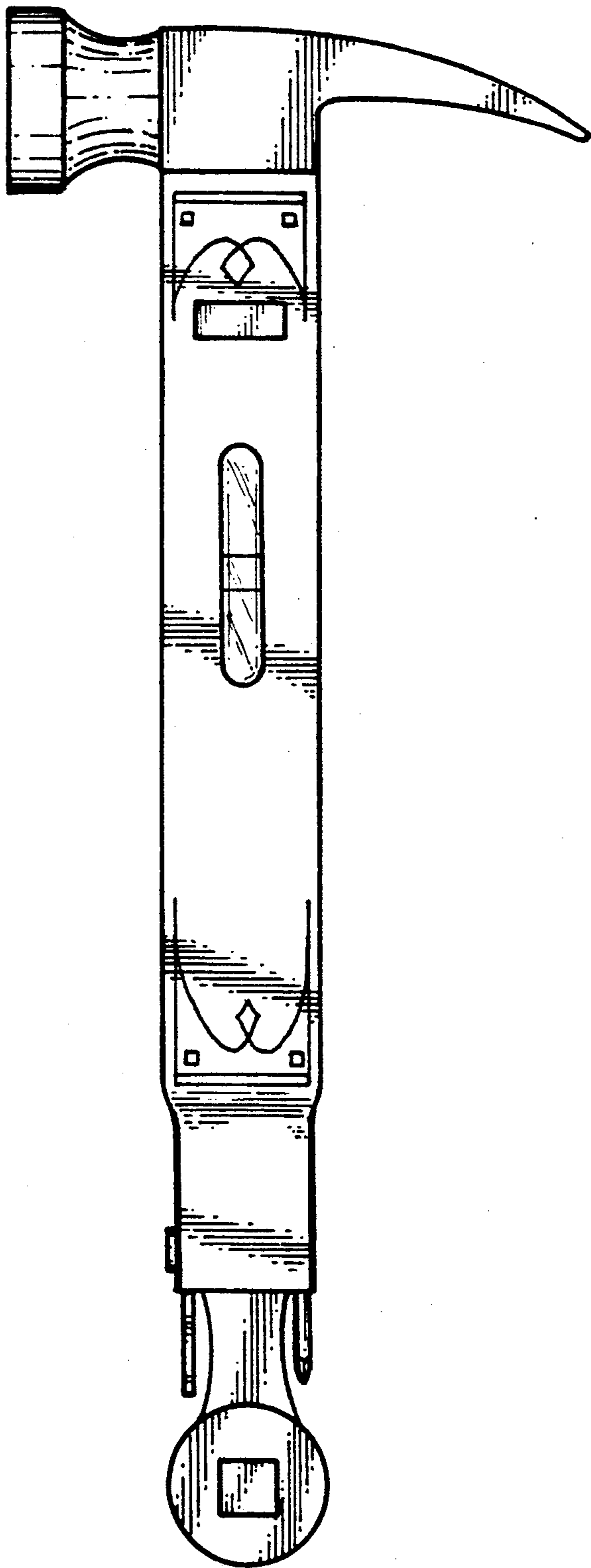


FIG. 4

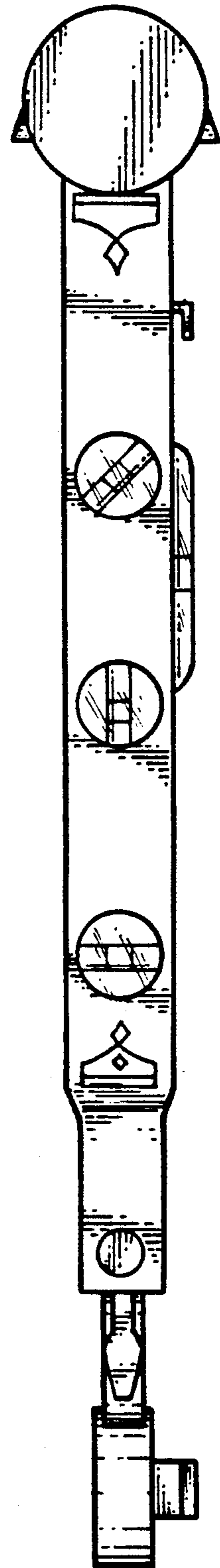


FIG. 2

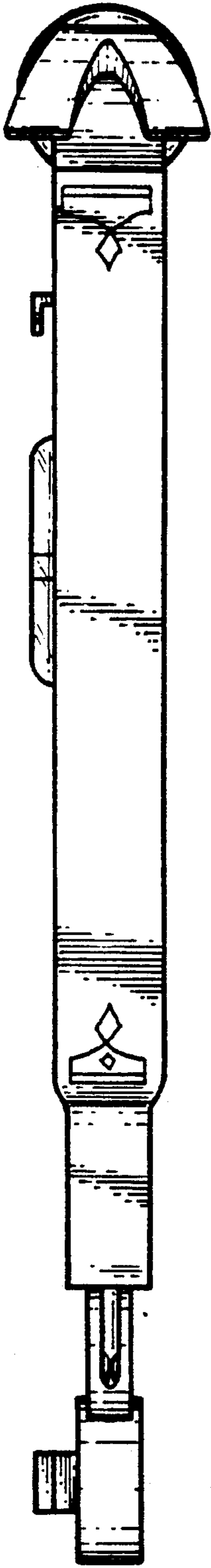


FIG. 5

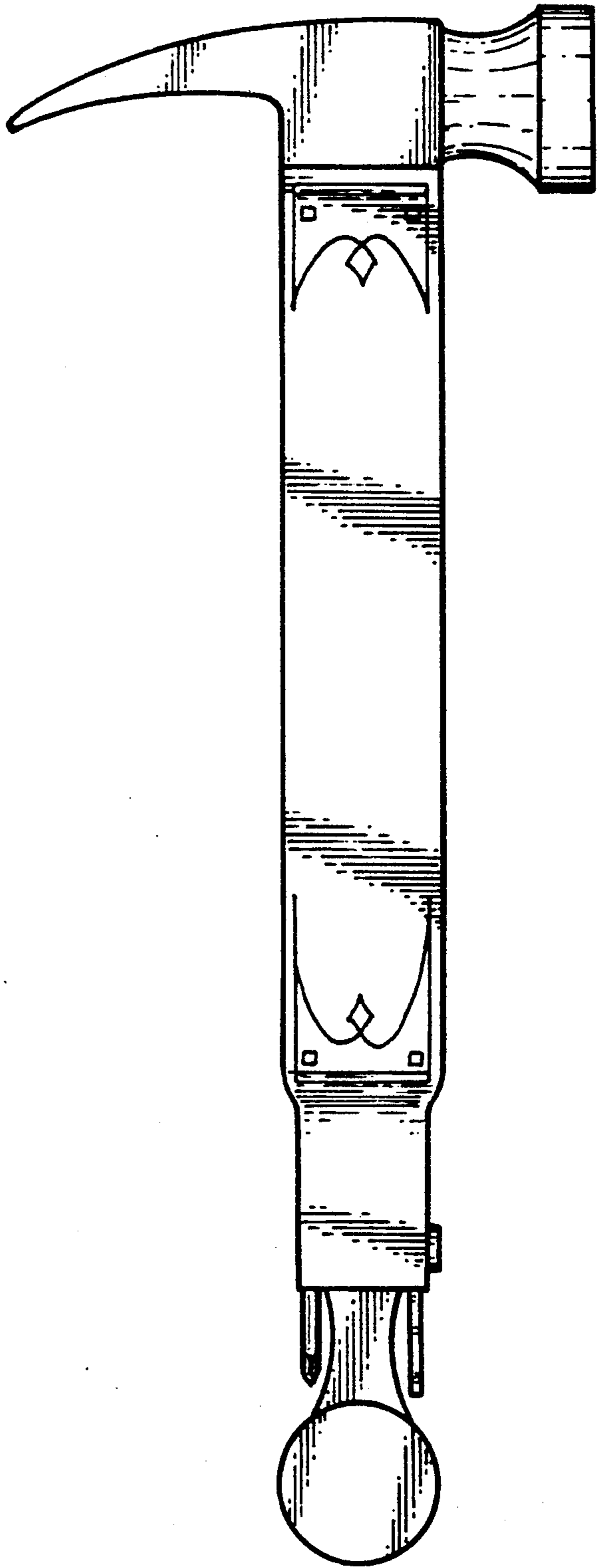


FIG. 3

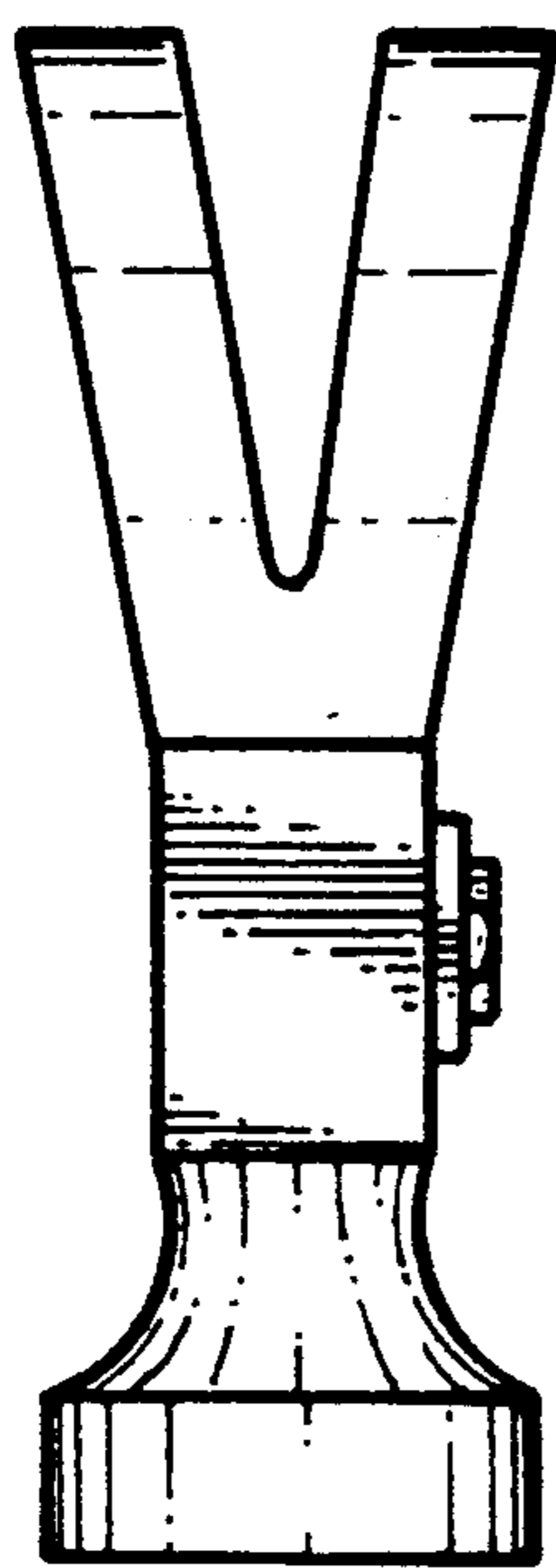


FIG. 6

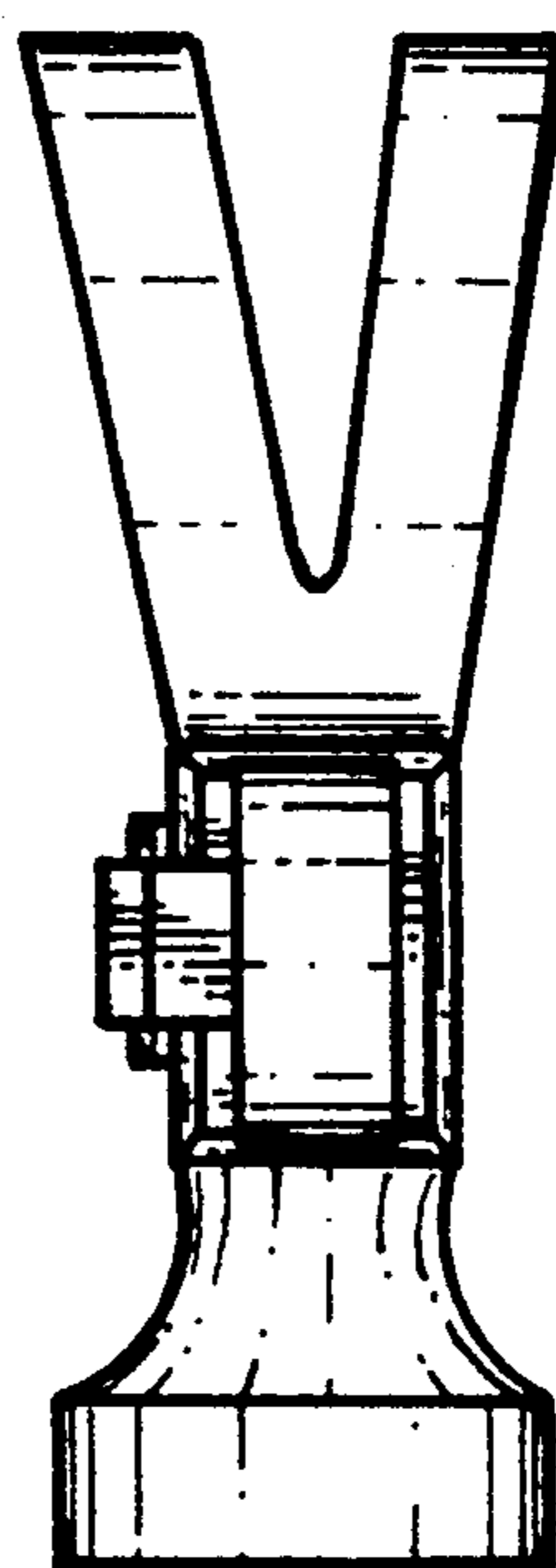


FIG. 7