



US00D331688S

United States Patent [19]

[11] Patent Number: **Des. 331,688**

Busse

[45] Date of Patent: **** Dec. 15, 1992**

[54] **KNIFE SHARPENER OR THE LIKE**

[75] Inventor: **Rido Busse**, Elchingen, Fed. Rep. of Germany

[73] Assignee: **J.A. Henckels Zwillingwerk AG**, Fed. Rep. of Germany

[**] Term: **14 Years**

[21] Appl. No.: **596,346**

[22] Filed: **Oct. 12, 1990**

[30] **Foreign Application Priority Data**

Apr. 19, 1990 [DE] Fed. Rep. of Germany 9002744

[52] U.S. Cl. **D8/63**

[58] Field of Search **D8/63, 90-93;**
51/80 BS, 84 BS, 98 BS, 109 BS, 211 H, 214,
205 WG, 173; 76/82, 85, 83

[56] **References Cited**

U.S. PATENT DOCUMENTS

D. 289,885 5/1987 Ader D8/63

D. 295,142 4/1988 Patrick D8/93

D. 299,308 1/1989 Prindle D8/93

D. 309,415 7/1990 Shimizu D8/63

4,751,795 6/1988 Jenne 51/205 WG

4,799,335 1/1989 Battocchi 51/214

4,928,436 5/1990 Linden 51/80 BS

OTHER PUBLICATIONS

P. 31, Henckels brochure.

Primary Examiner—Carmen H. Vales-Lado

Assistant Examiner—J. H. Musgrove

[57] CLAIM

The ornamental design for a knife sharpener or the like, as shown and described.

DESCRIPTION

FIG. 1 is a top, front and left-side perspective view of a knife sharpener or the like showing my new design;

FIG. 2 is a left side elevational view;

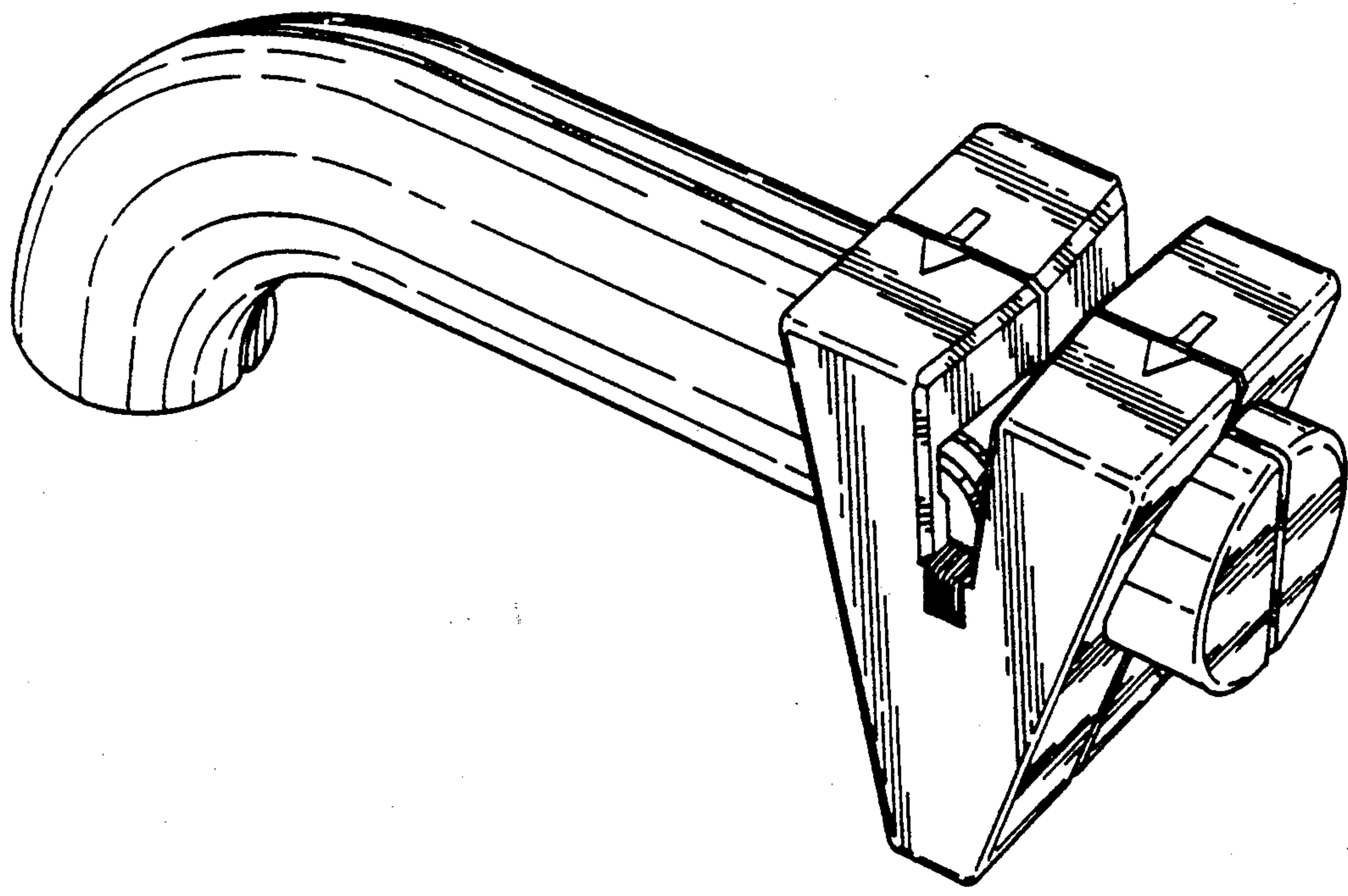
FIG. 3 is a bottom plan view;

FIG. 4 is a top plan view;

FIG. 5 is a right side elevational view;

FIG. 6 is a rear elevational view; and,

FIG. 7 is a front elevational view thereof.



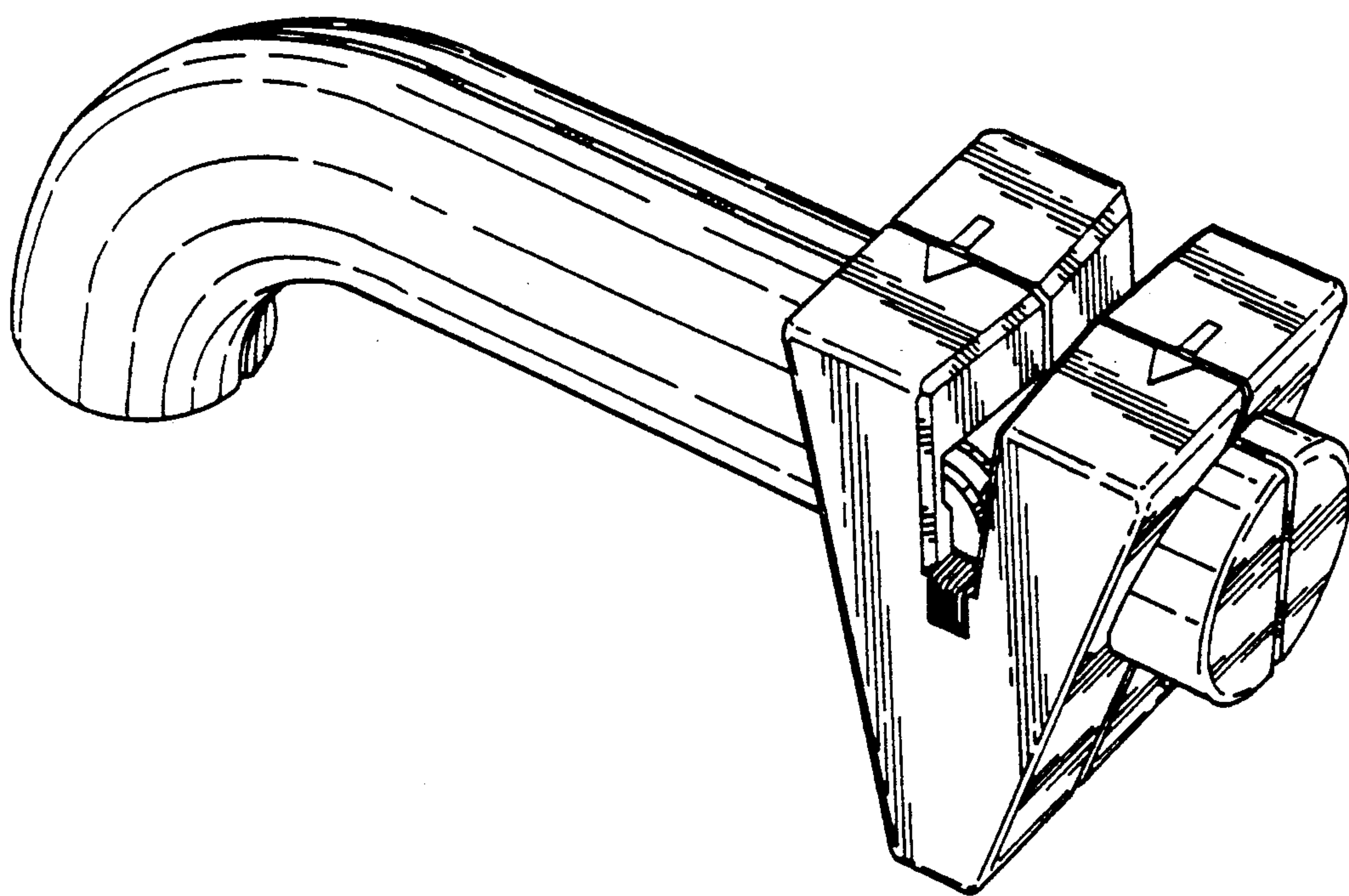


FIG. 1

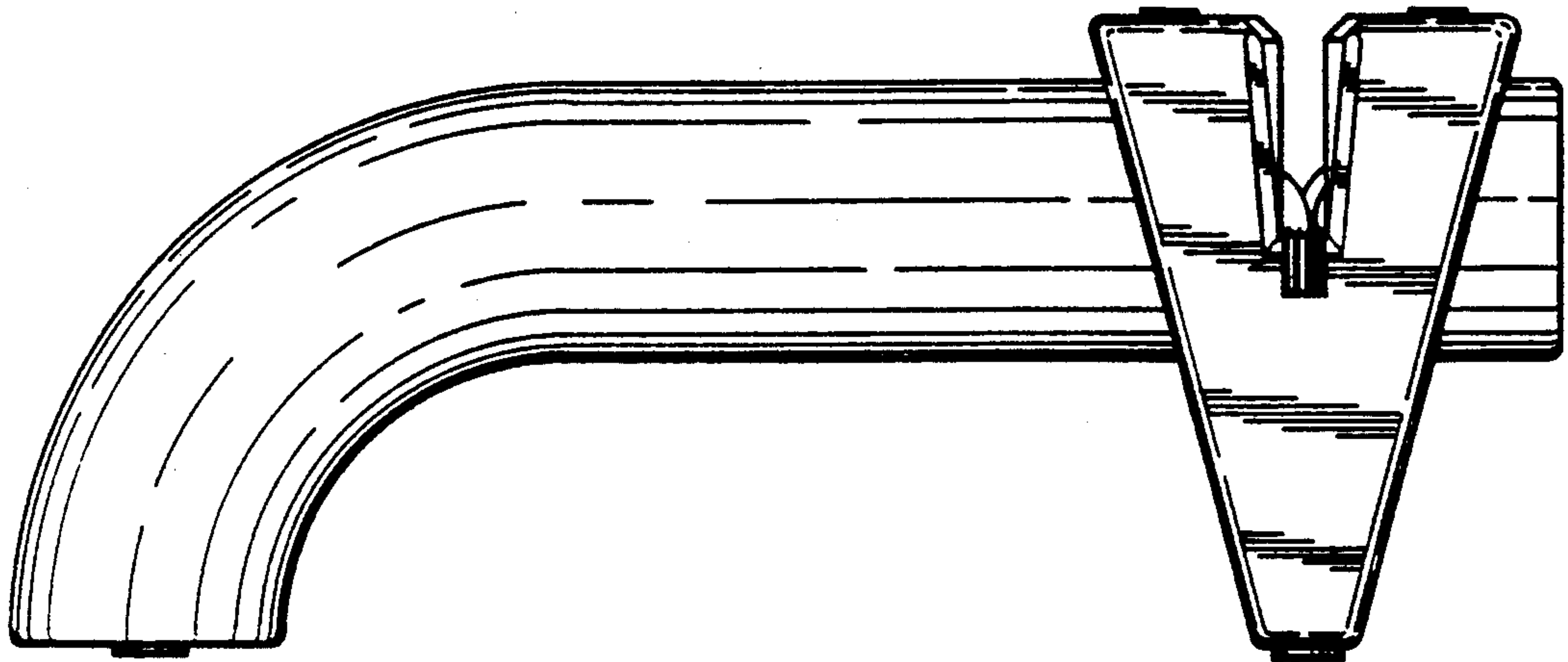


FIG. 2

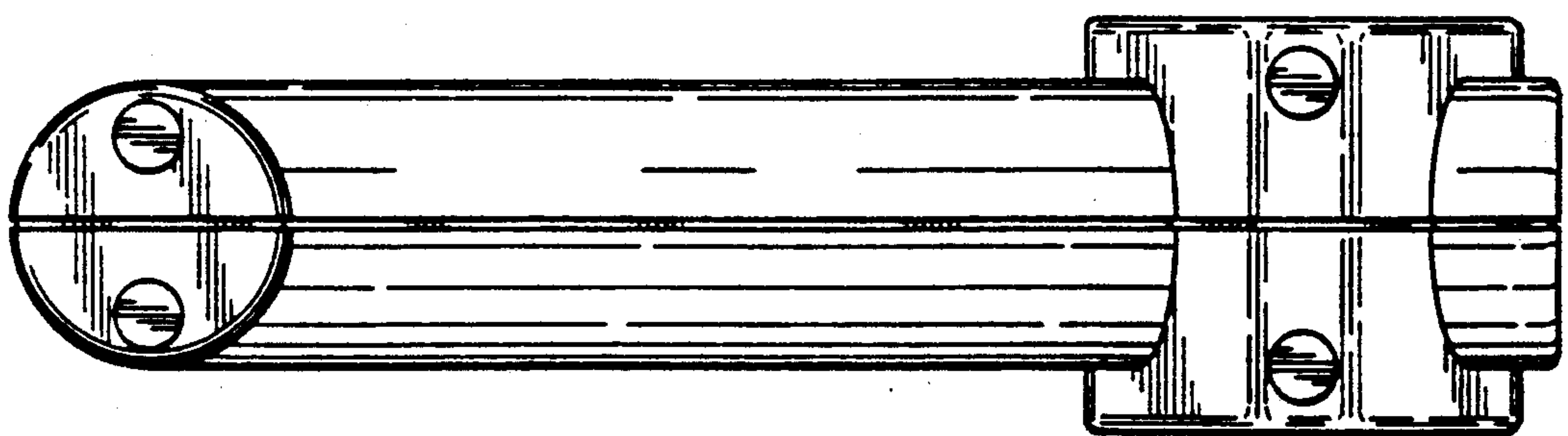


FIG. 3

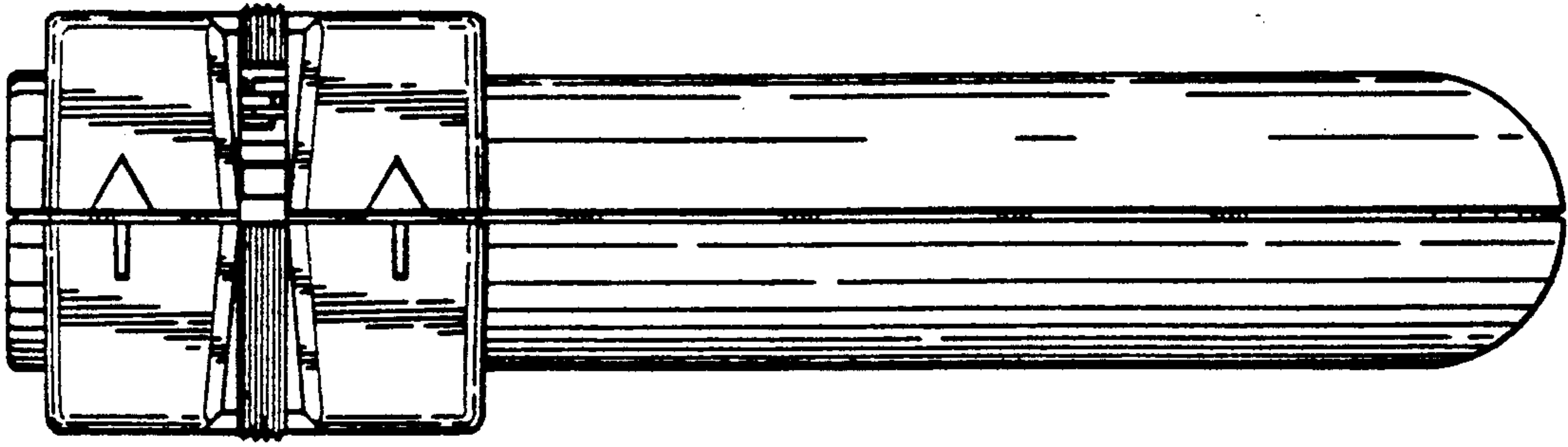


FIG. 4

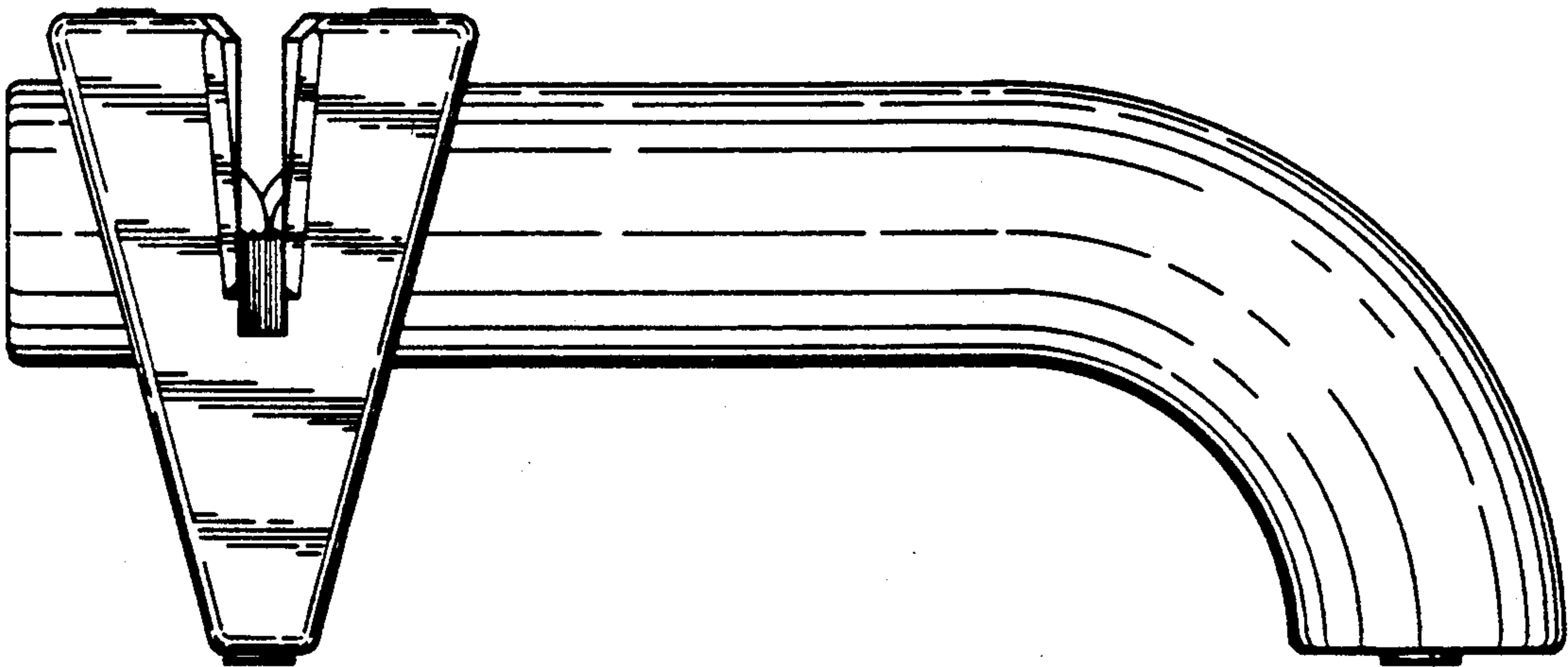


FIG. 5

FIG. 6

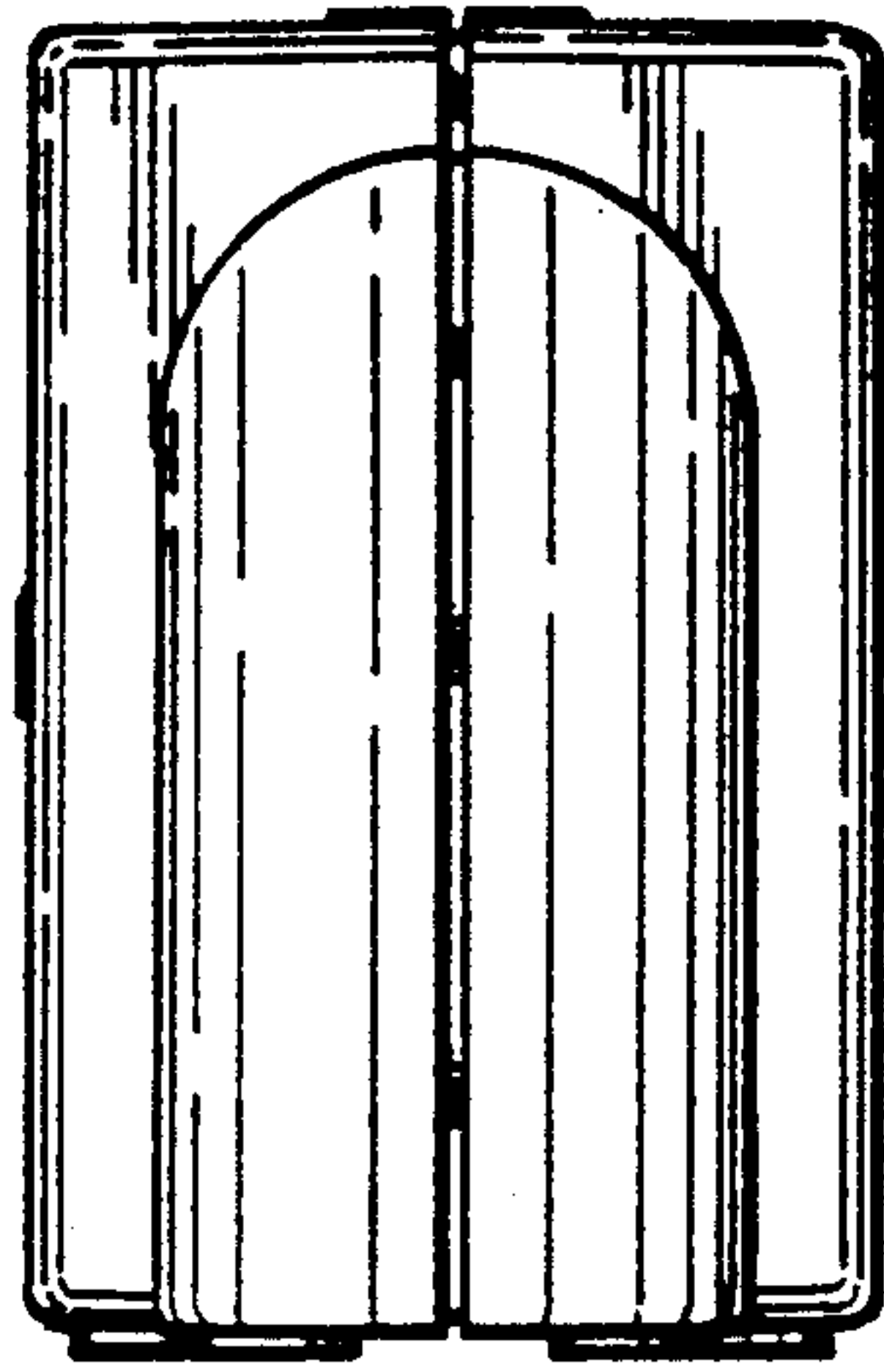


FIG. 7

