



US00D331684S

United States Patent [19]

[11] Patent Number: **Des. 331,684**

Trombley

[45] Date of Patent: **** Dec. 15, 1992**

[54] **BEER STEIN**

[75] Inventor: **Edward F. Trombley, Huntington Woods, Mich.**

[73] Assignee: **Punch Products USA, Inc., Rahway, N.J.**

[**] Term: **14 Years**

[21] Appl. No.: **473,704**

[22] Filed: **Feb. 2, 1990**

[52] U.S. Cl. **D7/536; D7/533**

[58] Field of Search **D7/317, 536, 321, 312, D7/511, 510, 523, 533, 509; 220/703; 215/1 R; D9/392**

D. 263,916	4/1982	Reece	D7/510
D. 277,921	3/1985	Otto	D7/536
D. 285,637	9/1986	Zieh et al.	D7/536
D. 287,322	12/1986	Martin	D7/536
2,075,137	3/1937	Rosen	D7/536 X
4,928,848	5/1990	Ballway	220/703 X
5,029,720	7/1991	Bridges	D7/536 X

Primary Examiner—Nelson C. Holtje
Assistant Examiner—M. N. Pandozzi
Attorney, Agent, or Firm—David H. Judson

[57] CLAIM

The ornamental design for a beer stein, as shown and described.

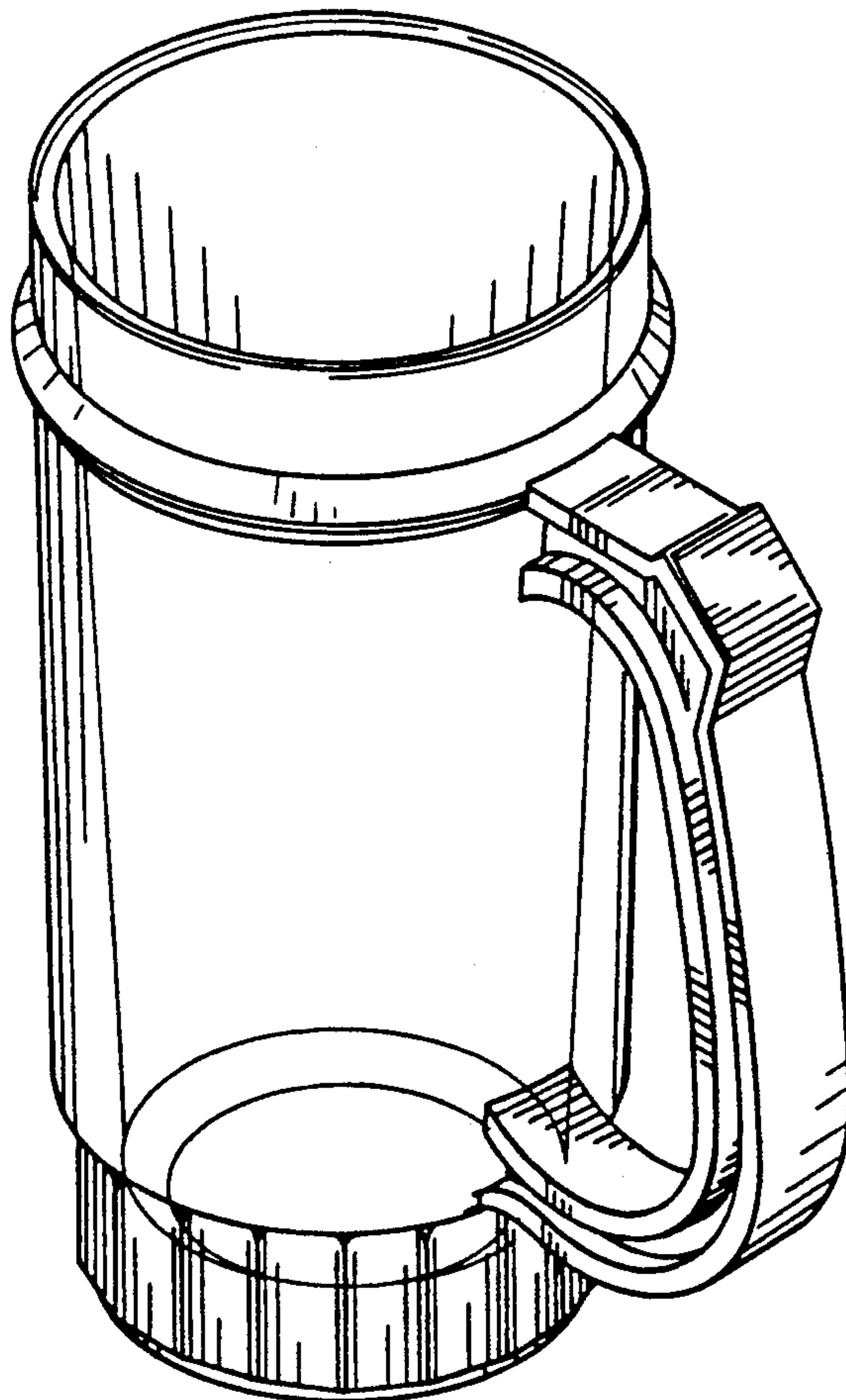
DESCRIPTION

FIG. 1 is a top, front, left perspective view of a beer stein showing my new design;
FIG. 2 is a front elevational view thereof;
FIG. 3 is a top plan view thereof;
FIG. 4 is a right side elevational view, the left side elevational view being a mirror image thereof;
FIG. 5 is a rear elevational view thereof; and,
FIG. 6 is a bottom plan view thereof.

[56] References Cited

U.S. PATENT DOCUMENTS

D. 5,738	4/1872	Ballinger	D7/536
D. 6,506	3/1873	Miller	D7/536
D. 46,619	11/1914	Fisher	220/703 X
D. 161,712	1/1951	Roop	D7/536
D. 248,506	7/1978	Doglio, III	D7/312 X



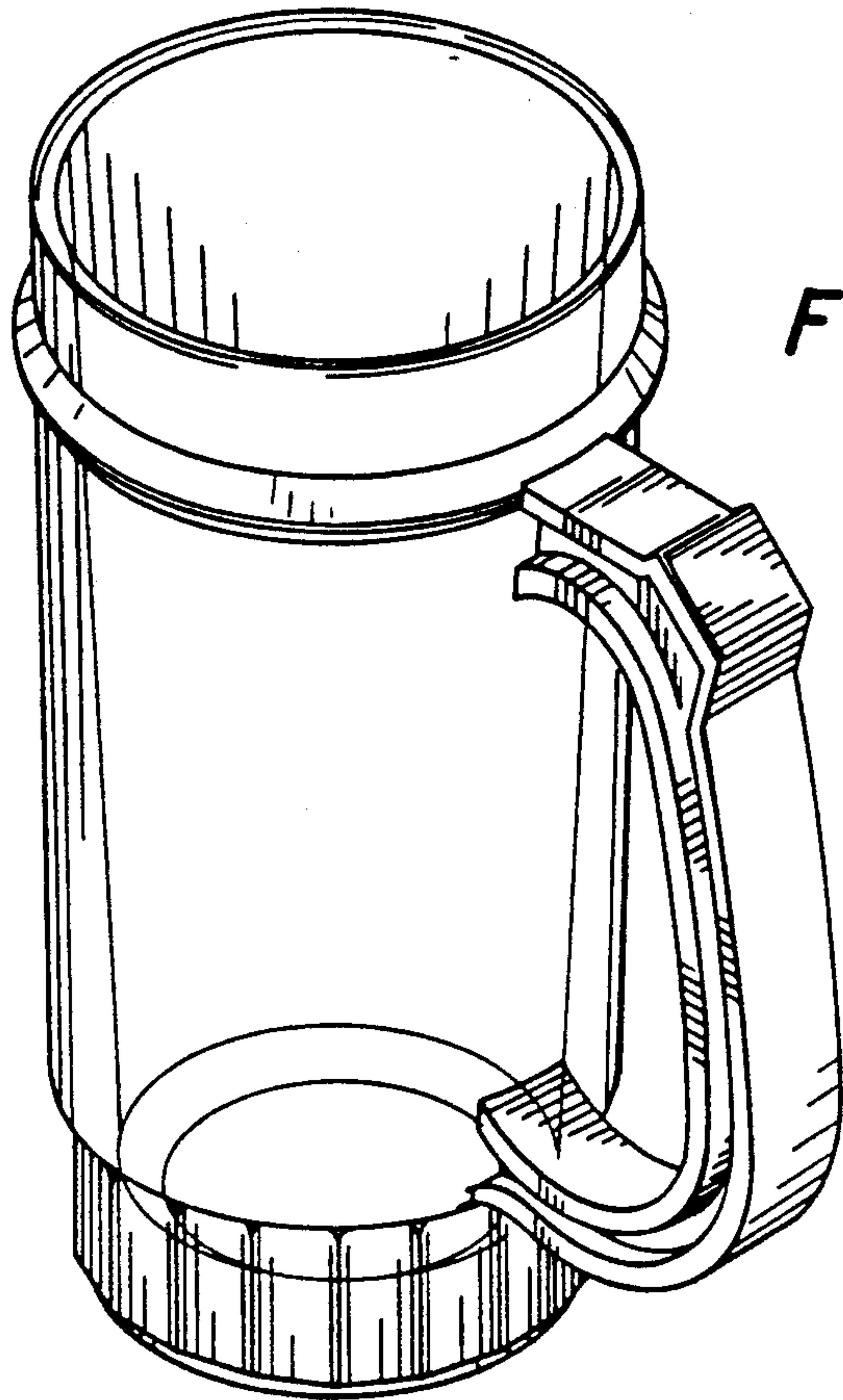


FIG. 1

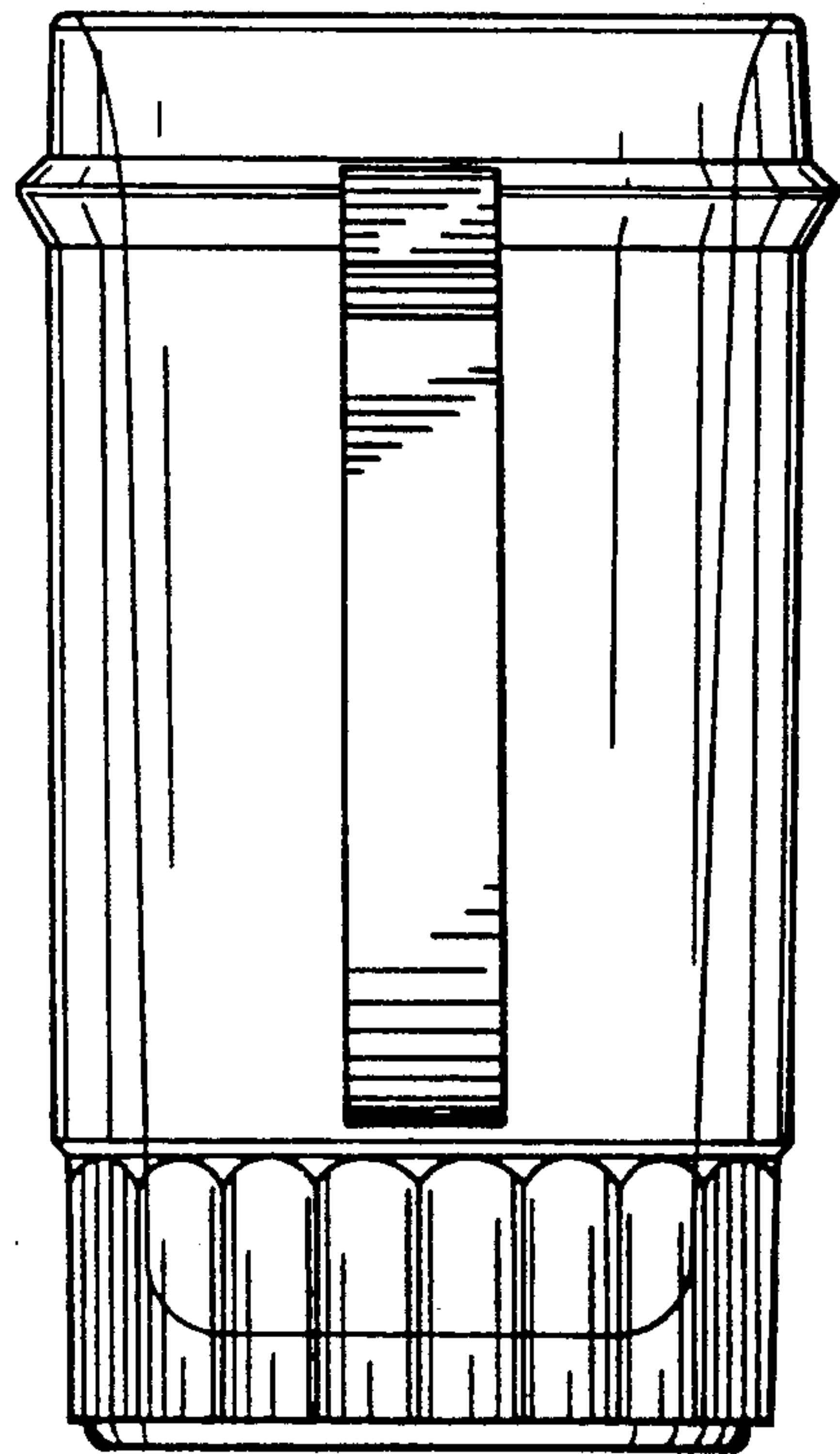


FIG. 2

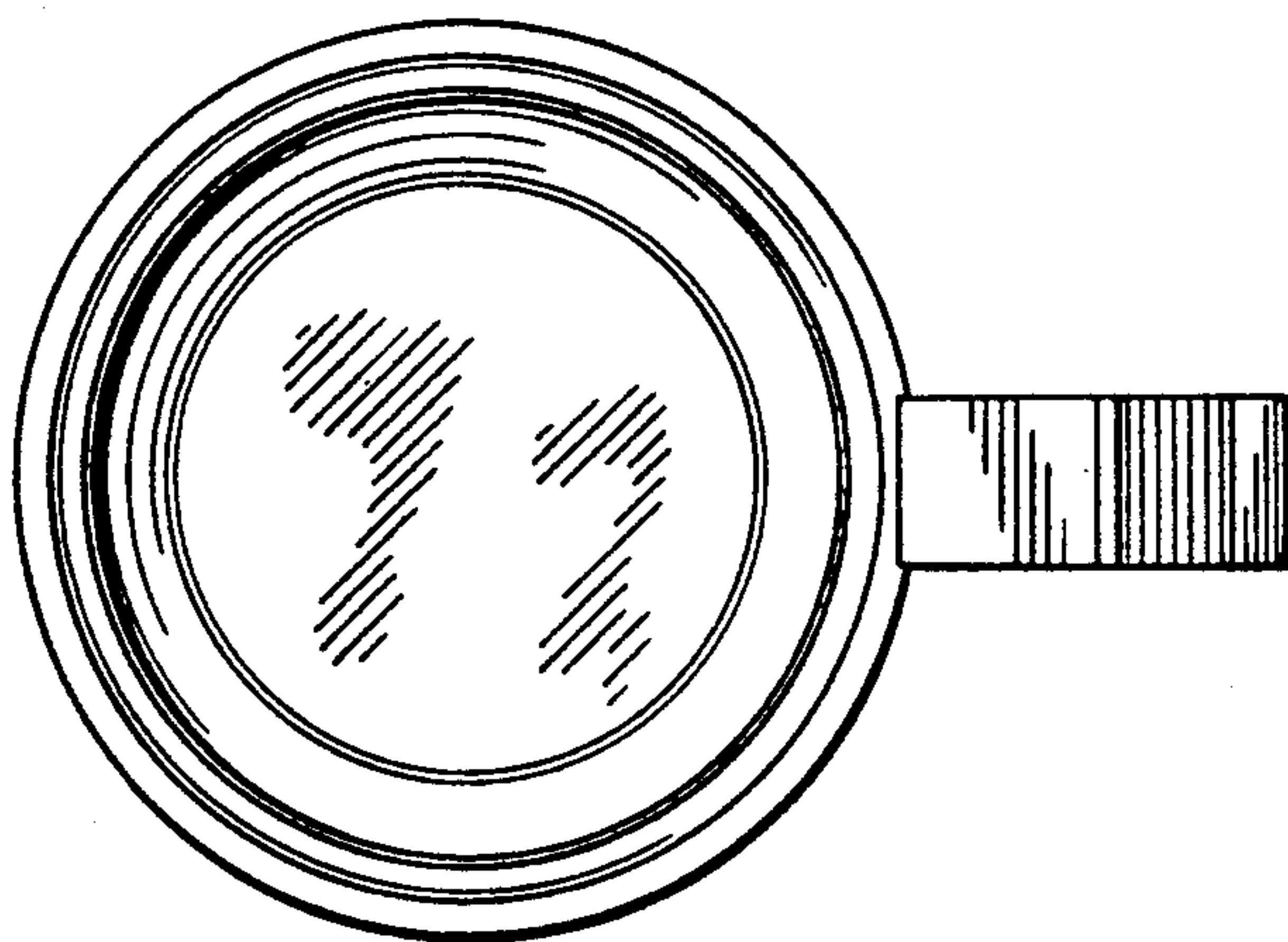


FIG. 3

FIG. 4

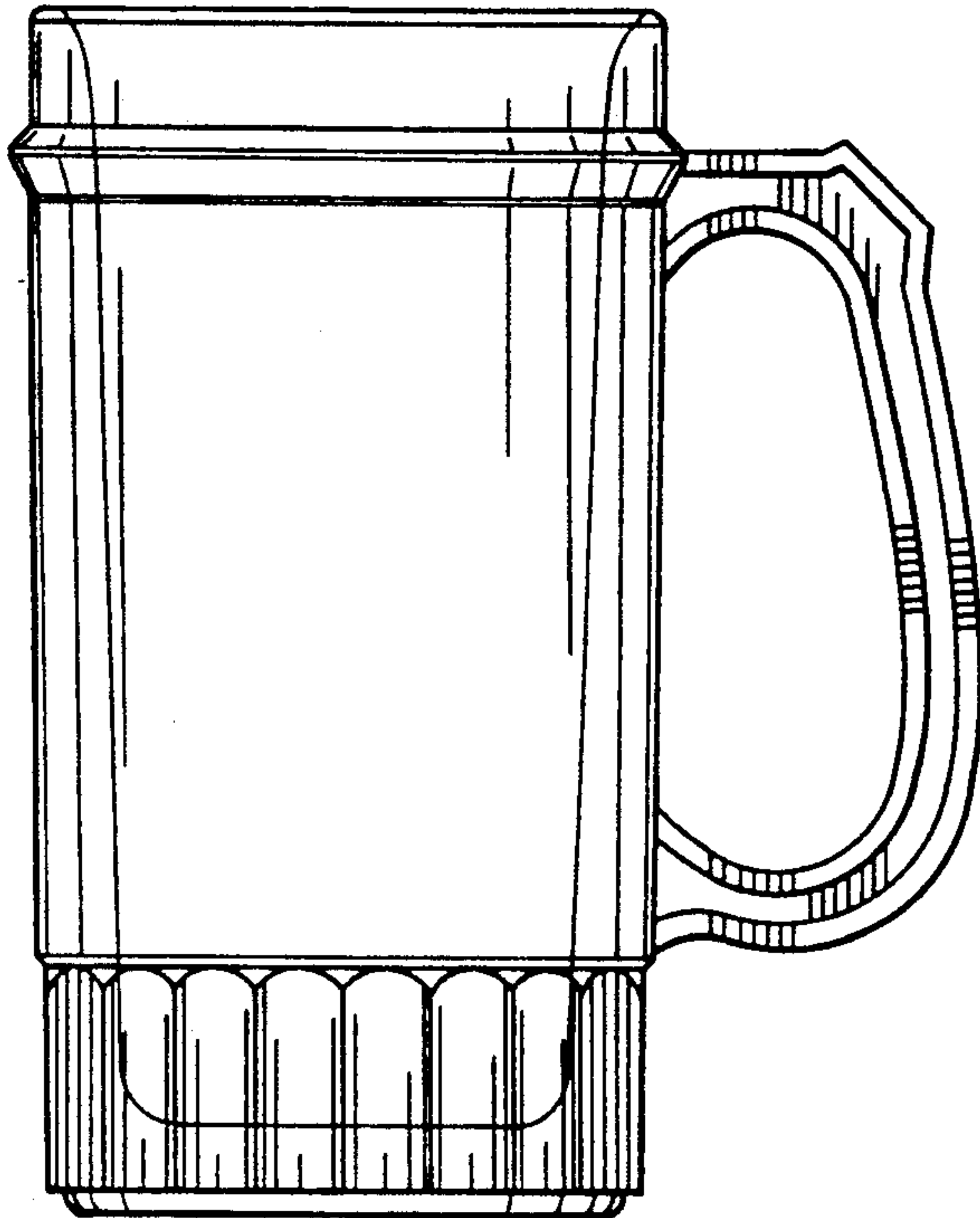


FIG. 5

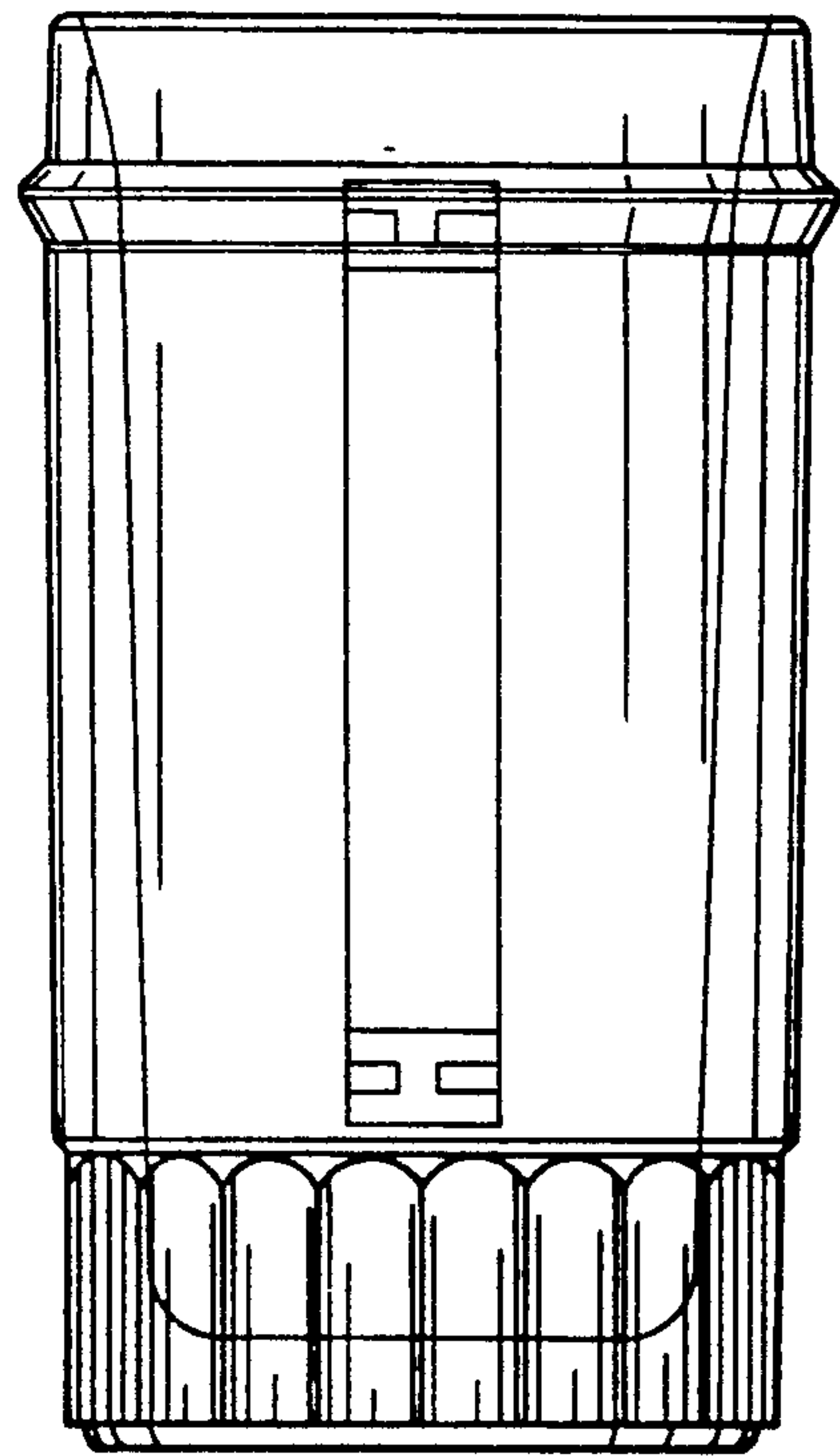


FIG. 6

