



US00D331675S

United States Patent [19]

[11] Patent Number: **Des. 331,675**

David

[45] Date of Patent: **** Dec. 15, 1992**

[54] **DISPLAY RACK**

[75] Inventor: **Henry B. David, Glendale, Calif.**

[73] Assignee: **Melco Wire Products Company, Glendale, Calif.**

[**] Term: **14 Years**

[21] Appl. No.: **862,263**

[22] Filed: **Apr. 2, 1992**

[52] U.S. Cl. **D6/462; D6/467; D24/228**

[58] Field of Search **D6/396, 449, 416, 462-465, D6/466-468, 475, 476; D24/227-229; 211/126, 74, 706, 150, 13, 181**

[56] **References Cited**

U.S. PATENT DOCUMENTS

D. 46,656	11/1914	Bamberger	D6/468
D. 100,442	7/1936	Sherrick	D24/228
D. 167,356	7/1952	Jensen	D24/228 X
D. 220,192	3/1971	Baxter	D6/465
D. 236,840	9/1975	Farrough	D24/228

D. 264,157	5/1982	Karsikas	D24/228 X
D. 288,266	2/1987	Campbell	D6/462
D. 987,194	6/1961	Burge	211/150 X
3,244,288	4/1966	Schreter	211/74
4,345,688	8/1982	De Boer	211/70.6
4,705,178	11/1987	Vail, Sr. et al.	D6/462 X

Primary Examiner—Alan P. Douglas
Assistant Examiner—Jeffrey Asch
Attorney, Agent, or Firm—Michael A. Painter

[57] **CLAIM**

The ornamental design for a display rack, as shown and described.

DESCRIPTION

FIG. 1 is a perspective view of a display rack illustrating my new design;
FIG. 2 is a front elevation view thereof, the rear view being identical in appearance;
FIG. 3 is a right side elevation view thereof, the left side elevation view being identical in appearance;
FIG. 4 is a top plan view thereof; and,
FIG. 5 is a bottom plan view thereof.

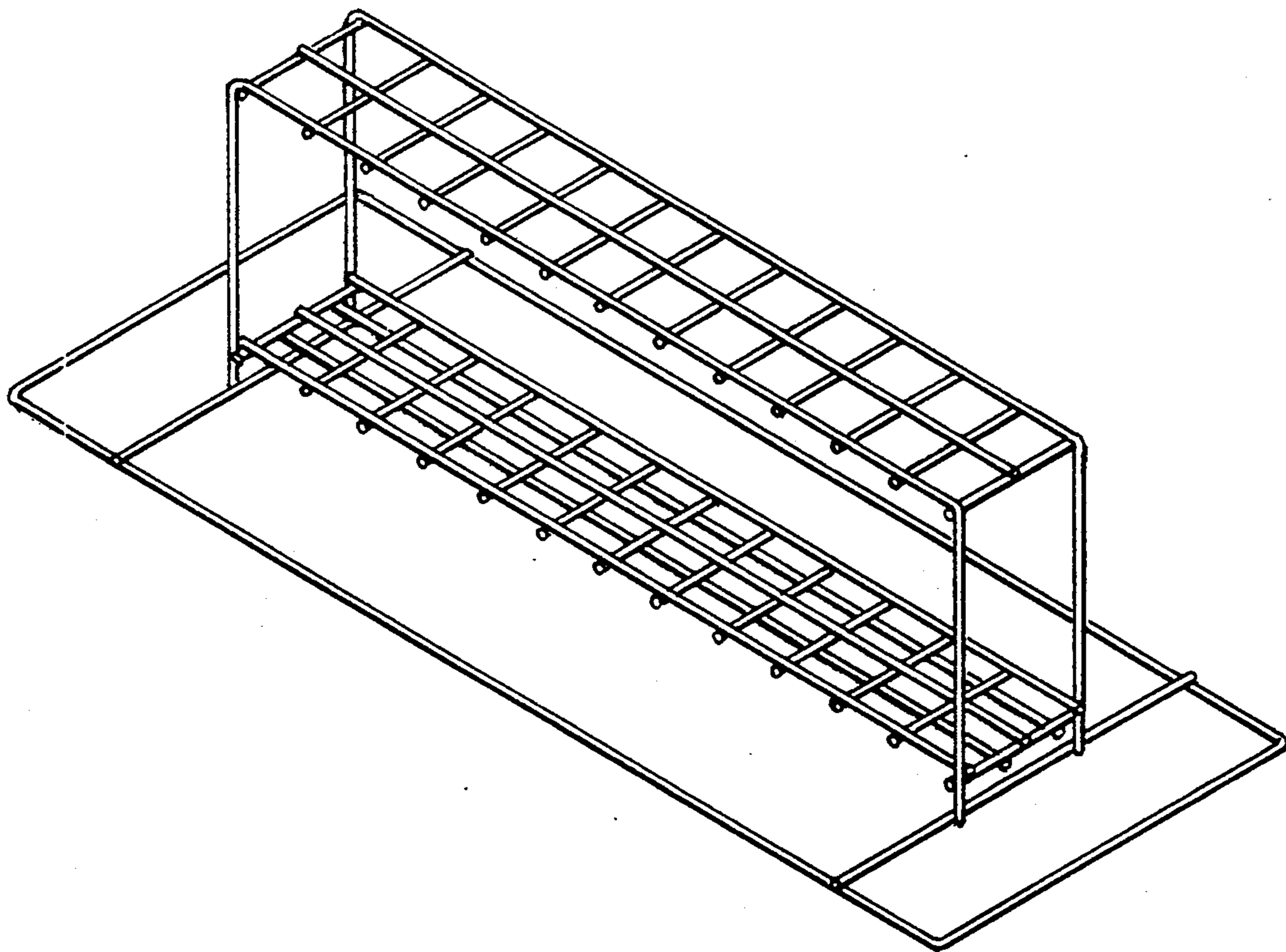


FIG. 1.

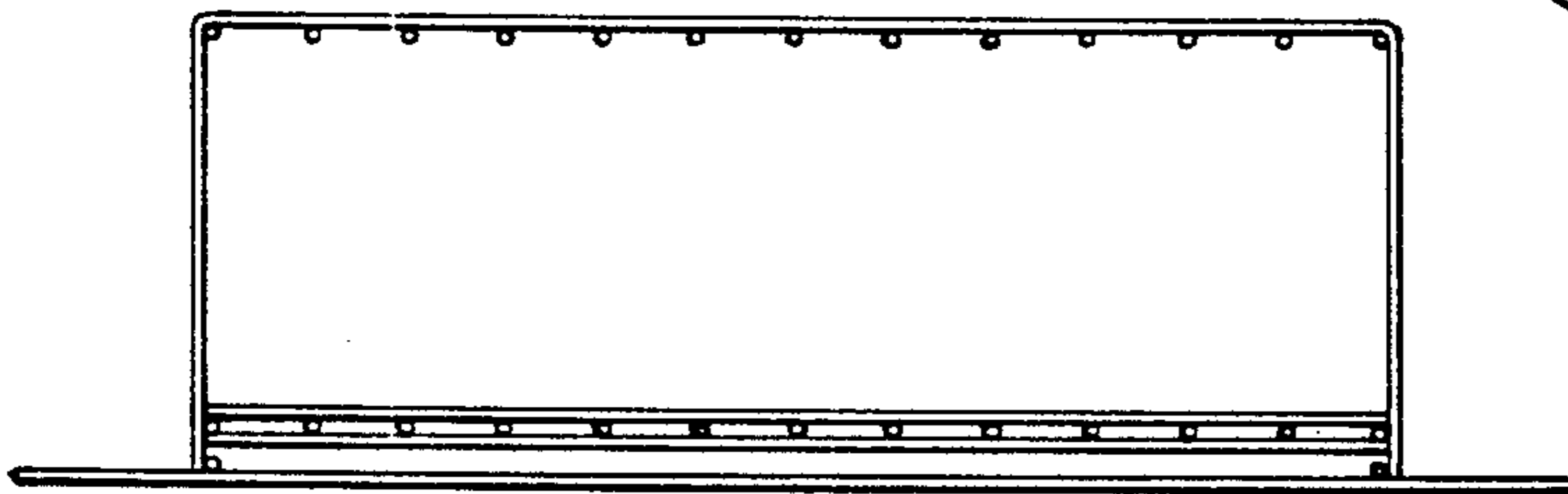
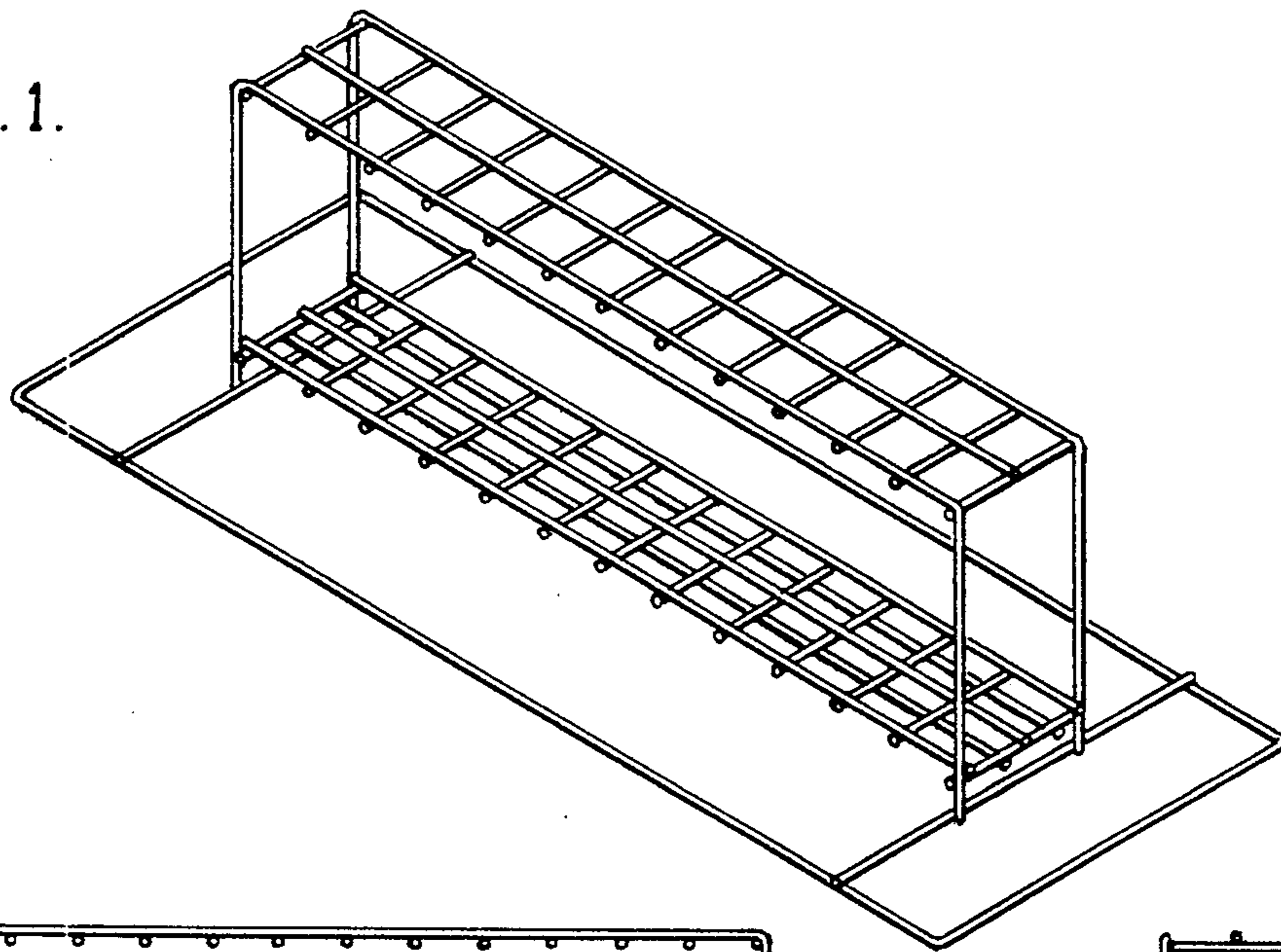


FIG. 2.

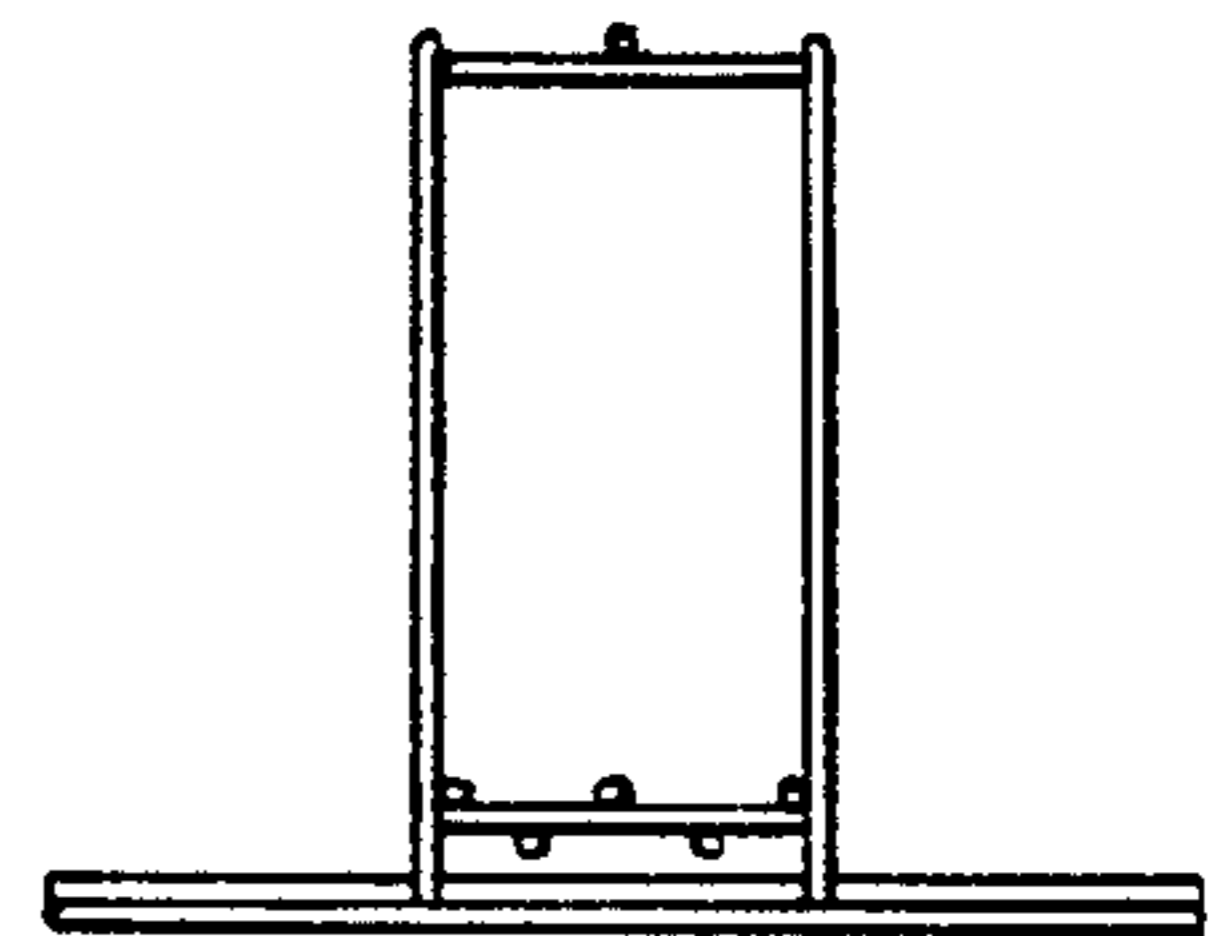


FIG. 3.

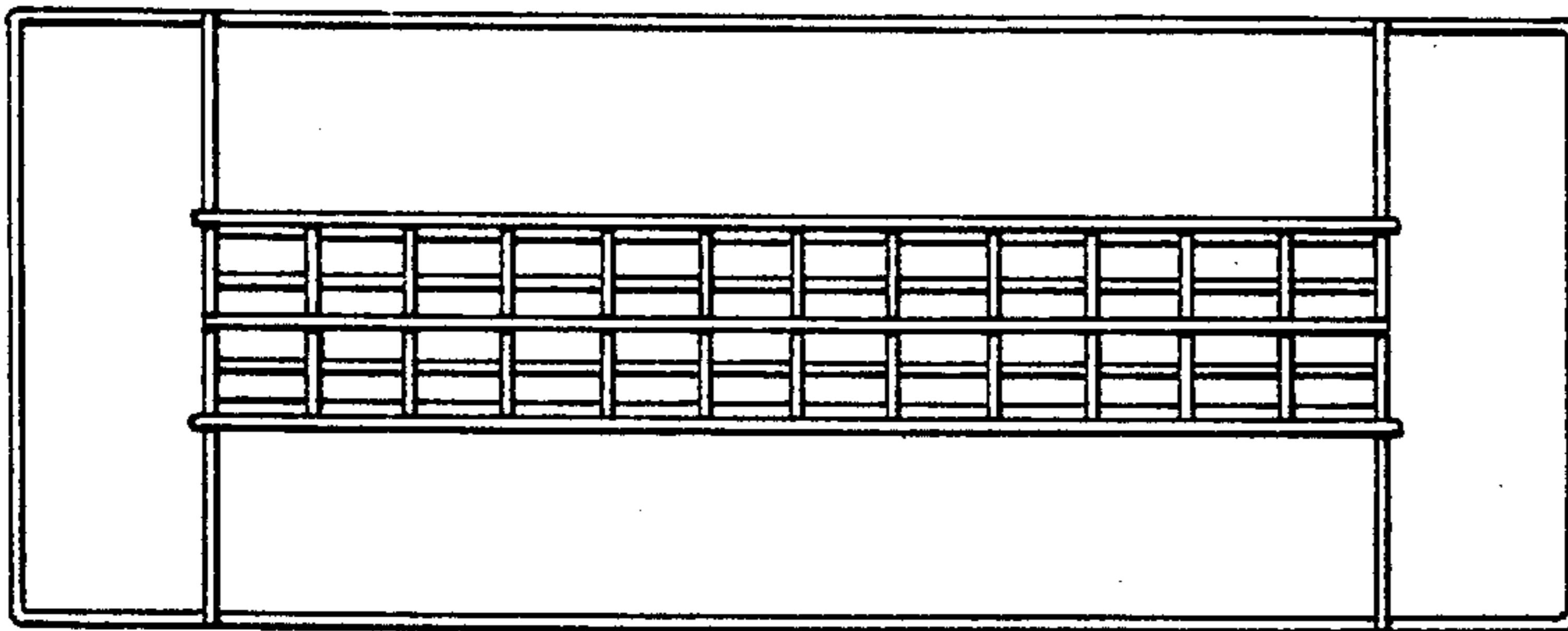


FIG. 4.

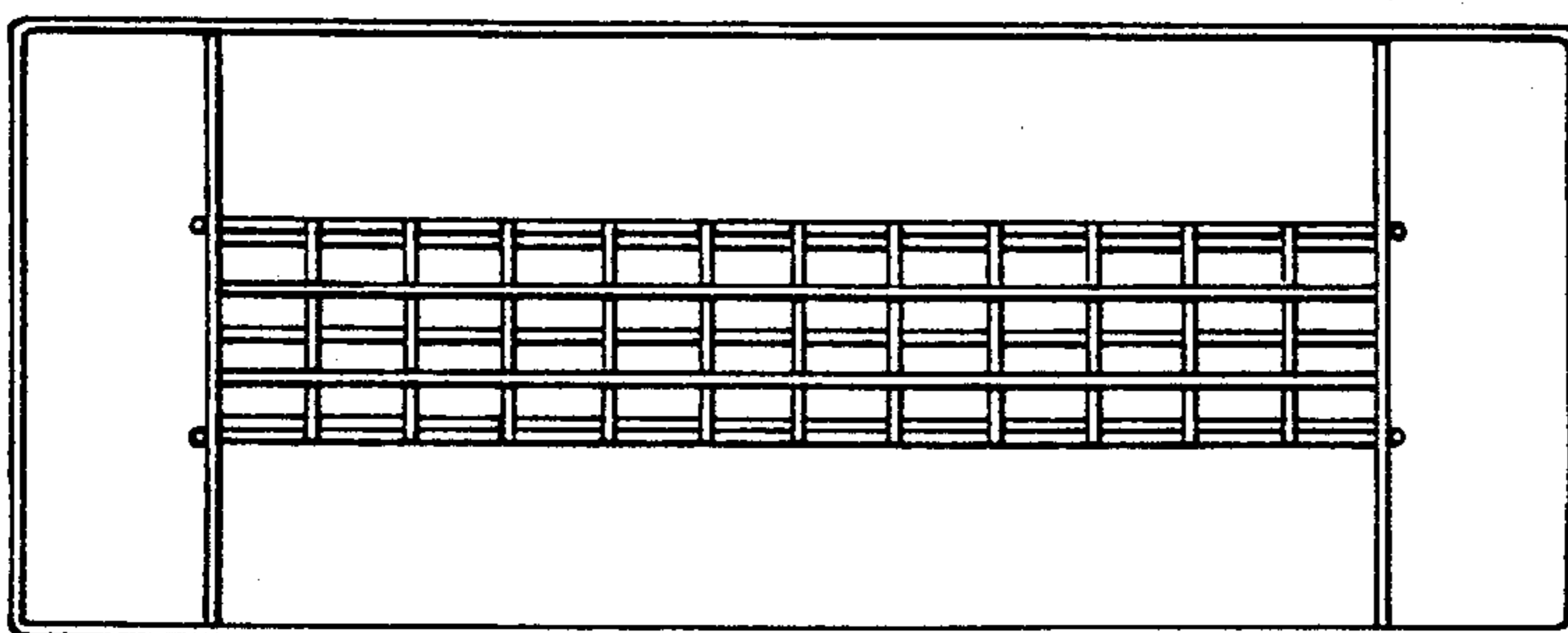


FIG. 5.