



US00D331672S

# United States Patent [19]

[11] Patent Number: **Des. 331,672**

**Brodbeck**

[45] Date of Patent: **\*\* Dec. 15, 1992**

## [54] WORKSTATION CLUSTER

- [75] Inventor: **Mary Brodbeck, Douglas, Mich.**
- [73] Assignee: **Haworth, Inc., Holland, Mich.**
- [\*] Notice: **The portion of the term of this patent subsequent to Dec. 22, 2006 has been disclaimed.**
- [\*\*] Term: **14 Years**
- [21] Appl. No.: **511,515**
- [22] Filed: **Apr. 20, 1990**
- [52] U.S. Cl. .... **D6/421; D6/423**
- [58] Field of Search ..... **D6/421-428;**  
**108/59, 60, 61, 64; 160/135, 351; 52/36, 239;**  
**312/194-196**

Westinghouse "Design Technology Review Centerline Radial Clusters" brochure, May 1987, (11 pages).  
 Westinghouse "Wes-Group Centerline Radial Clusters" brochure, (5 pages).  
 Special Market Report, Len Corlin, "Steelcase introduces Context: A 21st Century system", Contract/Apr. 1989 (4 pages).  
 CenterCore Incorporated brochure "The Spacemakers", (4 pages).  
 Tab Products Co., "Tab Humanetics Group Wood--Trimmed Clustered Workcenters", Jun. 1987, (2 pages).  
 Tab Products Co., "Tab Humanetics Group Clustered Workcenter", Jun. 1987, (2 pages).  
 Tab Products Co., "Humanetics Group Clustered Workcenters", 1987, (12 pages).  
 TrendCentre Work Stations are Versatile Performers brochure, (1 page).  
 Hon, Honor Group, "Concensys Net Pricer" brochure, Apr. 4, 1988, (9 pages).

*Primary Examiner*—Carmen H. Vales-Lado  
*Attorney, Agent, or Firm*—Flynn, Thiel, Boutell & Tanis

## [56] References Cited

### U.S. PATENT DOCUMENTS

D. 161,772	1/1951	MacDonald	.....	D6/421
D. 183,995	11/1958	McCarton	.....	D6/423
D. 197,652	3/1964	Courtwright	.....	D6/421
D. 243,051	1/1977	Gouloage	.....	D6/423 X
D. 278,772	5/1985	Koguma	.....	D6/426
D. 305,706	1/1990	Mark	.....	D6/421
3,741,852	6/1973	Keener	.....	108/64 X
4,639,049	1/1987	Frascaroli et al.	.....	312/195
4,870,908	10/1989	Wolters et al.	.....	
4,974,915	12/1990	Bussard	.....	52/239 X
5,016,405	5/1991	Lee	.....	52/36
5,044,135	9/1991	Kroon et al.	.....	52/239

### OTHER PUBLICATIONS

Westinghouse ASD Group brochure, 1984, (6 pages).

## [57] CLAIM

The ornamental design for a workstation cluster, as shown and described.

## DESCRIPTION

FIG. 1 is a perspective view of a workstation cluster showing my design;  
 FIG. 2 is a top plan view thereof;  
 FIG. 3 is an elevational view taken along line 3—3 of FIG. 2; and,  
 FIG. 4 is an elevational view taken along line 4—4 of FIG. 2.

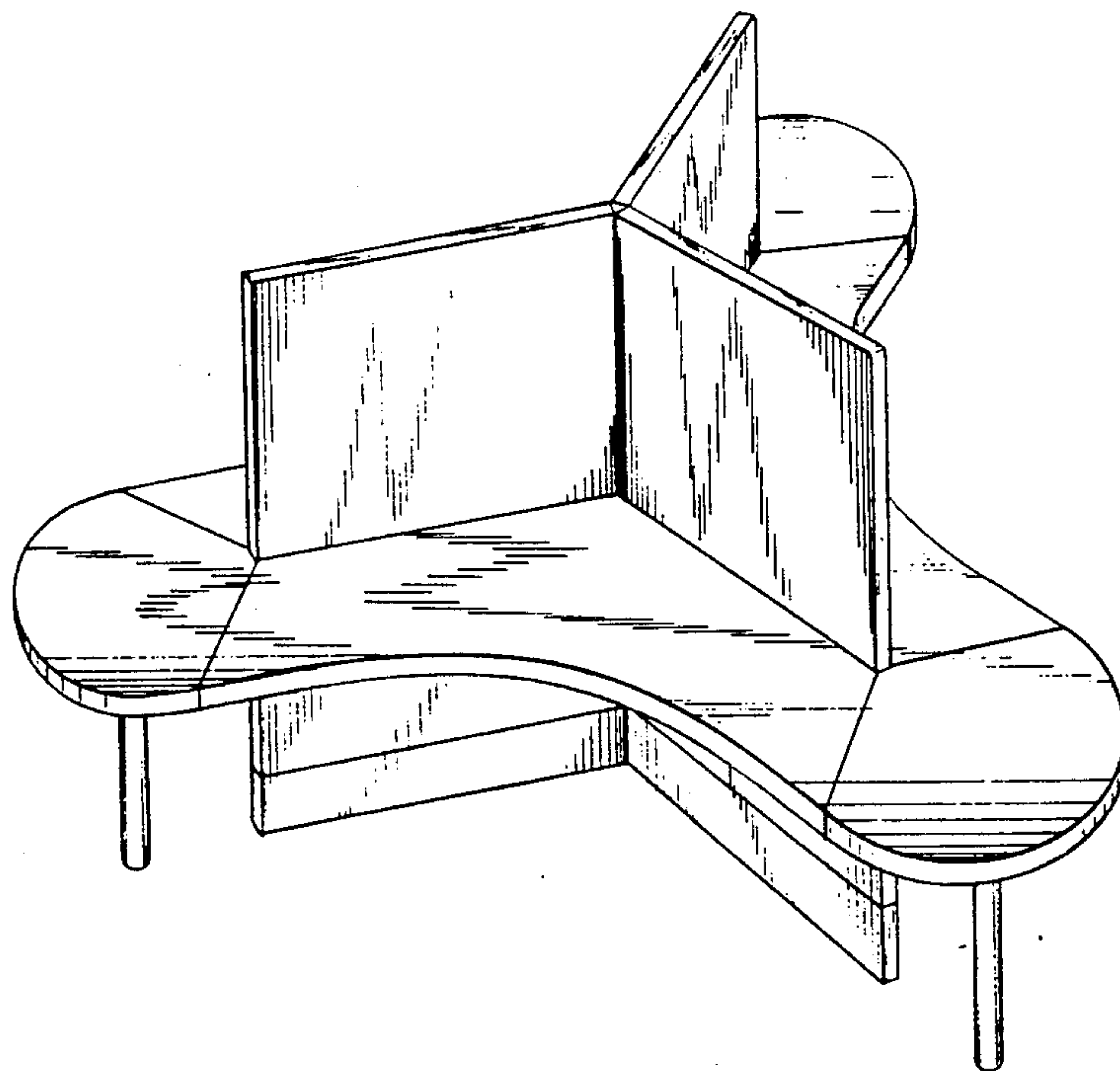


FIG. 1

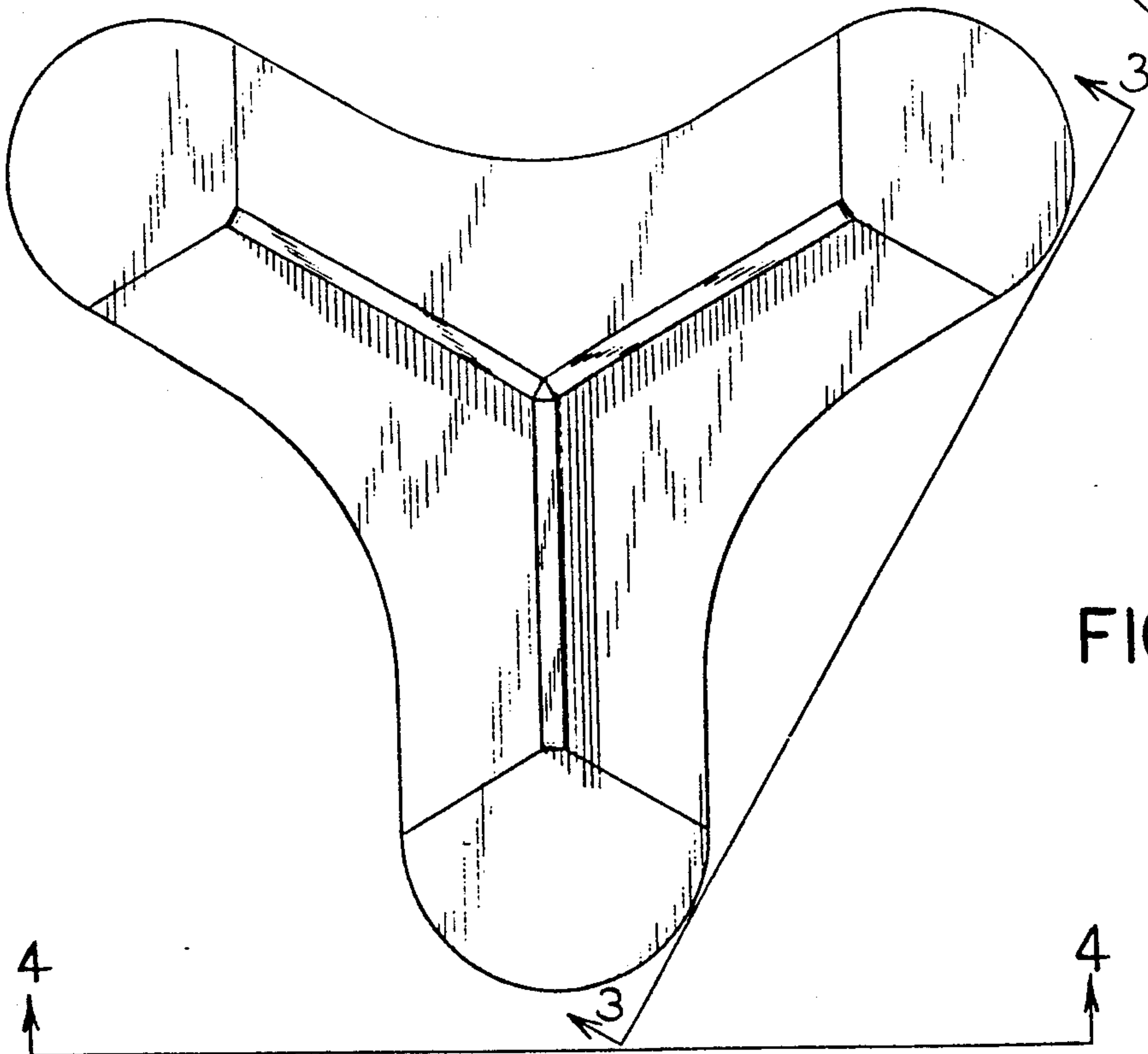
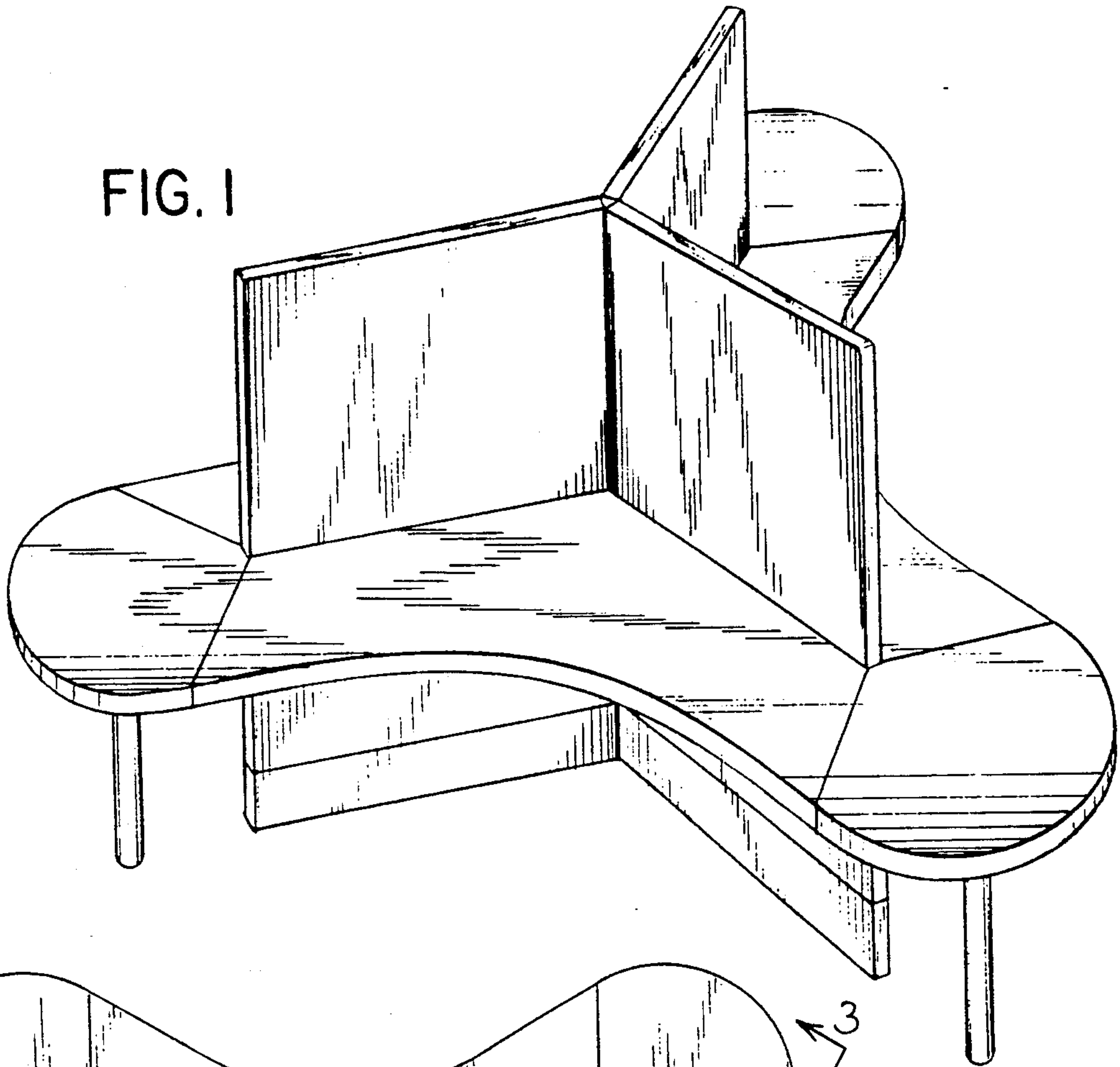


FIG. 2

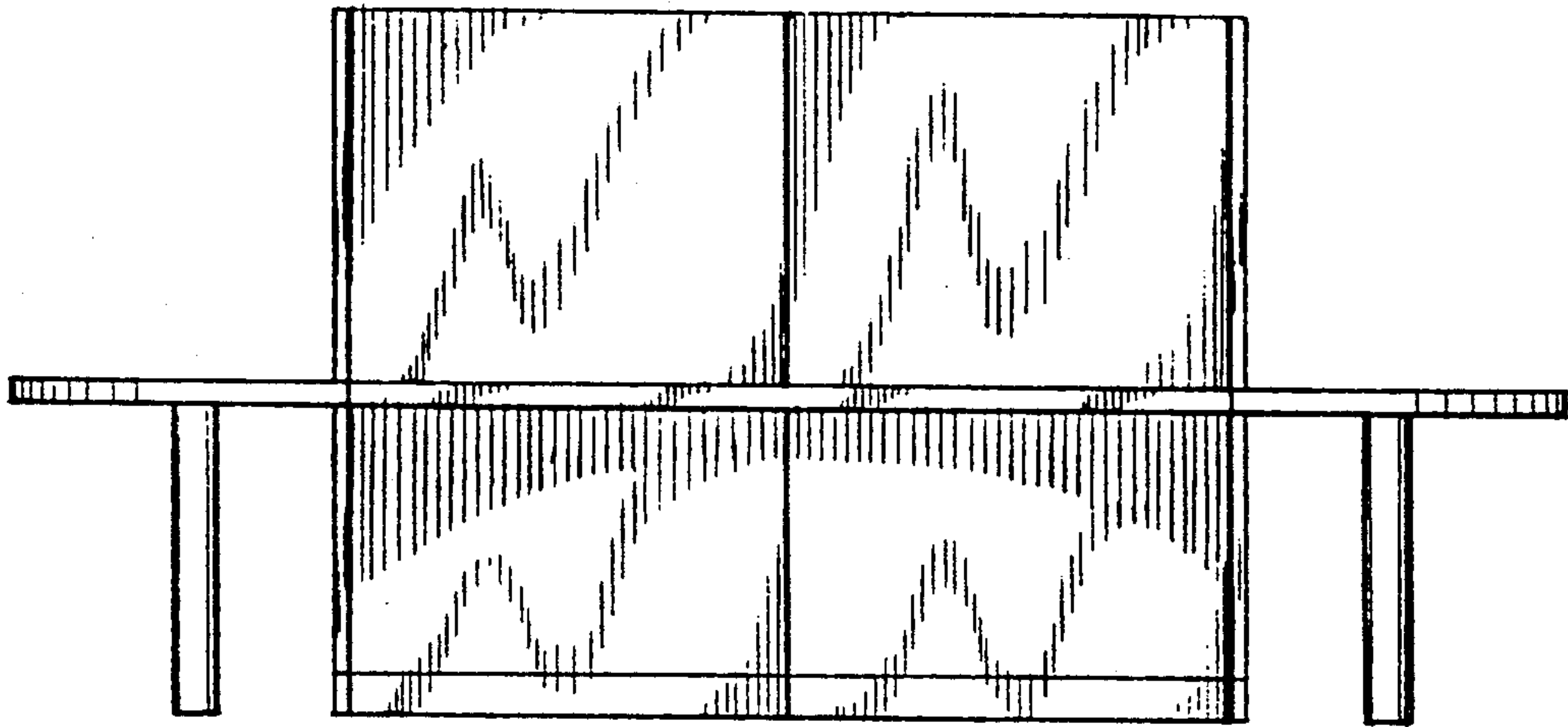


FIG. 3

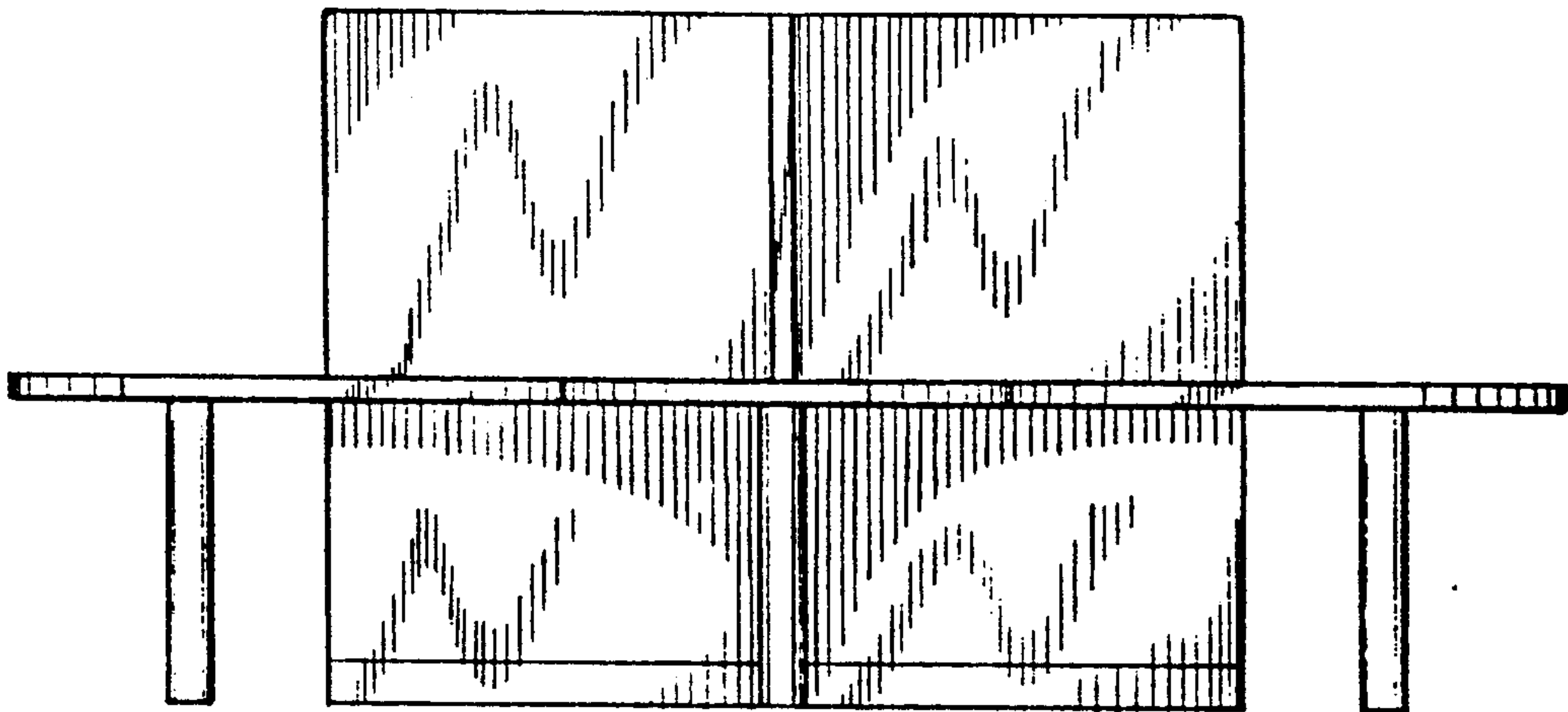


FIG. 4

UNITED STATES PATENT AND TRADEMARK OFFICE  
**CERTIFICATE OF CORRECTION**

PATENT NO. : D 331 672  
DATED : December 15, 1992  
INVENTOR(S) : Mary Brodbeck

It is certified that error appears in the above-identified patent and that said Letters Patent is hereby corrected as shown below:

On the title page of the patent, Column 1, please delete in its entirety the following:

"[\*] Notice: The portion of the term of this patent subsequent to Dec. 22, 2006 has been disclaimed."

Signed and Sealed this  
Twenty-third Day of November, 1993

Attest:



BRUCE LEHMAN

Attesting Officer

Commissioner of Patents and Trademarks