



US00D331664S

United States Patent [19]

Haddad

[11] Patent Number: **Des. 331,664**

[45] Date of Patent: **** Dec. 15, 1992**

[54] TOOTHBRUSH

[76] Inventor: **Michael J. Haddad**, 2246 Betty La., Beverly Hills, Calif. 90210

[**] Term: **14 Years**

[21] Appl. No.: **579,295**

[22] Filed: **Sep. 7, 1990**

[52] U.S. Cl. **D4/107; D4/125**

[58] Field of Search **D4/104-114, D4/124-125, 130, 132, 134, 136, 138, 199; D30/158; 15/143 R, 159 R, 159 A, 160, 167.1-167.2**

D. 243,541 3/1977 Cullen D30/158
D. 288,628 3/1987 Farrand D4/104
2,360,745 10/1944 Vogel 15/167.1

Primary Examiner—Wallace R. Burke
Assistant Examiner—Lavone D. Tabor
Attorney, Agent, or Firm—Timothy T. Tyson

[57] CLAIM

The ornamental design for a toothbrush, as shown and described.

DESCRIPTION

FIG. 1 is a top plan view of a toothbrush, showing my new design;
FIG. 2 is a right side elevational view thereof, the left side elevational view being the mirror image thereof;
FIG. 3 is a front elevational view thereof;
FIG. 4 is a rear elevational view thereof;
FIG. 5 is a bottom plan view thereof; and,
FIG. 6 is a sectional view along the line 6—6 of FIG. 2.

[56] References Cited

U.S. PATENT DOCUMENTS

D. 96,749 9/1935 Hellonen D4/104
D. 128,681 8/1941 Reinold D4/107
D. 147,537 9/1947 Daniels D4/125
D. 170,680 10/1953 Delmas D4/107



FIG. 2



FIG. 1

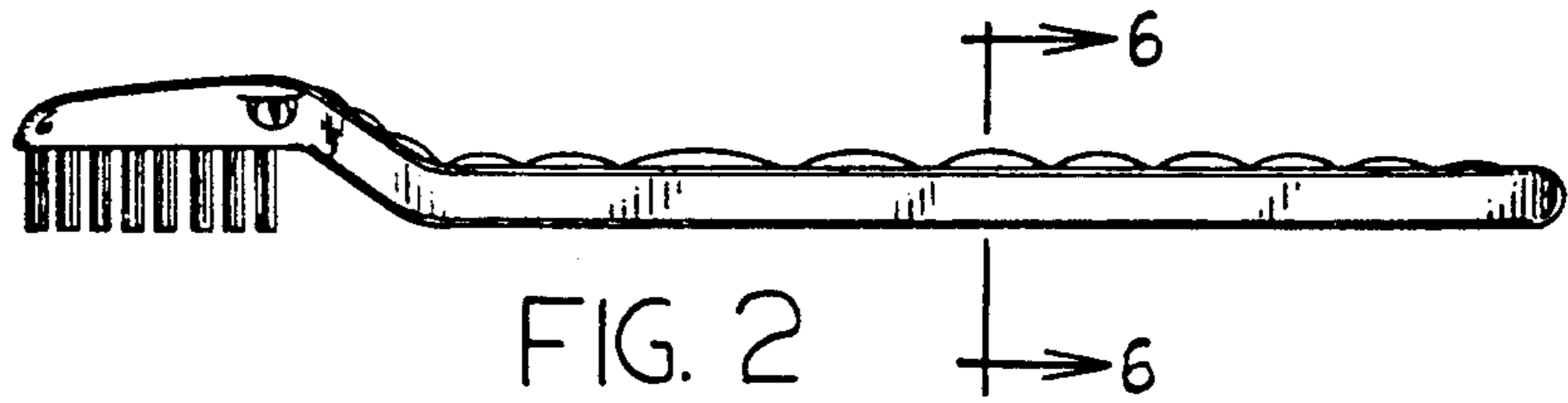


FIG. 2



FIG. 3



FIG. 6



FIG. 4

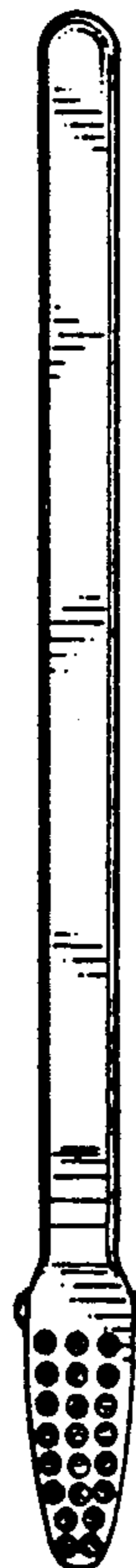


FIG. 5