



US00D331663S

United States Patent [19]

[11] Patent Number: **Des. 331,663**

Roncato

[45] Date of Patent: **** Dec. 15, 1992**

[54] SUITCASE

[76] Inventor: **Marisa Roncato**, 45/a via Pioga, Campodarsego, Padova, Italy, 35011

[**] Term: **14 Years**

[21] Appl. No.: **604,424**

[22] Filed: **Oct. 29, 1990**

[52] U.S. Cl. **D3/76**

[58] Field of Search **D3/76, 74, 71; 190/105, 190/101, 115**

OTHER PUBLICATIONS

Travelware, 1984, p. 25 top middle.

Primary Examiner—A. Hugo Word
Assistant Examiner—Paula A. Mortimer
Attorney, Agent, or Firm—Dowell & Dowell

[57] CLAIM

The ornamental design for a suitcase, as shown and described.

DESCRIPTION

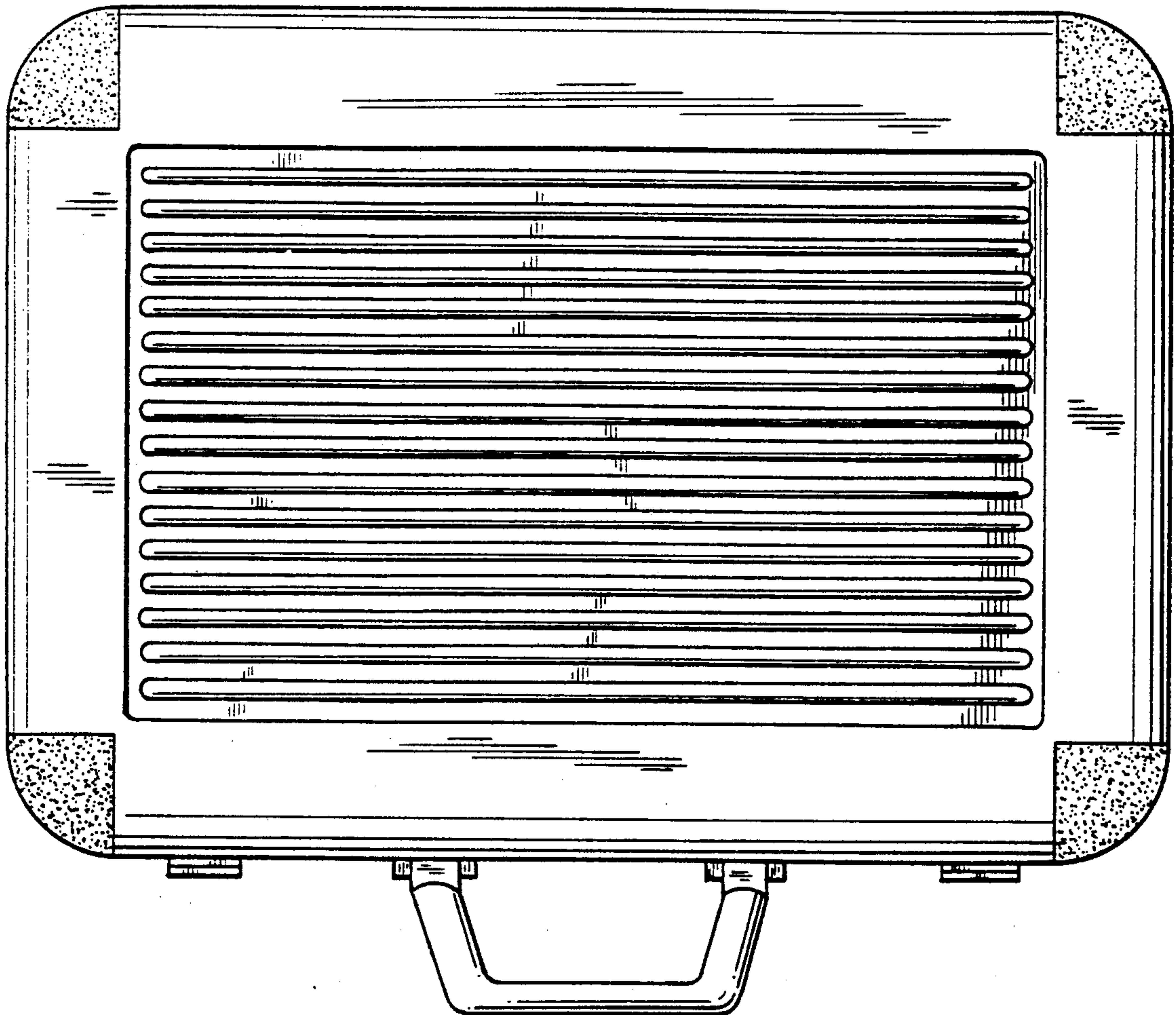
FIG. 1 is a front elevational view of a suitcase showing my new design;
FIG. 2 is a top plan view thereof;
FIG. 3 is a rear elevational view thereof;
FIG. 4 is a side elevational view the opposite side is a mirror image thereof; and,
FIG. 5 is a bottom plan view thereof.

[56]

References Cited

U.S. PATENT DOCUMENTS

| | | | | |
|------------|--------|-----------|-------|-----------|
| D. 196,164 | 8/1963 | Platt | | D3/76 X |
| D. 293,854 | 1/1988 | Gibbs | | D3/71 |
| D. 296,153 | 6/1988 | Reichow | | D3/74 X |
| 3,497,041 | 2/1970 | Samhammer | | 190/115 X |
| 4,844,215 | 7/1989 | Ambasz | | 190/105 |



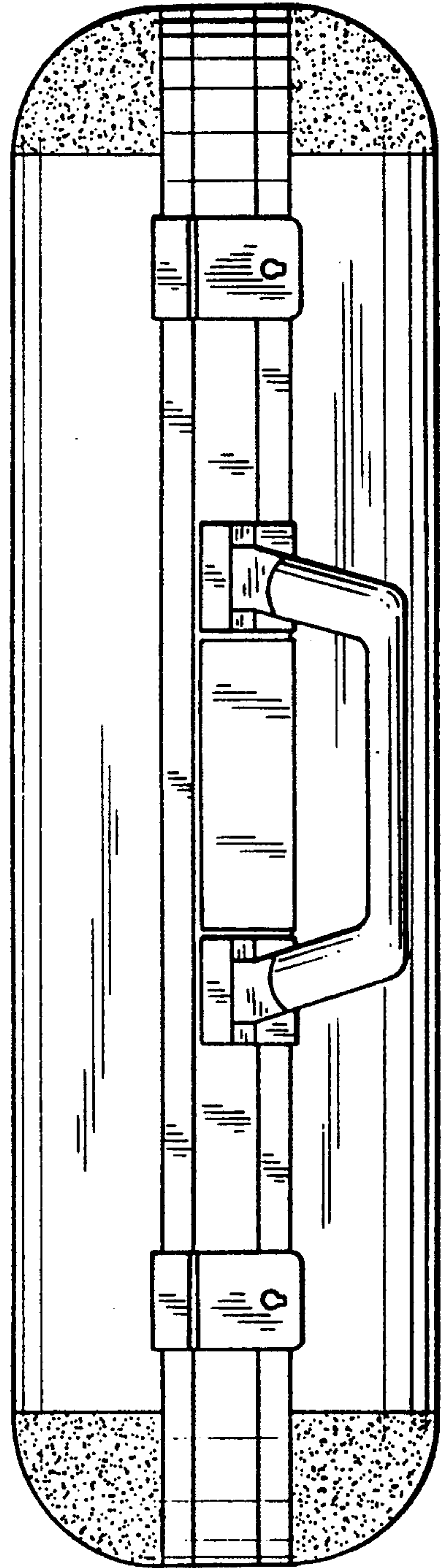


FIG. 1

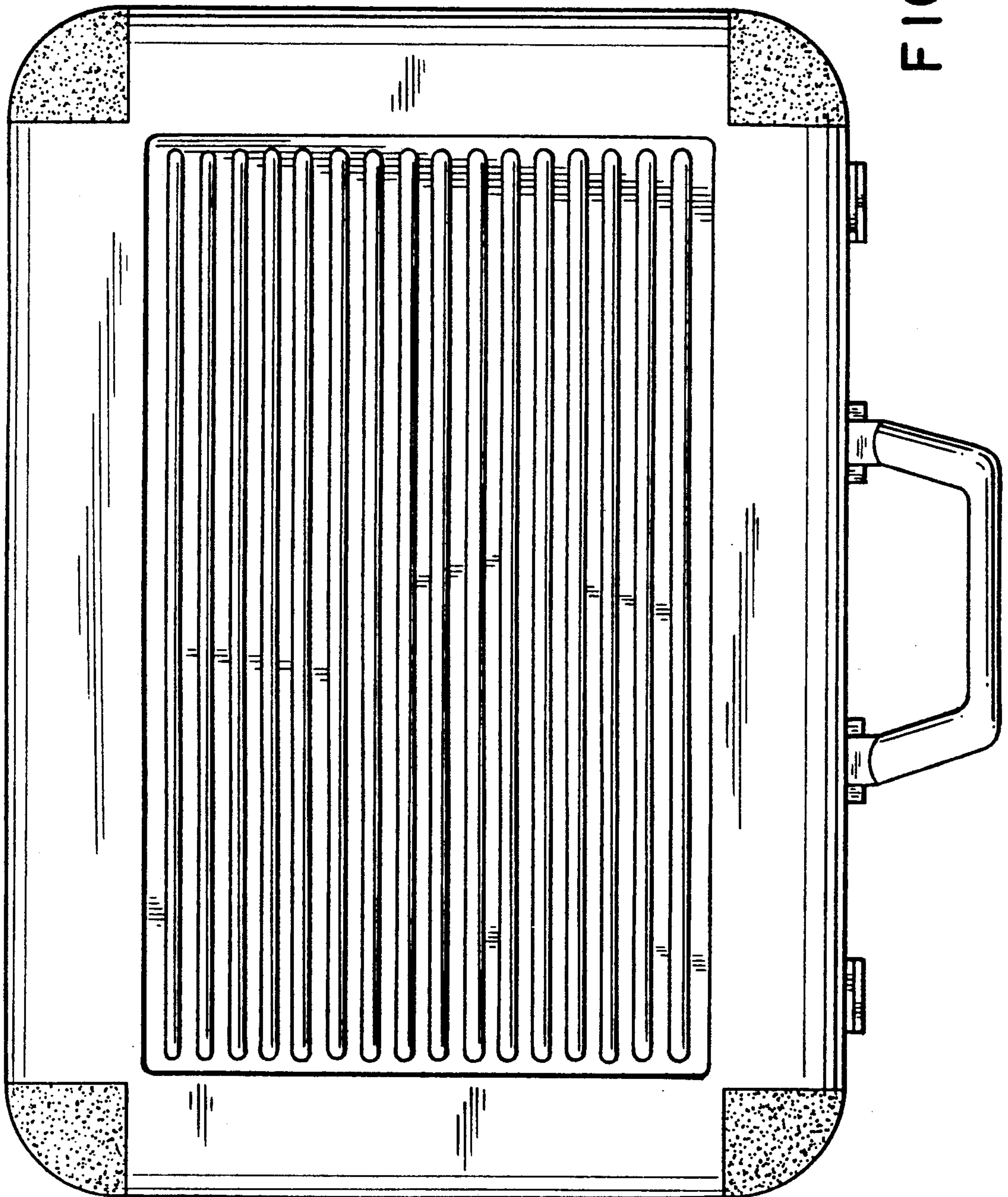


FIG. 2

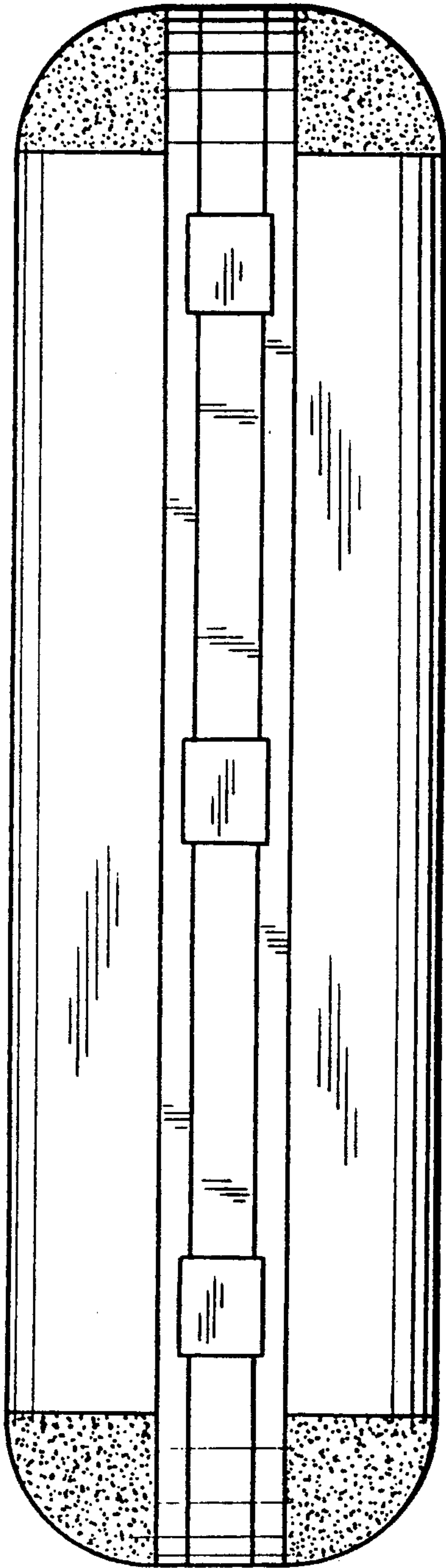


FIG. 3

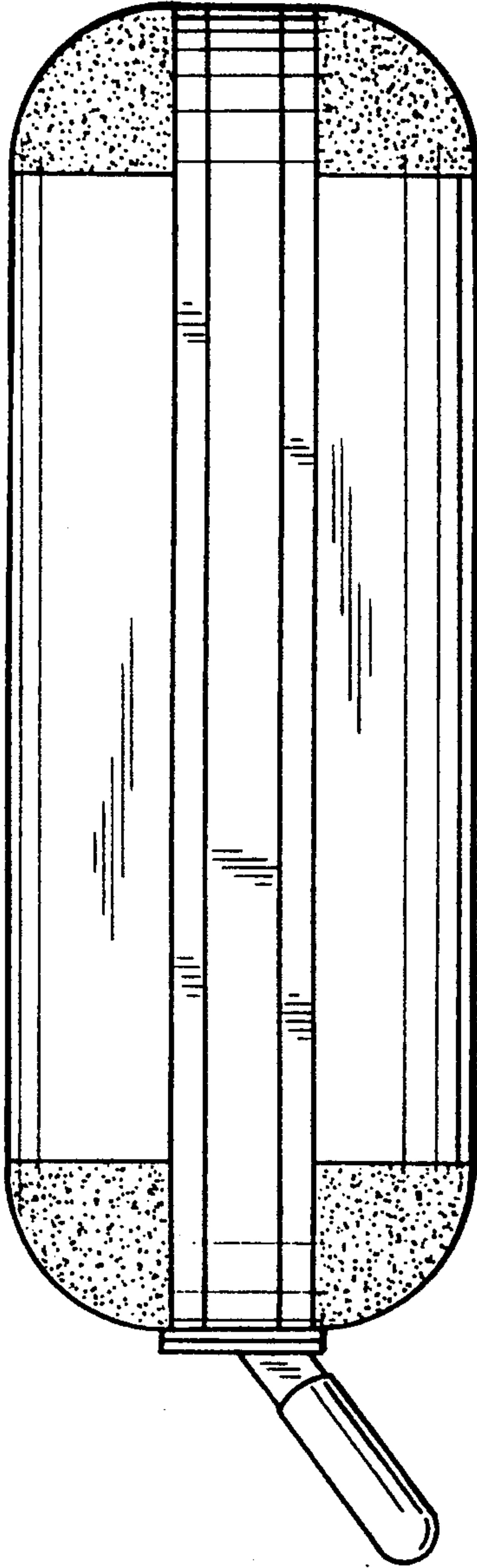


FIG. 4

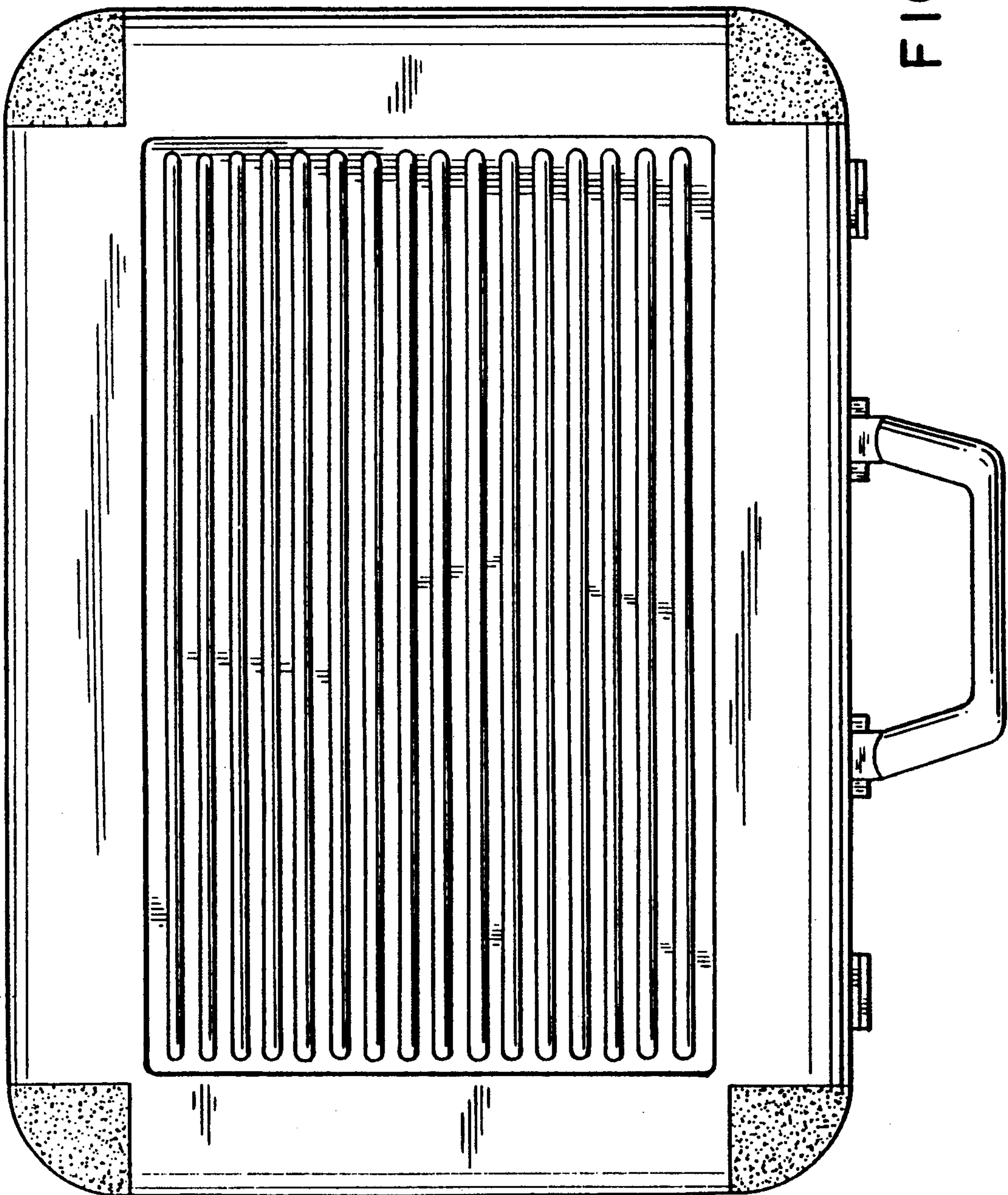


FIG. 5