



US00D331653S

United States Patent [19]
Stone

[11] **Patent Number: Des. 331,653**
[45] **Date of Patent: ** Dec. 8, 1992**

[54] **TRASH CONTAINER COVER FOR ALUMINUM CANS**

[76] **Inventor: Donald D. Stone, 12835 Ocean Gateway, Ocean City, Md. 21842**

[**] **Term: 14 Years**

[21] **Appl. No.: 577,586**

[22] **Filed: Sep. 4, 1990**

[52] **U.S. Cl. D34/11; D9/447**

[58] **Field of Search D34/1, 11, 10; D9/447, D9/355, 454, 353, 352; 220/908, 909, 910, 353; D7/605, 619**

[56] **References Cited**

U.S. PATENT DOCUMENTS

D. 260,372 8/1981 Fantozzi D9/447
D. 306,649 3/1990 Lapicola et al. D9/355
D. 316,517 4/1991 Coy D9/447

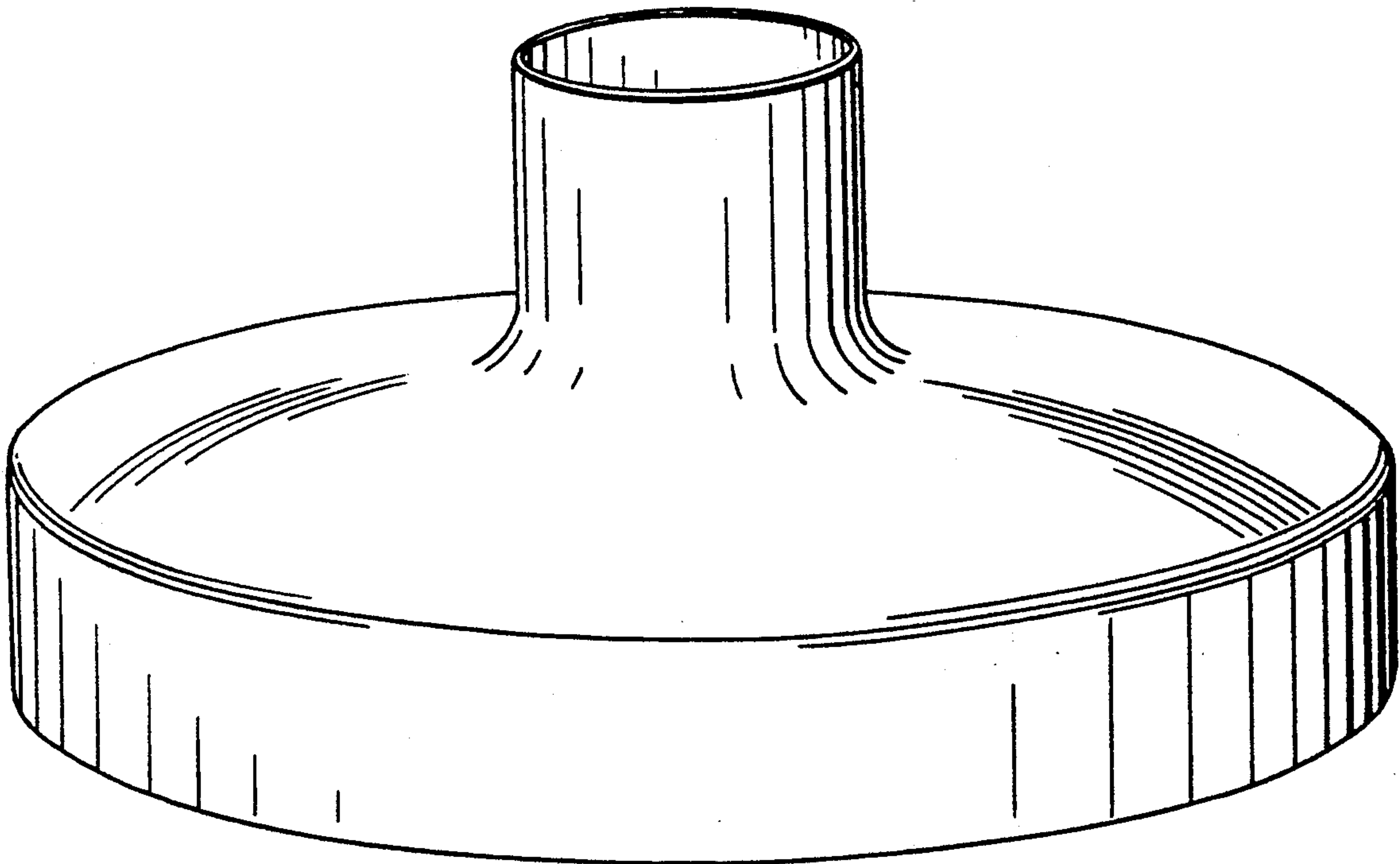
Primary Examiner—Kay H. Chin

[57] **CLAIM**

The ornamental design for a trash container cover for aluminum cans, as shown and described.

DESCRIPTION

FIG. 1 is a top plan view of a trash container cover for aluminum cans showing my new design; FIG. 2 is a bottom plan view thereof; and, FIG. 3 is a front perspective view thereof, the rear perspective view being a mirror image of that shown.



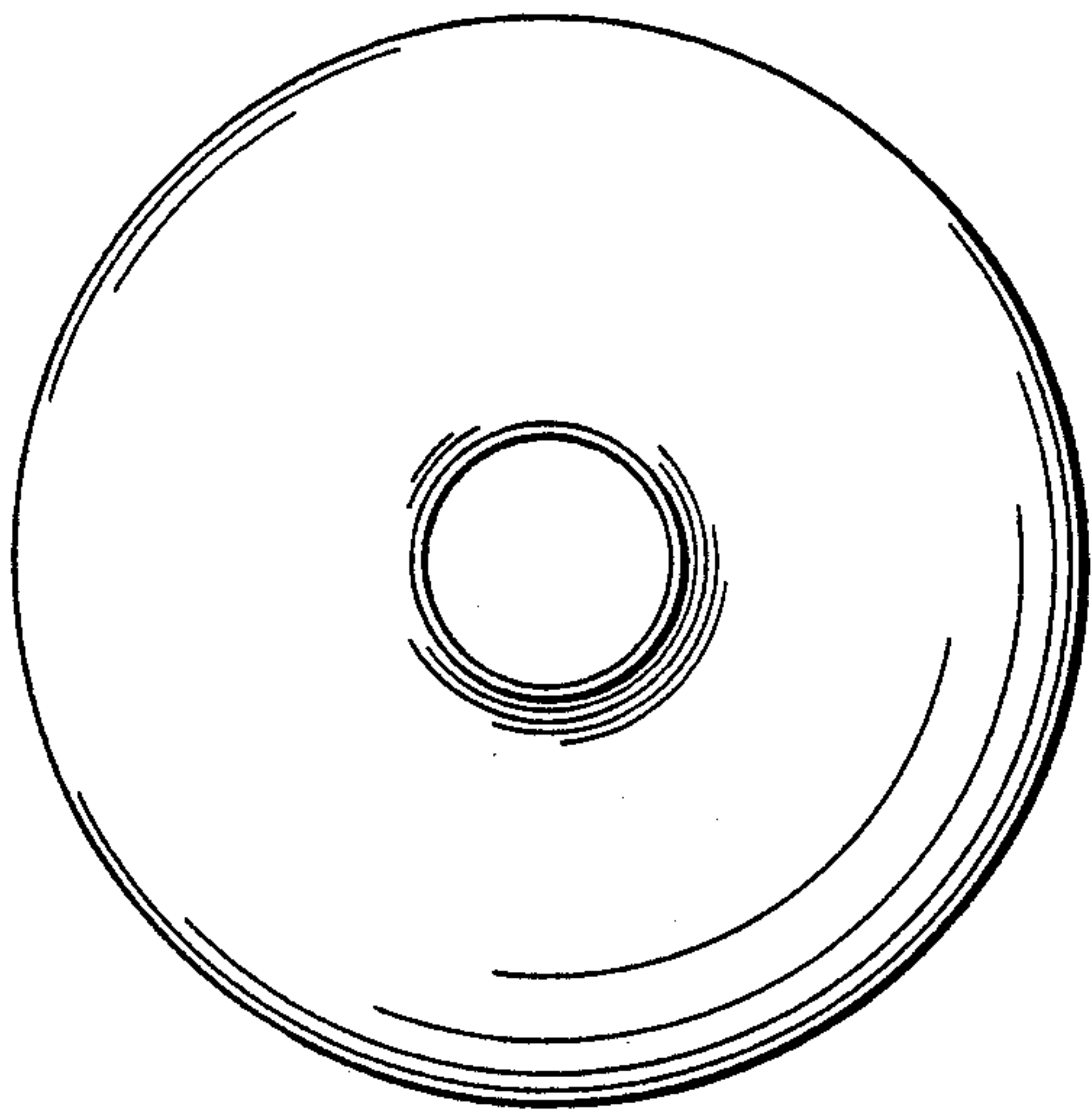


Fig. 1

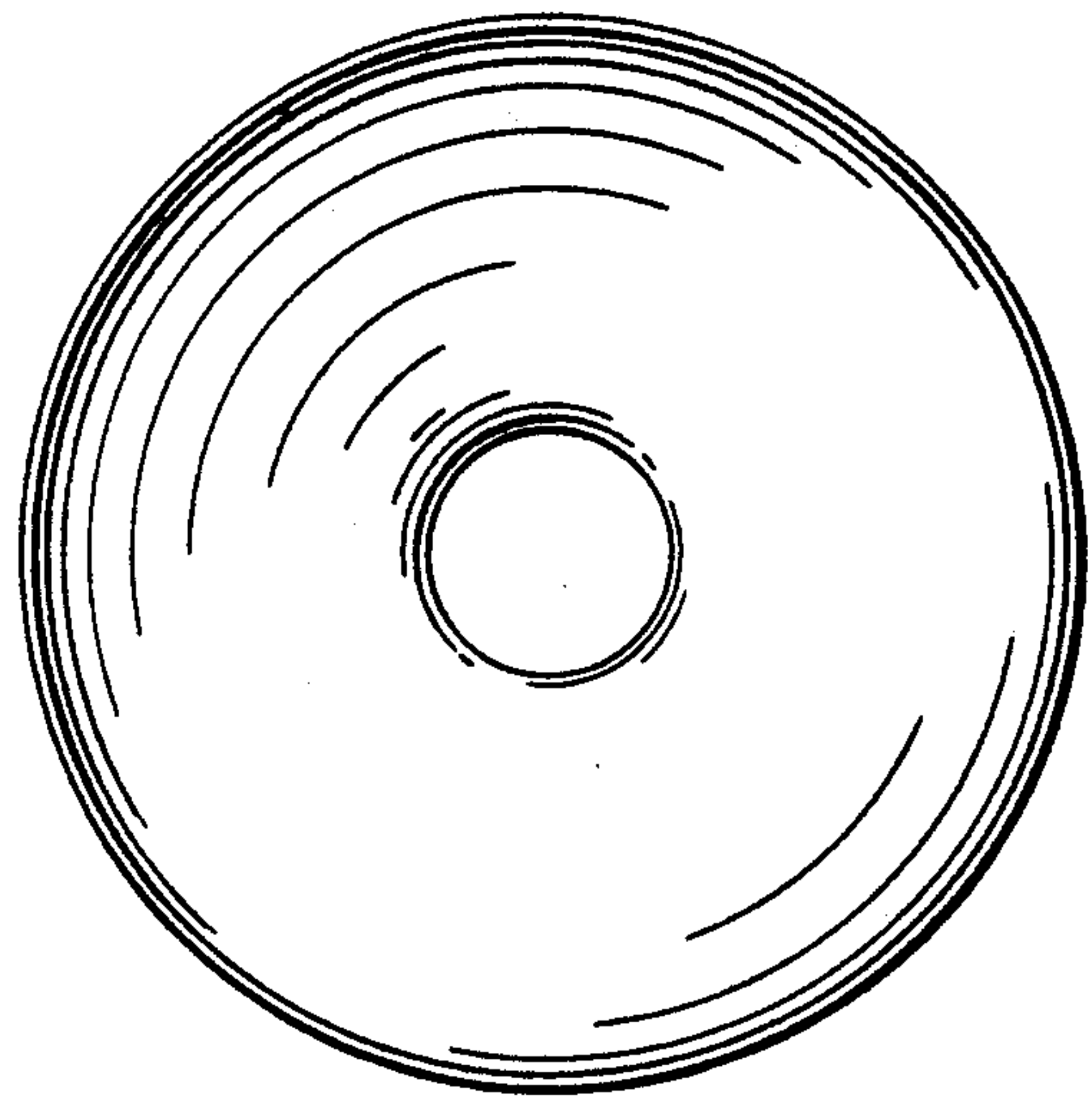


Fig. 2

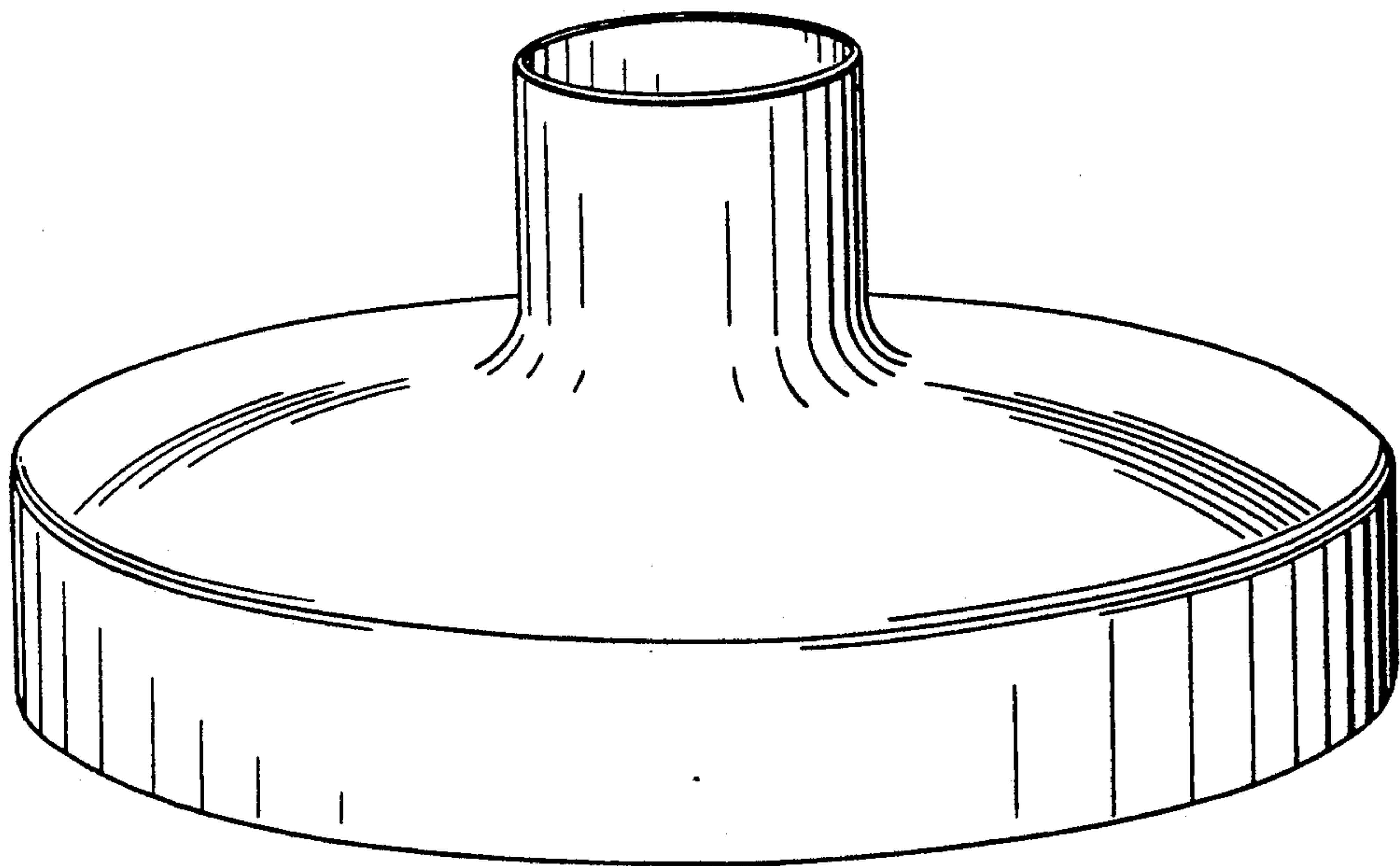


Fig. 3