



US00D331648S

United States Patent [19]

[11] Patent Number: **Des. 331,648**

Torgerson et al.

[45] Date of Patent: **** Dec. 8, 1992**

[54] UTILITY SADDLE

[76] Inventors: **Jerry Torgerson**, 8543 S. Redwood Rd., West Jordan, Utah 84084;
Robert A. Hill, 1249 W. Morning Vista Dr., Taylorsville, Utah 84123

[**] Term: **14 Years**

[21] Appl. No.: **744,237**

[22] Filed: **Aug. 13, 1991**

[52] U.S. Cl. **D30/135**; 119/101;
54/37.1

[58] Field of Search 168/44; D30/134-143;
119/100-102; 54/38-39, 78, 44, 37

[56] References Cited

U.S. PATENT DOCUMENTS

113,379	4/1871	Williams	119/101
367,305	7/1887	Leech	119/101
631,136	8/1899	Tener	54/38
803,600	11/1905	Kendall	119/101
1,022,399	4/1912	Balch	119/101
1,037,982	9/1912	Powell	54/38
1,213,329	1/1917	Beal	54/44
1,289,869	12/1918	Morgan	54/37
3,672,123	6/1972	Dykman	54/39
4,072,000	2/1978	Clemens	54/39
5,014,648	5/1991	Konitzer	54/78

FOREIGN PATENT DOCUMENTS

41315 7/1914 Sweden 54/47
21816 of 1902 United Kingdom 119/101

Primary Examiner—A. Hugo Word
Assistant Examiner—Cathy Anne MacCormac
Attorney, Agent, or Firm—Richard C. Litman

[57] CLAIM

The ornamental design for a utility saddle, as shown and described.

DESCRIPTION

FIG. 1 is a top, rear and right side perspective view of a utility saddle showing my new design;
FIG. 2 is a left side elevational view thereof;
FIG. 3 is a right side elevational view thereof;
FIG. 4 is a front elevational view thereof;
FIG. 5 is a rear elevational view thereof;
FIG. 6 is a top plan view thereof;
FIG. 7 is a bottom plan view thereof; and,
FIG. 8 is a top, rear and right side perspective view thereof showing the hoof strap in a different location and the absence of the pole.
FIGS. 2, 3, 6 and 7 are shown broken away for convenience of illustration, and the broken lines in FIGS. 1 and 8 are for purposes of illustration only and form no part of the claimed design.

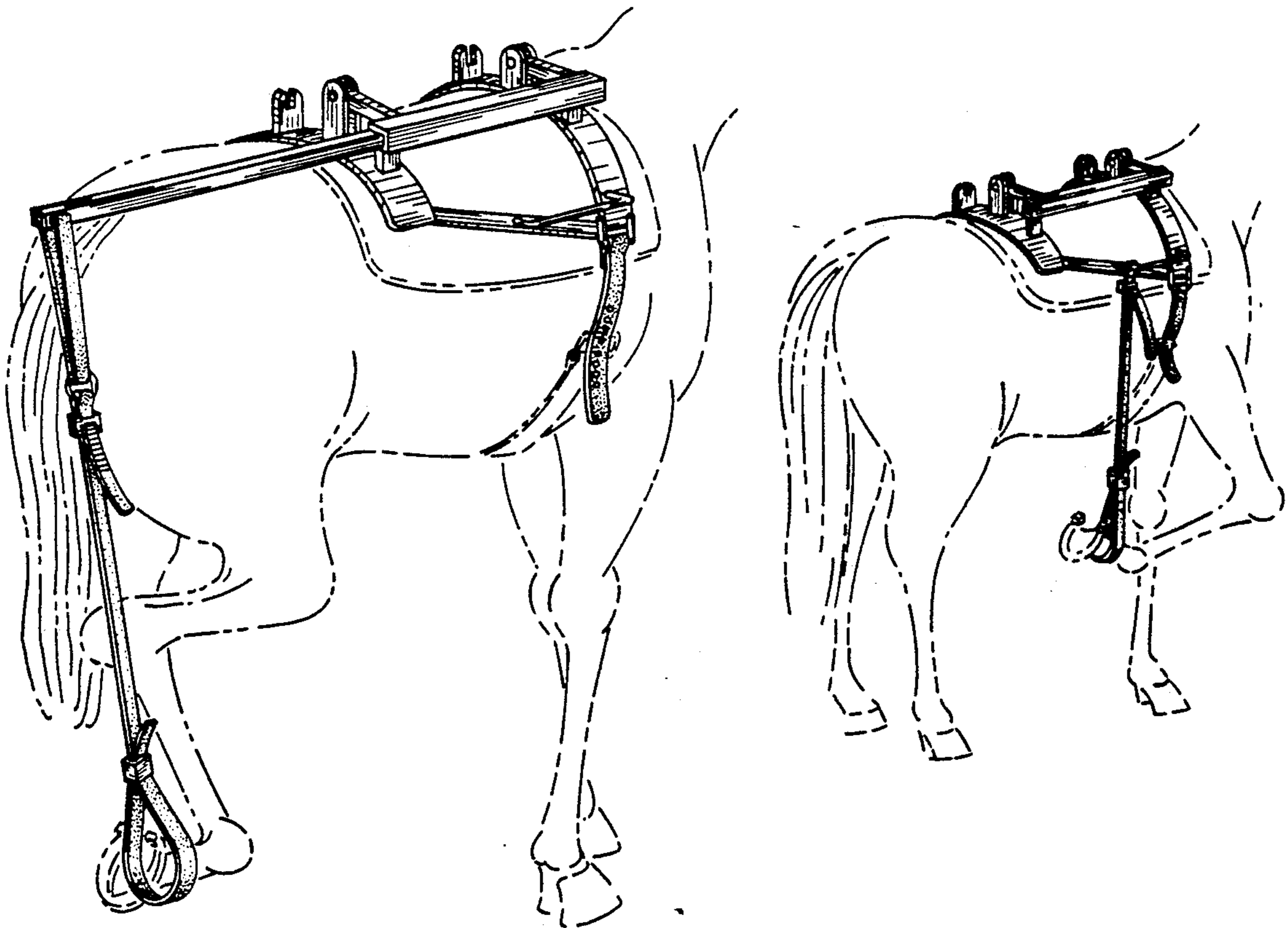


FIG. 1

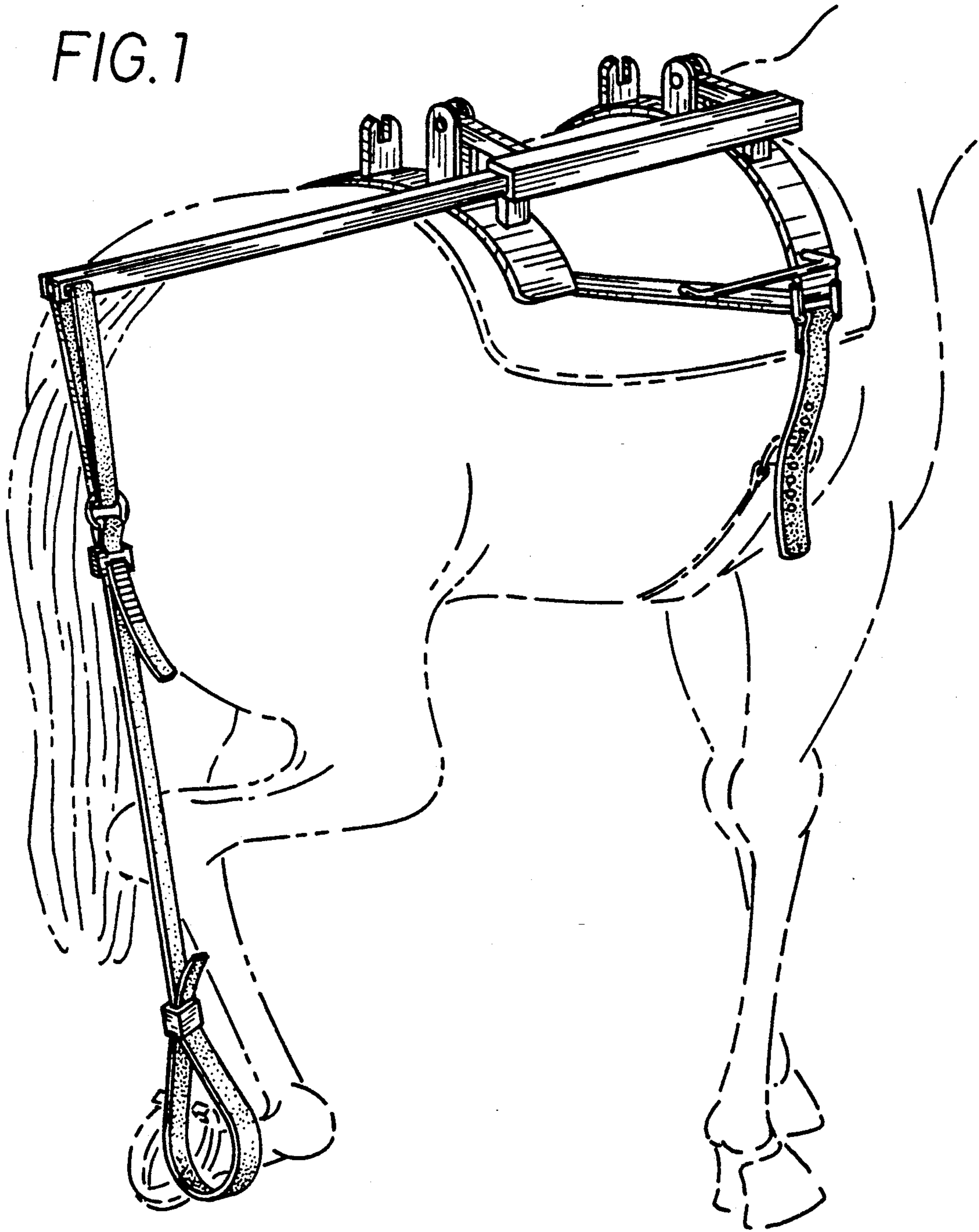


FIG. 2

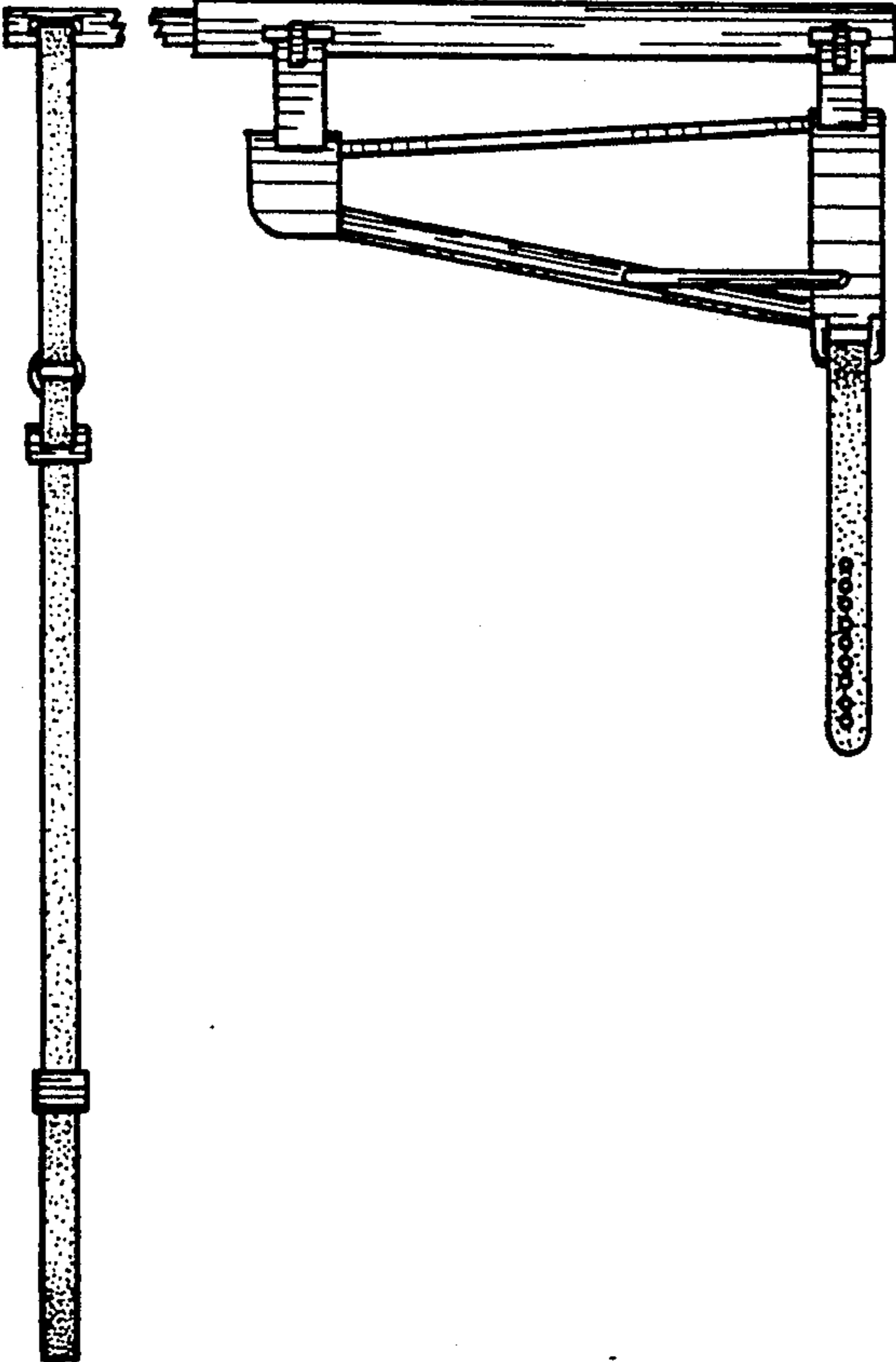
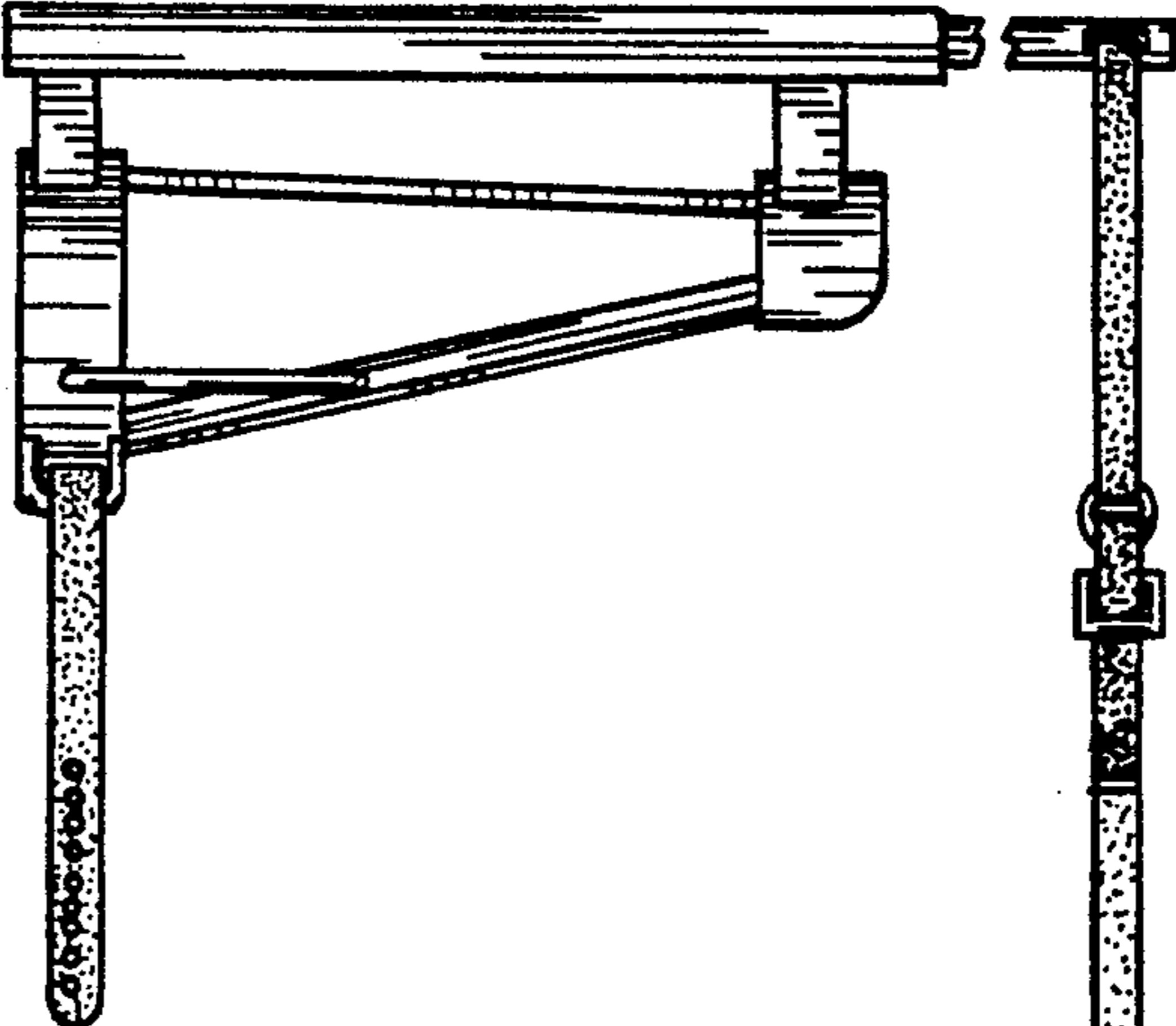


FIG. 3



FIG. 4

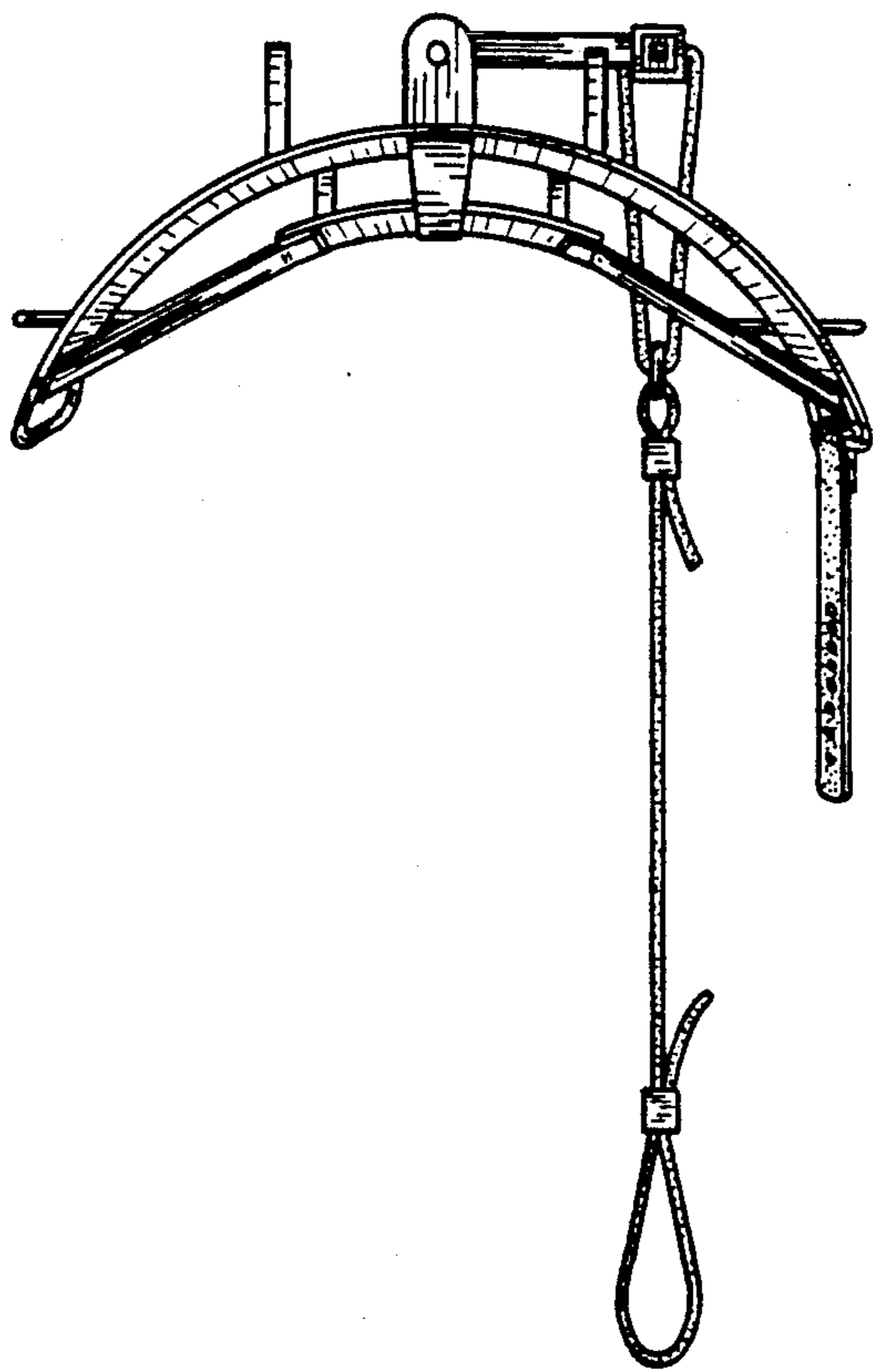


FIG. 5

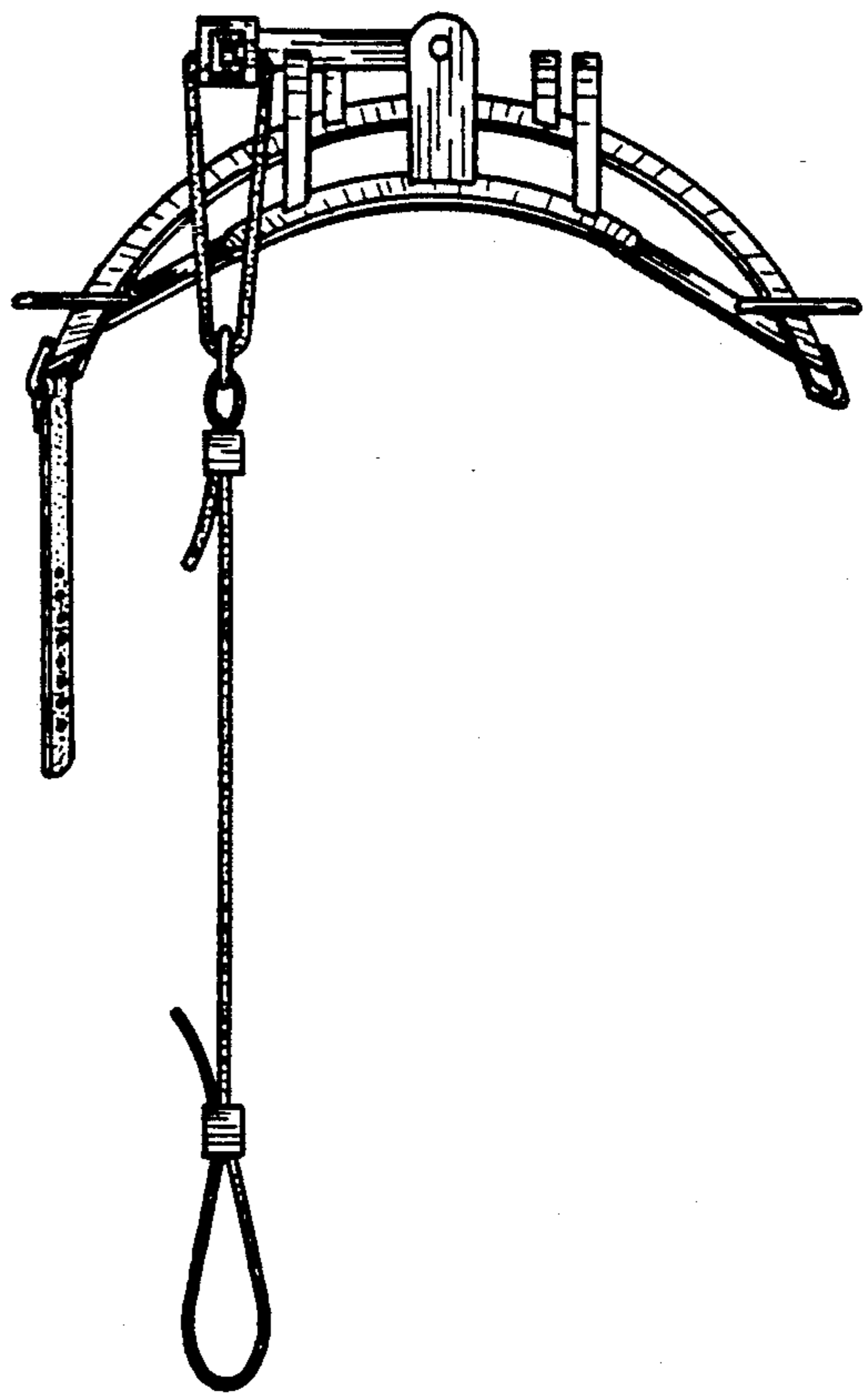


FIG. 6

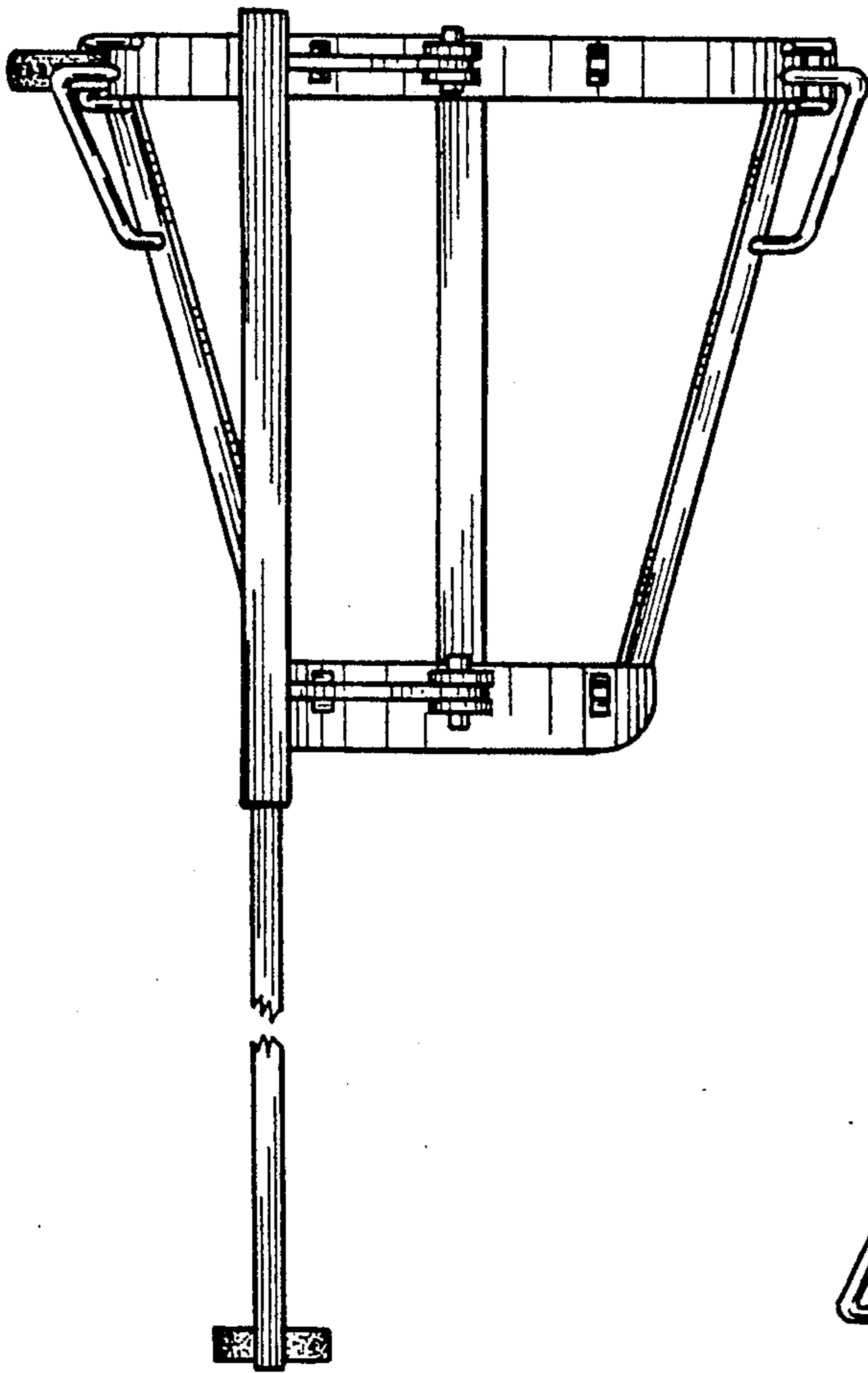


FIG. 7

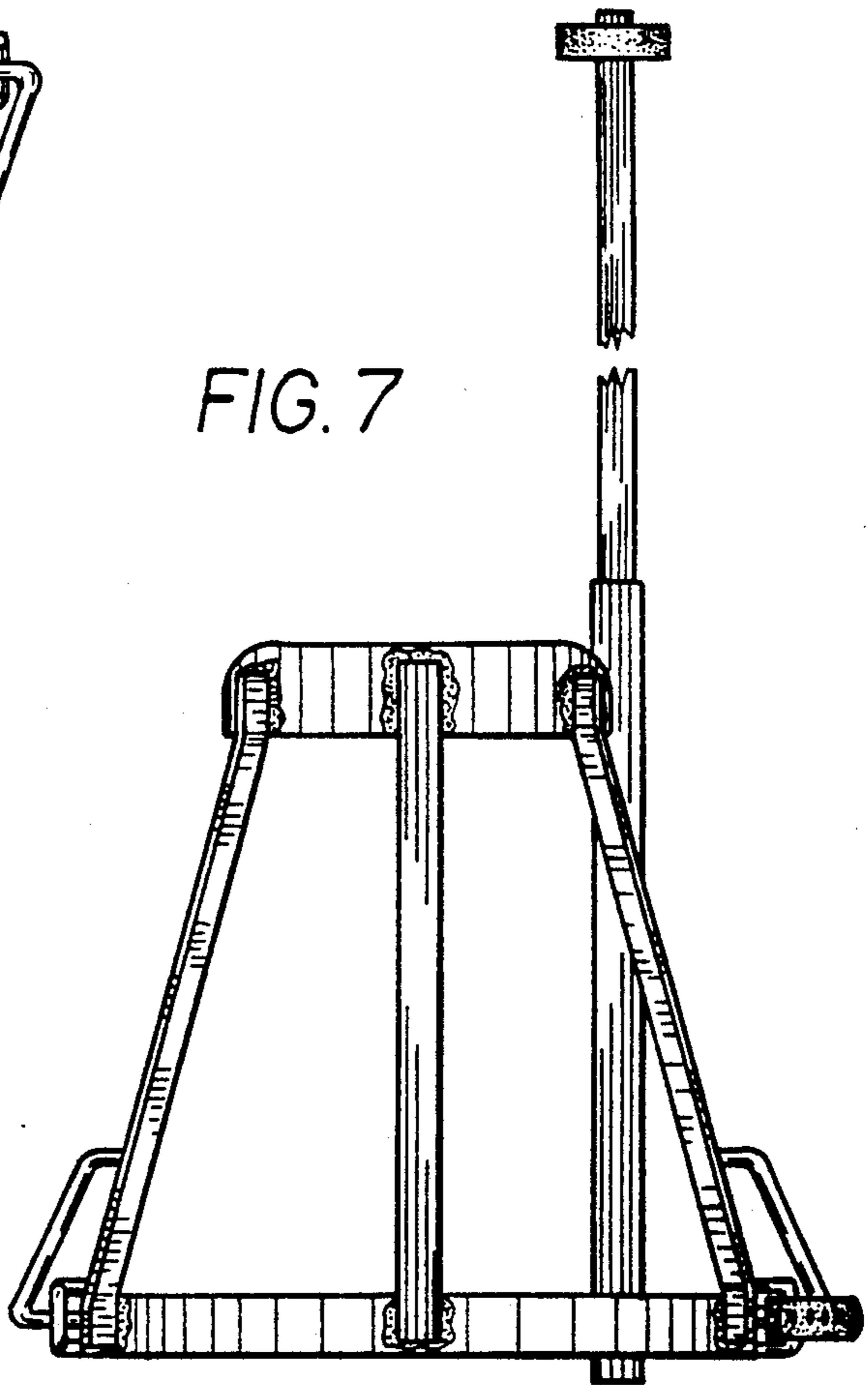


FIG. 8

