



US00D331646S

United States Patent [19]

Weelink

[11] Patent Number: **Des. 331,646**

[45] Date of Patent: **** Dec. 8, 1992**

[54] **CUBICLE PARTITION FOR CATTLE**

[76] Inventor: **Johannes M. W. Weelink,**
Tijnaarlosestraat 58, 9481 Ad Vries,
Netherlands

[**] Term: **14 Years**

[21] Appl. No.: **553,671**

[22] Filed: **Jul. 13, 1990**

[30] **Foreign Application Priority Data**

Jan. 19, 1990 [XB] Benelux 65142-04

[52] U.S. Cl. **D30/119**

[58] Field of Search 119/150, 99, 27, 15,
119/147.1, 148, 149; D30/119, 114; D21/249;
D25/41, 50, 51, 63

[56] **References Cited**

U.S. PATENT DOCUMENTS

- D. 260,028 7/1981 Ahrens D21/249
- D. 273,903 5/1984 Wilcenski et al. D30/114
- D. 297,470 8/1988 Johansson D30/114
- 1,009,714 11/1911 Batchelder 119/27

- 3,726,257 4/1973 Anderson 119/27
- 4,350,117 9/1982 Hacker 119/27

FOREIGN PATENT DOCUMENTS

- 0057490 8/1982 European Pat. Off. 119/27
- 2032751 5/1980 United Kingdom 119/27

Primary Examiner—A. Hugo Word

Assistant Examiner—Cathy Anne MacCormac

Attorney, Agent, or Firm—Hill, Van Santen, Steadman & Simpson

[57] **CLAIM**

The ornamental design for a cubicle partition for cattle, similar article as shown.

DESCRIPTION

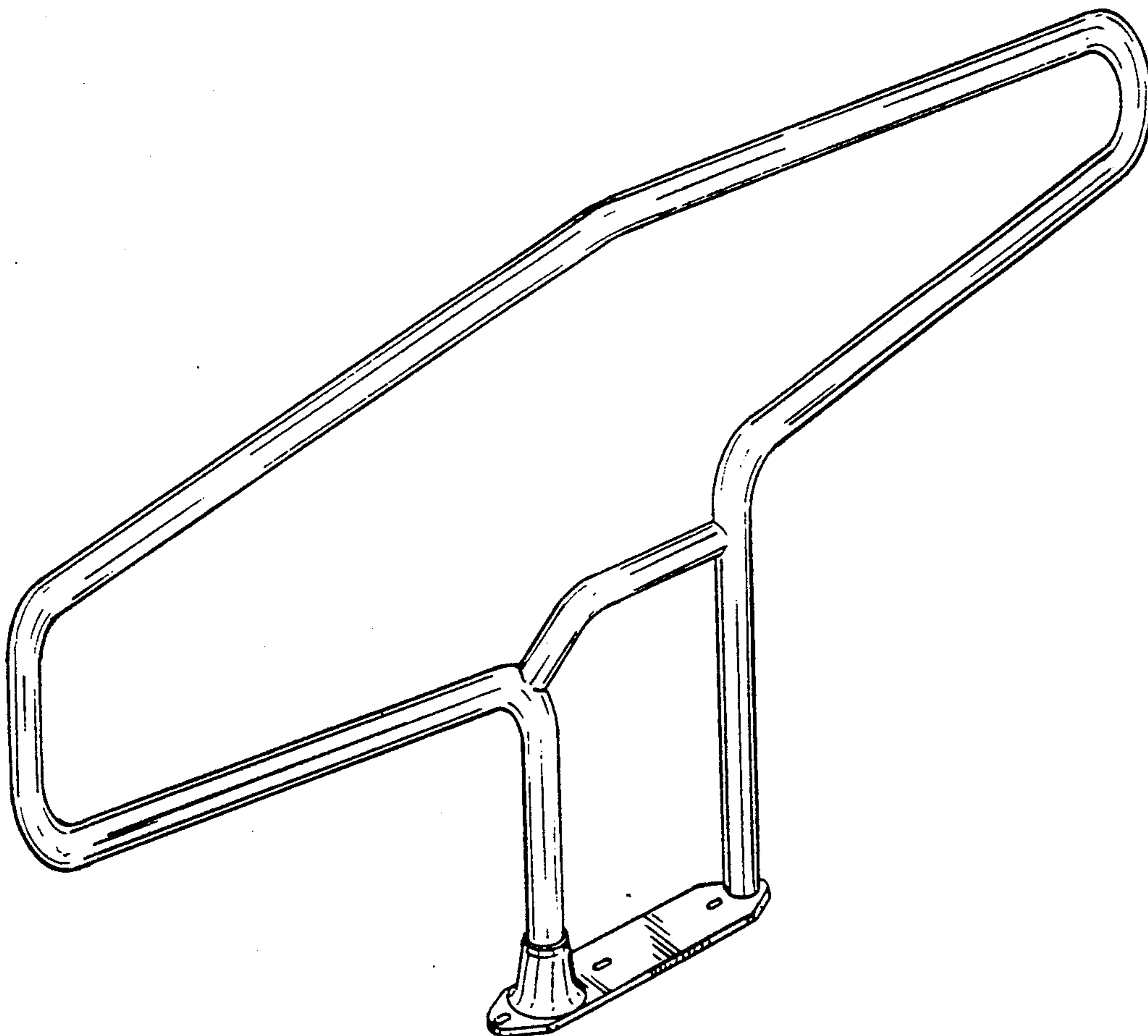
FIG. 1 is a perspective view of a cubicle partition for cattle showing my new design;

FIG. 2 is a left side elevational view thereof;

FIG. 3 is a top plan view thereof, the bottom being plain and unornamented;

FIG. 4 is a front elevational view thereof, the rear being a mirror image of the front view shown; and,

FIG. 5 is a right side elevational view thereof.



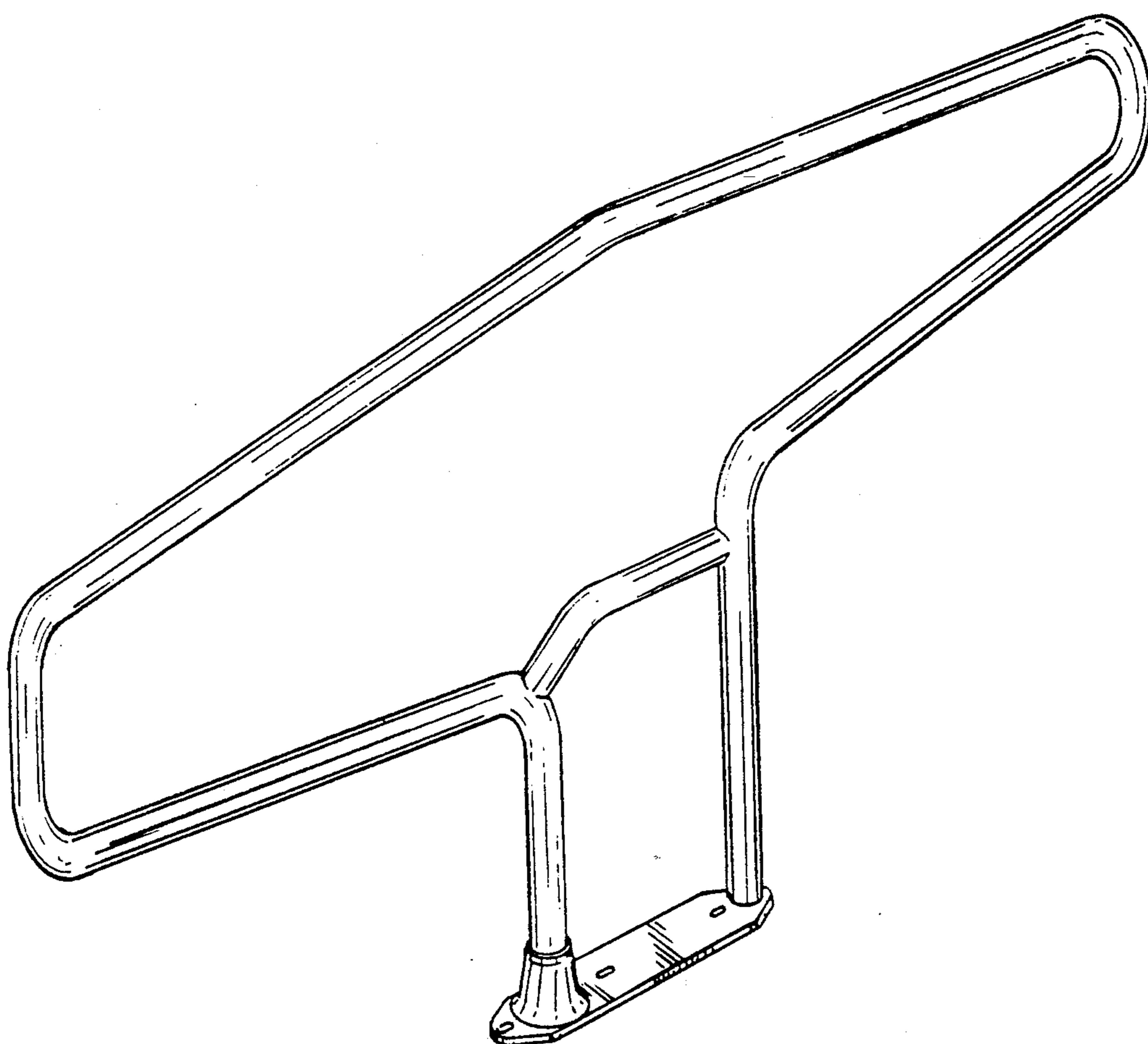


FIG. 1

