



US00D331642S

**United States Patent** [19]  
**DiGiovanni**

[11] **Patent Number: Des. 331,642**

[45] **Date of Patent: \*\* Dec. 8, 1992**

[54] **COMBINED ELECTRIC SHAVER AND STAND**

[75] **Inventor: Walter A. DiGiovanni, Fairfield, Conn.**

[73] **Assignee: Remington Products, Inc., Bridgeport, Conn.**

[\*\*] **Term: 14 Years**

[21] **Appl. No.: 547,066**

[22] **Filed: Jul. 2, 1990**

[52] **U.S. Cl. .... D28/50**

[58] **Field of Search ..... D28/44-54; 30/85-90, 32, 34.04; 248/127, 146, 176, 908, 346, 309.1, 314**

[56] **References Cited**

**U.S. PATENT DOCUMENTS**

D. 284,224	6/1986	Izumi	.....	D28/50
D. 297,772	9/1988	Izumi	.....	D28/50
D. 305,074	12/1989	MocKovak	.....	D28/73 X
D. 311,973	11/1990	Izumi	.....	D28/50
D. 311,974	11/1990	Izumi	.....	D28/50
3,797,109	3/1974	Yamada et al.	.....	30/89 X
4,688,329	8/1987	Oord	.....	30/89 X

**OTHER PUBLICATIONS**

Best 1986/87 Cat. p. 208, Bottom Left:Item #10.  
Housewares Jul. 1, 1988, Vibra-Shave Shaver and Stand.

W. Bell Sale Cat., Delivery Date Oct. 18, 1989, p. 20, item #7.

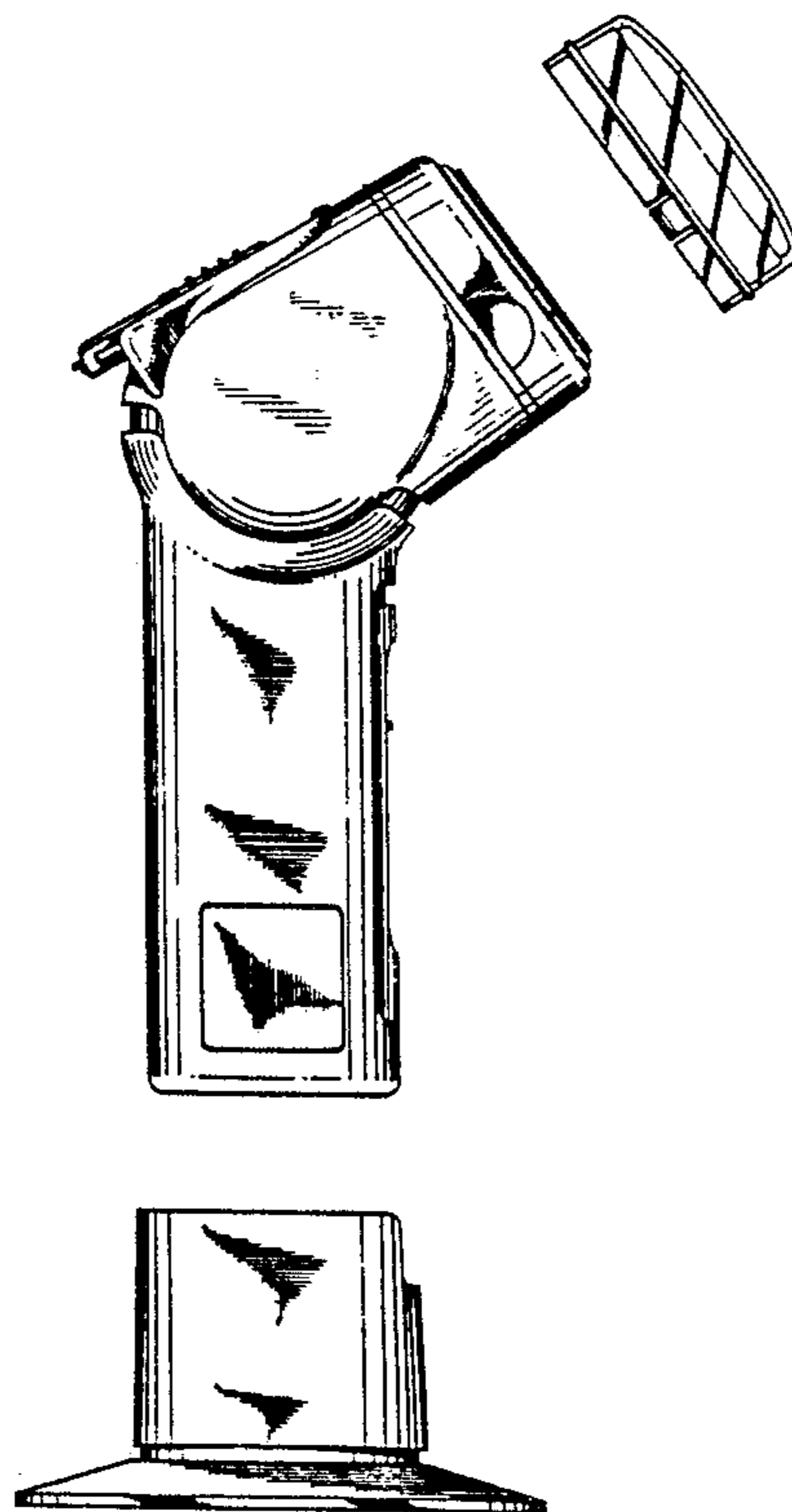
*Primary Examiner*—Bernard Ansher  
*Assistant Examiner*—C. Tuttle  
*Attorney, Agent, or Firm*—Melvin I. Stoltz

[57] **CLAIM**

The ornamental design for a combined electric shaver and stand, as shown and described.

**DESCRIPTION**

FIG. 1 is an exploded left side elevational view of a combined electric shaver and stand showing my new design, the side opposite being a mirror image of the side shown;  
FIG. 2 is a top plan view of the shaver portion, shown separately for clarity of illustration;  
FIG. 3 is a left side elevational view thereof;  
FIG. 4 is a front elevational view thereof;  
FIG. 5 is a top plan view of the cutting head element of the shaver, shown separately for clarity of illustration;  
FIG. 6 is a bottom plan view of FIGS. 2-4;  
FIG. 7 is a right side elevational view thereof;  
FIG. 8 is a rear elevational view thereof;  
FIG. 9 is a top perspective view of the stand element, shown separately for clarity of illustration;  
FIG. 10 is a top plan view thereof;  
FIG. 11 is a bottom view thereof;  
FIG. 12 is a front elevational view thereof;  
FIG. 13 is a right side elevational view thereof;  
FIG. 14 is a rear elevational view thereof; and,  
FIG. 15 is a left side elevational view thereof.



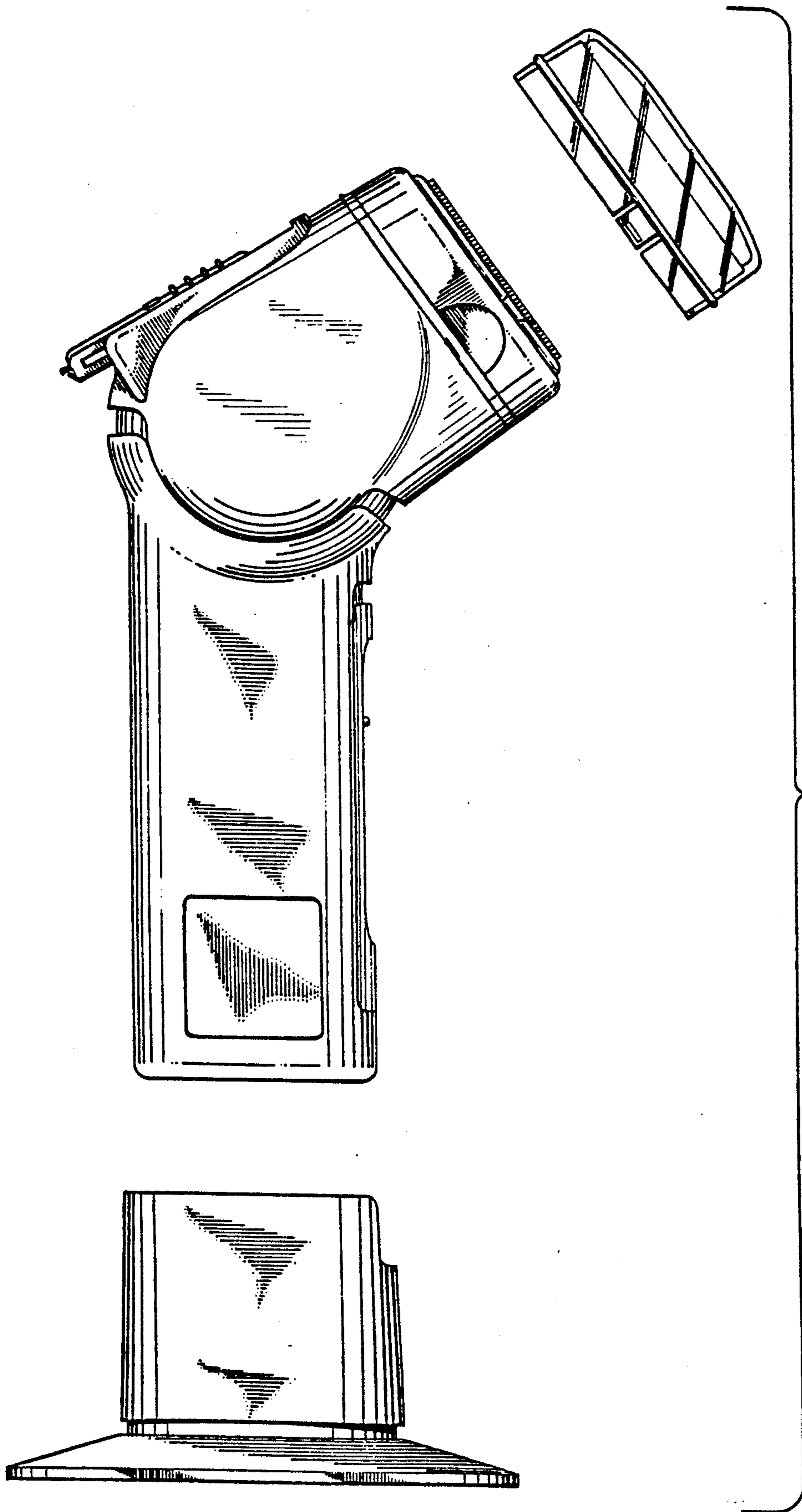


FIG. 1

FIG. 2

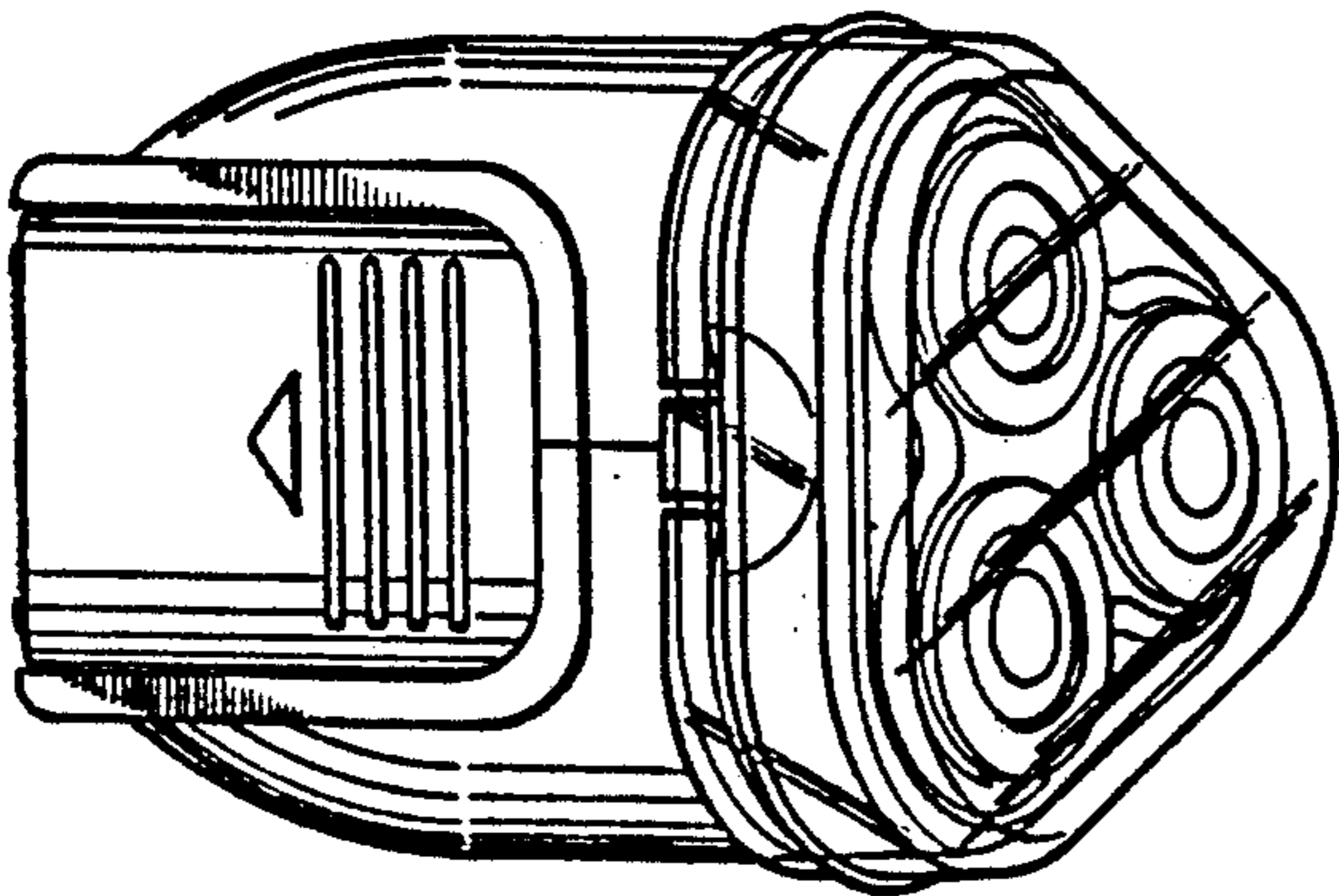


FIG. 5

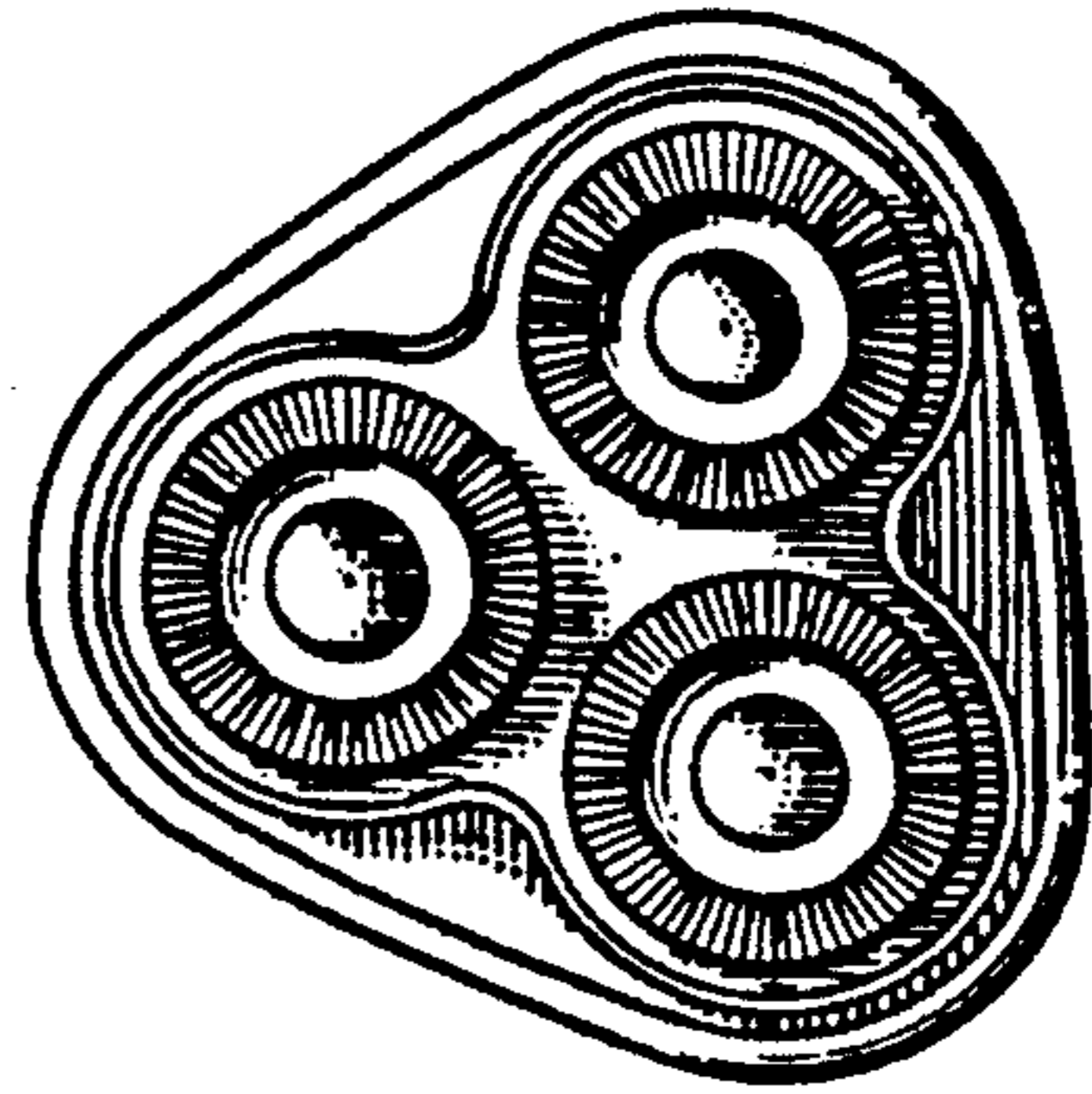


FIG. 3

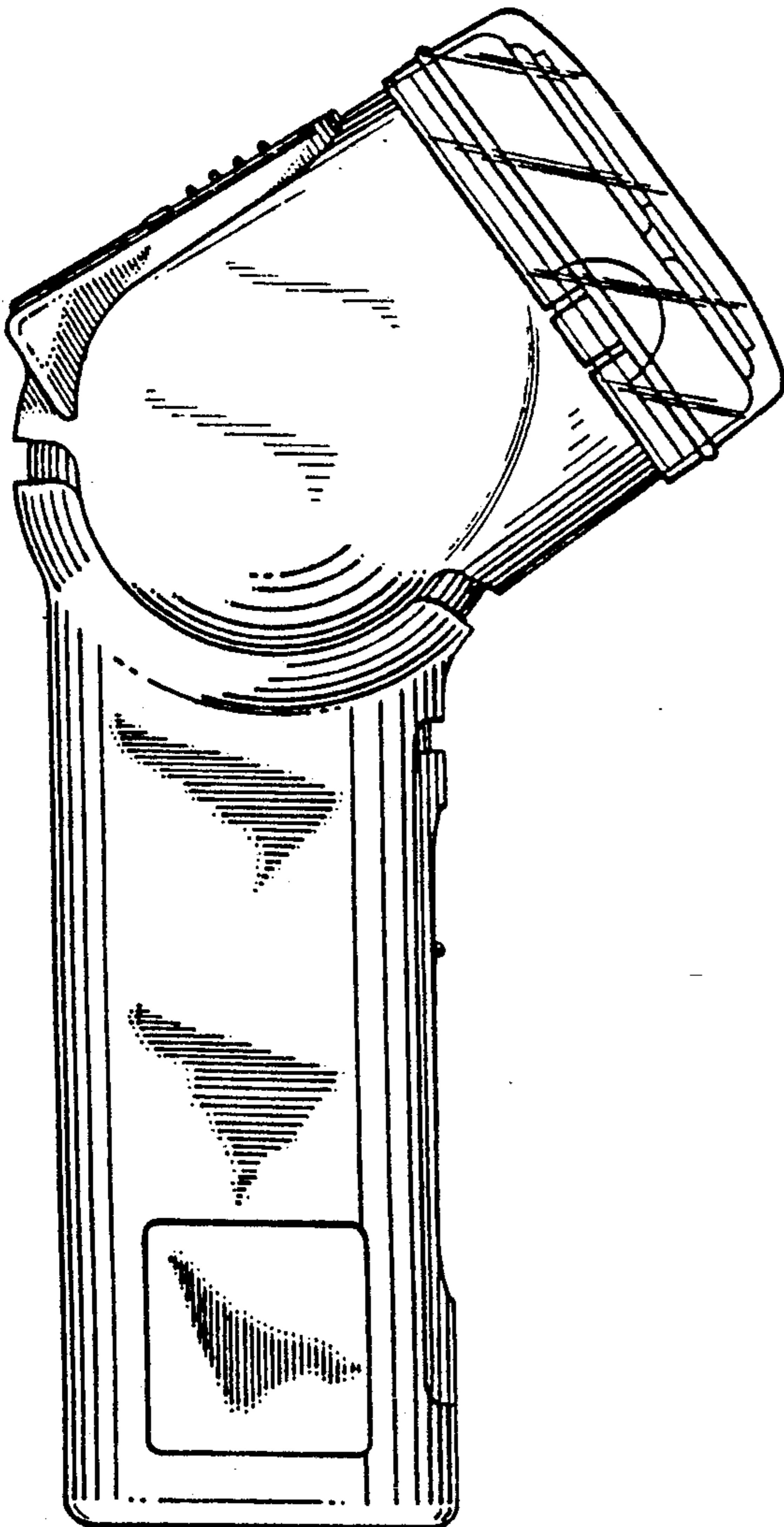


FIG. 4

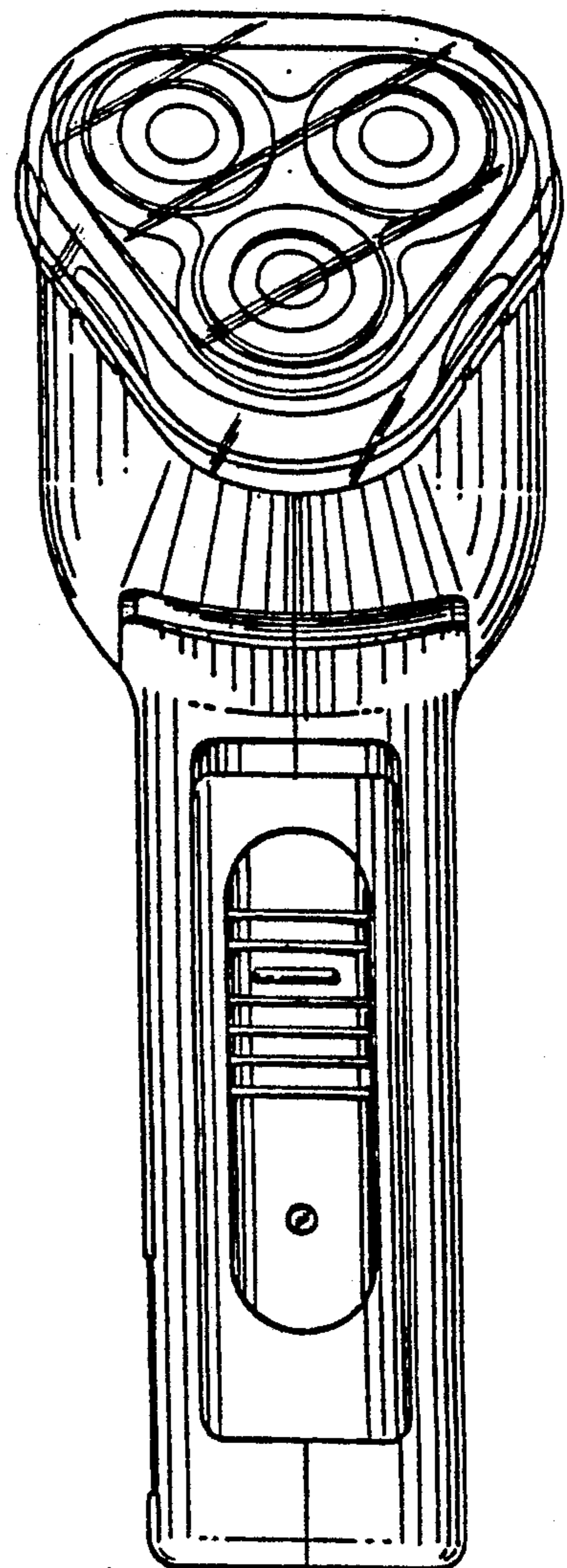


FIG. 6

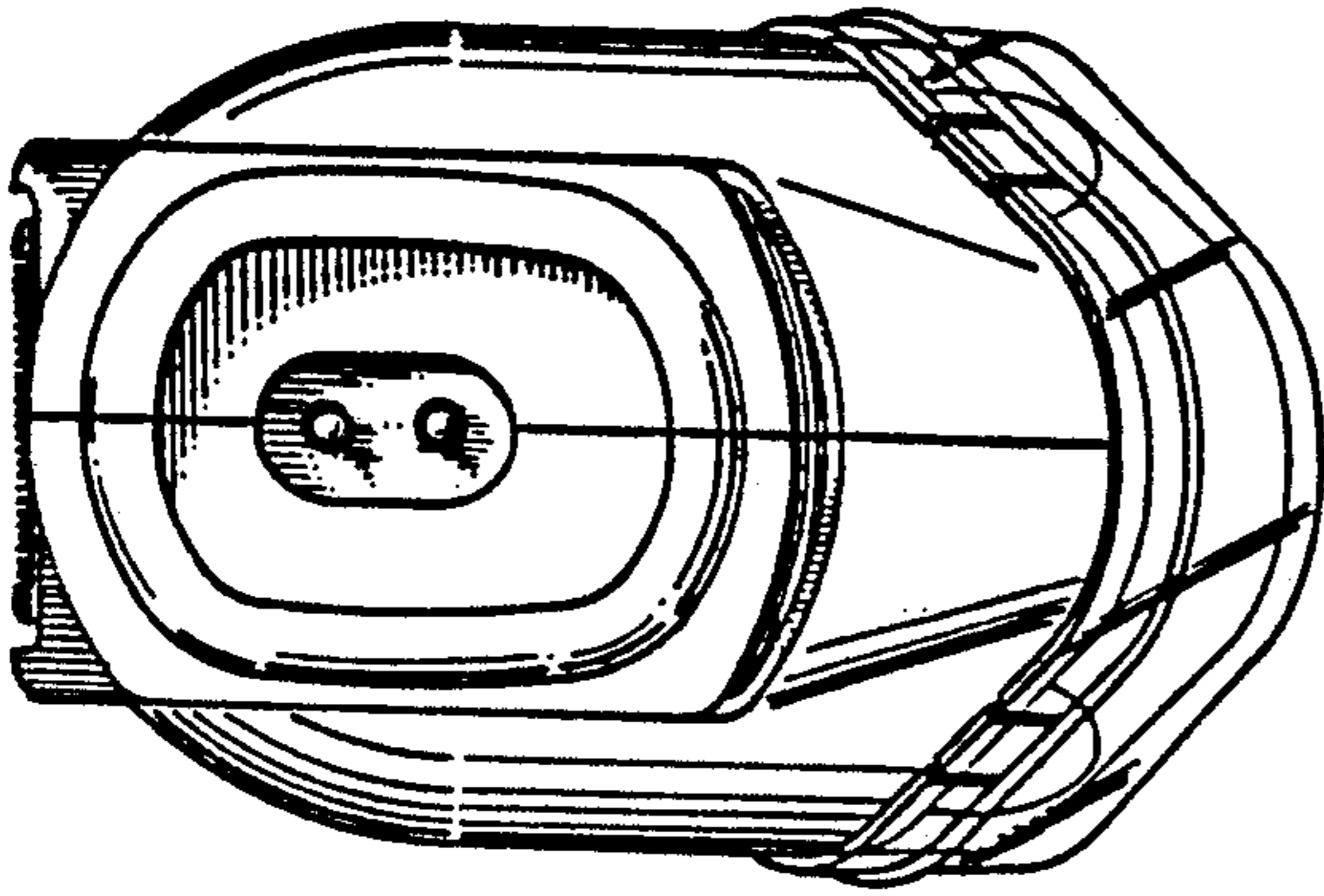


FIG. 7

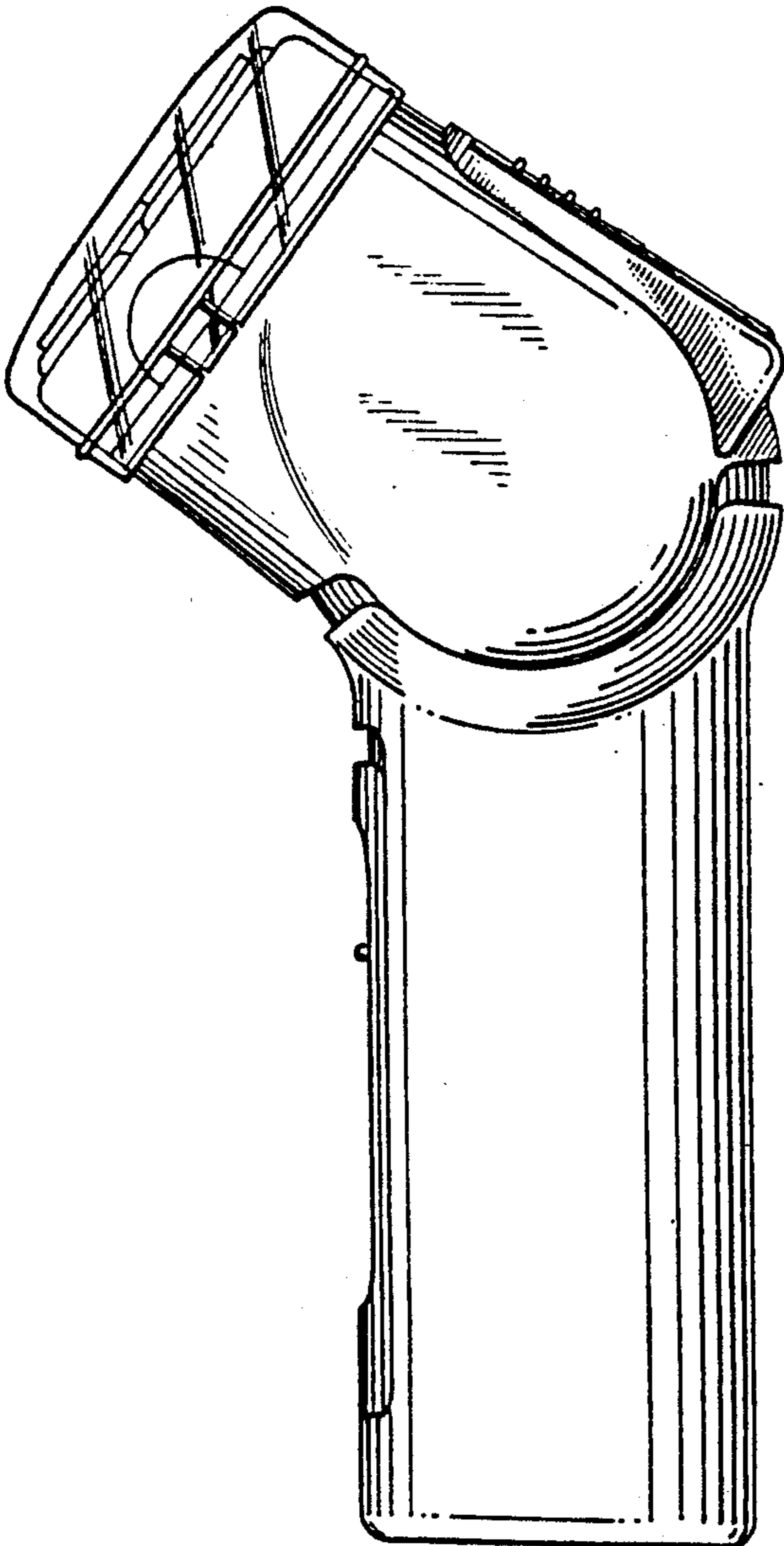


FIG. 8

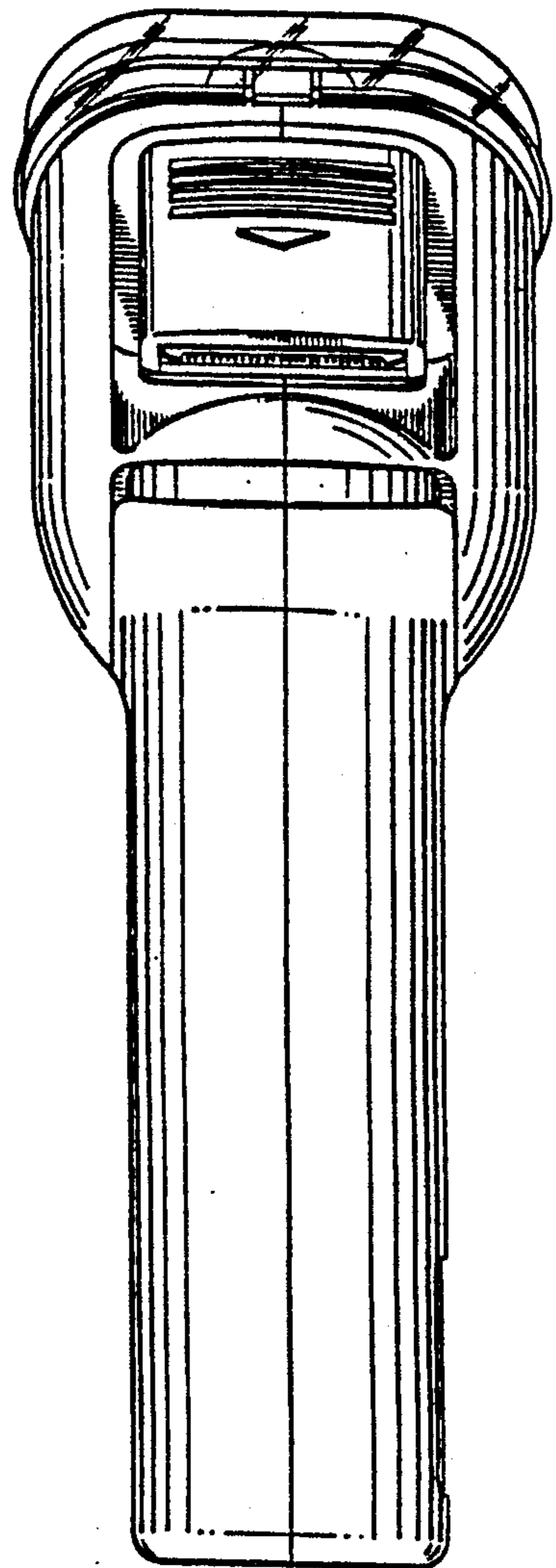


FIG. 9

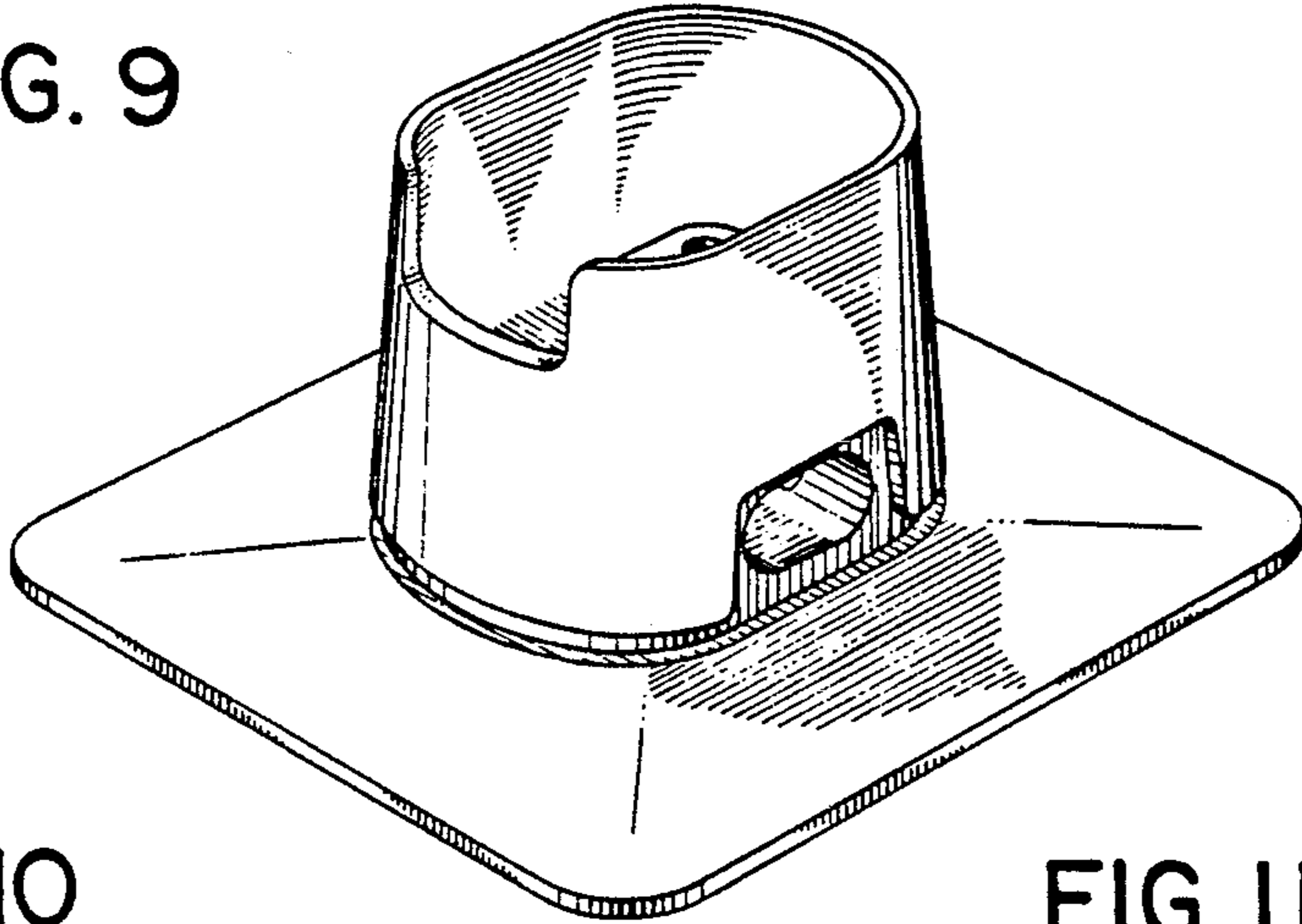


FIG. 10

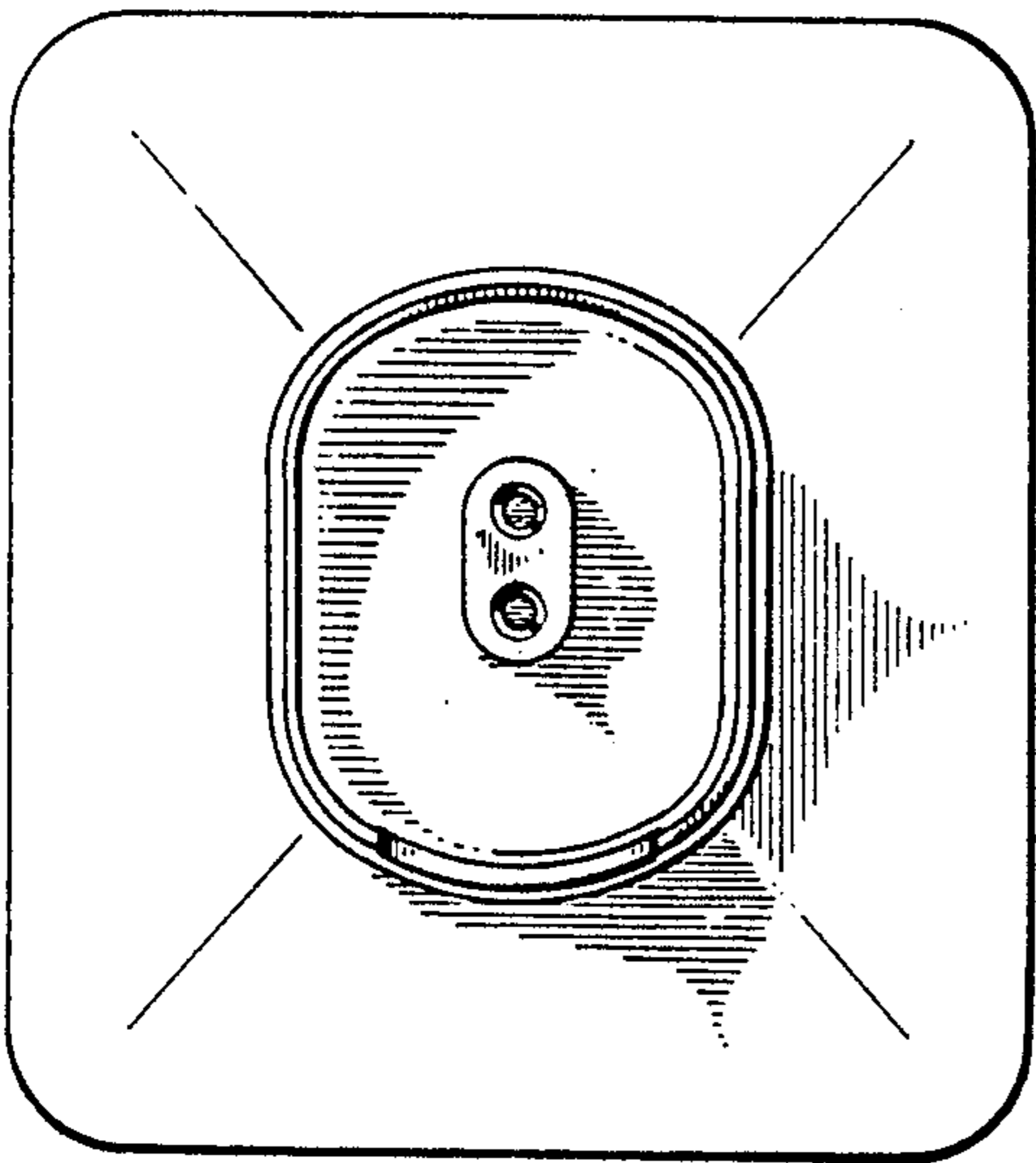


FIG. 11

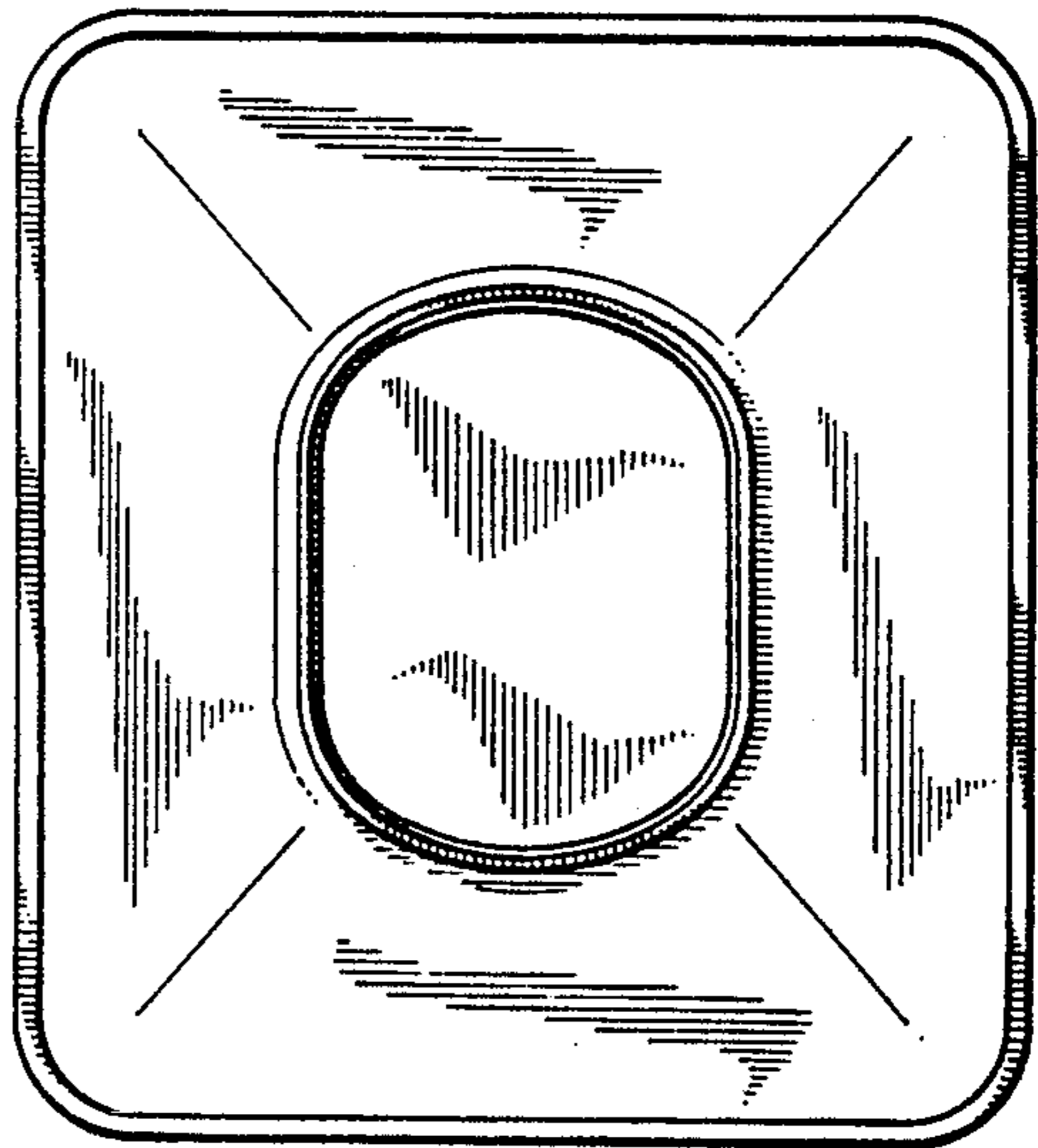


FIG. 12

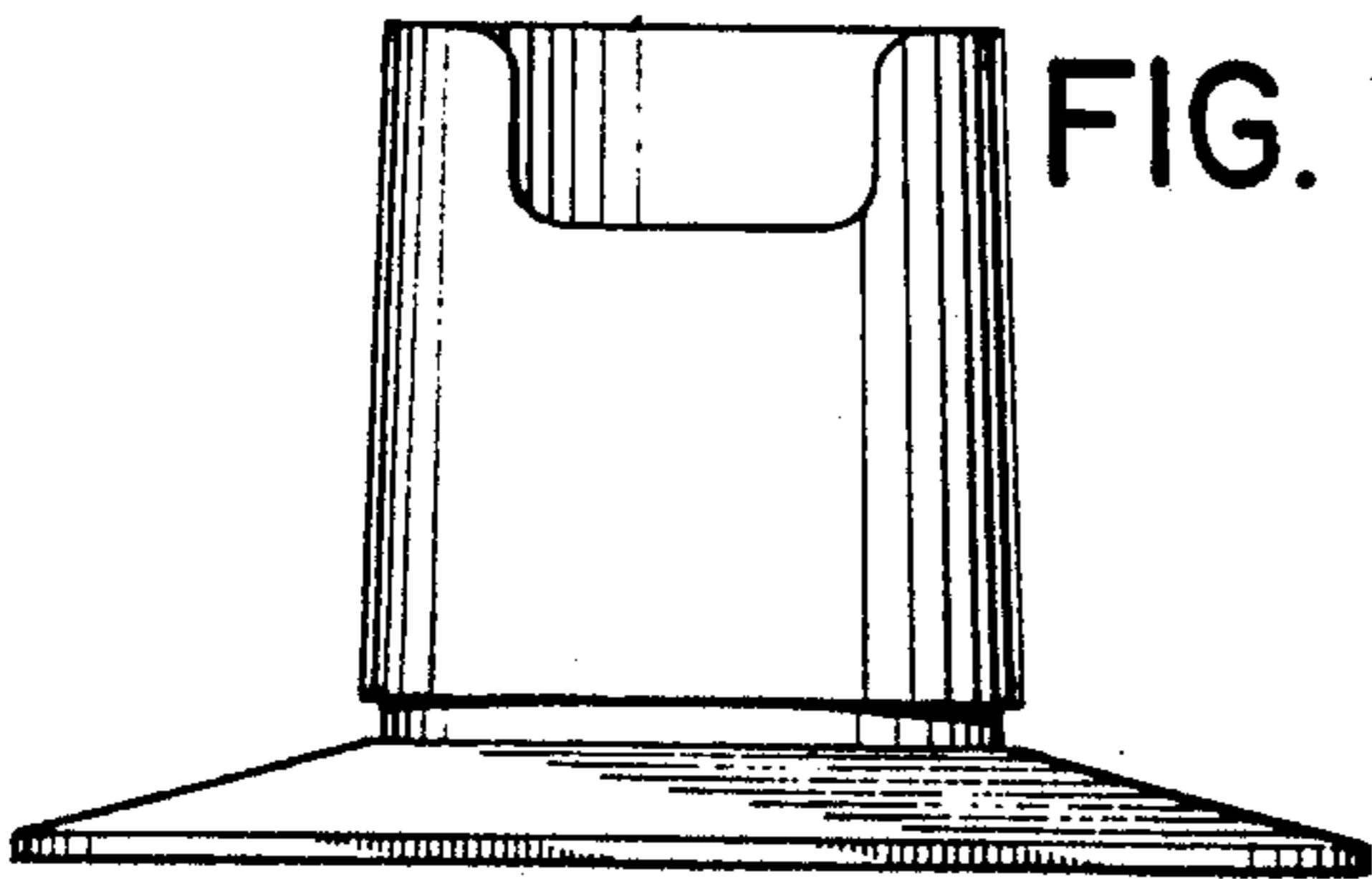


FIG. 13

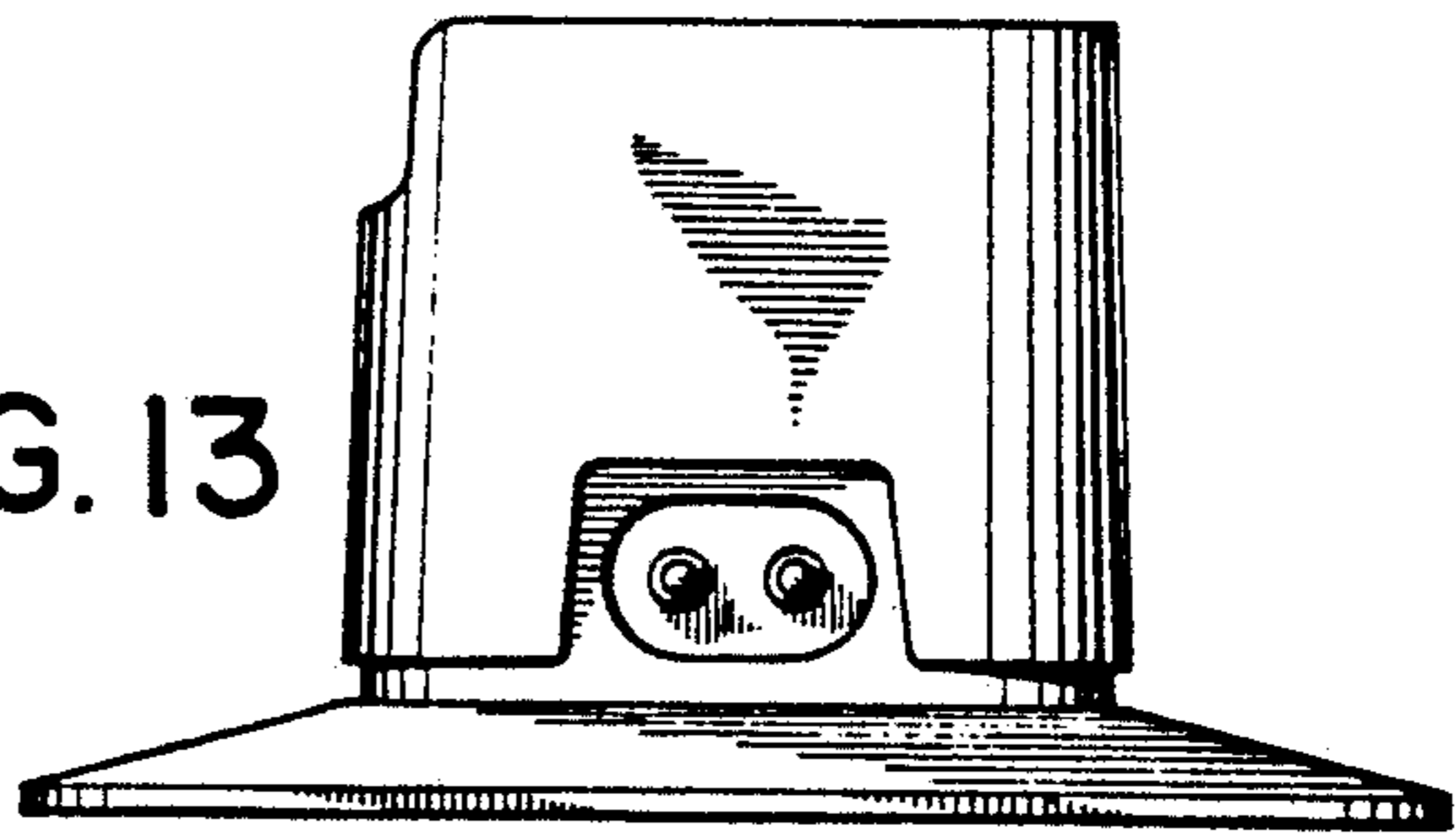


FIG. 14

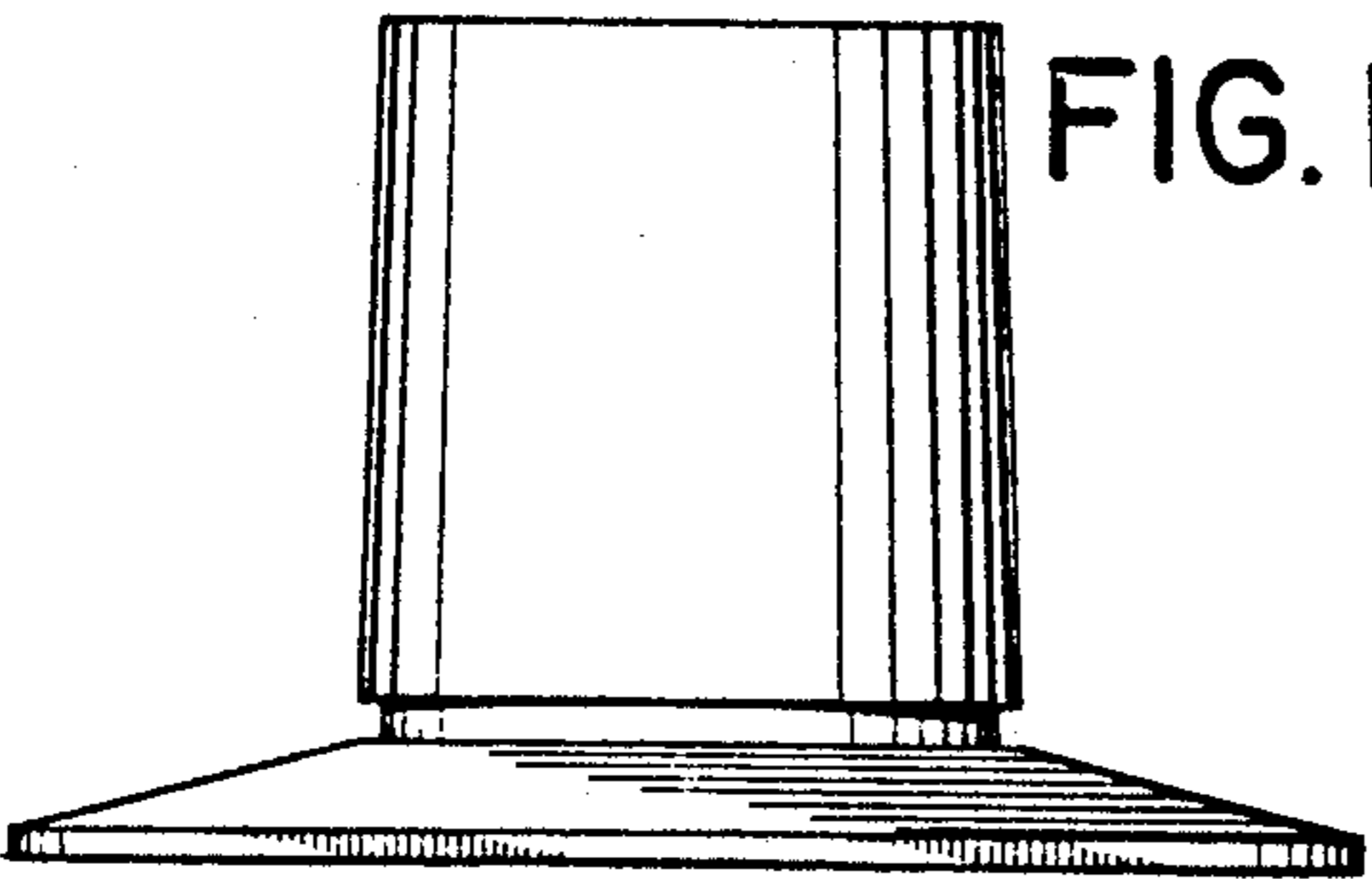


FIG. 15

