



US00D331641S

United States Patent [19]
Smal

[11] **Patent Number: Des. 331,641**
[45] **Date of Patent: ** Dec. 8, 1992**

[54] **CURLING IRON**

[75] **Inventor: Henri Smal, Blegny, Belgium**

[73] **Assignee: S. A. Sofac, Denain, France**

[**] **Term: 14 Years**

[21] **Appl. No.: 497,575**

[22] **Filed: Mar. 22, 1990**

[30] **Foreign Application Priority Data**

Dec. 18, 1989 [FR] France 89 7862
[52] **U.S. Cl. D28/35**
[58] **Field of Search D28/10, 35;**
132/226-236, 269; 214/222, 225

[56] **References Cited**

U.S. PATENT DOCUMENTS

D. 270,670 9/1983 Goto et al. D28/35
D. 313,484 1/1991 Wahl et al. D28/35
D. 313,671 1/1991 Ichikawa D28/35
1,073,336 9/1913 English 132/232
1,178,029 4/1916 Schwartz .
4,065,657 12/1977 Zusser 132/232 X
4,211,914 7/1980 Jackson 219/225

FOREIGN PATENT DOCUMENTS

180813 2/1986 Switzerland 132/232

OTHER PUBLICATIONS

Modern Salon, Jul. 1985, p. 23—2nd Curling iron from top.
Modern Salon The Guide 1988 p. 151—Curling iron at top.

Primary Examiner—Bernard Ansher
Assistant Examiner—C. Tuttle
Attorney, Agent, or Firm—Martin A. Farber

[57] **CLAIM**

The ornamental design for a curling iron, as shown and described.

DESCRIPTION

FIG. 1 is a right side elevational view of a curling iron showing my new design, the side opposite being a mirror image of the side shown;
FIG. 2 is a top plan view thereof;
FIG. 3 is a rear end elevational view thereof;
FIG. 4 is a front end elevational view thereof;
FIG. 5 is a bottom plan view thereof; and,
FIG. 6 is a bottom perspective view thereof.
The cord portion of the design is shown partially broken away in the various views to indicate indeterminate length.

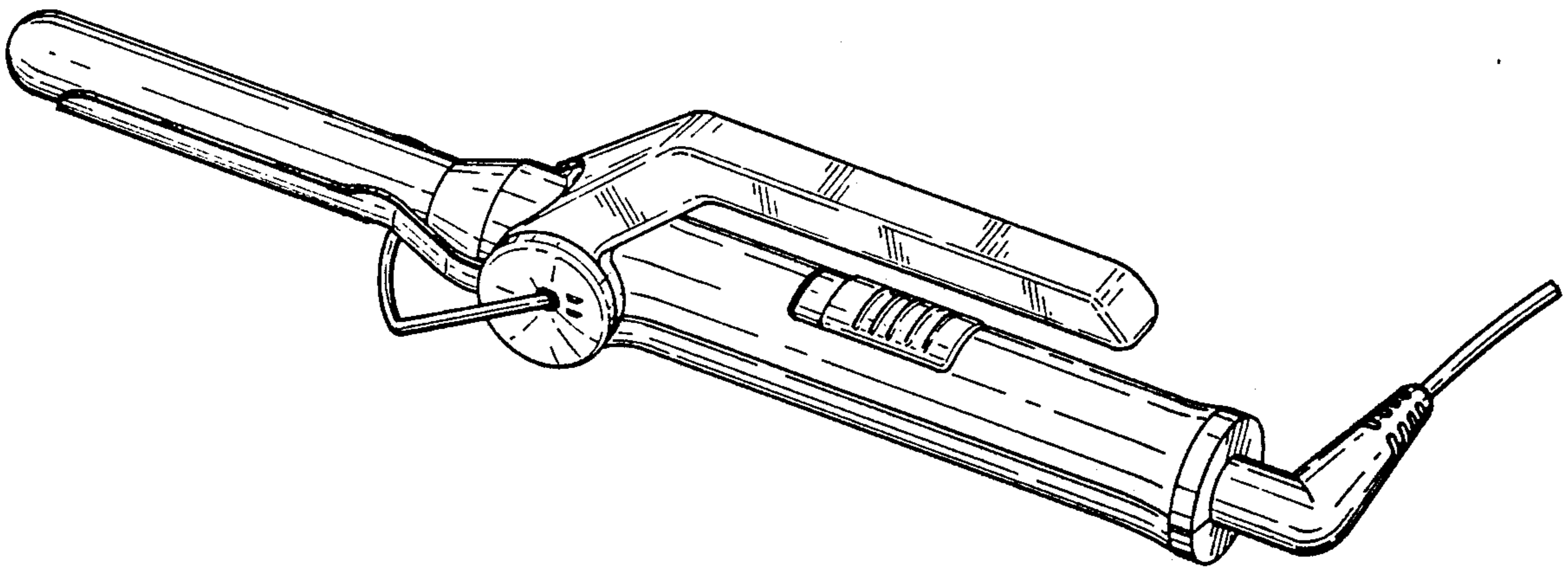


FIG. 2

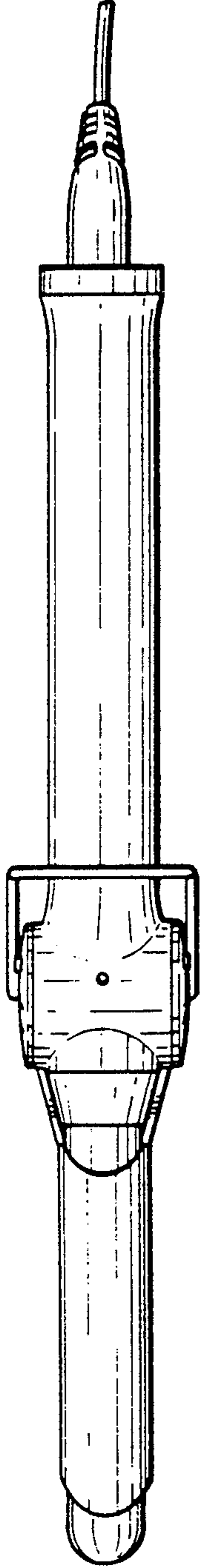


FIG. 1

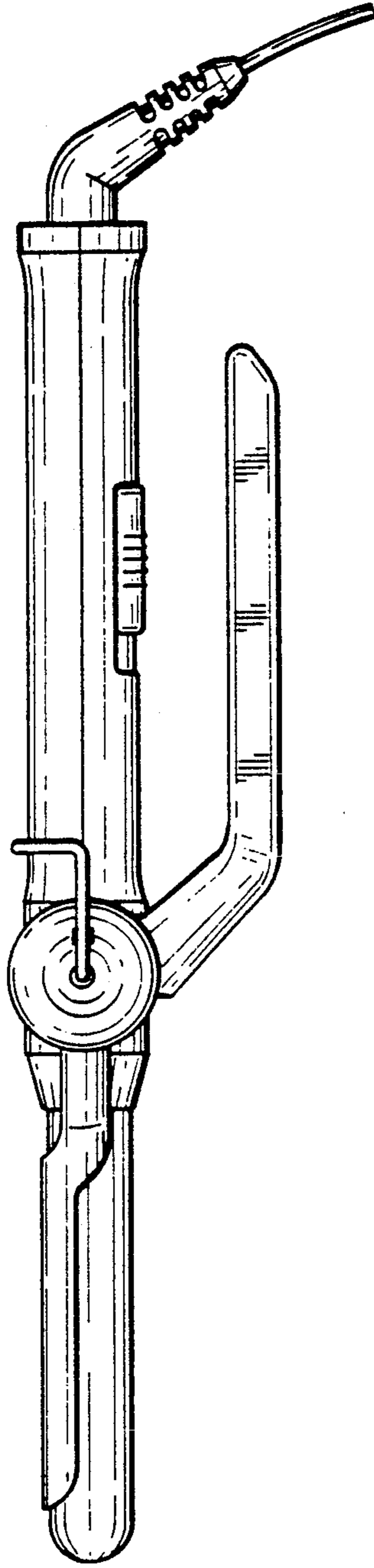


FIG. 3

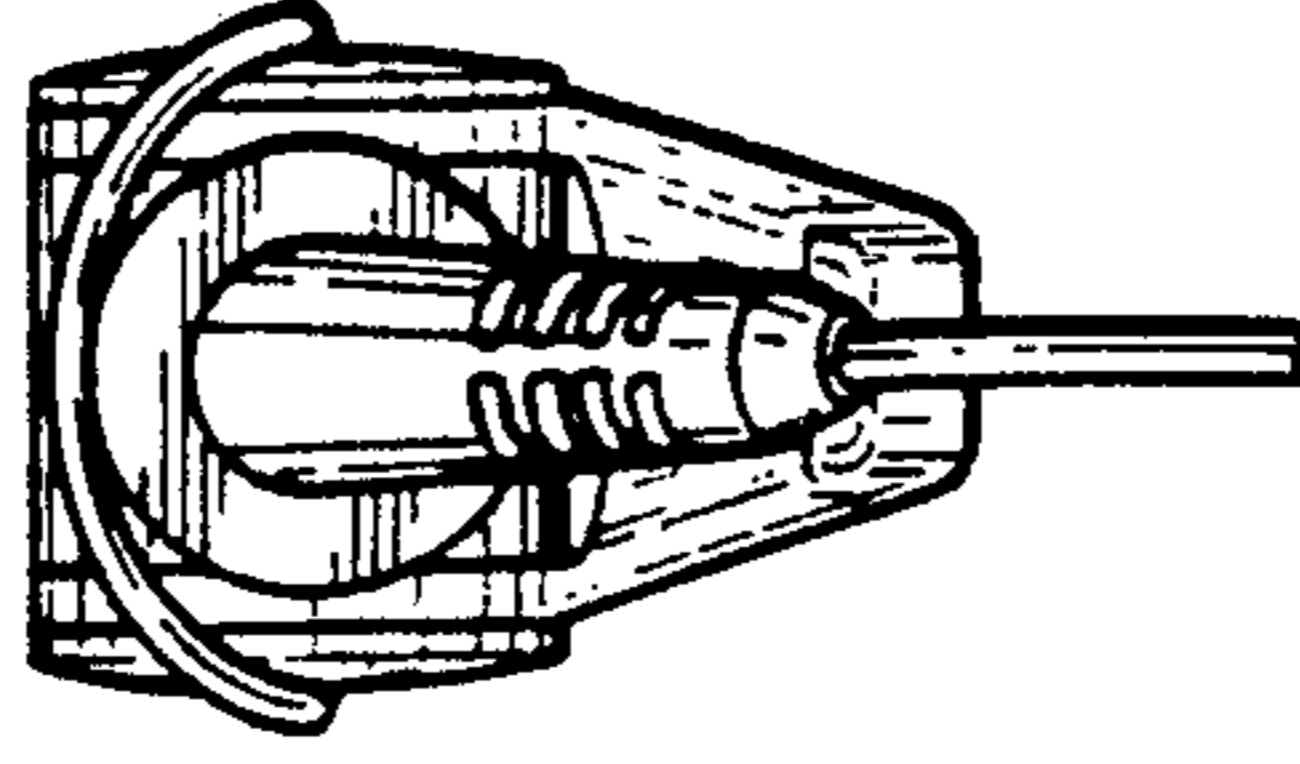


FIG. 4

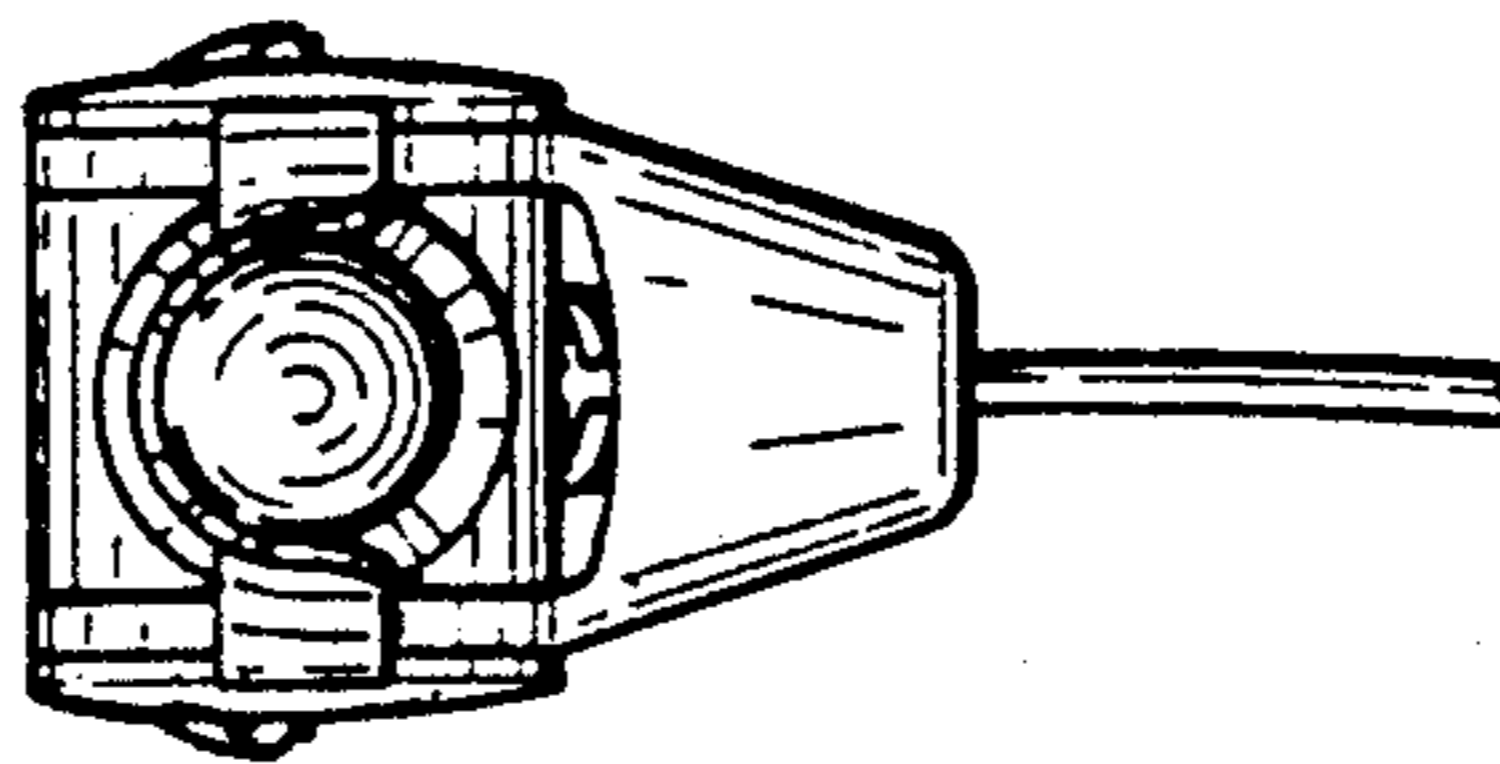


FIG. 5

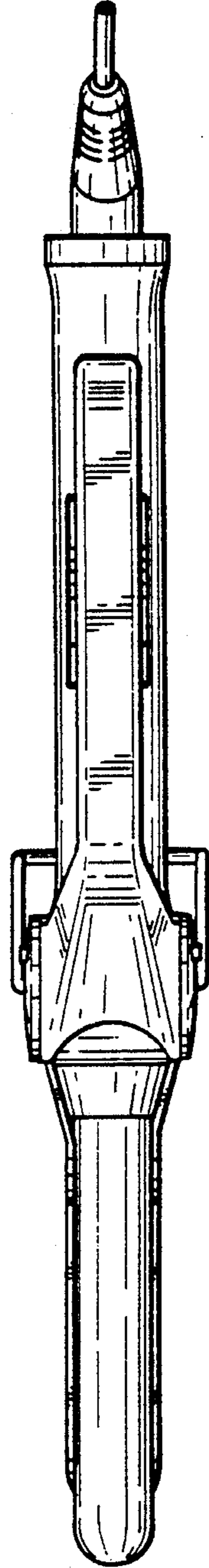


FIG. 6

