



US00D331638S

# United States Patent [19]

Vamberszky et al.

[11] Patent Number: **Des. 331,638**

[45] Date of Patent: **\*\* Dec. 8, 1992**

[54] **COMBINED TRIM AND DIFFUSER PANEL FOR RECESSED LIGHTING FIXTURE**

D. 303,436 9/1989 Clyde-Mason ..... D26/86  
D. 303,437 9/1989 Mason ..... D26/86

[75] Inventors: **Klaus Vamberszky**, Bregenz, Austria;  
**Marco Zanini**, Milan; **Sebastiano Mosterts**, Somma Lombardo, both of Italy

[73] Assignee: **Zumtobel Lighting, Inc.**, Garfield, N.J.

[\*\*] Term: **14 Years**

[21] Appl. No.: **505,001**

[22] Filed: **Apr. 5, 1990**

[52] U.S. Cl. .... **D26/118; D26/74; D26/85**

[58] Field of Search ..... **D26/72-92, D26/118, 120, 122, 123, 124, 138, 142, 143, 148, 149; 362/147, 404-408, 362, 364, 365**

[56] **References Cited**

### U.S. PATENT DOCUMENTS

D. 86,313 2/1932 Hollister ..... D26/88

### OTHER PUBLICATIONS

Home Lighting & Accessories, Feb. 1989, p. 77, United Nel Inc. Suspended Lighting Fixture.  
Kichler Lighting Catalog, 1987, p. 4, Lighting Fixture #K-2092.

*Primary Examiner*—Susan J. Lucas  
*Attorney, Agent, or Firm*—Kenyon & Kenyon

### [57] CLAIM

The ornamental design for a combined trim and diffuser panel for recessed lighting fixture, as shown and described.

### DESCRIPTION

FIG. 1 is a bottom perspective view of a combined trim & diffuser panel for recessed lighting fixture showing our new design;  
FIG. 2 is a side elevational view thereof, all sides being identical;  
FIG. 3 is a top plan view thereof; and,  
FIG. 4 is a bottom plan view thereof.

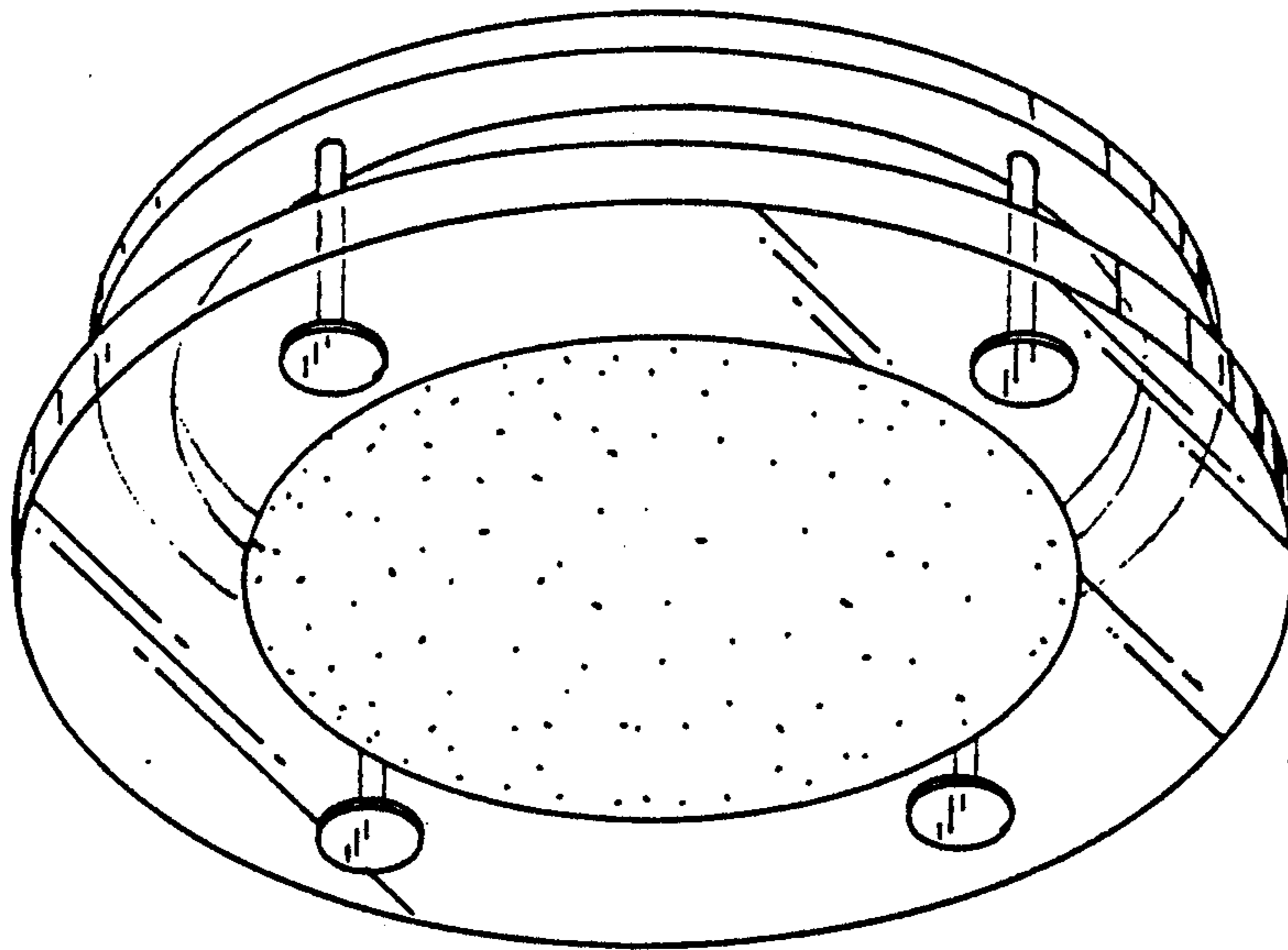


FIG. 1

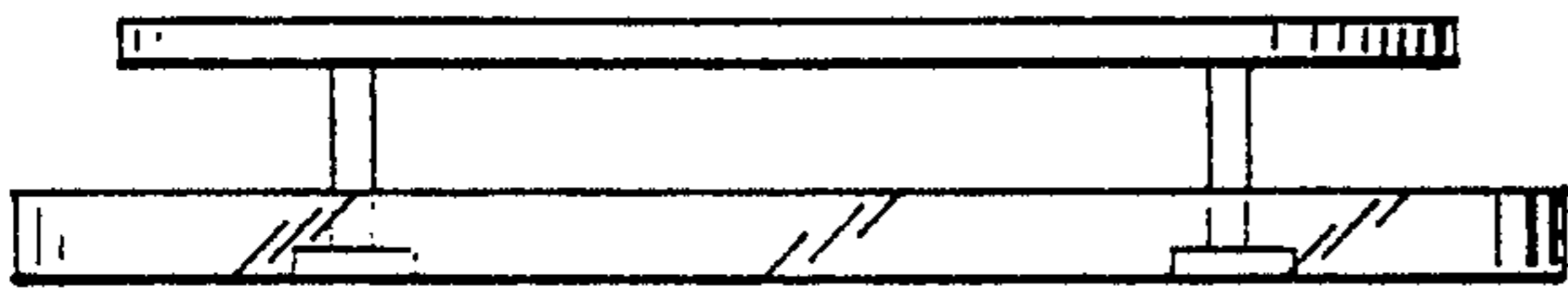
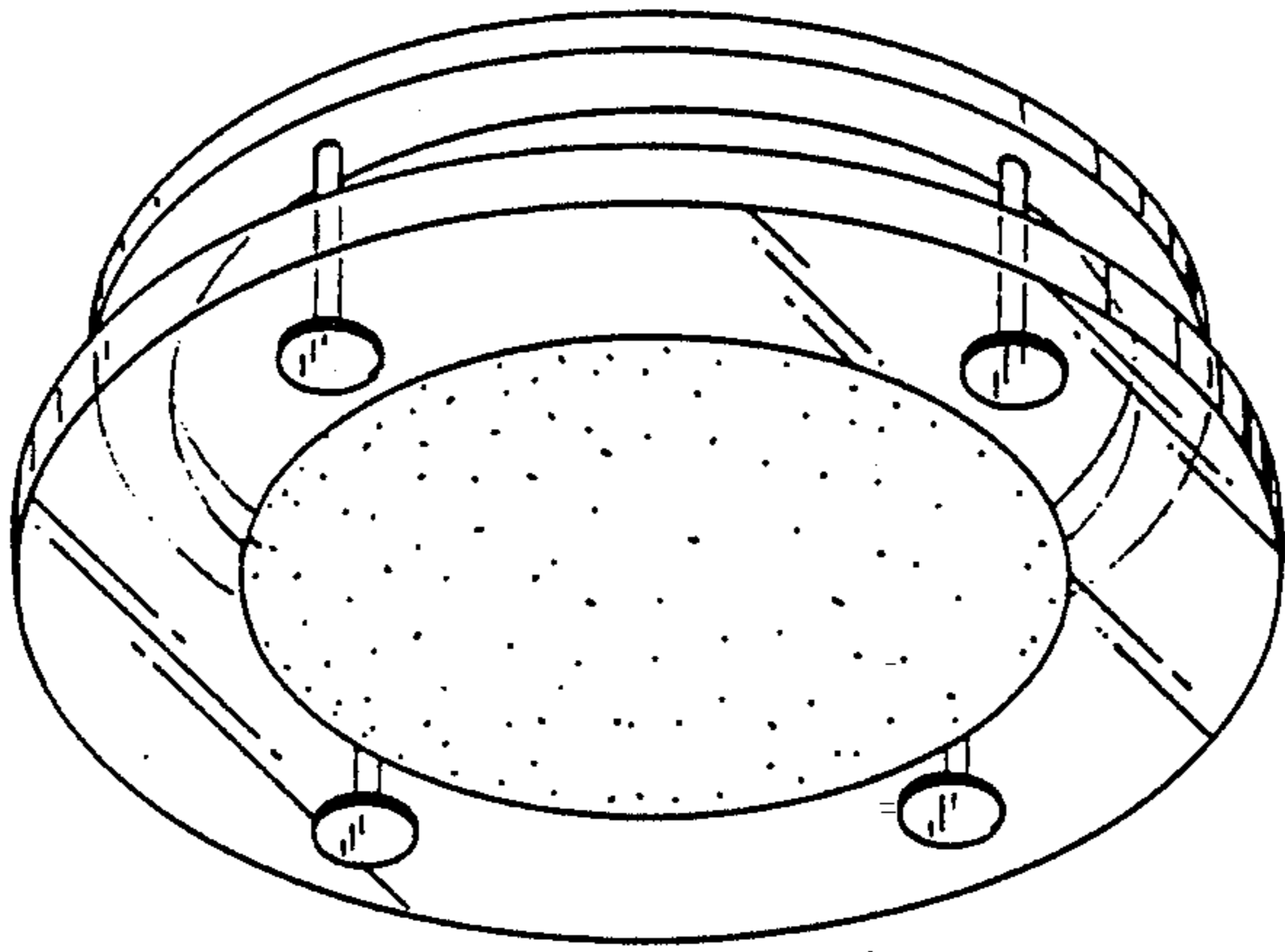


FIG. 2

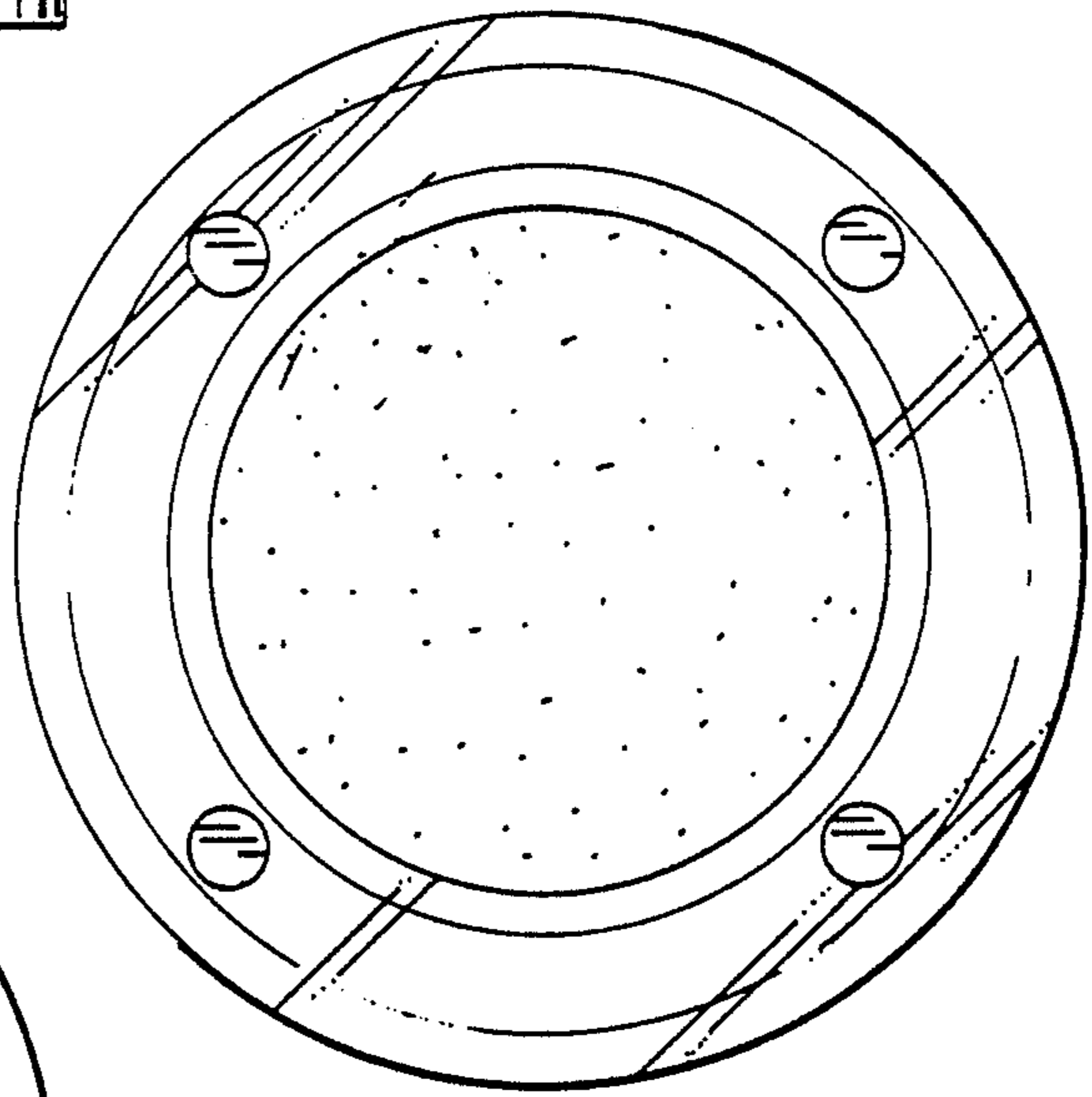


FIG. 4

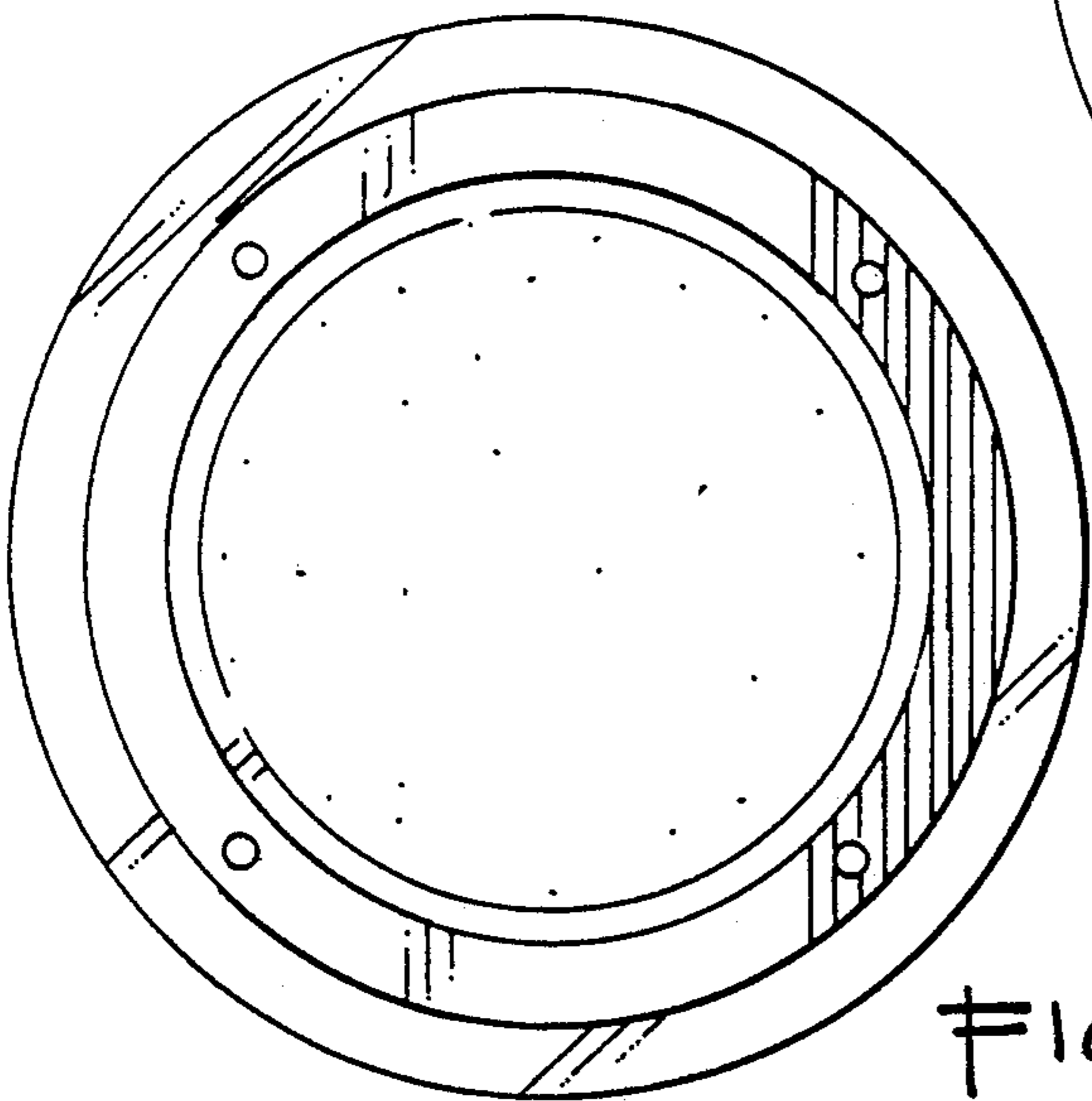


FIG. 3