



US00D331636S

United States Patent [19]

[11] Patent Number: **Des. 331,636**

Meck et al.

[45] Date of Patent: **** Dec. 8, 1992**

[54] **TABLE LAMP**

[75] Inventors: **Leslie A. Meck**, Blandon; **N. Peter Pettersson**, Bernville; **John Lehn**, Reading; **Peter S. Fayerman**, Gladwyn; **Michael J. Becker**, Lansdale, all of Pa.

[73] Assignee: **Baldwin Hardware Corporation**, Reading, Pa.

[**] Term: **14 Years**

[21] Appl. No.: **595,890**

[22] Filed: **Oct. 11, 1990**

[52] U.S. Cl. **D26/106**

[58] Field of Search **D26/93, 102-112; 362/410-414, 806**

[56] **References Cited**
PUBLICATIONS

- Hong Kong Enterprise, Jul. 1987, p. 50, Table Lamp (Top Right).
- Murray Feiss, Lamp Catalog, p. L9, Table Lamp #7951.
- Murray Feiss Lamp Catalog, p. L71, Table Lamp #8172, Rectangular Shade.

Murray Feiss Lamp Catalog, p. L70, Table Lamp #8173, Pleated Shade.

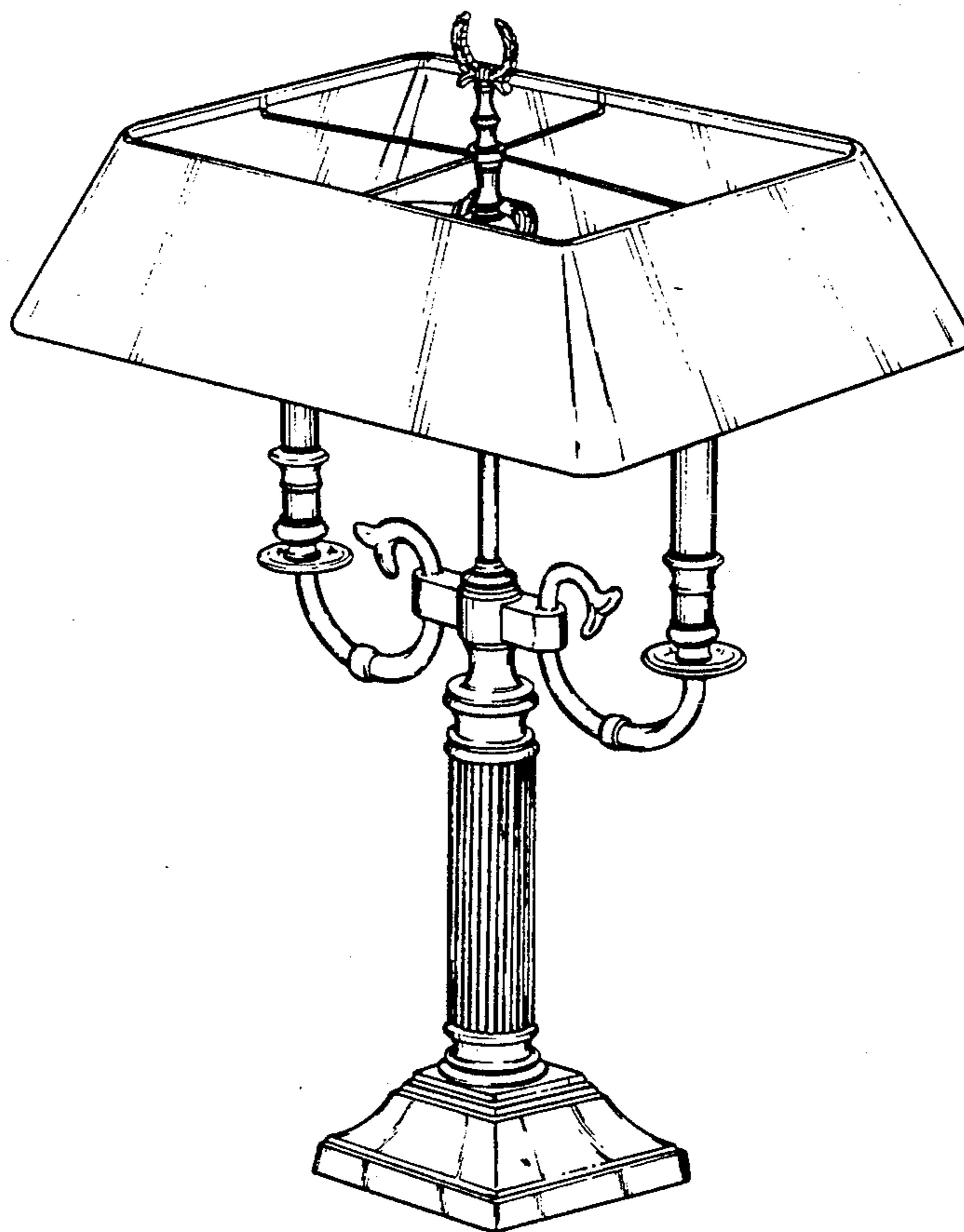
Primary Examiner—Susan J. Lucas
Attorney, Agent, or Firm—Myron B. Kapustij; Malcolm L. Sutherland

[57] **CLAIM**

The ornamental design for a table lamp, as shown and described.

DESCRIPTION

FIG. 1 is a front perspective view of a table lamp showing our new design;
 FIG. 2 is a front elevational view thereof, the rear being a mirror image;
 FIG. 3 is a side elevational view thereof, the opposite side being a mirror image;
 FIG. 4 is an enlarged cross-sectional view thereof as taken along line 4-4 of FIG. 2;
 FIG. 5 is an enlarged cross-sectional view thereof as taken along line 5-5 of FIG. 2;
 FIG. 6 is a greatly enlarged cross-sectional view thereof as taken along line 6-6 of FIG. 3;
 FIG. 7 is a top plan view thereof;
 FIG. 8 is a front perspective view of a second embodiment of our new design, the second embodiment differing from the first only in the configuration of the shade; and,
 FIG. 9 is a top plan view thereof.



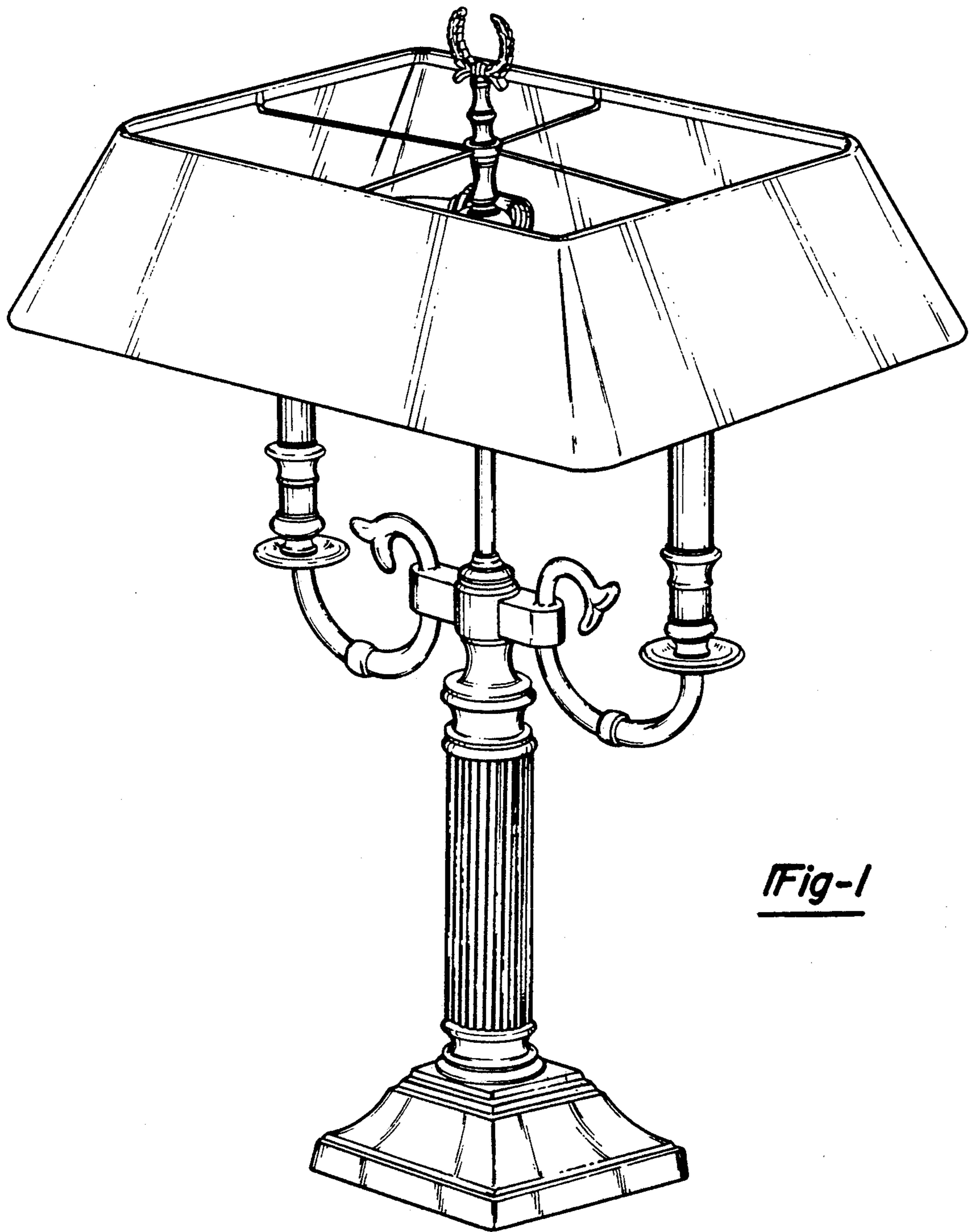


Fig-1

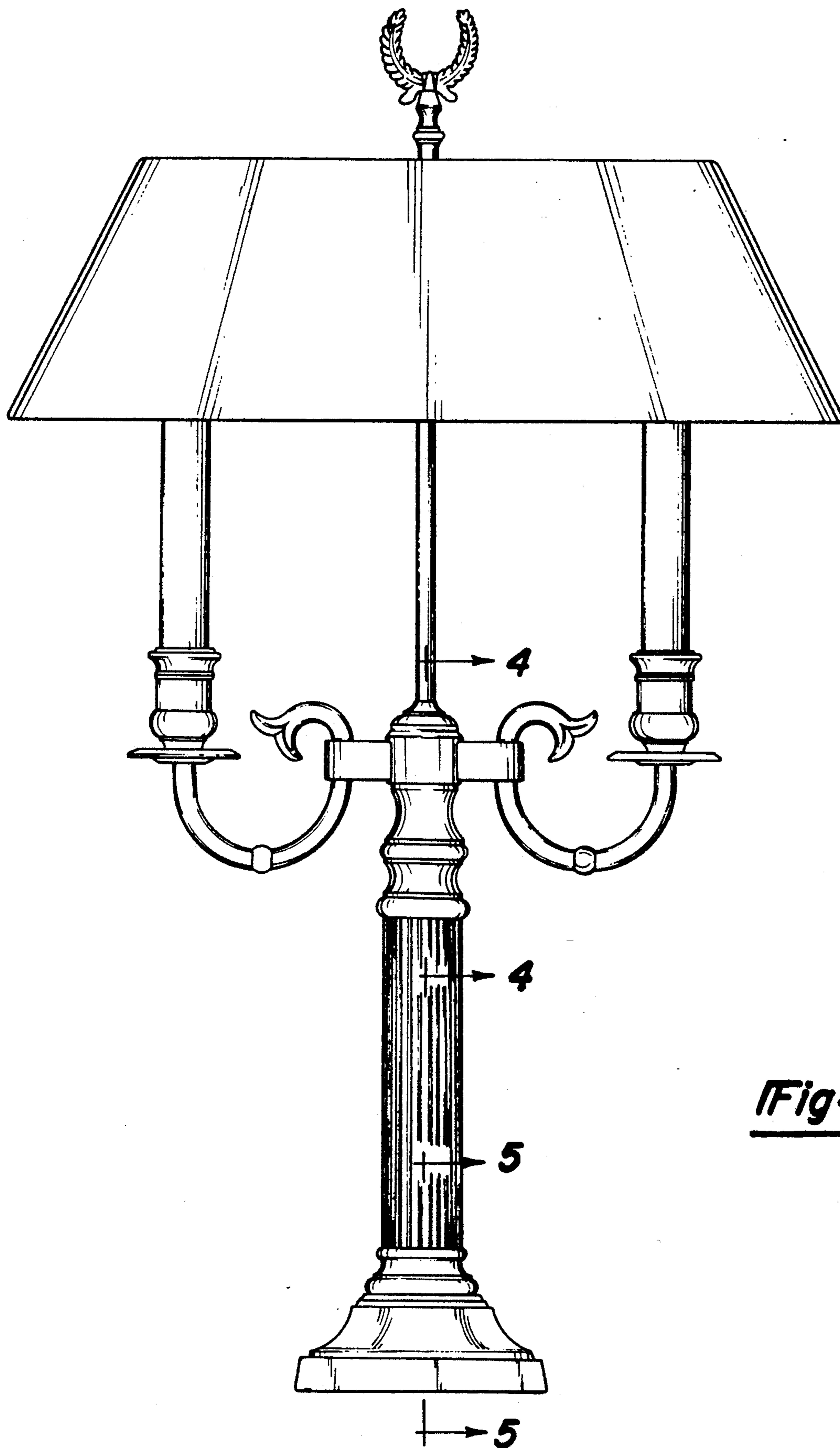


Fig-2

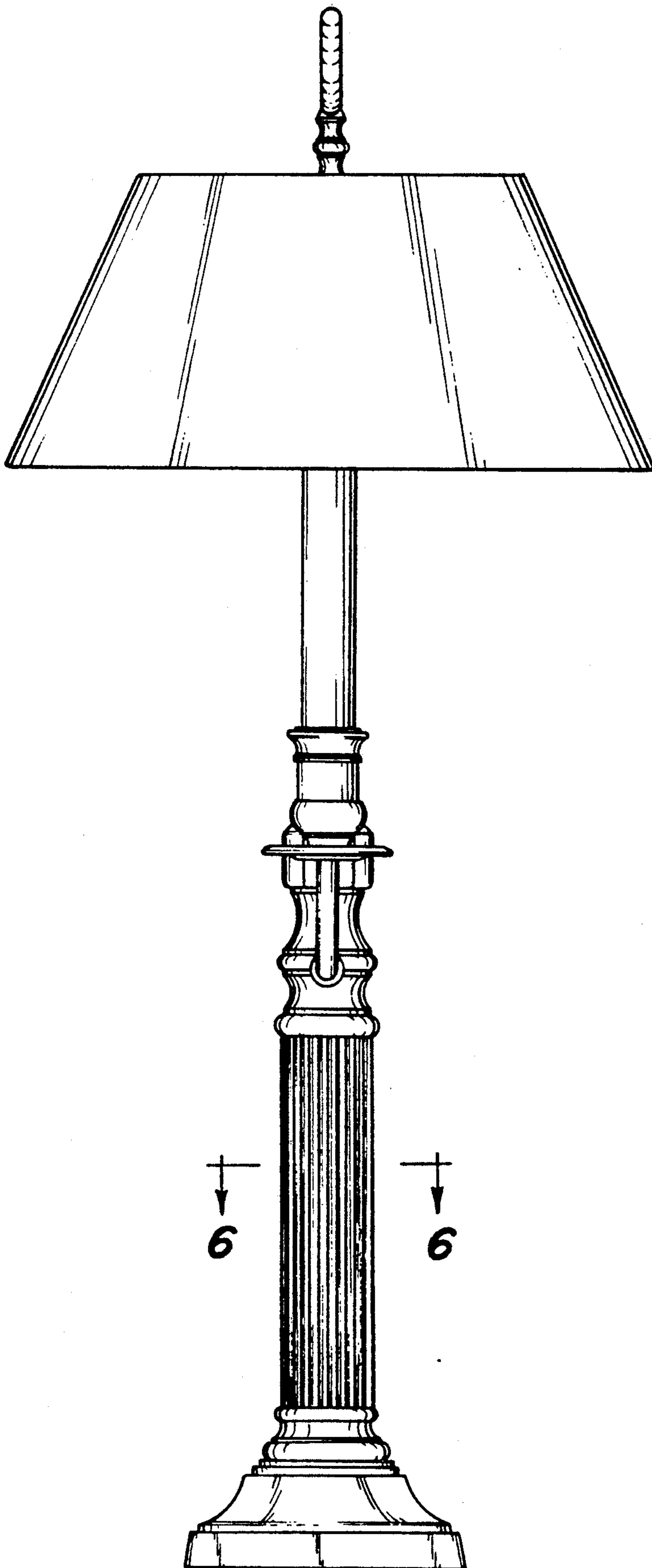


Fig-3

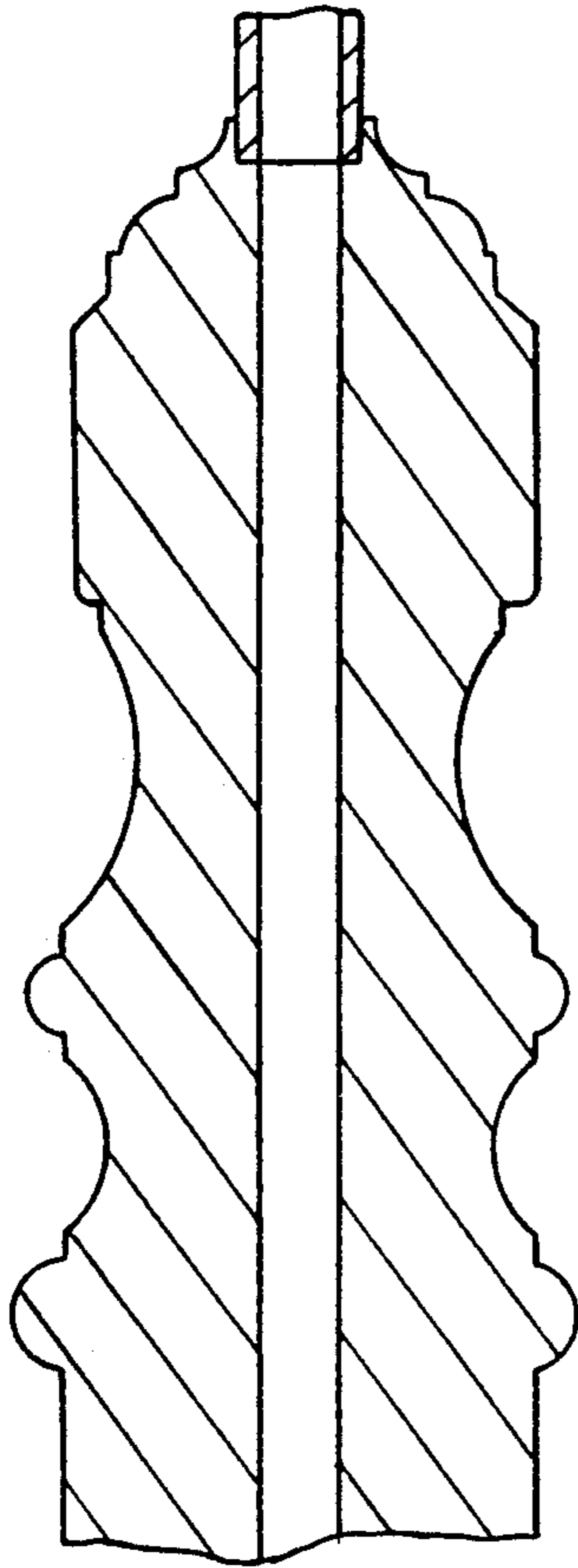


Fig-4

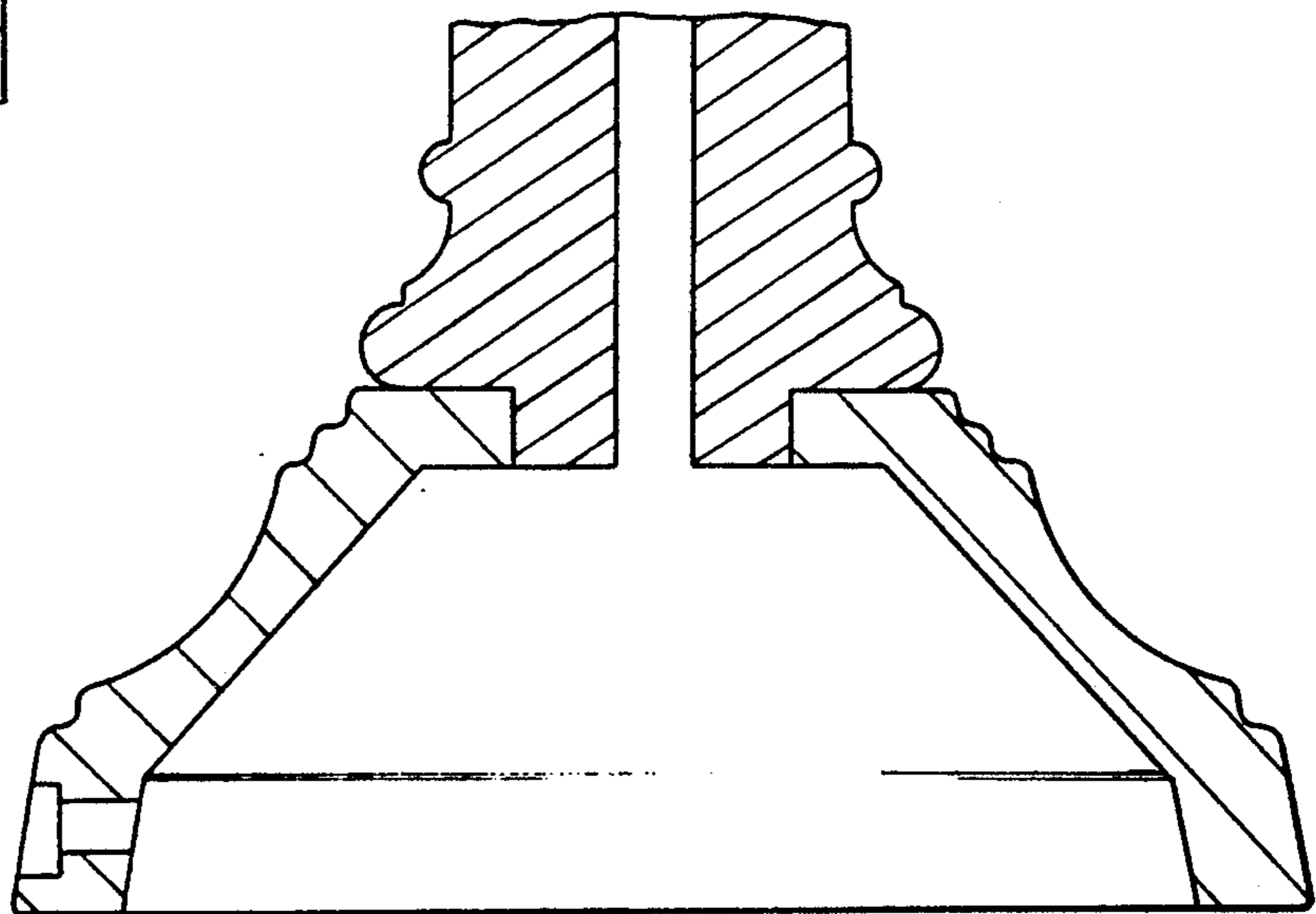


Fig-5

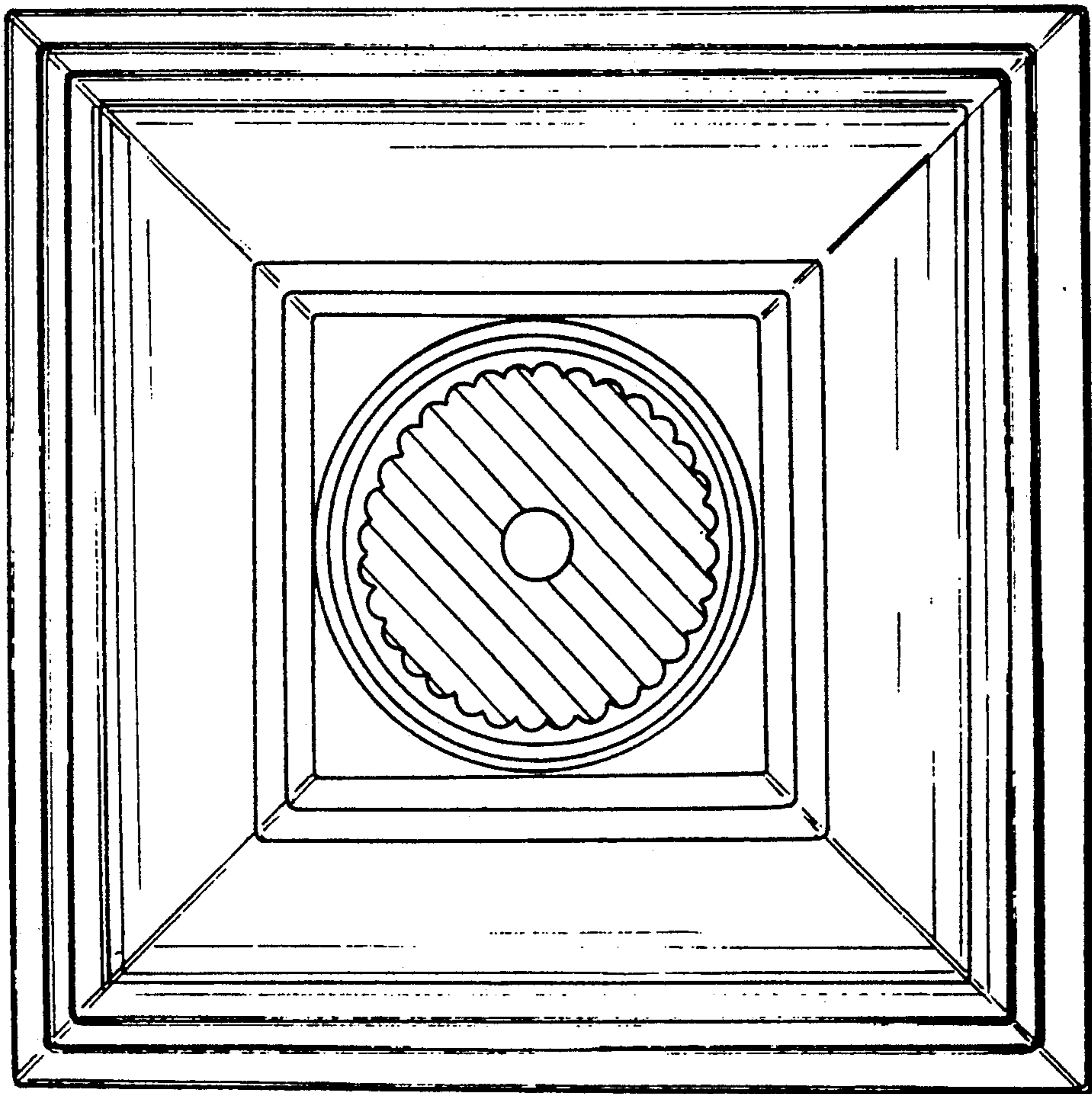


Fig-6

Fig-7

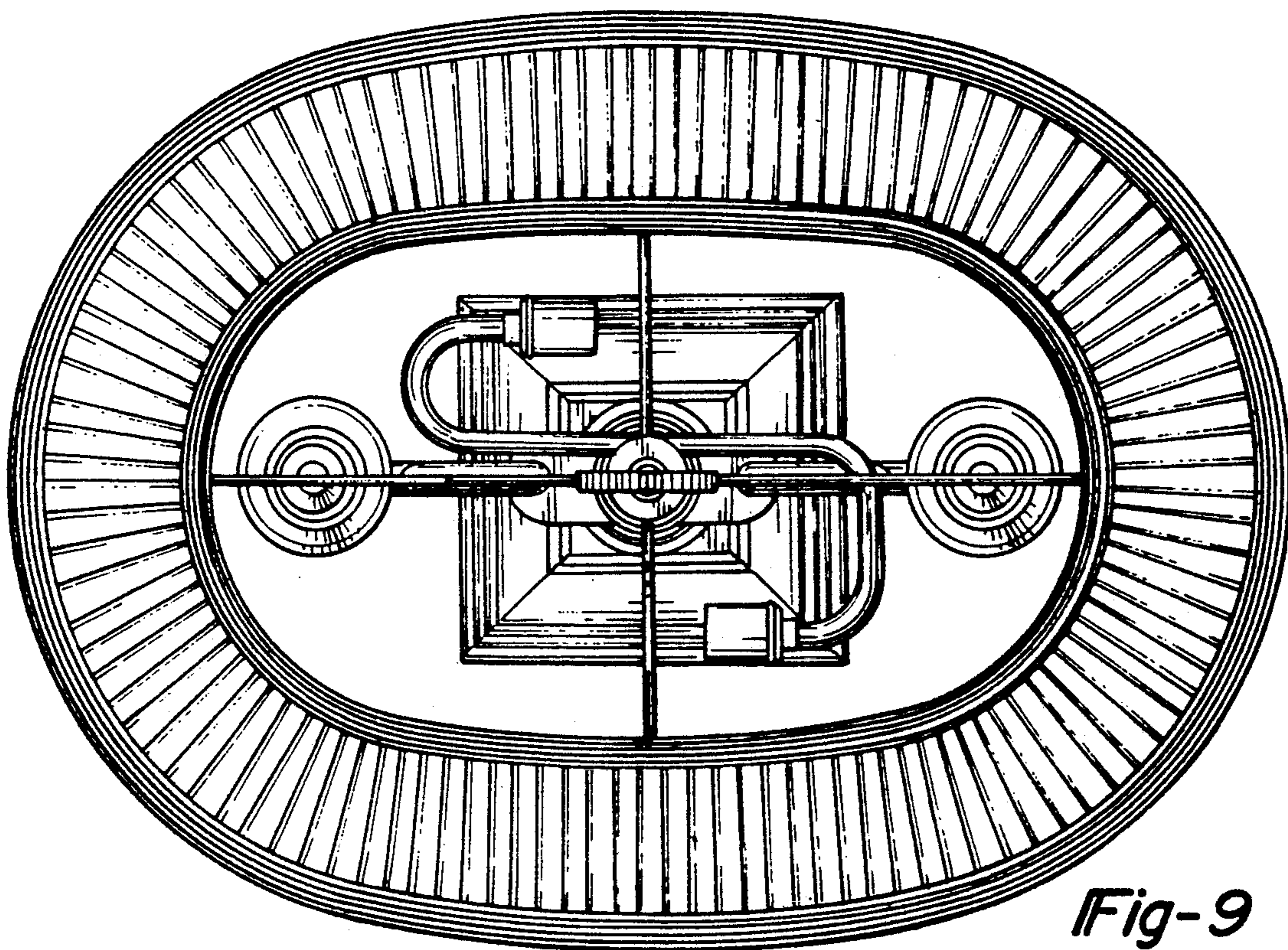
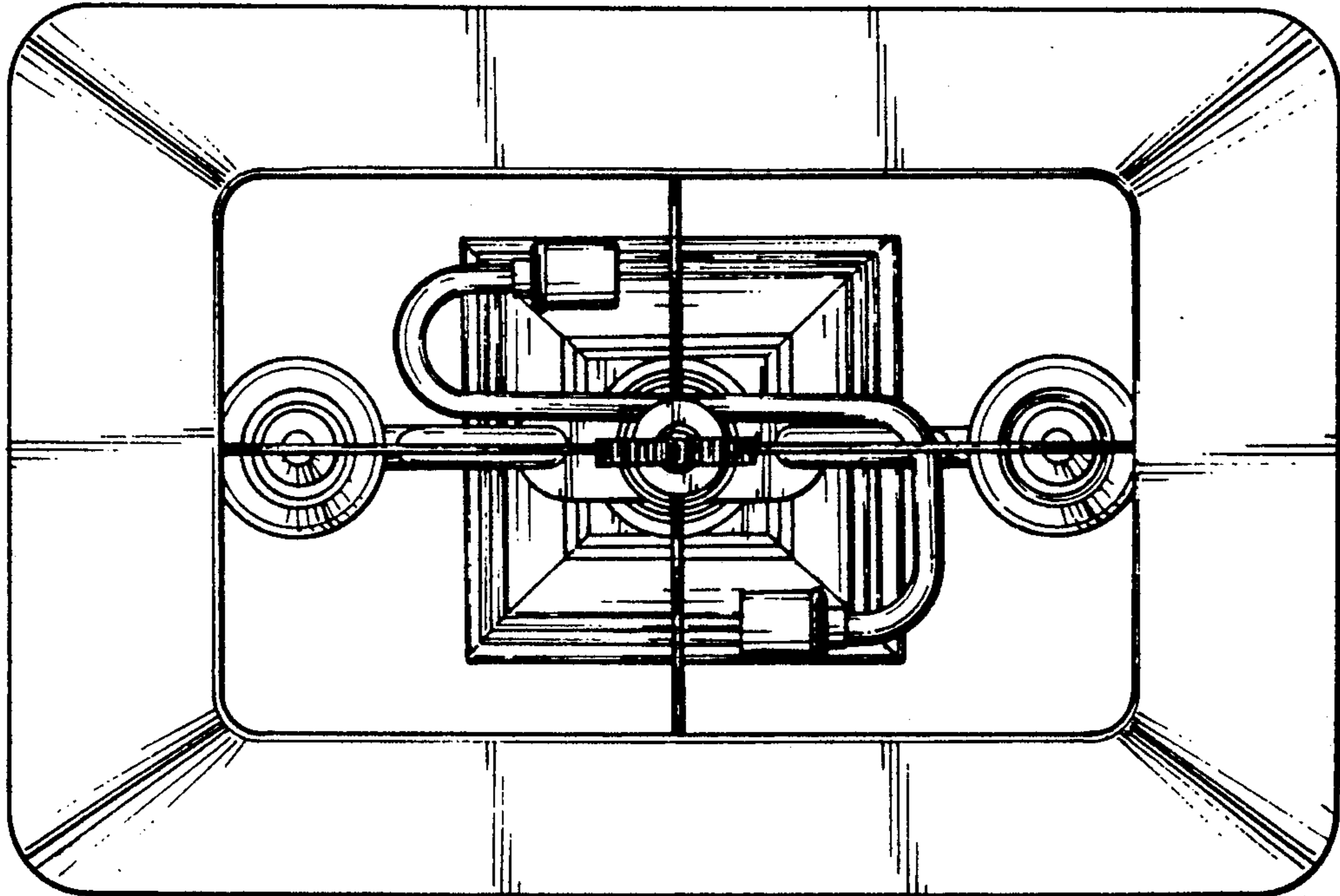


Fig-9

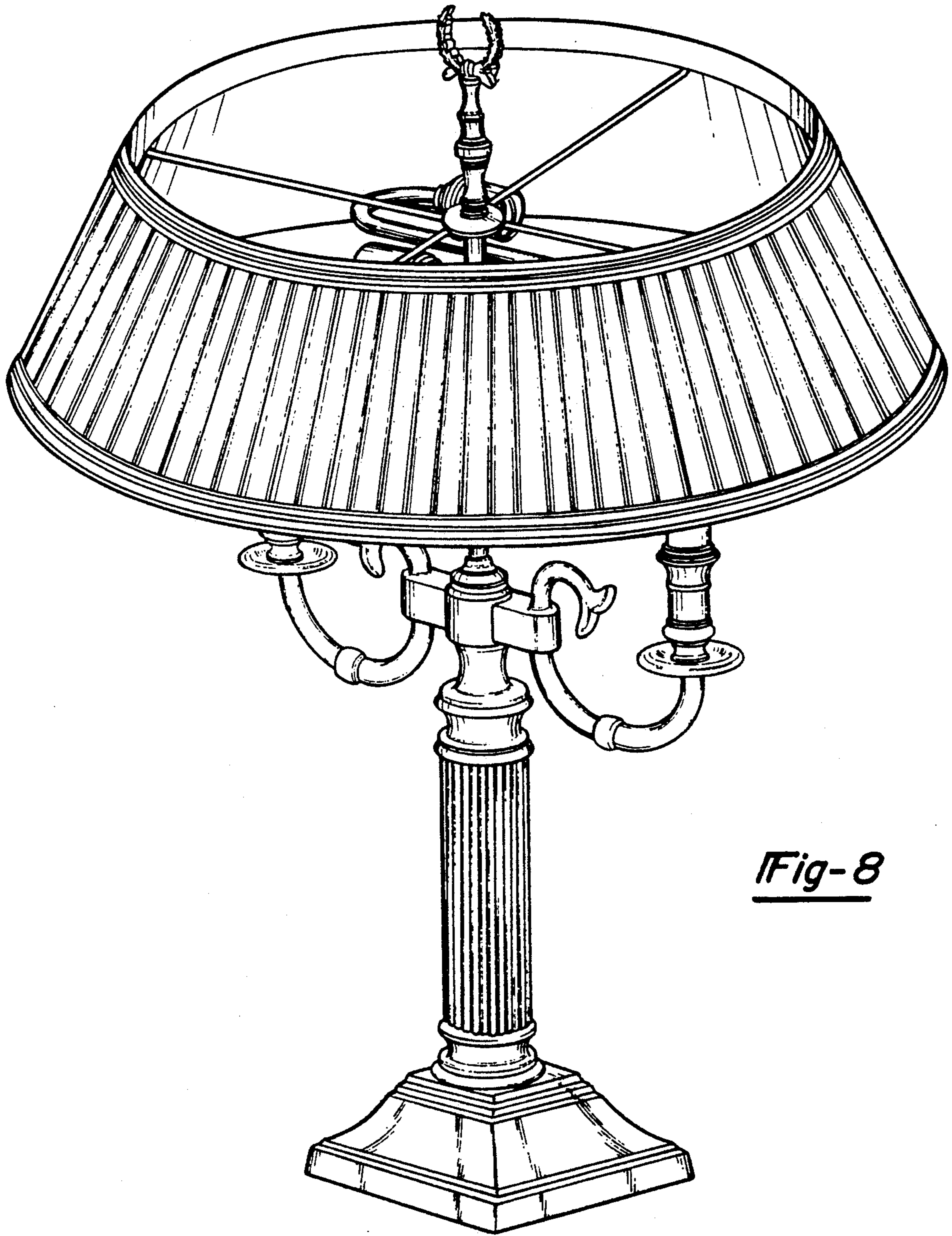


Fig-8