



US00D331631S

United States Patent [19]

Leith

[11] Patent Number: **Des. 331,631**

[45] Date of Patent: **** Dec. 8, 1992**

[54] CONNECTOR FOR A PORTABLE FLOOR

[76] Inventor: **William Leith**, Pier Road, Berwick upon Tweed TD15 1JB, United Kingdom

[**] Term: **14 Years**

[21] Appl. No.: **614,110**

[22] Filed: **Nov. 16, 1990**

[52] U.S. Cl. **D25/119**

[58] Field of Search **D25/119-121;**
52/645, 581, 665; 428/49, 52, 57, 99; 119/28, 16; D8/349, 382

[56] **References Cited**

U.S. PATENT DOCUMENTS

3,804,067 4/1974 Lehe et al. **D25/58**

4,440,818 4/1984 Buchan et al. 52/581
4,663,903 5/1987 Ellingson, Jr. 428/52
4,824,497 4/1989 Tilman 428/99
4,877,659 10/1989 Vince 428/99

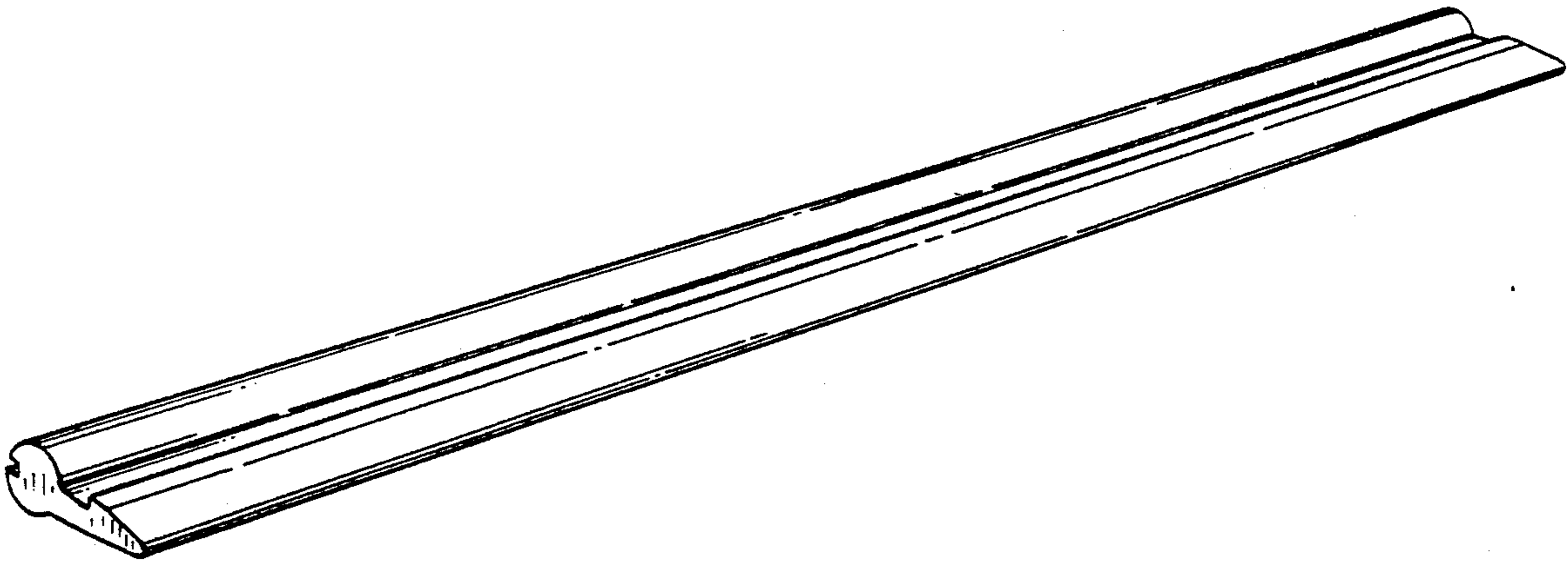
Primary Examiner—A. Hugo Word
Assistant Examiner—Doris Clark
Attorney, Agent, or Firm—Rodman & Rodman

[57] **CLAIM**

The ornamental design for a connector for a portable floor, as shown and described.

DESCRIPTION

FIG. 1 is a perspective view of a connector for a portable floor showing my new design;
FIG. 2 is an enlarged end elevational view thereof;
FIG. 3 is a top plan view thereof; and,
FIG. 4 is a rear elevational view thereof.



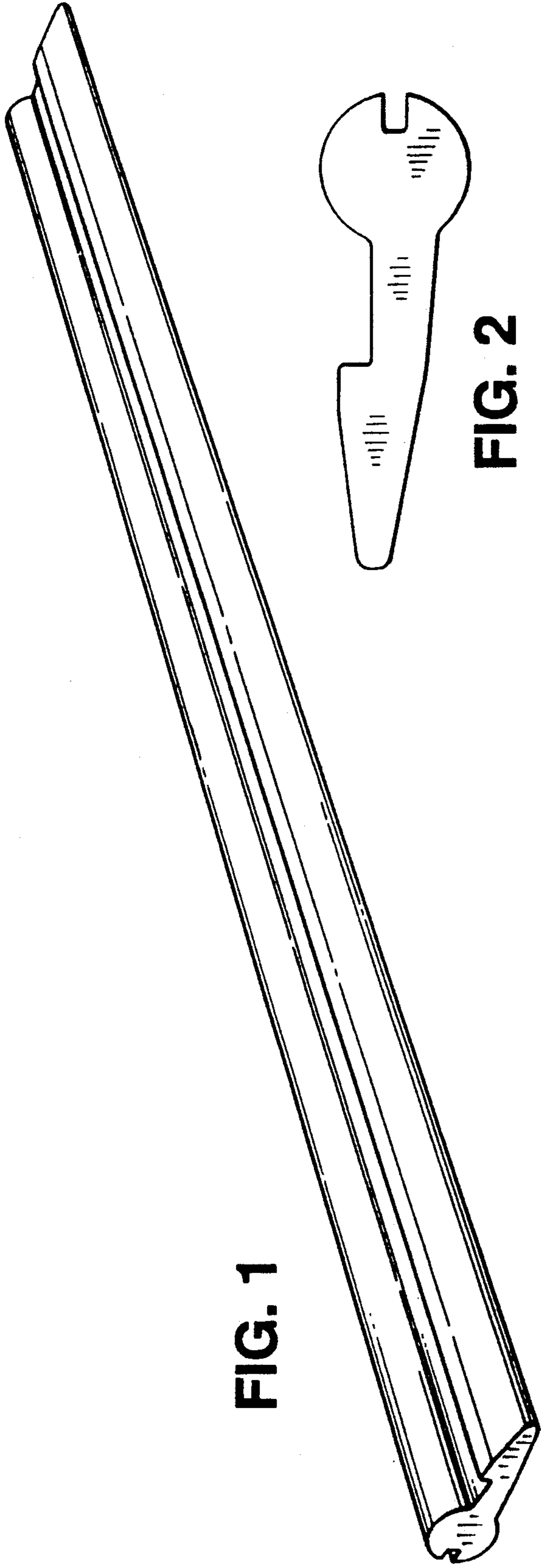


FIG. 1

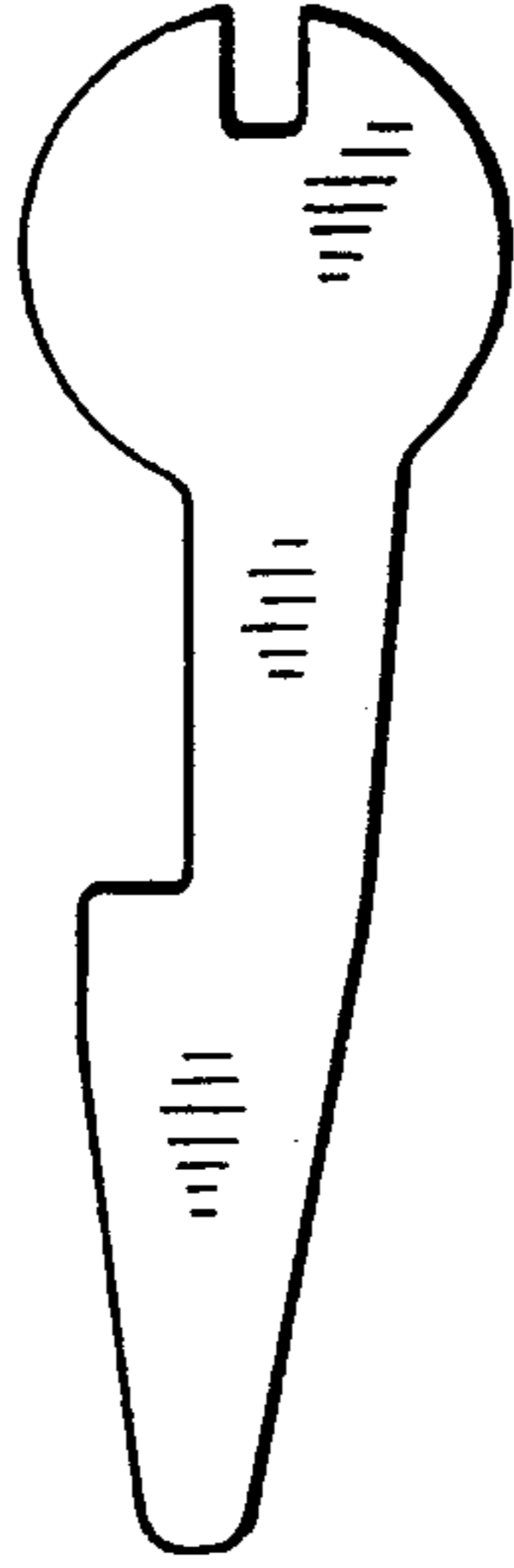


FIG. 2

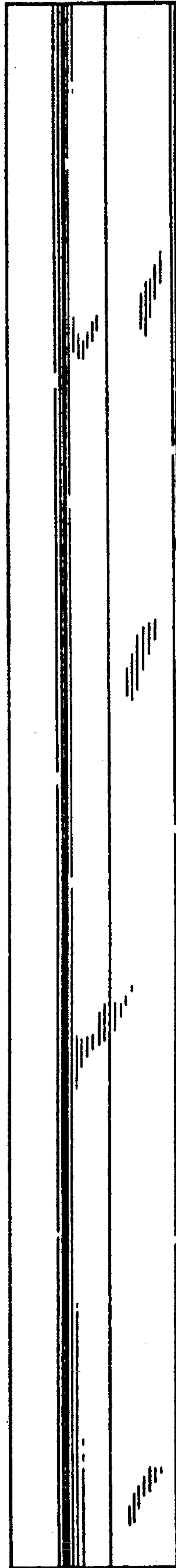


FIG. 3



FIG. 4