



US00D331623S

# United States Patent [19]

[11] Patent Number: **Des. 331,623**

Sauter et al.

[45] Date of Patent: **\*\* Dec. 8, 1992**

[54] TOP FOR A SINK

[75] Inventors: **Bruce M. Sauter, Schaumburg, Ill.;  
Raymond A. Dickson, Jr., Searcy,  
Ak.**

[73] Assignee: **Kohler Co., Kohler, Wis.**

[\*\*] Term: **14 Years**

[21] Appl. No.: **481,477**

[22] Filed: **Feb. 20, 1990**

[52] U.S. Cl. .... **D23/308**

[58] Field of Search ..... **D23/271-274,  
D23/284-294, 308; 4/619, 625-642, 652, 654,  
665**

[56] **References Cited**

### U.S. PATENT DOCUMENTS

D. 3,721	10/1869	Mott	.....	D23/308
D. 16,949	10/1886	Bunting, Jr.	.....	D23/308
D. 32,047	12/1899	Lloyd	.....	D23/308
D. 33,308	10/1900	Hornbostel	.....	D23/308
D. 135,024	2/1943	Anderson	.....	D23/287 X
D. 140,057	1/1945	Motter	.....	D23/286
D. 141,620	6/1945	Stanitz	.....	D23/271
D. 174,749	5/1955	Harris et al.	.....	D23/287
D. 181,609	12/1957	Rutter	.....	D23/287
D. 259,656	6/1981	Alfrink et al.	.....	D23/308
D. 317,498	6/1991	Reid	.....	D23/308
2,273,606	2/1942	Webber	.....	D23/287 X
2,421,808	6/1947	Robertson	.....	D23/287 X
2,769,181	11/1956	Miller	.....	D23/287 X
3,235,886	2/1966	Scharmer	.....	D23/287 X

### OTHER PUBLICATIONS

Page of an Abbaka brochure, distributed in 1986.  
Page of a Porcher ad, undated.  
P. 32 of an Elkay catalog, undated, showing the  
ILA-4322-LC sink.  
P. 26 of an Elkay catalog, undated, showing the LH-25-  
22-C sink.  
P. 29 of an Elkay catalog, undated, showing the  
BLR-15 sink.  
Undated Jacob Delafon article showing the "Palma"  
sink.  
Undated Jacob Delafon article showing the "Gourmet"  
sink.

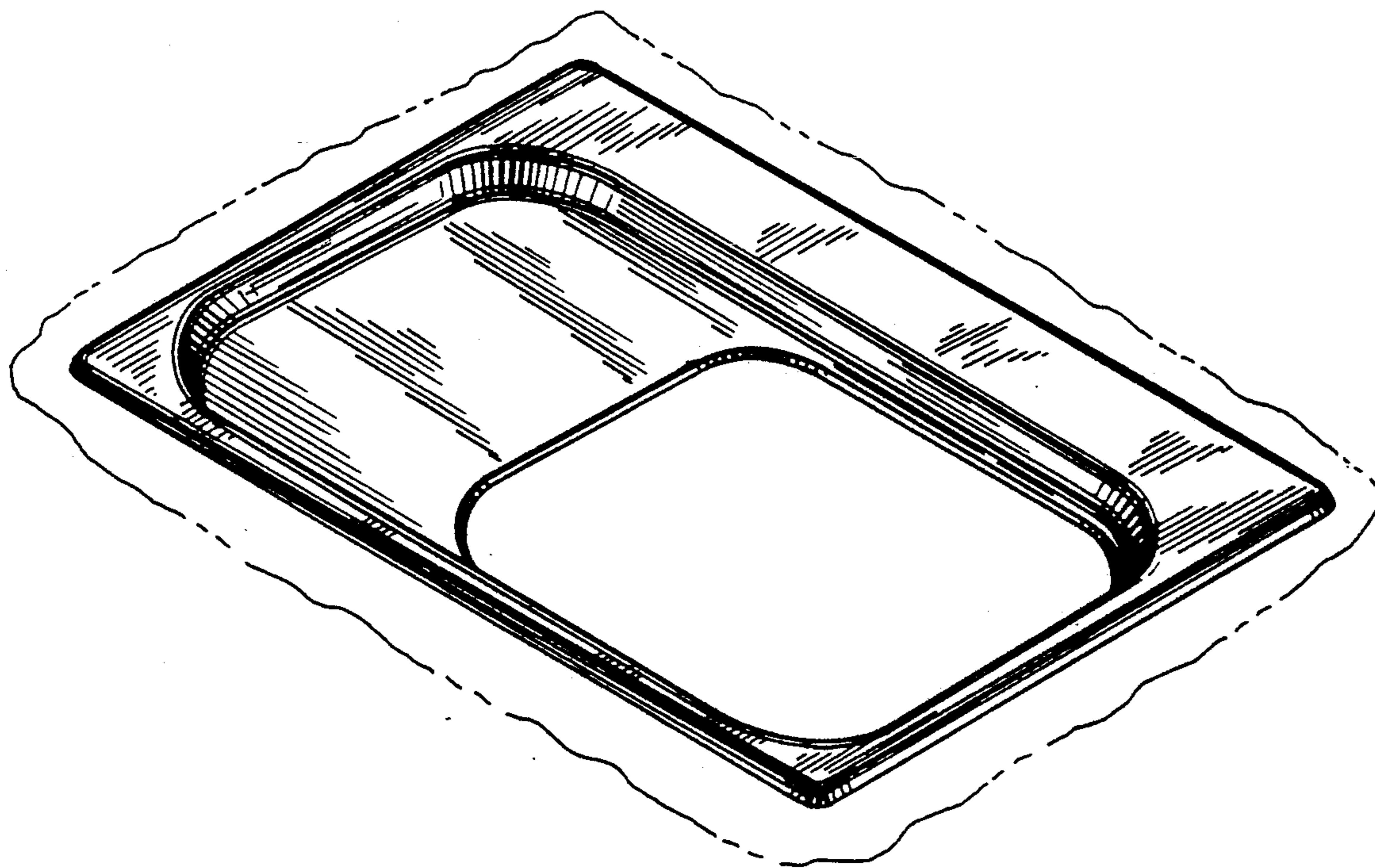
*Primary Examiner*—James R. Largen  
*Attorney, Agent, or Firm*—Quarles & Brady

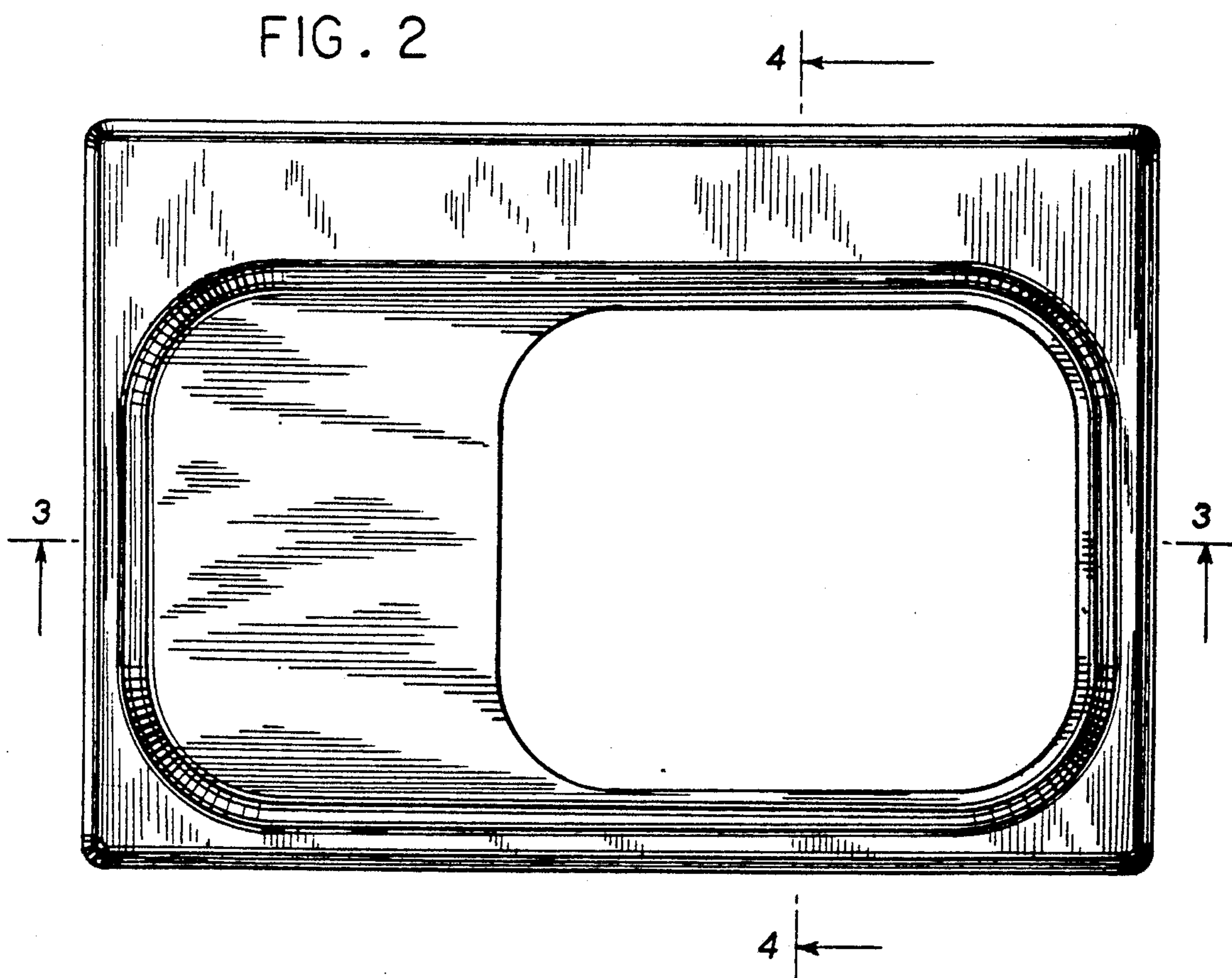
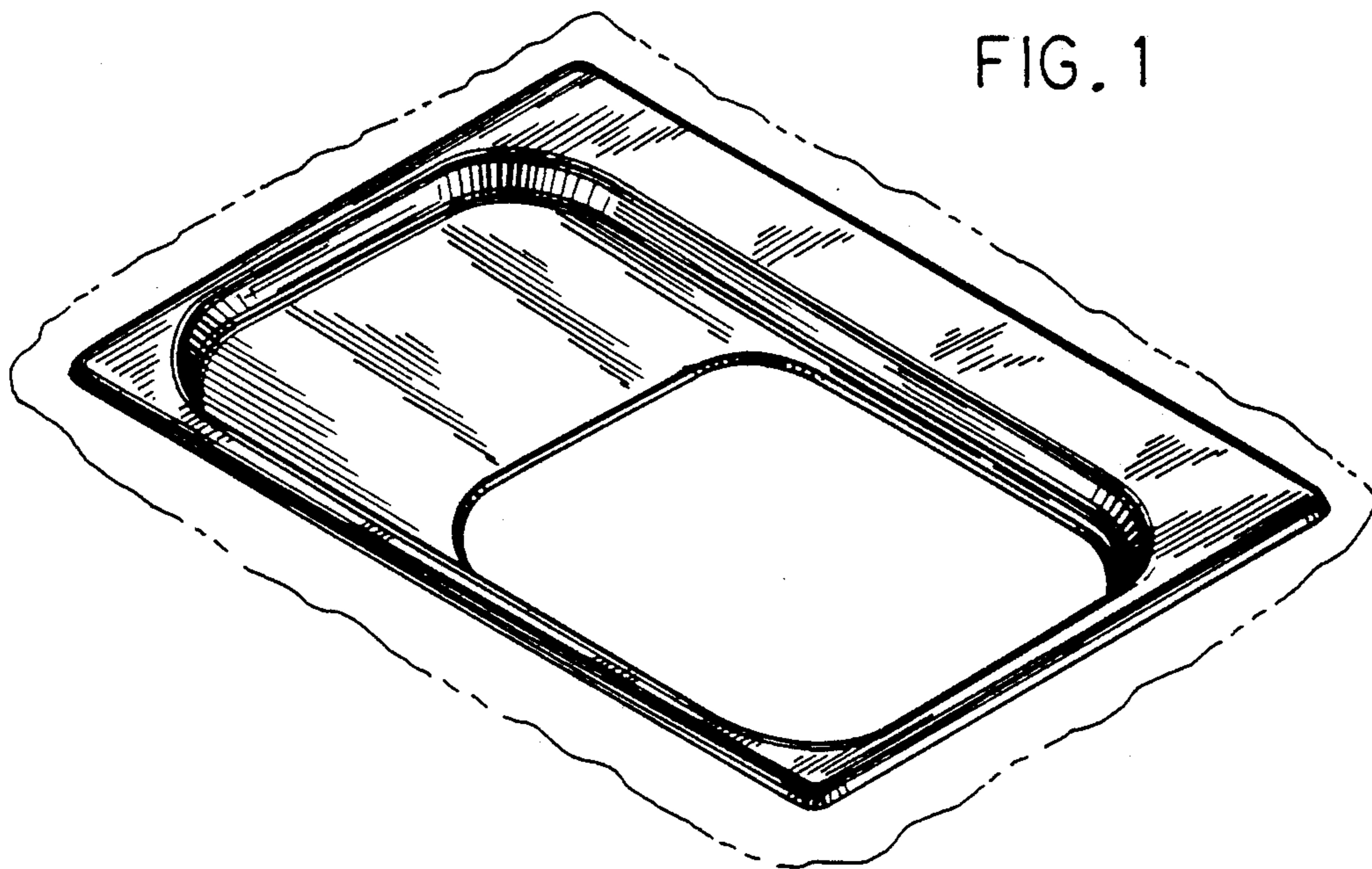
### [57] CLAIM

The ornamental design for a top for a sink, as shown and described.

### DESCRIPTION

FIG. 1 is a perspective view taken from the top, front and right side of a top for a sink showing our new design;  
FIG. 2 is a top plan view thereof;  
FIG. 3 is a cross-sectional view taken on line 3—3 of FIG. 2; and,  
FIG. 4 is a cross-sectional view taken on line 4—4 of FIG. 2.  
The fragmentary broken line representation of a sink basin in FIGS. 3 and 4, and of a countertop in FIG. 1, are for the purpose of illustration only and form no part of the claimed design.





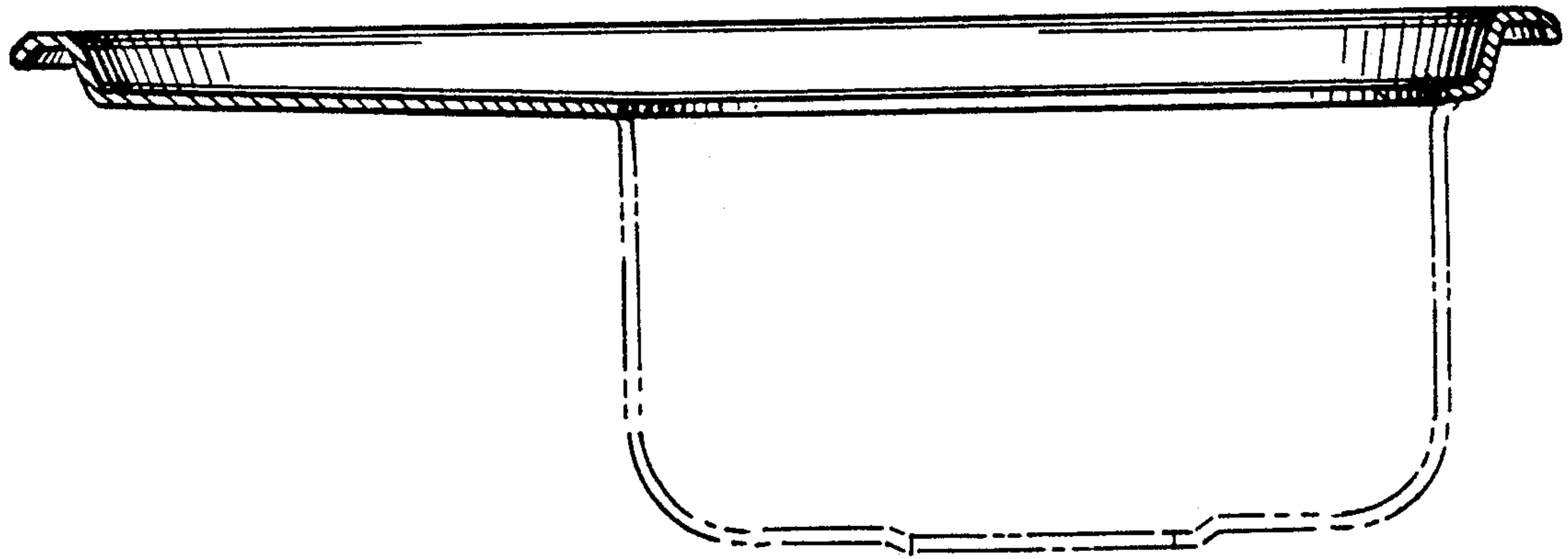


FIG. 3

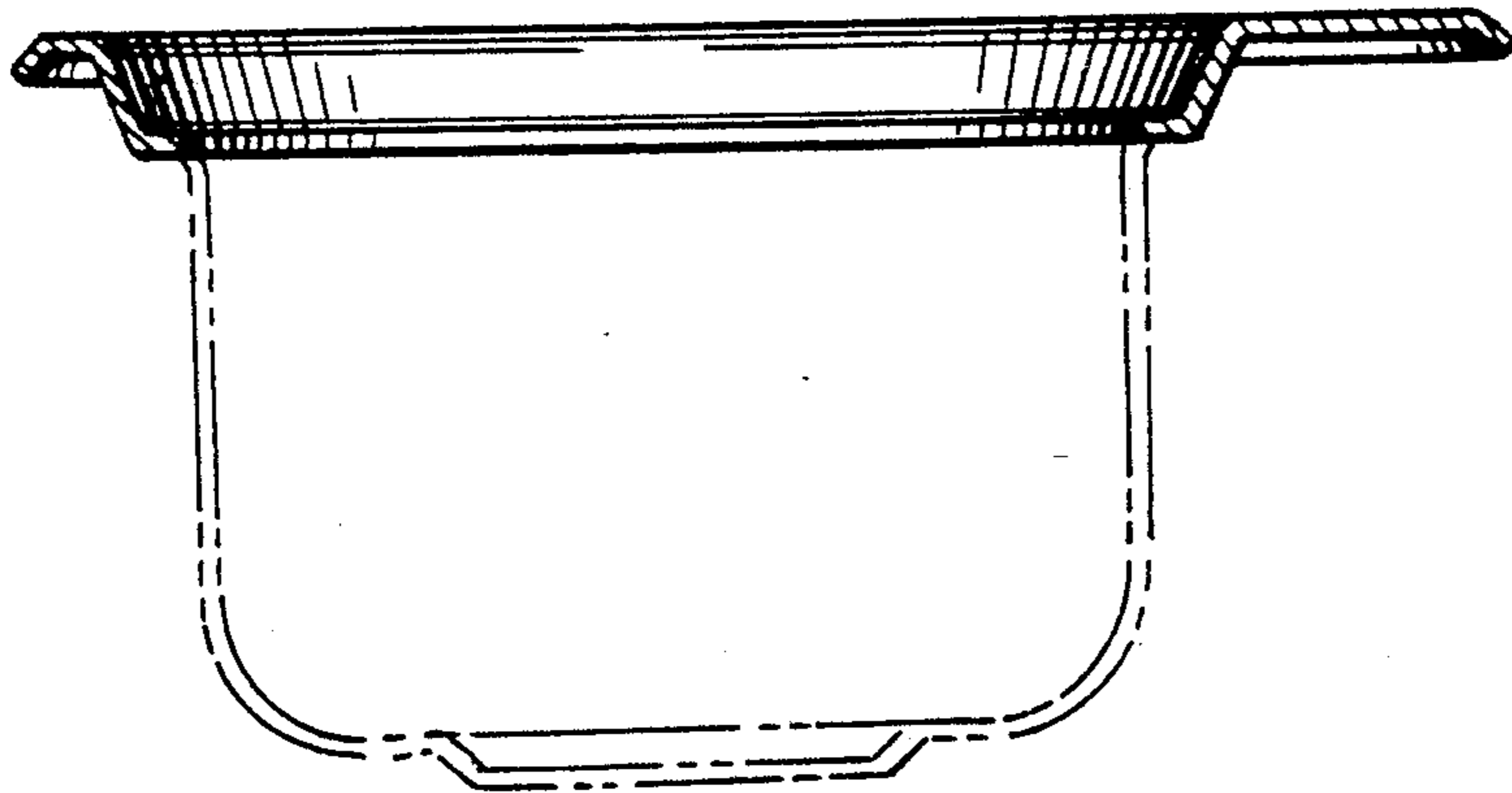


FIG. 4