



US00D331622S

# United States Patent [19] Dannenberg

[11] Patent Number: **Des. 331,622**

[45] Date of Patent: **\*\* Dec. 8, 1992**

[54] **COMBINED BATHTUB AND APRON**

[75] Inventor: **Todd D. Dannenberg, Sheboygan, Wis.**

[73] Assignee: **Kohler Co., Kohler, Wis.**

[\*\*] Term: **14 Years**

[21] Appl. No.: **880,971**

[22] Filed: **May 6, 1992**

2,841,795	7/1958	Pelicana	4/592
2,982,972	5/1961	Bowden	4/584
3,028,603	4/1962	Rodman	4/584 X
4,868,934	9/1989	Altman	4/538 X

### OTHER PUBLICATIONS

Metaliberica, S. A. advertisement for the "Nueva Europa" spa, undated.

A 1989 Pearl advertisement for the "Classic V" tub.

P. 33 of a Jacob Delafon catalog, undated, showing the "Naema", Lyria, and Eureka tubs.

Jacob Delafon advertisement showing the "Hydra" tub, undated.

Title page, p. 11, and an enlargement of the center left tub on p. 11 from a "Housing Equipment" catalog by Toto Ltd. (possibly dated Jan., 1989).

*Primary Examiner*—James R. Largen

*Attorney, Agent, or Firm*—Quarles & Brady

### Related U.S. Application Data

[62] Division of Ser. No. 466,573, Jan. 17, 1990, Pat. No. Des. 329,084.

[52] U.S. Cl. .... **D23/277**

[58] Field of Search ..... **D23/275-283, D23/303-307; 4/538, 584, 592-595**

### [56] References Cited

#### U.S. PATENT DOCUMENTS

- |            |         |                      |           |
|------------|---------|----------------------|-----------|
| D. 102,370 | 12/1936 | Kohler et al.        | D23/277   |
| D. 143,768 | 2/1946  | Stanitz              | D23/281   |
| D. 144,428 | 4/1946  | Stanitz              | D23/281   |
| D. 144,429 | 4/1946  | Stanitz              | D23/281   |
| D. 148,393 | 1/1948  | Schladermundt et al. | D23/281   |
| D. 148,643 | 2/1948  | Rodman               | D23/281   |
| D. 156,564 | 12/1949 | Sawyer               | D23/281   |
| D. 167,575 | 8/1952  | Koppel               | D23/281   |
| D. 177,076 | 3/1956  | Stanitz et al.       | D23/281   |
| D. 253,008 | 9/1979  | Guigues              | D23/281   |
| D. 253,124 | 10/1979 | Primault             | D23/277   |
| D. 275,597 | 9/1984  | Lax                  | D23/280 X |
| D. 276,456 | 11/1984 | Primault             | D23/281   |
| D. 295,781 | 5/1988  | Hubel                | D23/281   |
| D. 314,611 | 2/1991  | Doman et al.         | D23/281   |
| D. 314,817 | 2/1991  | Lenahan              | D23/281   |
| 1,849,346  | 3/1932  | Cromwell             | 4/595     |
| 2,534,147  | 12/1950 | Rodman               | 4/592     |

### [57] CLAIM

The ornamental design for a combined bathtub and apron, as shown and described.

### DESCRIPTION

FIG. 1 is a perspective view taken from the top, front and right side of a combined bathtub and apron showing my new design;

FIG. 2 is a front elevational view thereof;

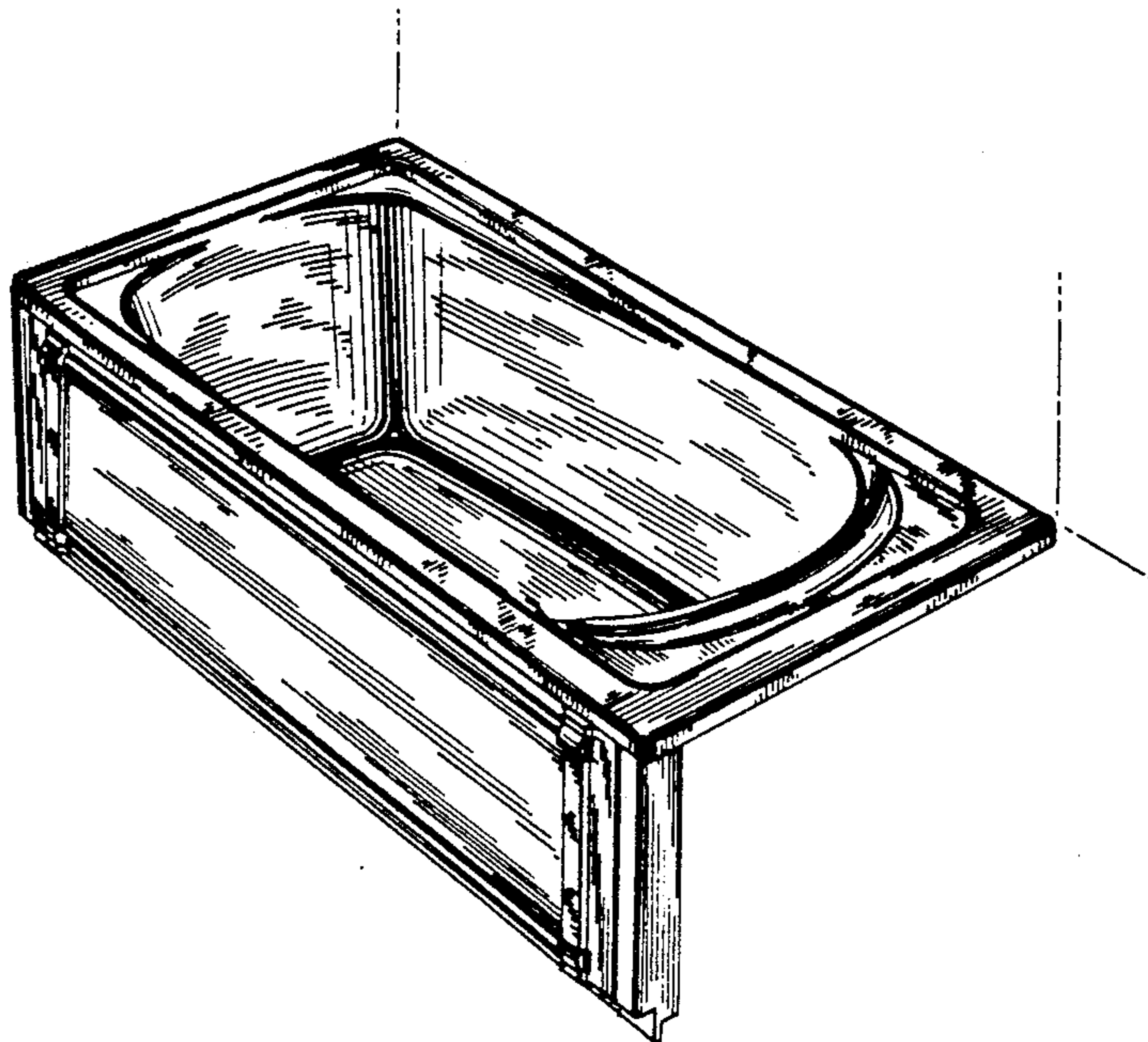
FIG. 3 is a top plan view thereof;

FIG. 4 is a cross-sectional view taken on line 4—4 of FIG. 3;

FIG. 5 is a cross-sectional view taken on line 5—5 of FIG. 3; and,

FIG. 6 is a cross-sectional view taken on line 6—6 of FIG. 3.

The fragmentary broken line representation of a bathroom wall in FIG. 1 is for purpose of illustration only and forms no part of the claimed design.



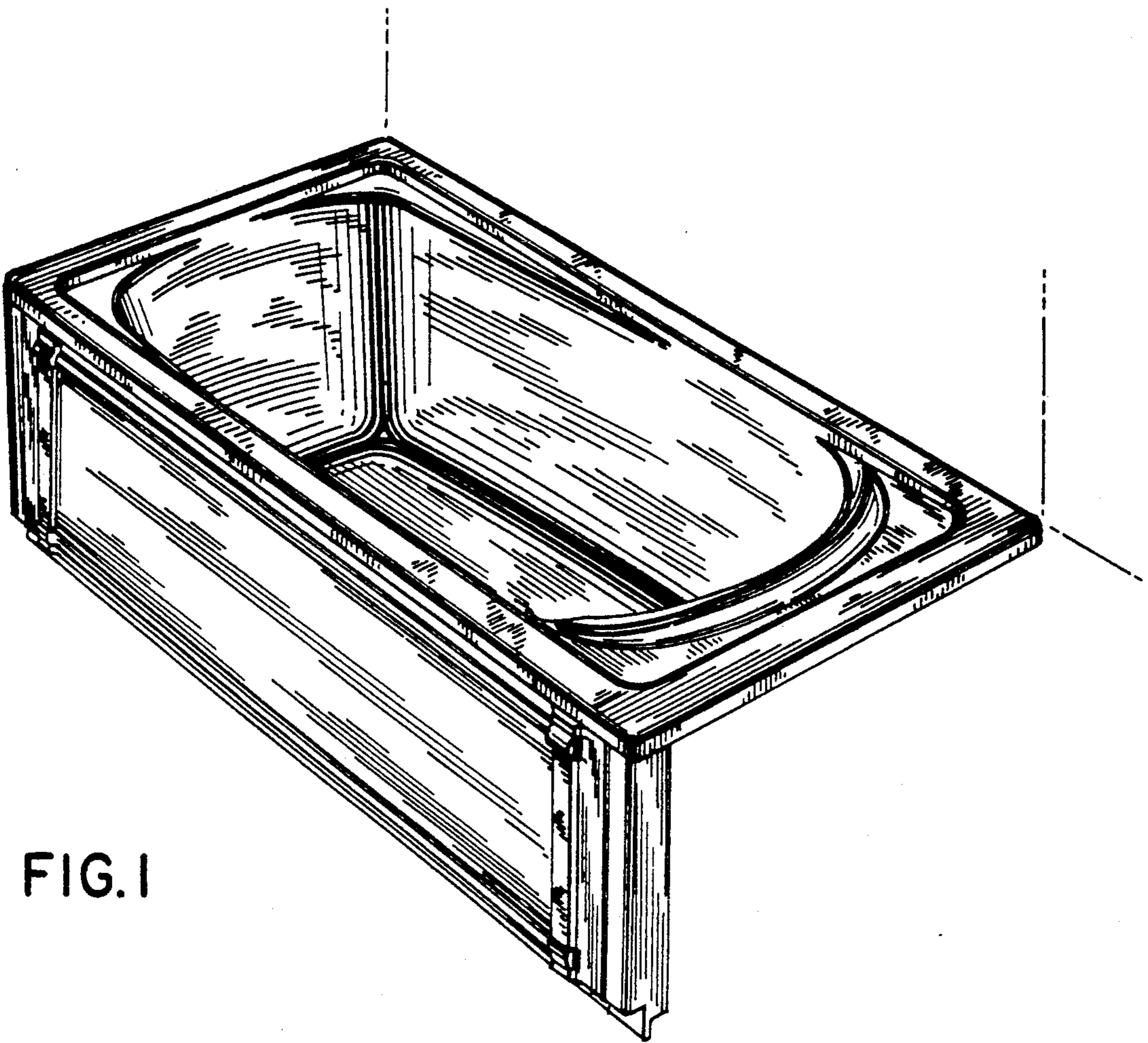


FIG. 1

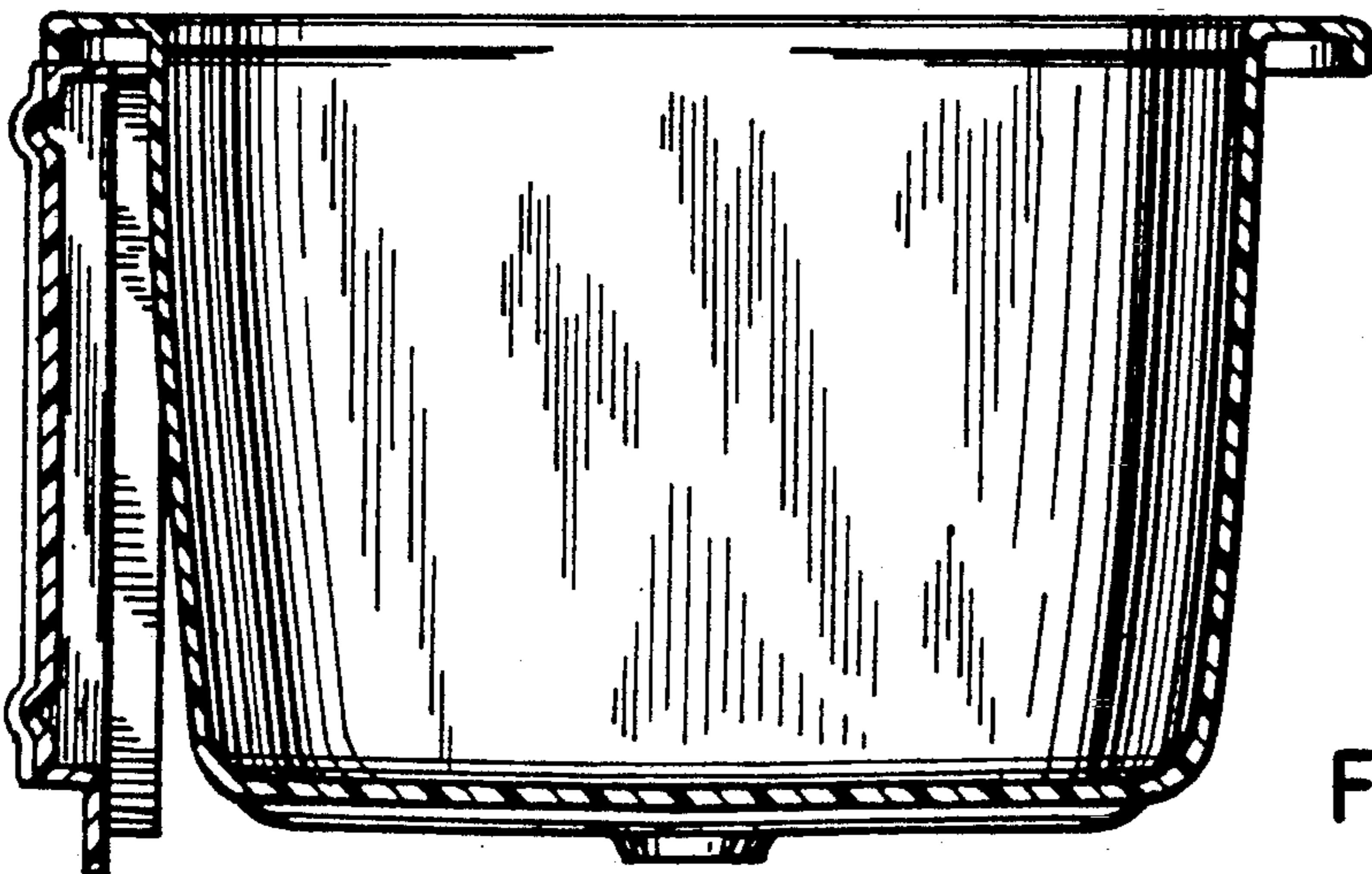


FIG. 5

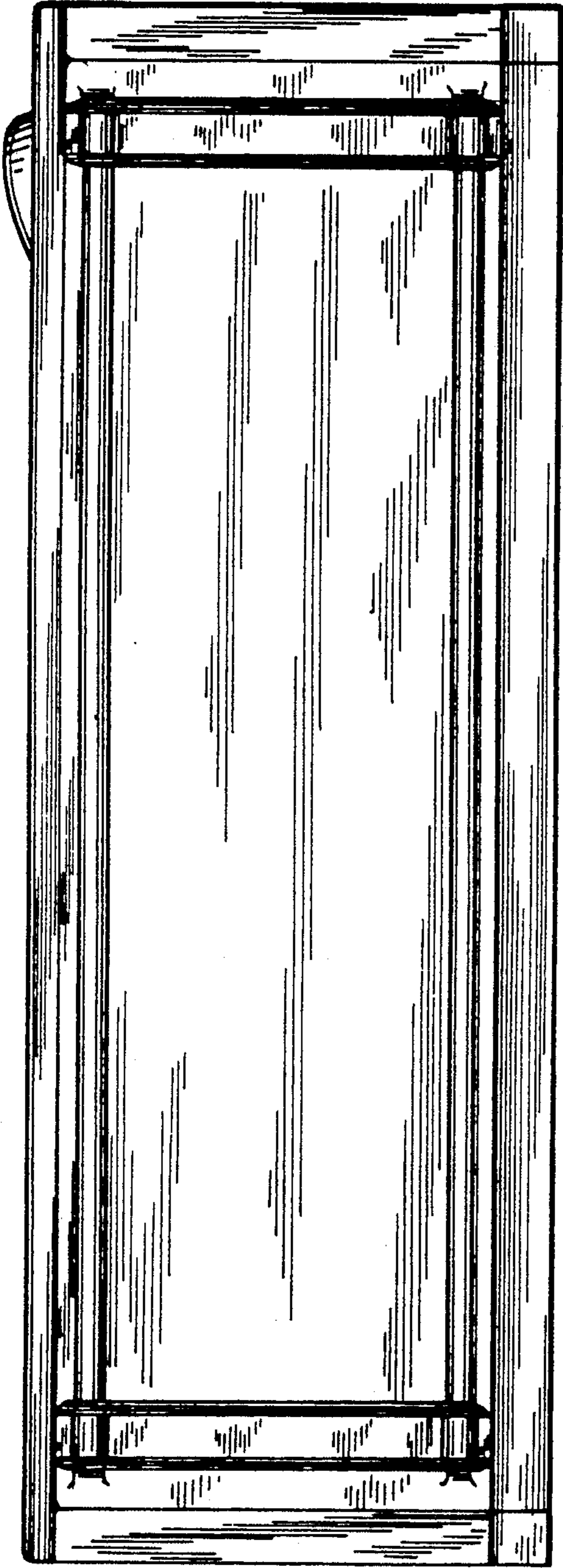


FIG. 2

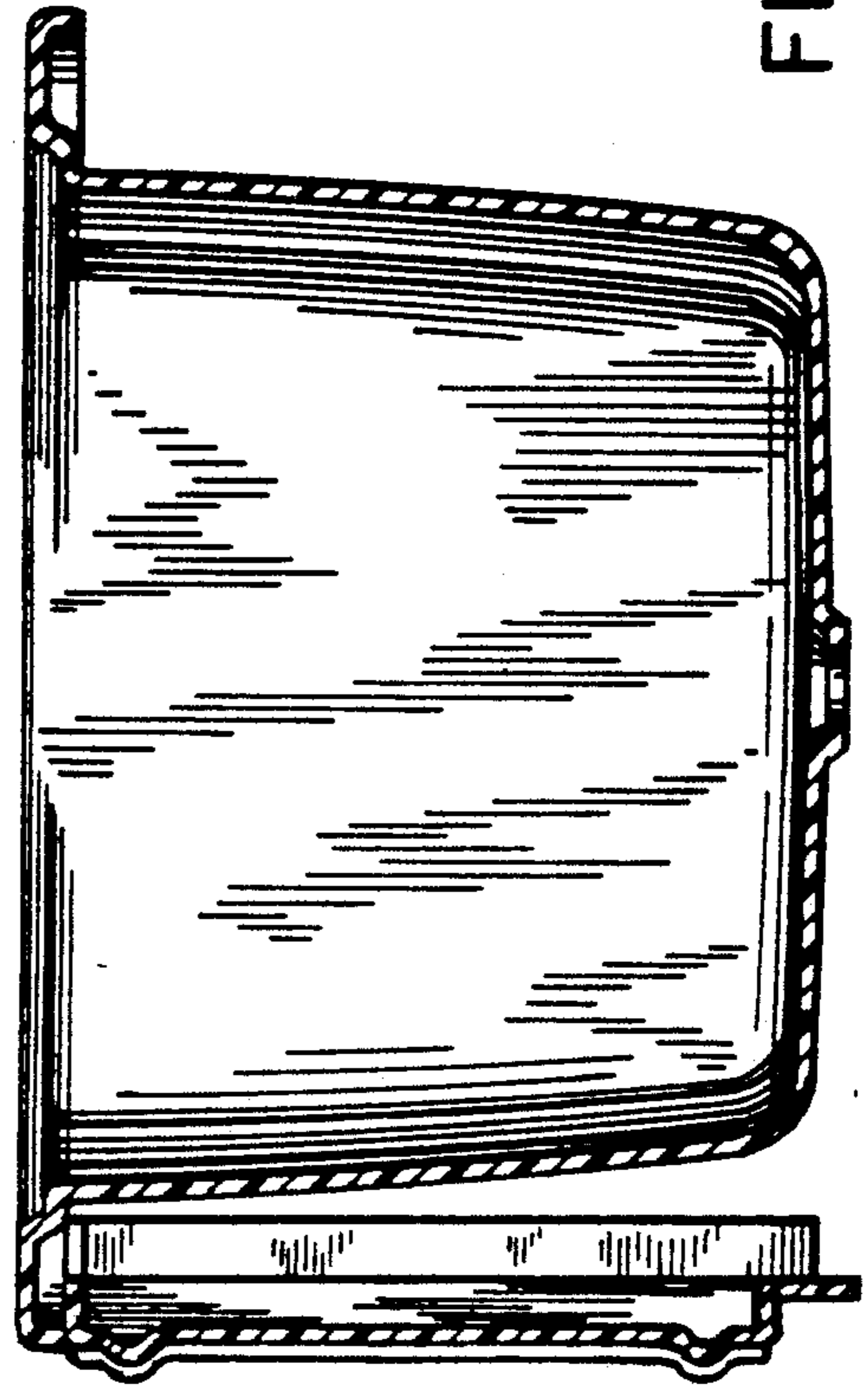


FIG. 4

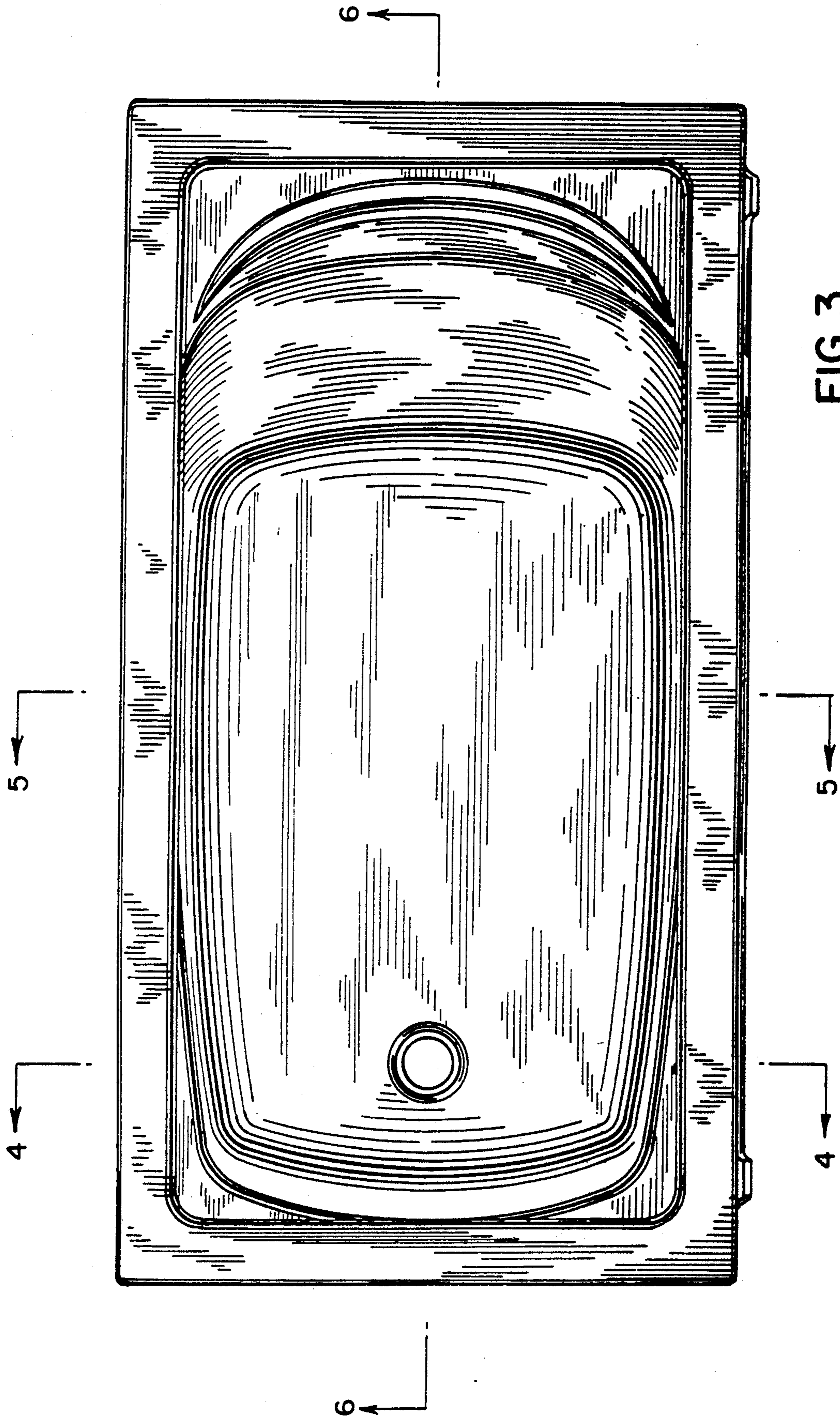


FIG. 3

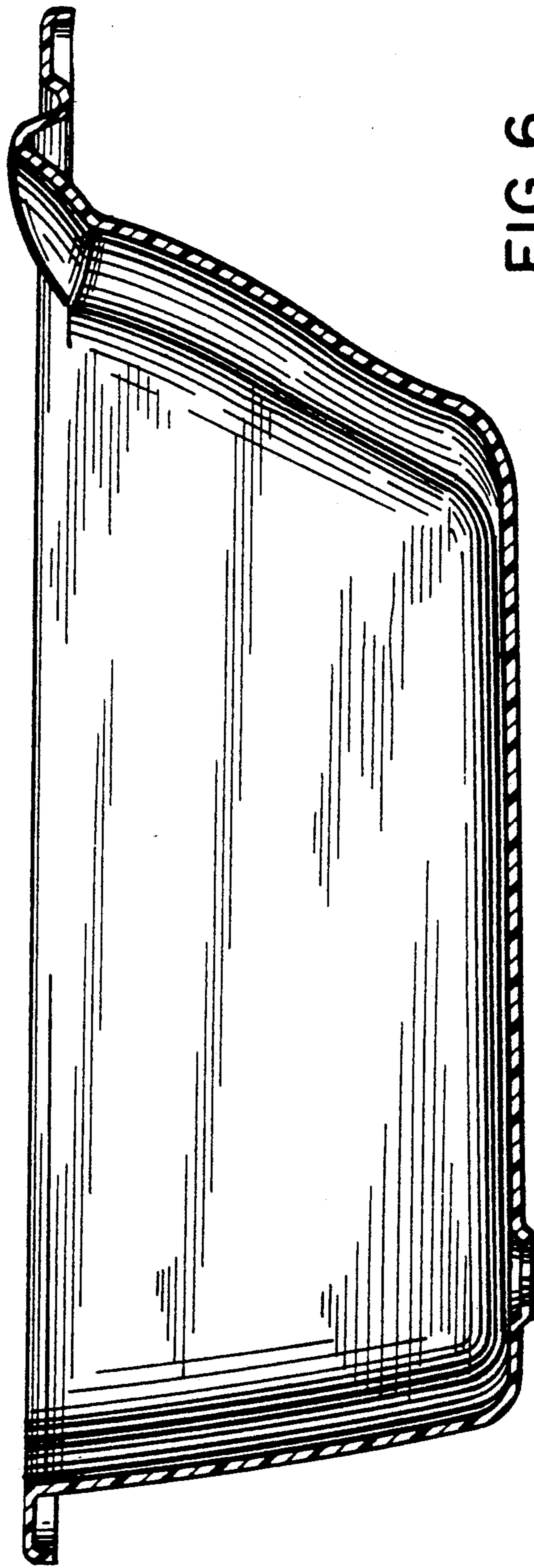


FIG. 6