



US00D331612S

United States Patent [19]

Woodard, Jr.

[11] Patent Number: **Des. 331,612**

[45] Date of Patent: **** Dec. 8, 1992**

[54] **WATER SLED**

[76] Inventor: **Clarence W. Woodard, Jr., Rte. 2,
Box 688-4 Doss Hollow Rd. P.O.
Box 527, Dayton, Tenn. 37321**

[**] Term: **14 Years**

[21] Appl. No.: **683,677**

[22] Filed: **Apr. 11, 1991**

[52] U.S. Cl. **D21/228; D21/236**

[58] Field of Search **D21/228, 236; D12/316;
280/18, 608; 441/65**

[56] **References Cited**

U.S. PATENT DOCUMENTS

- D. 196,947 11/1963 Churchman D21/228
- D. 220,788 5/1971 Piazza D21/228

- D. 232,963 9/1974 Turner D21/228
- 4,524,984 6/1985 Axelson 280/18

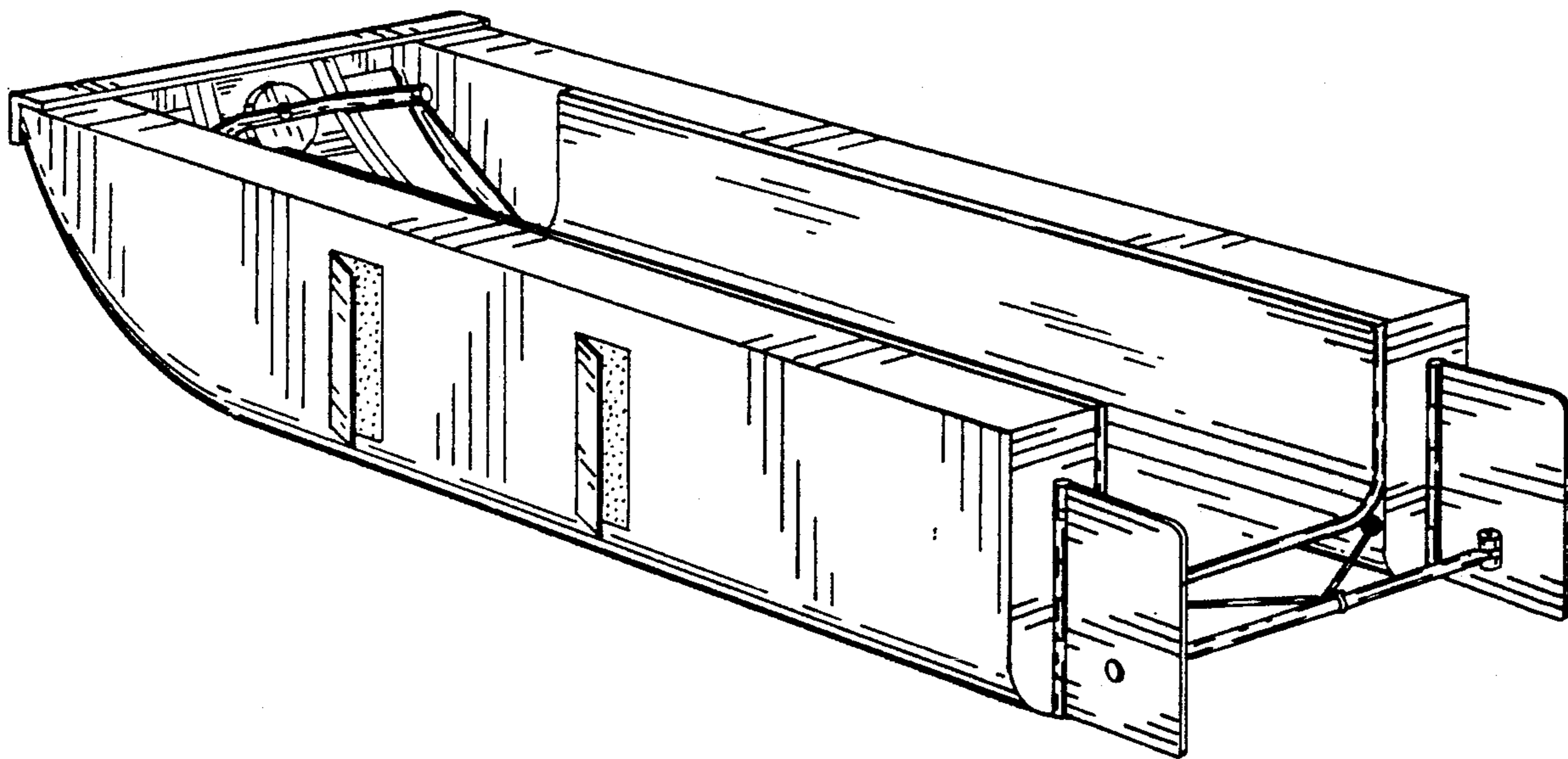
Primary Examiner—Kay H. Chin
Attorney, Agent, or Firm—Pitts and Brittan

[57] **CLAIM**

The ornamental design for a water sled, as shown and described.

DESCRIPTION

FIG. 1 is a top side and rear perspective view of a water sled showing my new design;
 FIG. 2 is a top plan view thereof;
 FIG. 3 is a bottom plan view thereof;
 FIG. 4 is a left side elevational view thereof, the right side elevational view being a mirror image thereof;
 FIG. 5 is a front elevational view thereof; and,
 FIG. 6 is a rear elevational view thereof.



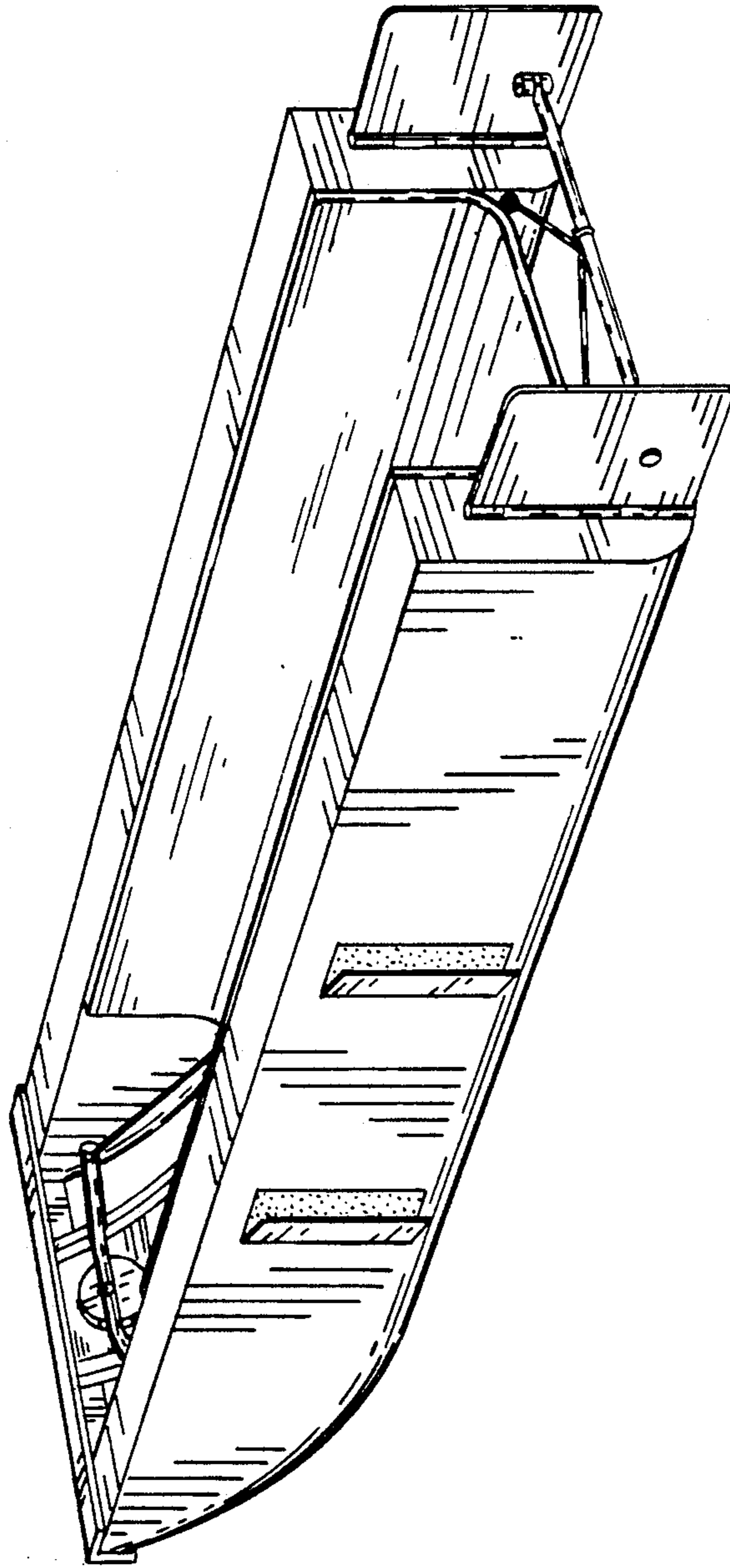


FIG. 1

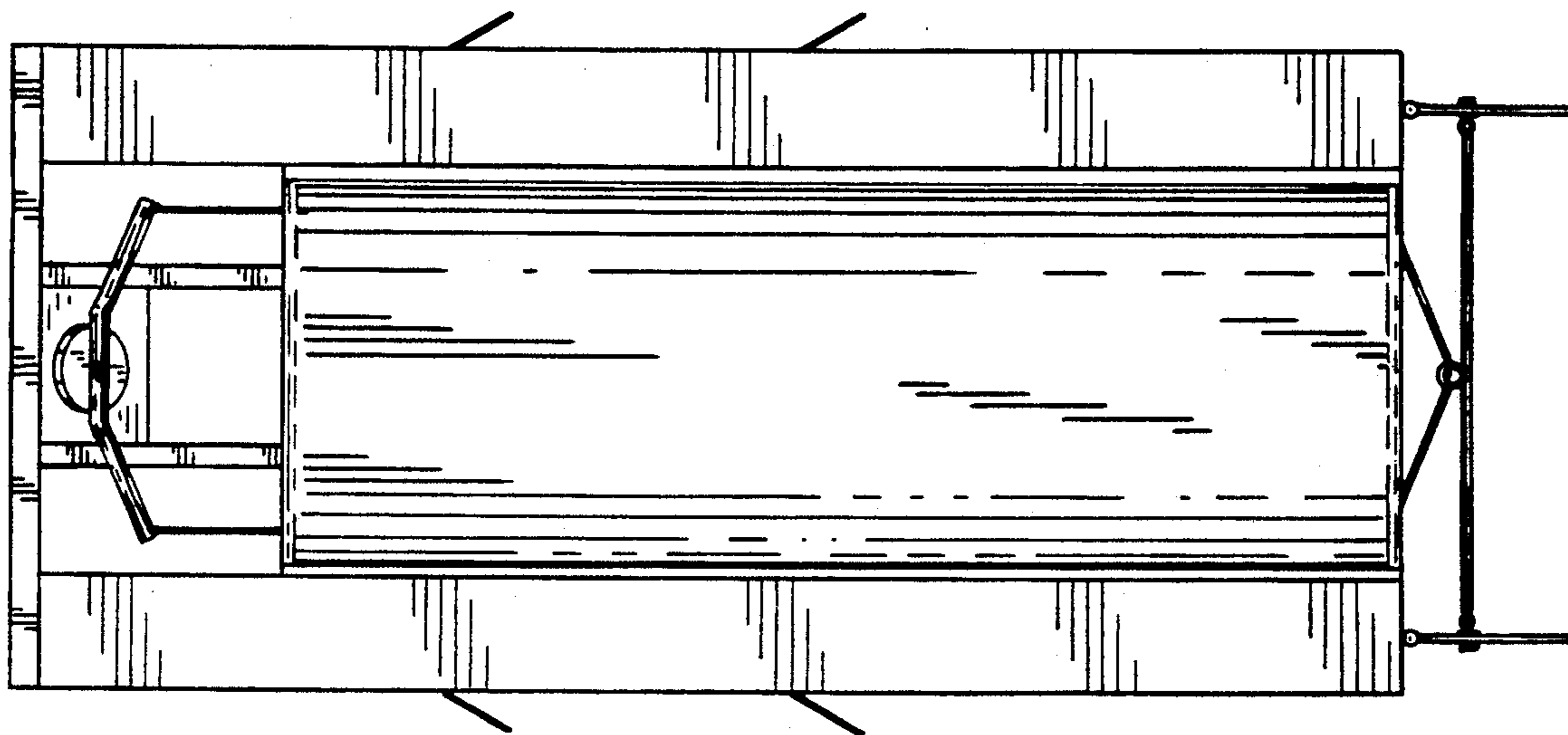


FIG. 2

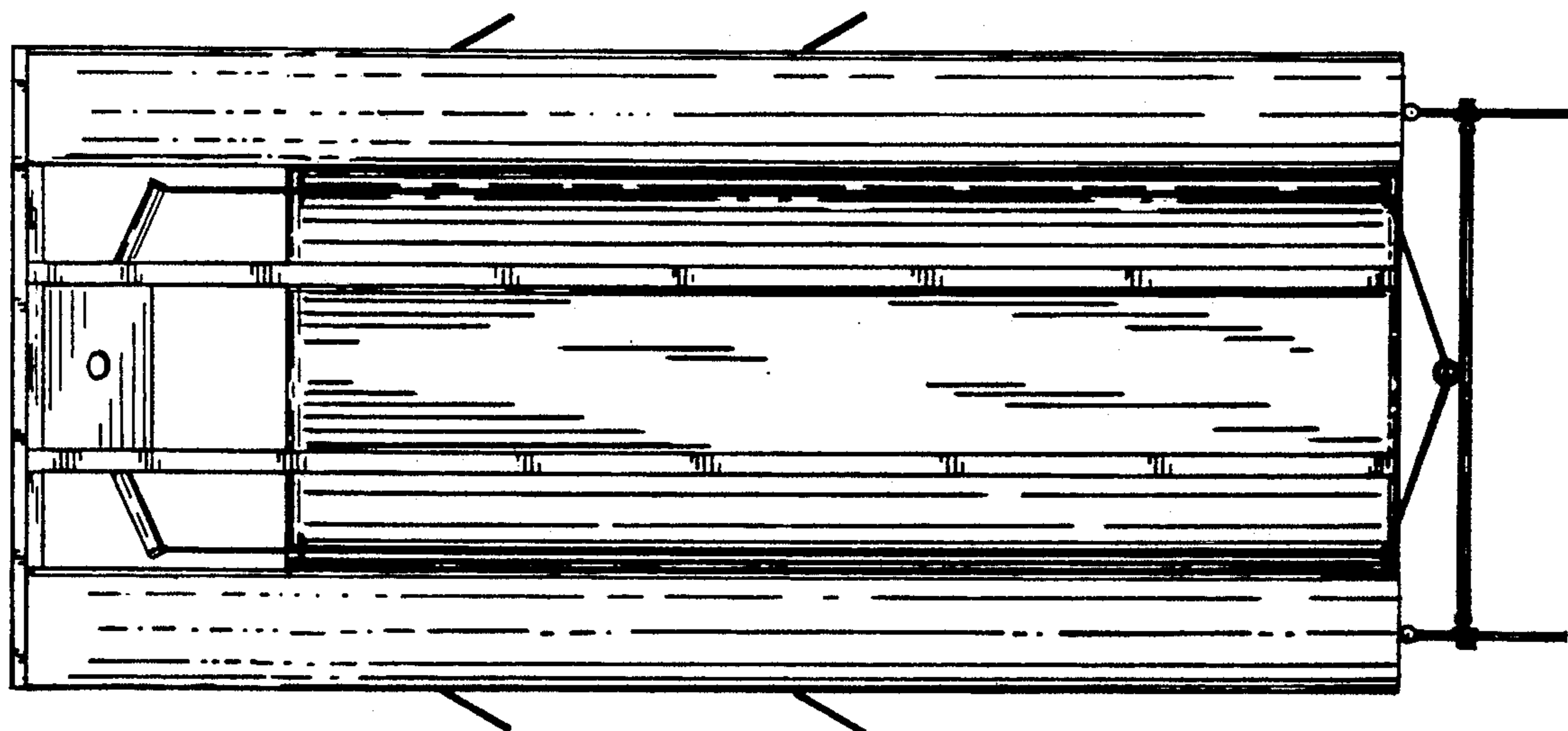


FIG. 3

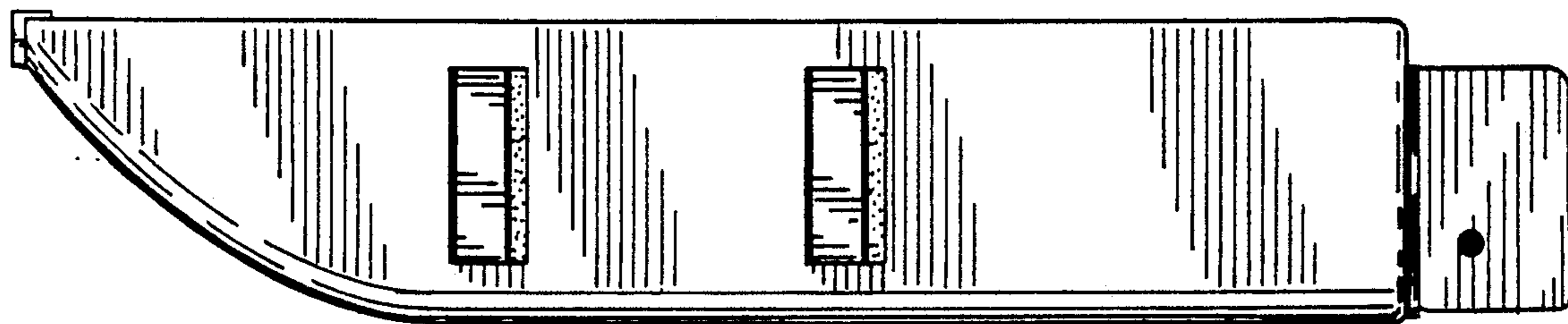


FIG. 4

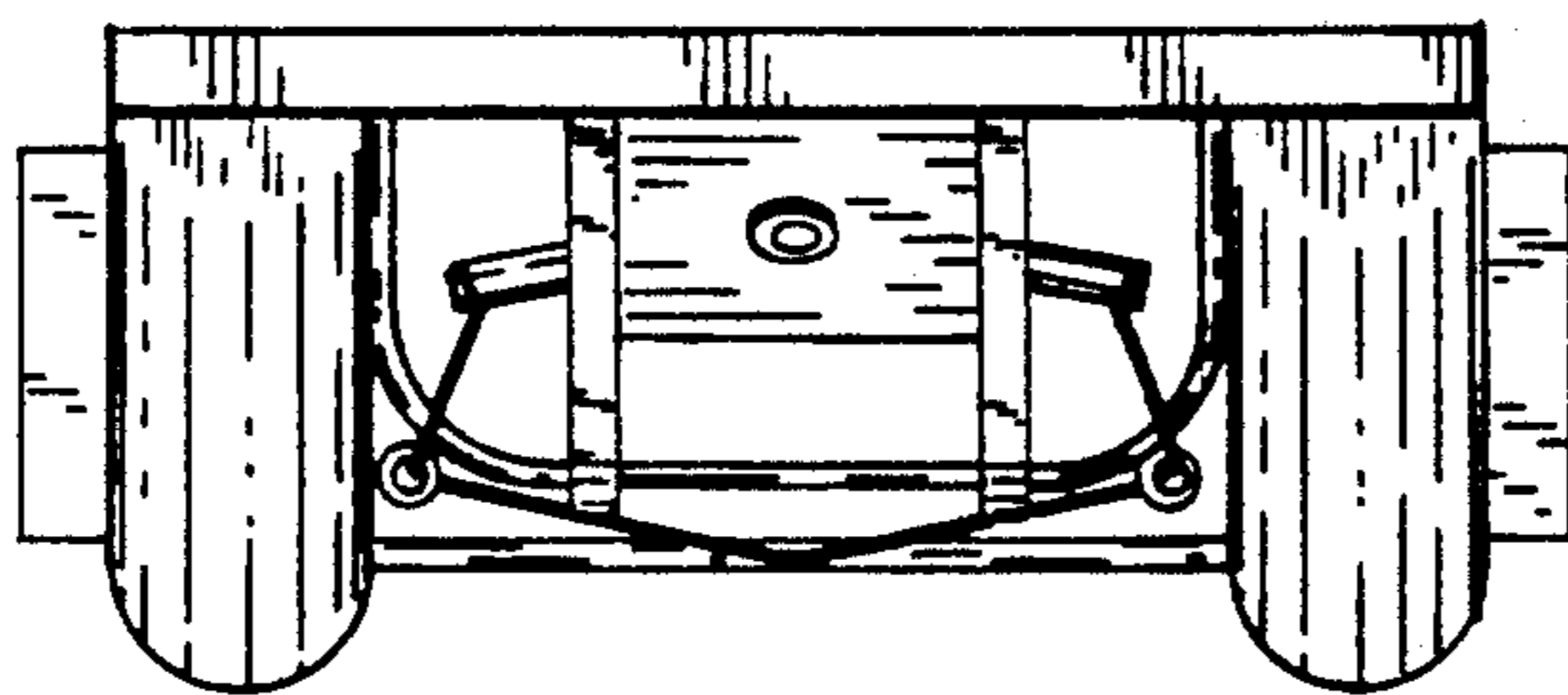


FIG. 5

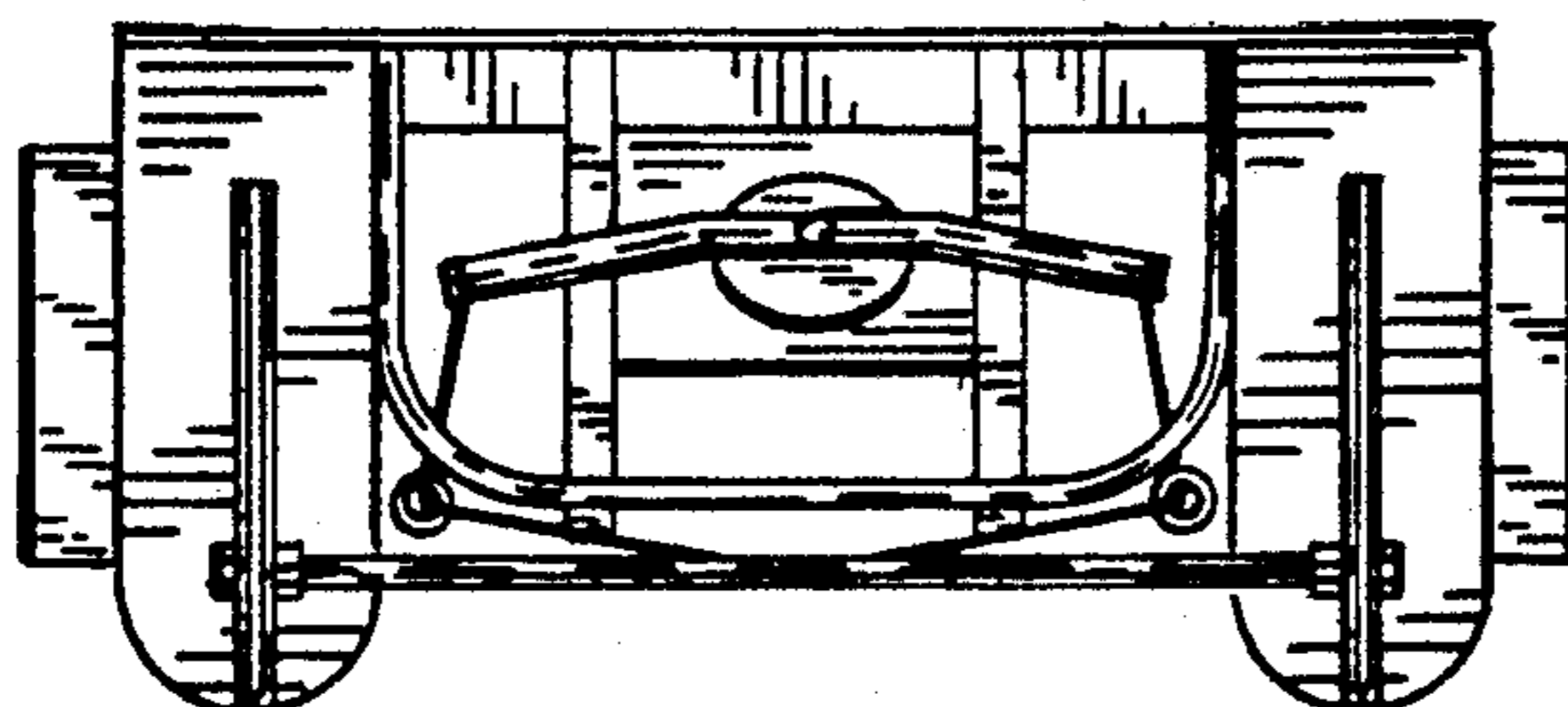


FIG. 6