



US00D331609S

United States Patent [19]

LaFata

[11] Patent Number: **Des. 331,609**

[45] Date of Patent: **** Dec. 8, 1992**

[54] **COMBINED BUBBLE MAKER AND WATER SHOOTER**

4,044,496	8/1977	Jernstrom	446/16
4,248,436	2/1981	Corrigan	446/15 X
5,042,819	8/1991	LaFata	273/349

[76] Inventor: **John E. LaFata**, 2129 Ocean Dr., Oxnard, Calif. 93035

[**] Term: **14 Years**

Primary Examiner—Bernard Ansher
Assistant Examiner—Dominic Simone
Attorney, Agent, or Firm—J. Robert Cassidy

[21] Appl. No.: **580,496**

[57] **CLAIM**

[22] Filed: **Sep. 10, 1990**

The ornamental design for a combined bubble maker and water shooter, as shown and described.

[52] U.S. Cl. **D21/61**

[58] Field of Search **D21/61, 145-147;**
D23/213, 215; 273/349; 222/79

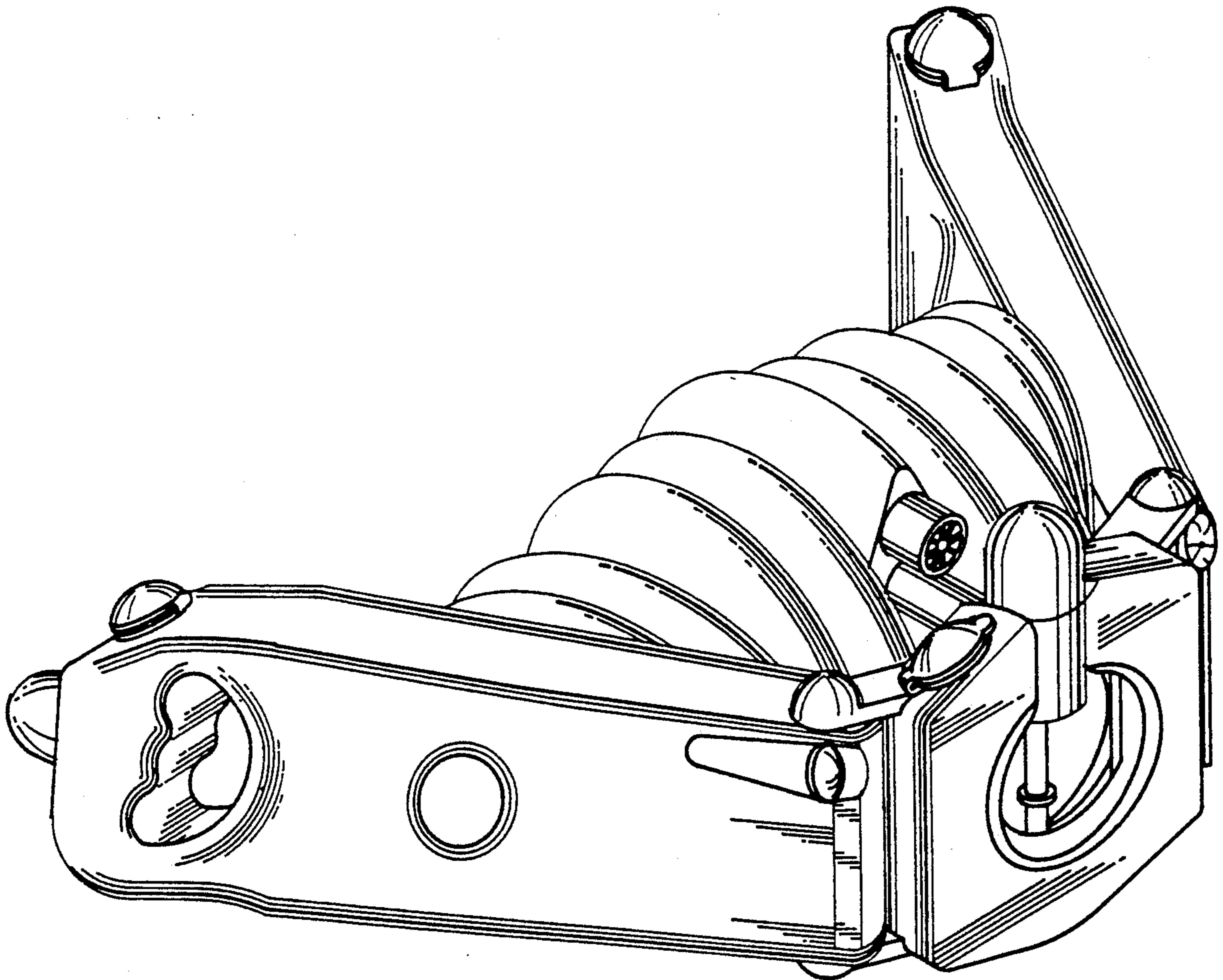
DESCRIPTION

[56] **References Cited**

U.S. PATENT DOCUMENTS

D. 198,857	8/1964	Rabin	D21/61
D. 273,880	5/1984	Bart	D21/61
D. 309,759	8/1990	Mak	D21/61
3,925,923	12/1975	LaFata et al.	446/18

FIG. 1 is an isometric view of a combined bubble maker and water shooter showing my new design; FIG. 2 is a top plan view thereof; FIG. 3 is a bottom plan view thereof; FIG. 4 is a rear elevational view thereof; FIG. 5 is a front elevational view thereof; FIG. 6 is a left side elevational view thereof; and, FIG. 7 is a right side elevational view thereof.



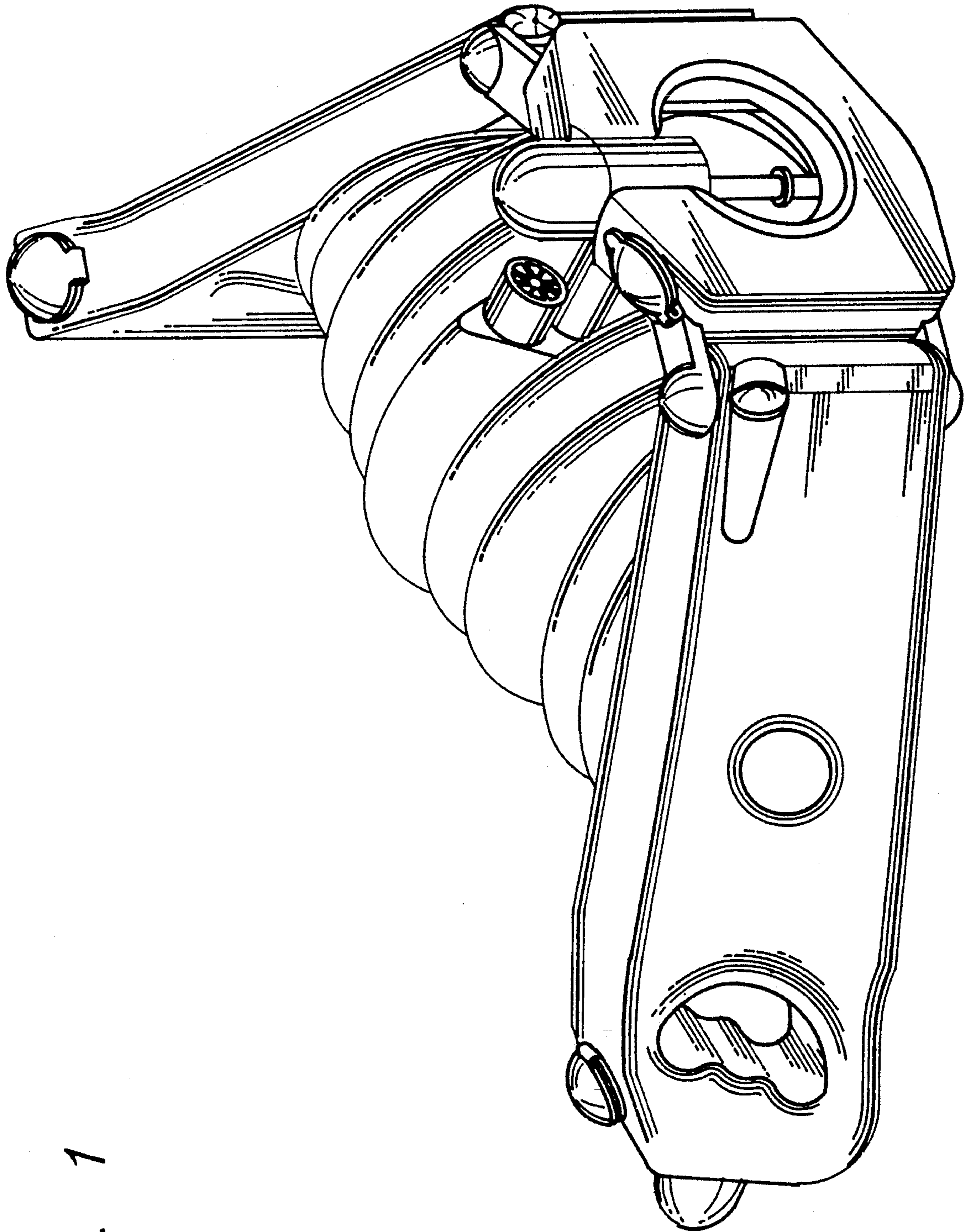


Fig. 1

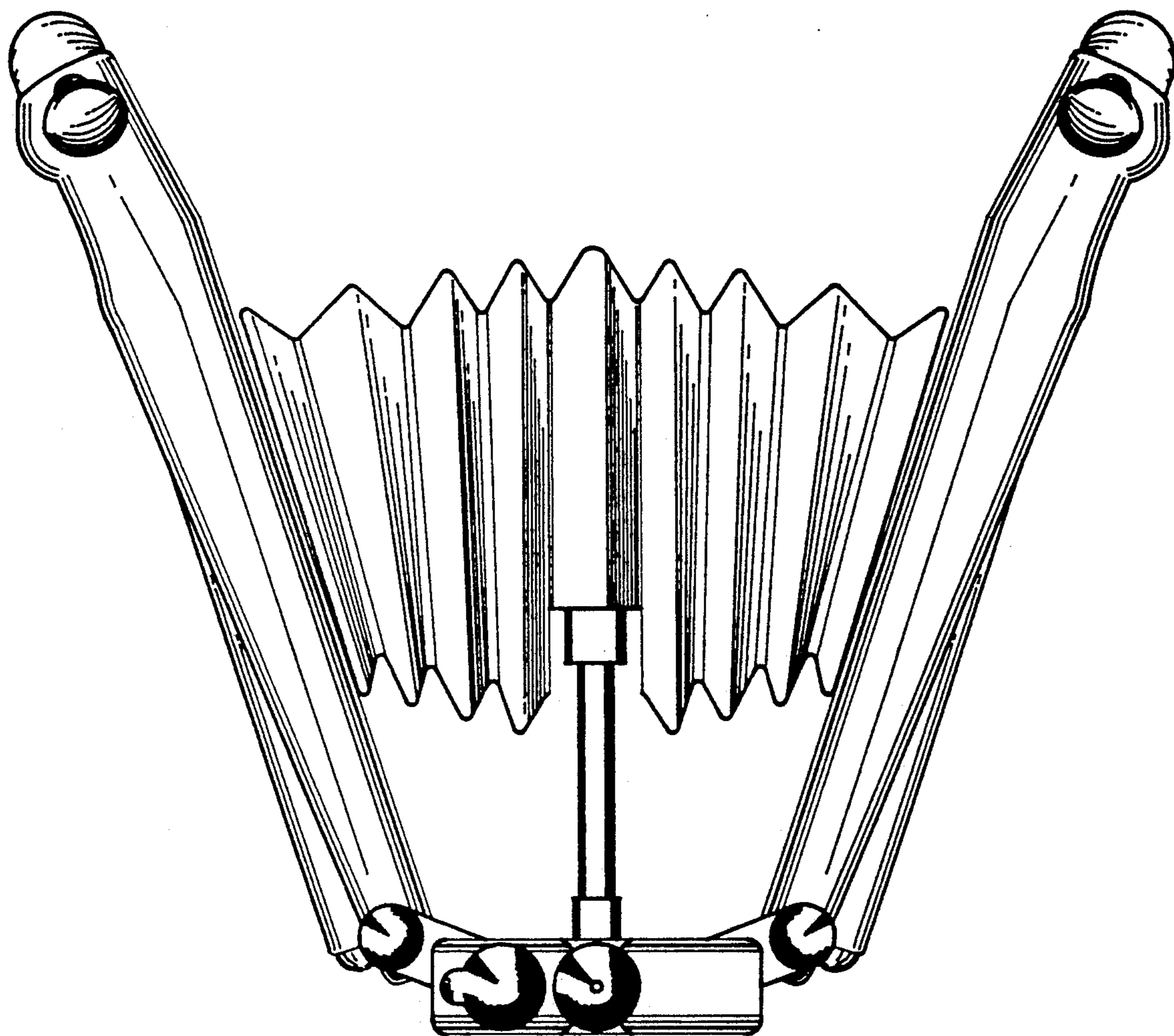


Fig. 2

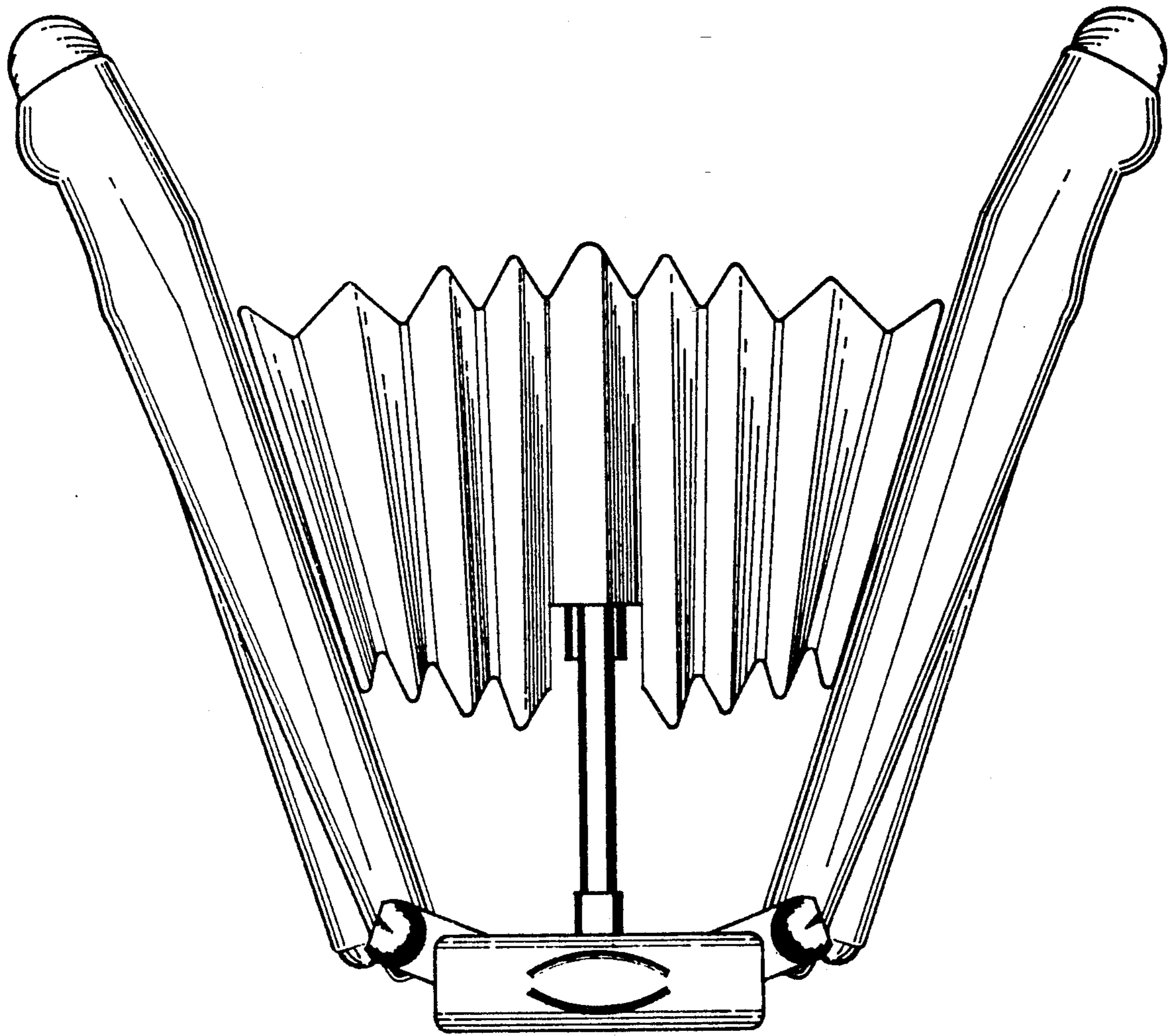


Fig. 3

Fig. 4

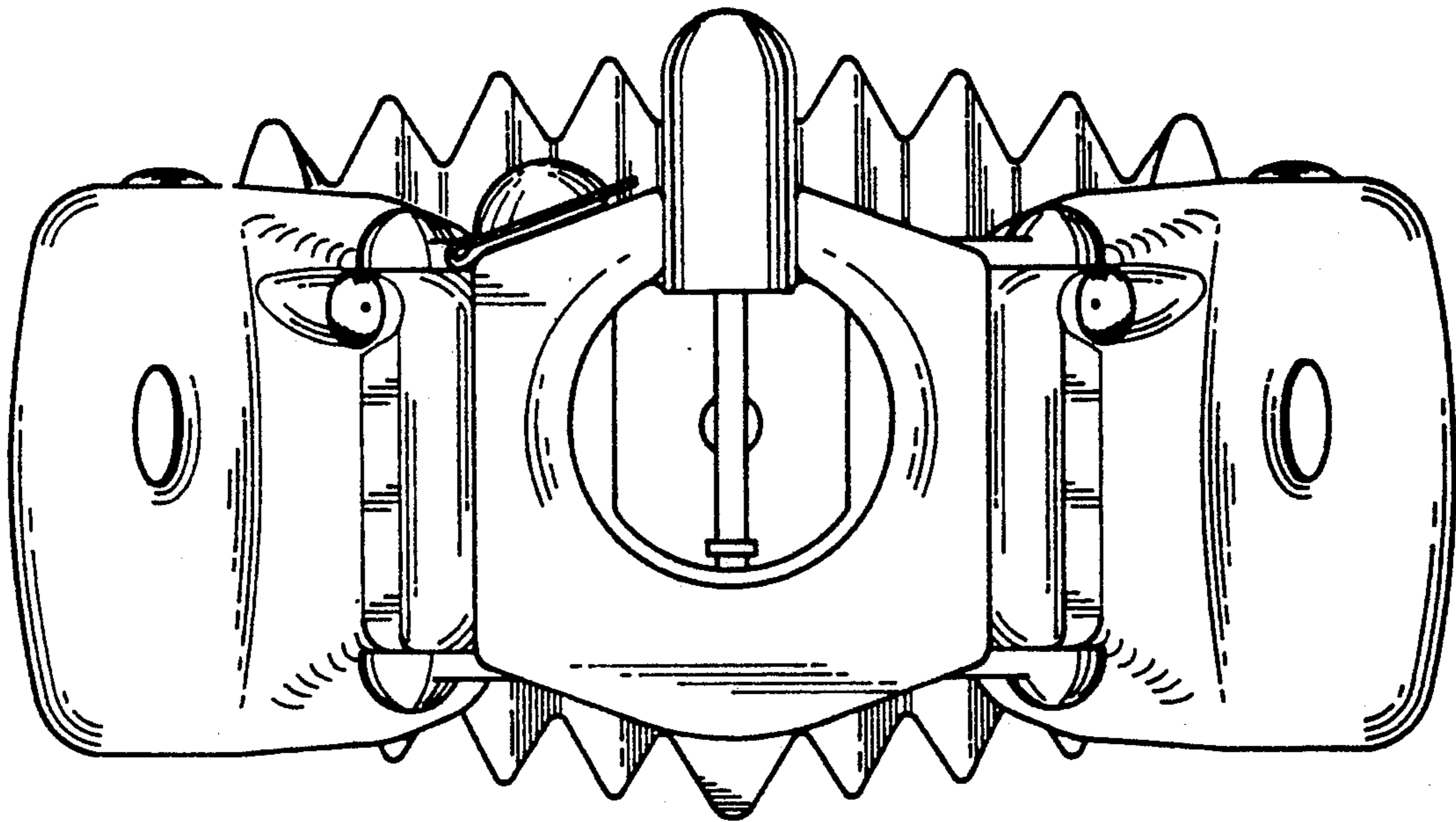
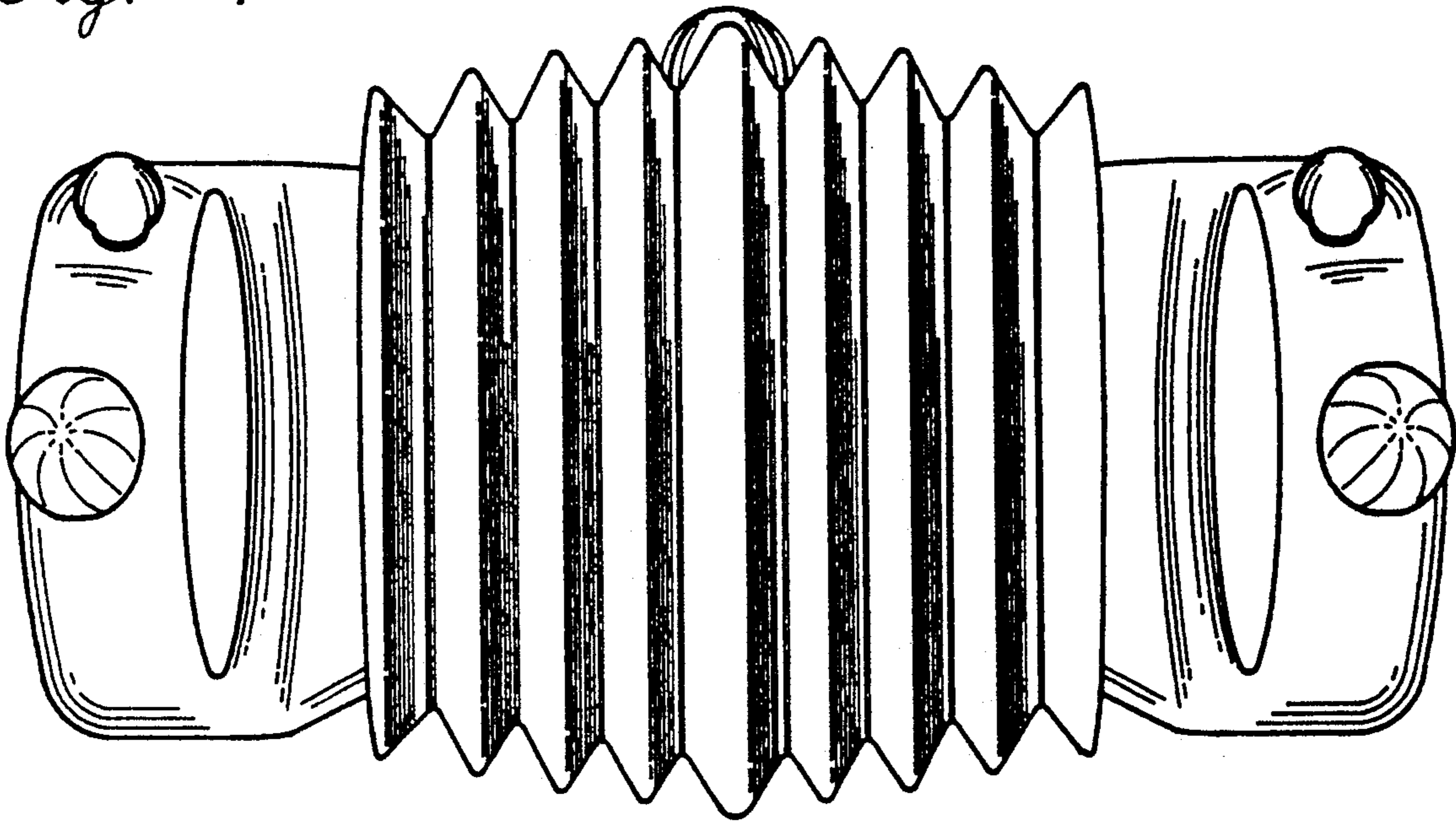


Fig. 5

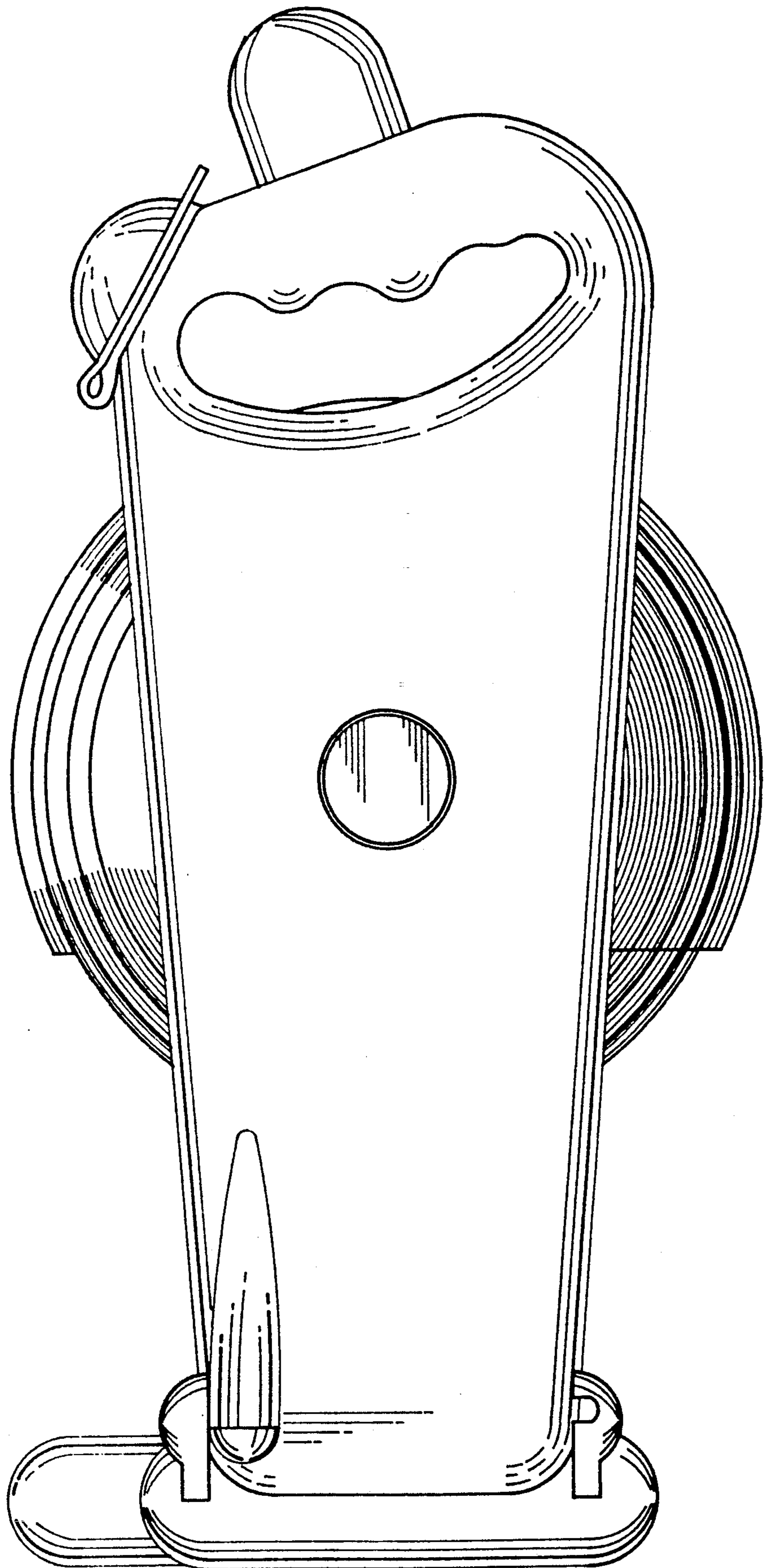


Fig. 6

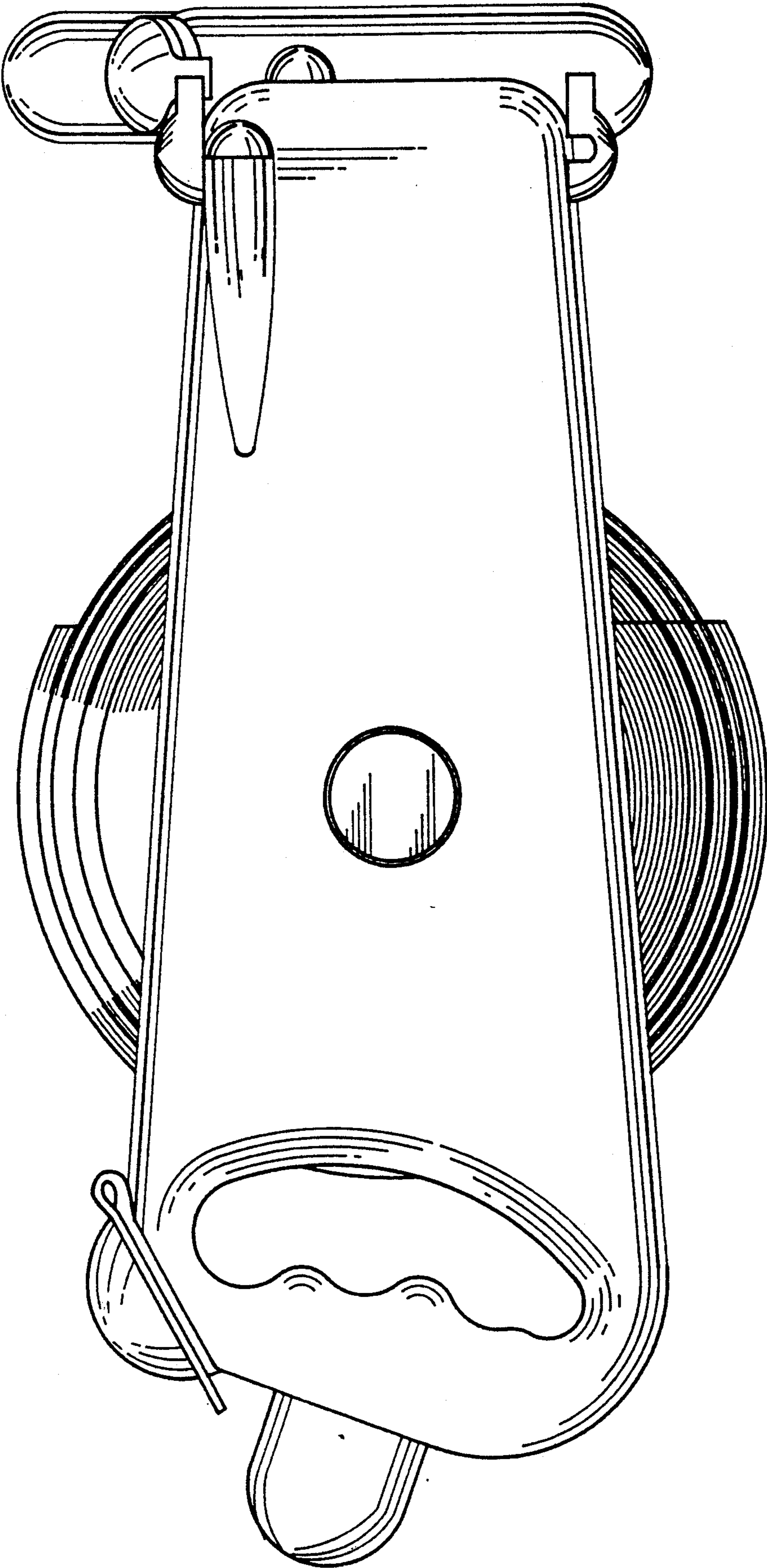


Fig. 7