



US00D331599S

United States Patent [19]

Lushington et al.

[11] Patent Number: **Des. 331,599**

[45] Date of Patent: **** Dec. 8, 1992**

[54] SHELF LABELING BOOK SUPPORT

[75] Inventors: **Nolan Lushington**, Norwalk, Conn.;
James Dokoupil, Liverpool; **Gregory**
Mt. Pleasant, Baldwinsville, both of
N.Y.

[73] Assignee: **The Croydon Company, Inc.**,
Liverpool, N.Y.

[**] Term: **14 Years**

[21] Appl. No.: **643,654**

[22] Filed: **Jan. 16, 1991**

[52] U.S. Cl. **D19/32**

[58] Field of Search **D19/32; D6/310;**
211/184

[56] **References Cited**

U.S. PATENT DOCUMENTS

4,327,838	5/1982	Cooke	211/184
4,592,471	6/1986	Bross	211/184
4,673,091	6/1987	Robinson	211/184

Primary Examiner—Wallace R. Burke
Assistant Examiner—Melody N. Brown

[57] **CLAIM**

The ornamental design for a shelf labelling book support, as shown and described.

DESCRIPTION

FIG. 1 is an exploded perspective view of a shelf labelling book support showing our new design; FIG. 2 is a left side elevational view thereof, the right side being a mirror image of that shown; FIG. 3 is a front elevational view thereof; FIG. 4 is a rear elevational view thereof; FIG. 5 is a top plan view thereof; and, FIG. 6 is a bottom plan view thereof.

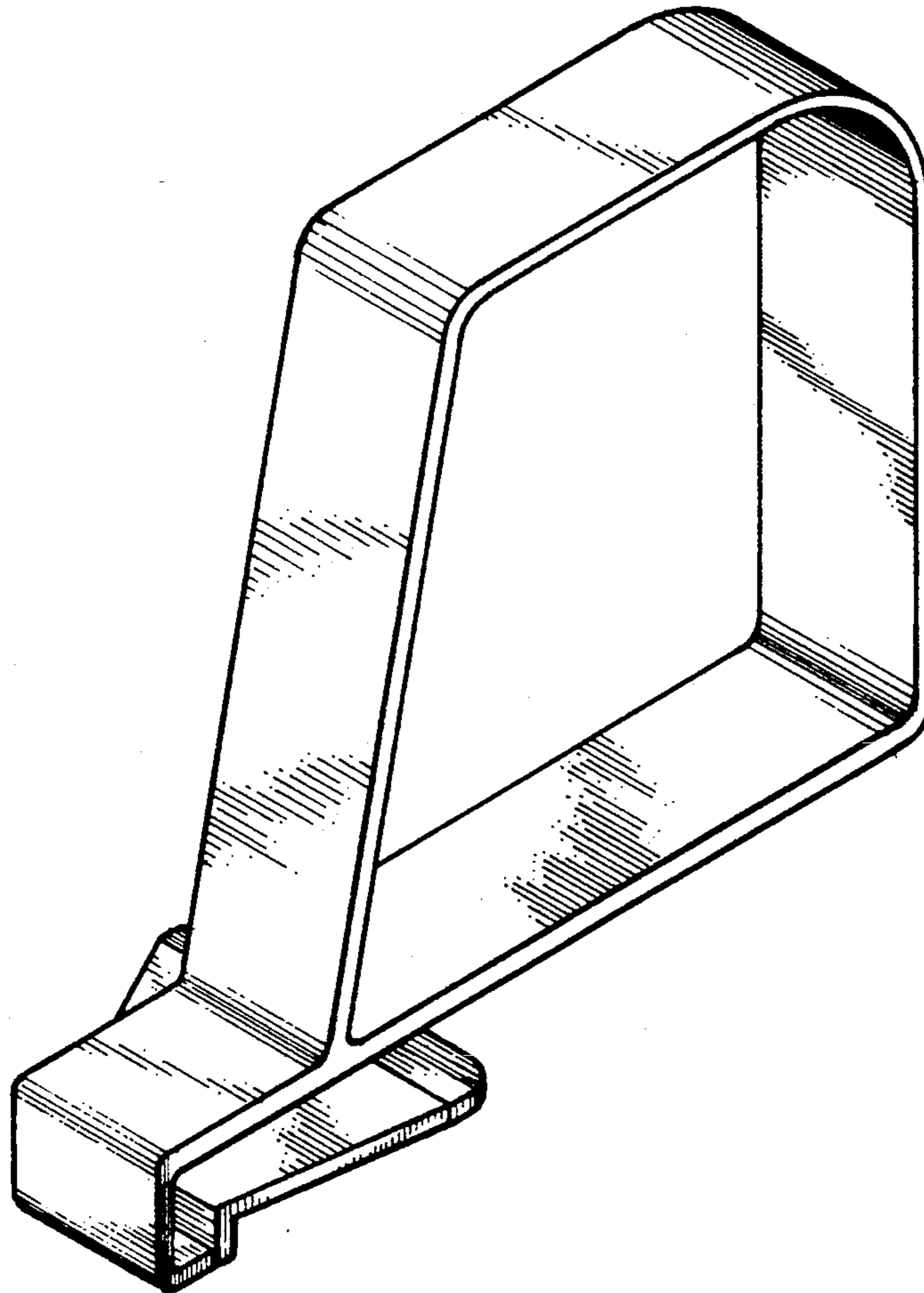


FIG. 1

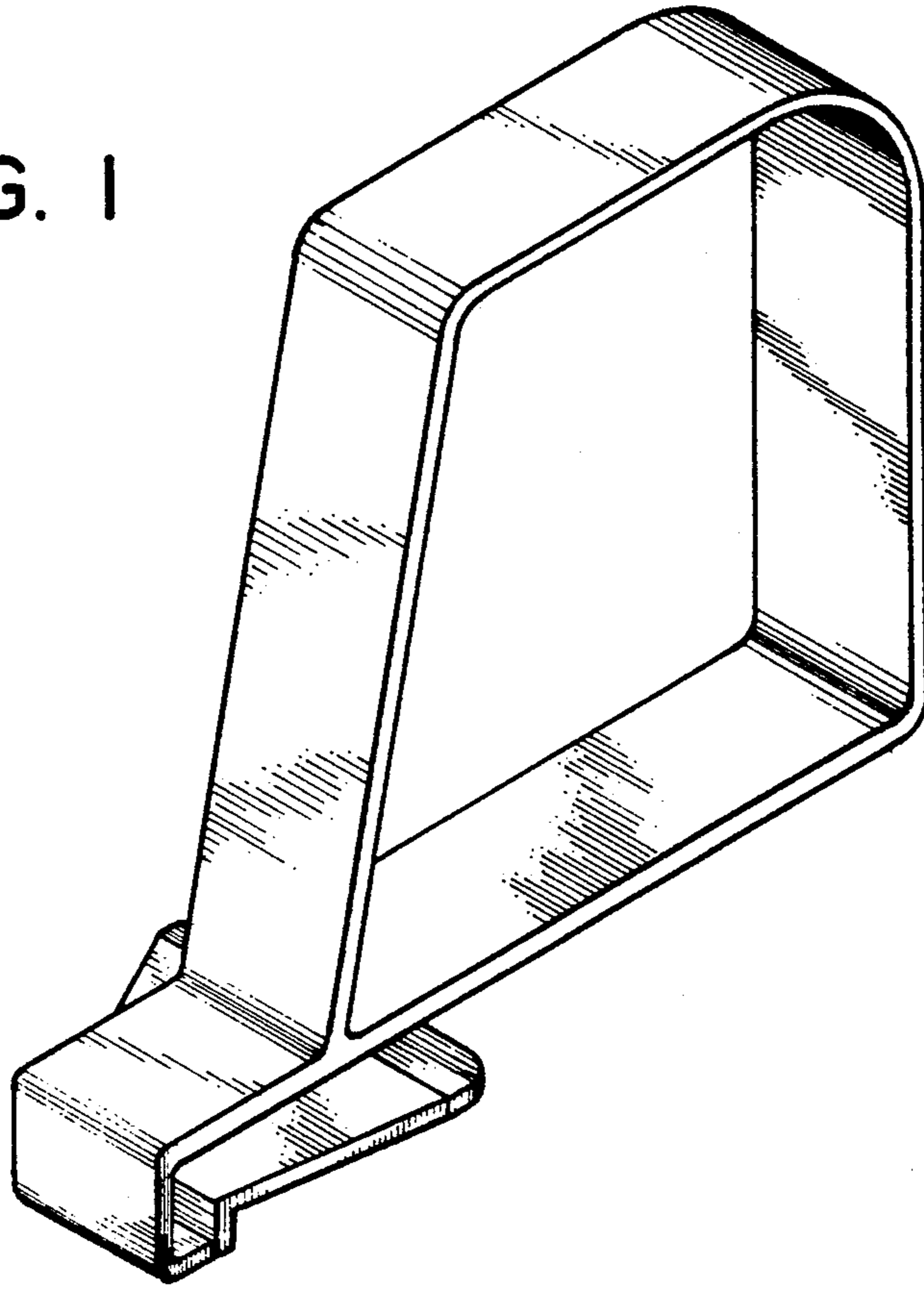


FIG. 2

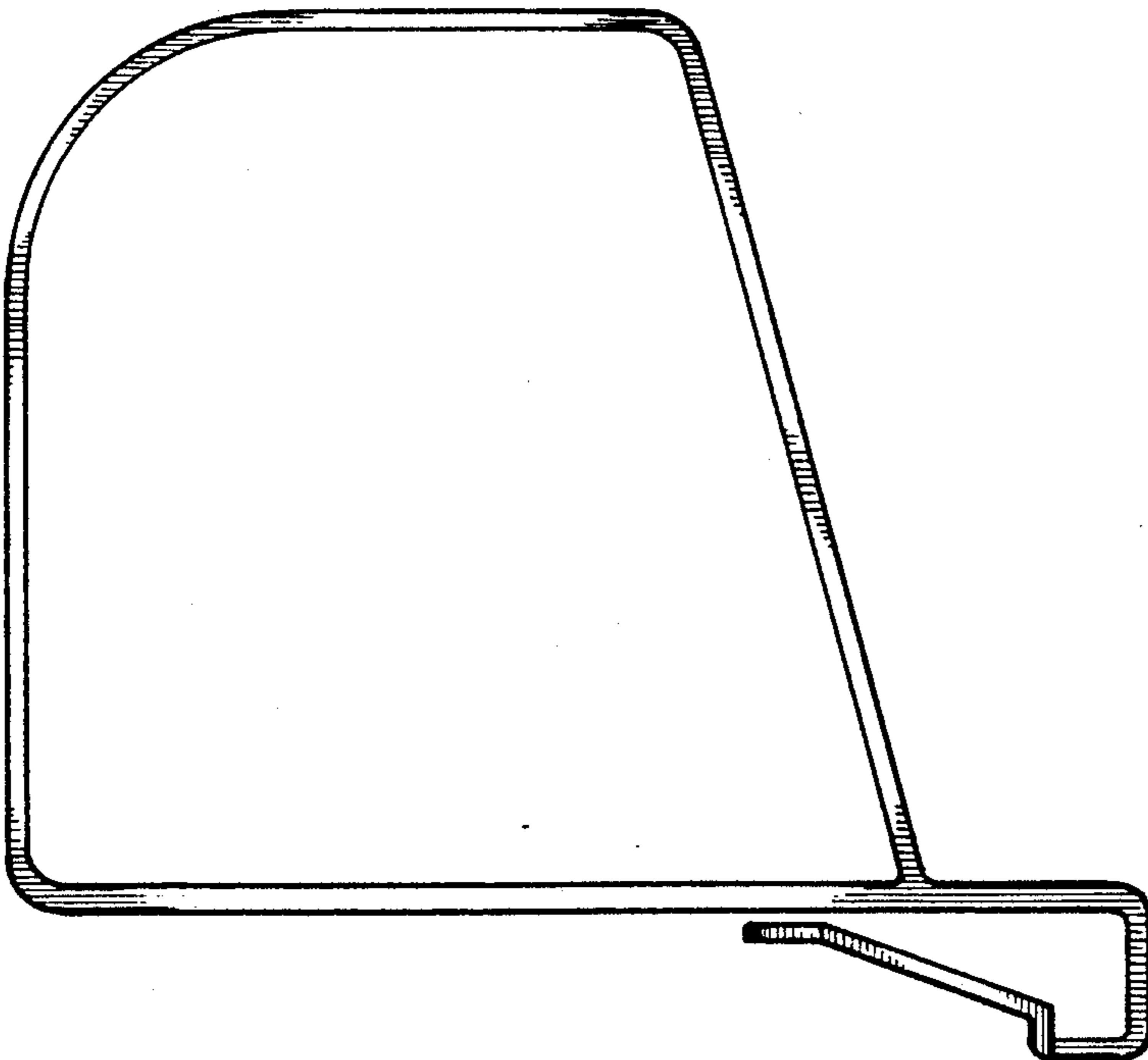


FIG. 3

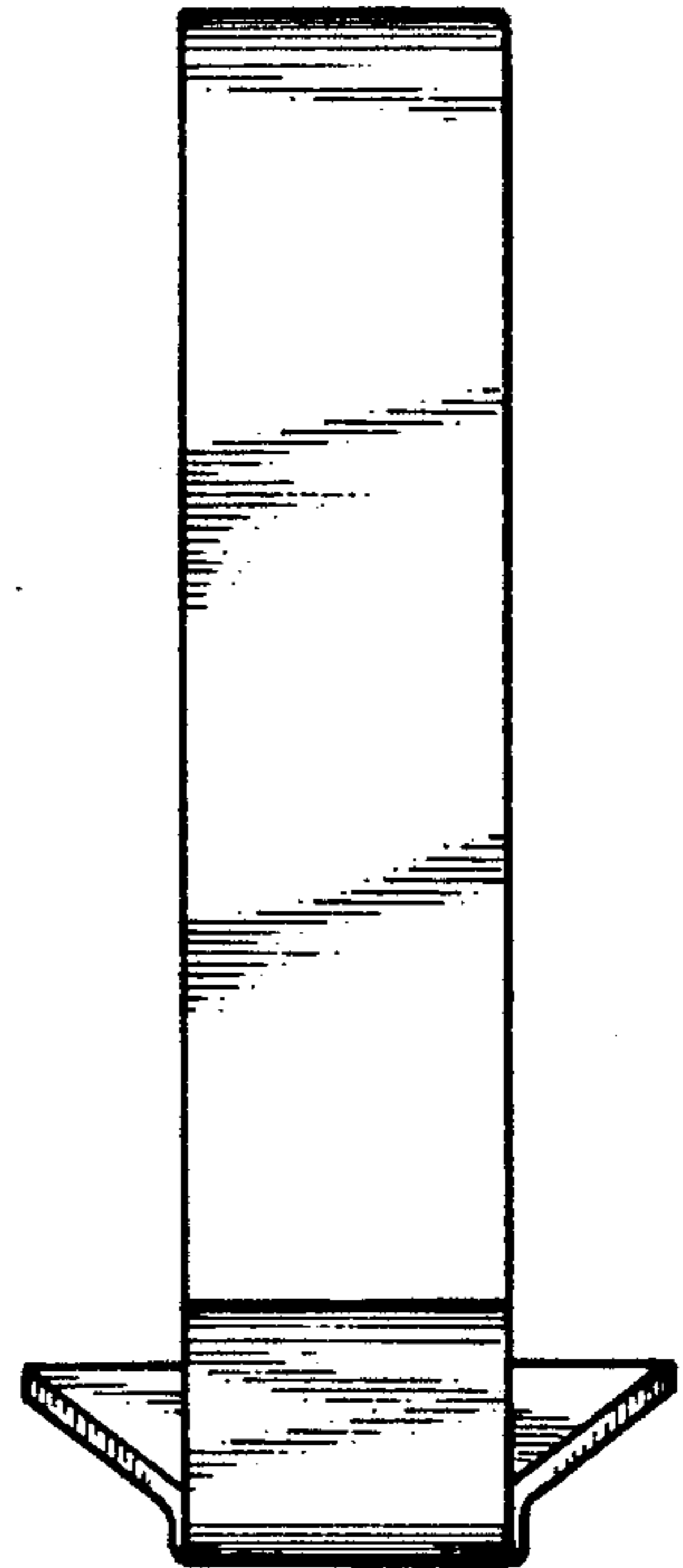


FIG. 4

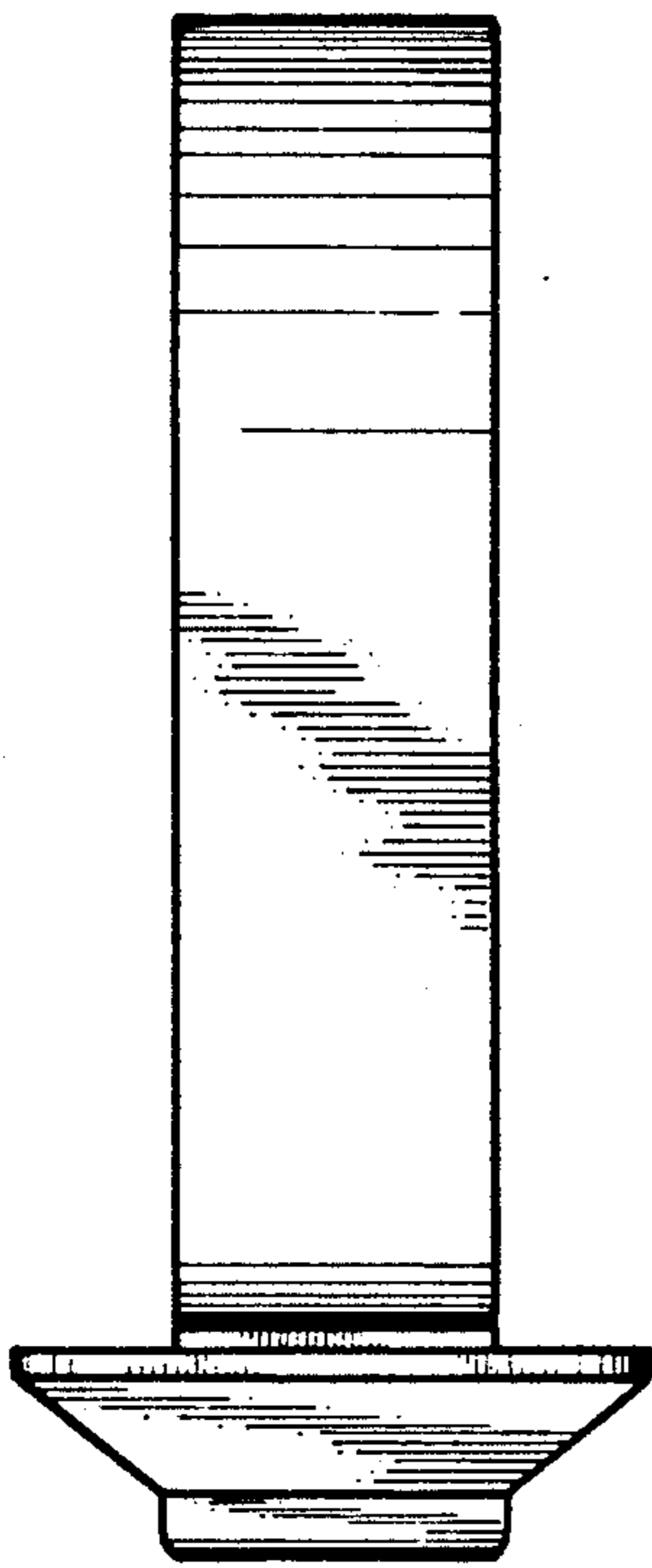


FIG. 5

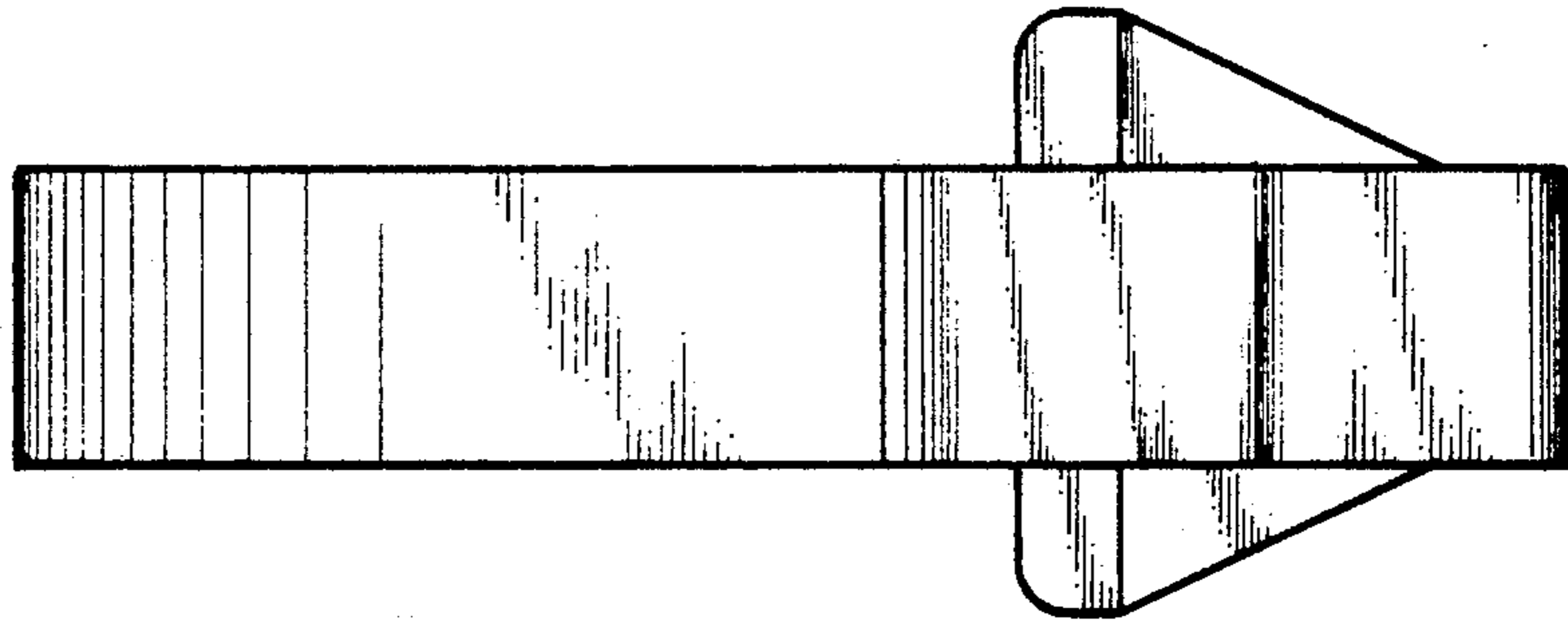
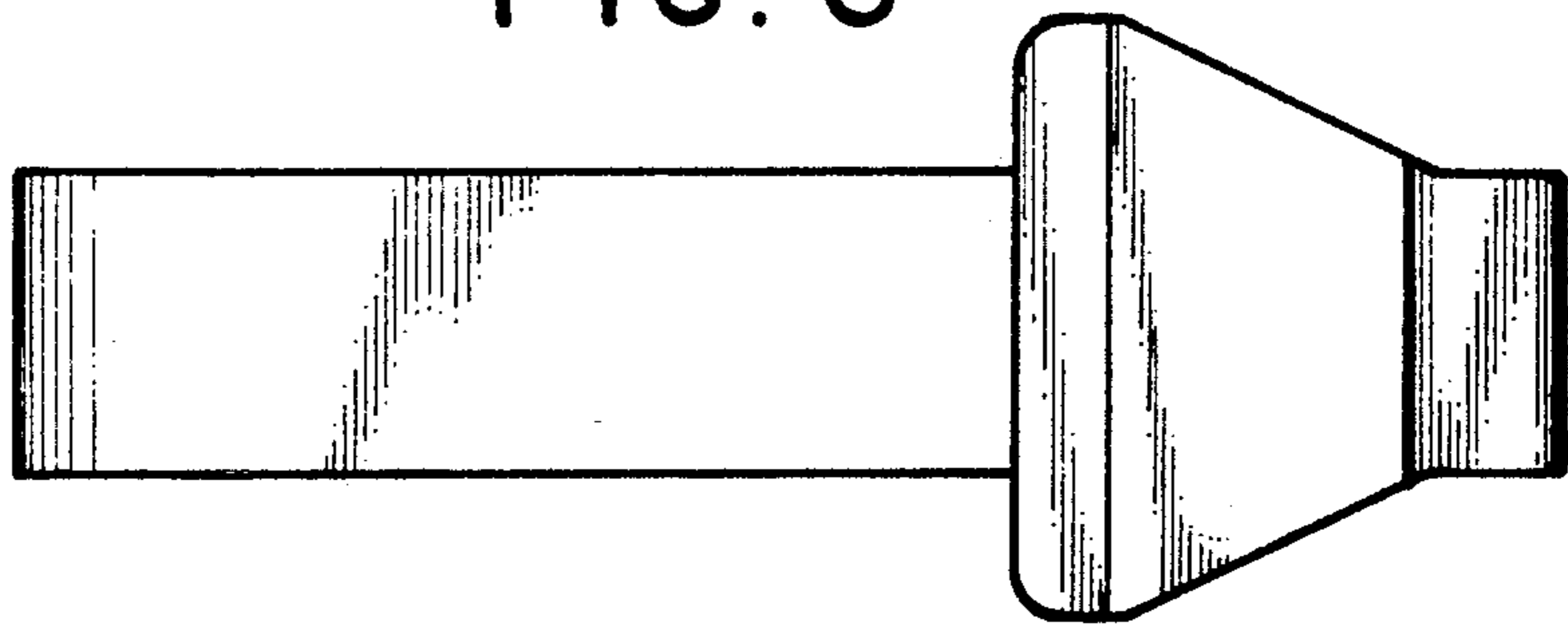


FIG. 6



UNITED STATES PATENT AND TRADEMARK OFFICE
CERTIFICATE OF CORRECTION

PATENT NO. : D331599
DATED : December 8, 1992
INVENTOR(S) : Nolan LUSHINGTON

Page 1 of 3

It is certified that error appears in the above-identified patent and that said Letters Patent is hereby corrected as shown below:

The title page should be deleted to appear as per attached title page.

The sheets of drawings consisting of figures 1-6, should be deleted to be replaced with the attached sheets.

Signed and Sealed this
Thirtieth Day of November, 1993

Attest:



BRUCE LEHMAN

Attesting Officer

Commissioner of Patents and Trademarks

United States Patent [19]
Lushington et al.

[11] **Patent Number: Des. 331,599**
[45] **Date of Patent: ** Dec. 8, 1992**

[54] **SHELF LABELING BOOK SUPPORT**

[56] **References Cited**

[75] **Inventors: Nolan Lushington, Norwalk, Conn.; James Dokoupil, Liverpool; Gregory Mt. Pleasant, Baldwinsville, both of N.Y.**

U.S. PATENT DOCUMENTS

4,327,838	5/1982	Cooke	211/184
4,592,471	6/1986	Bross	211/184
4,673,091	6/1987	Robinson	211/184

Primary Examiner—Wallace R. Burke
Assistant Examiner—Melody N. Brown

[73] **Assignee: The Croydon Company, Inc., Liverpool, N.Y.**

[57] **CLAIM**

The ornamental design for a shelf labelling book support, as shown and described.

[**] **Term: 14 Years**

DESCRIPTION

[21] **Appl. No.: 643,654**

FIG. 1 is an exploded perspective view of a shelf labelling book support showing our new design; FIG. 2 is a left side elevational view thereof, the right side being a mirror image of that shown; FIG. 3 is a front elevational view thereof; FIG. 4 is a rear elevational view thereof; FIG. 5 is a top plan view thereof; and, FIG. 6 is a bottom plan view thereof.

[22] **Filed: Jan. 16, 1991**
[52] **U.S. Cl. D19/32**
[58] **Field of Search D19/32; D6/310; 211/184**

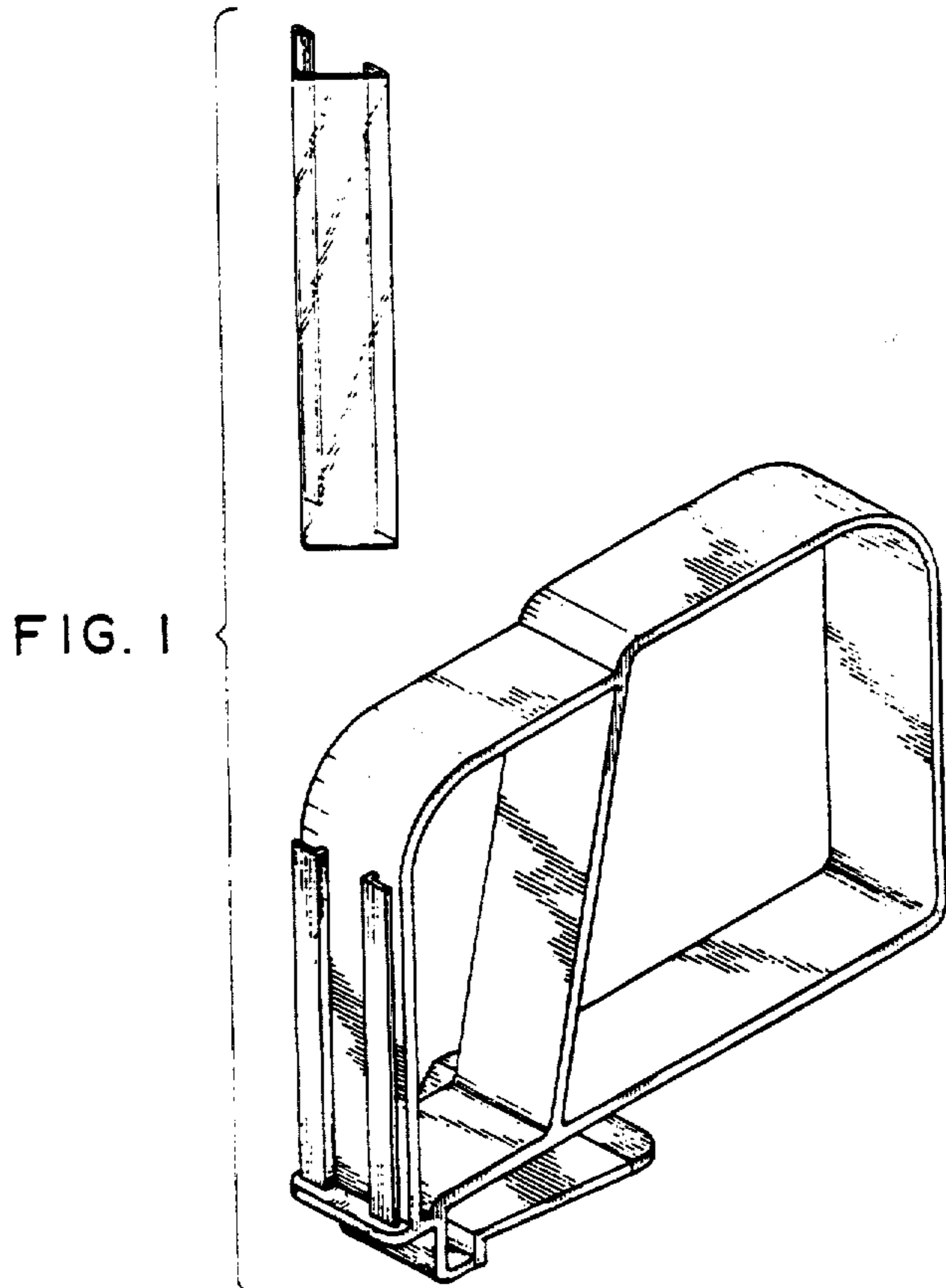


FIG. 2

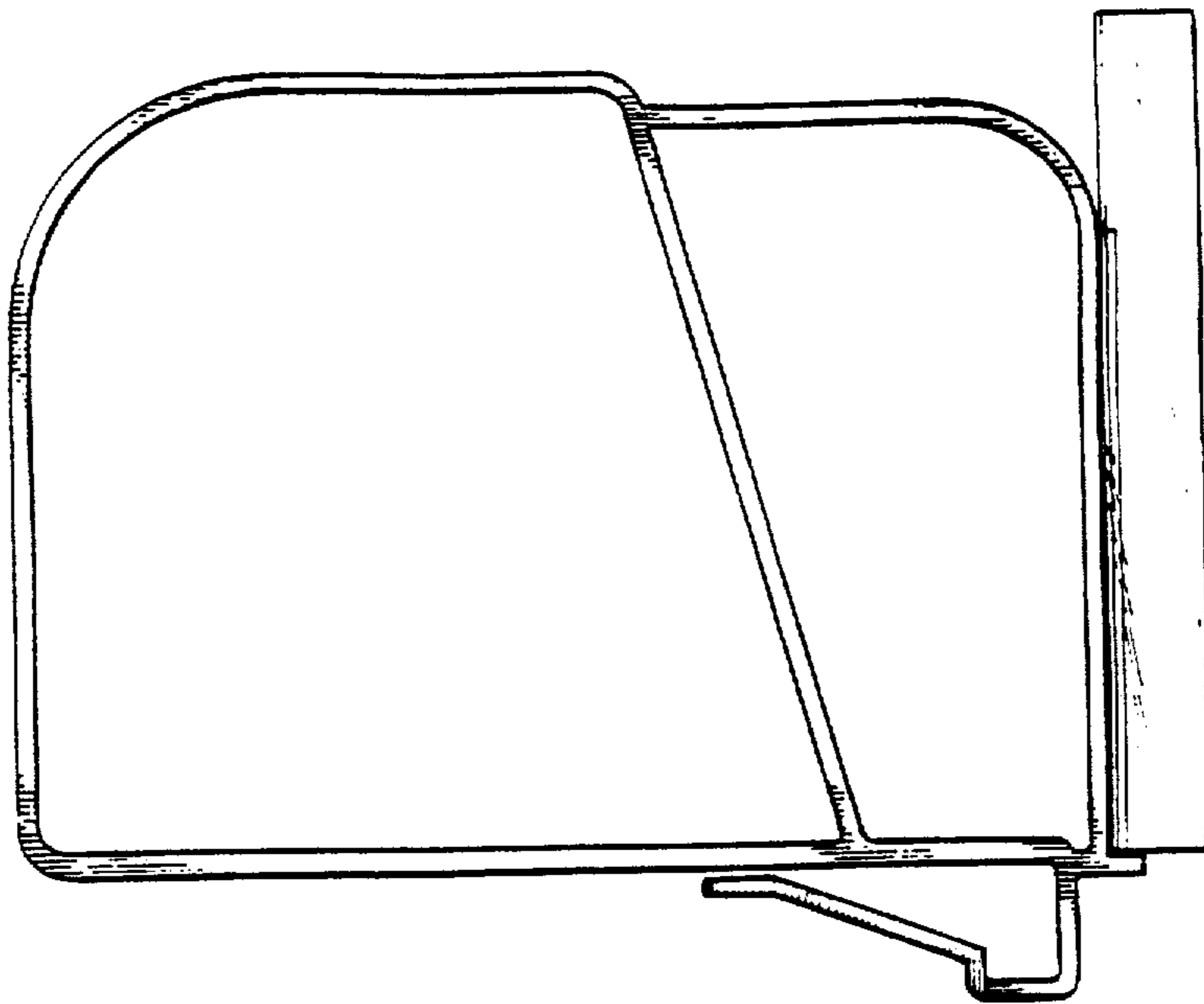


FIG. 3

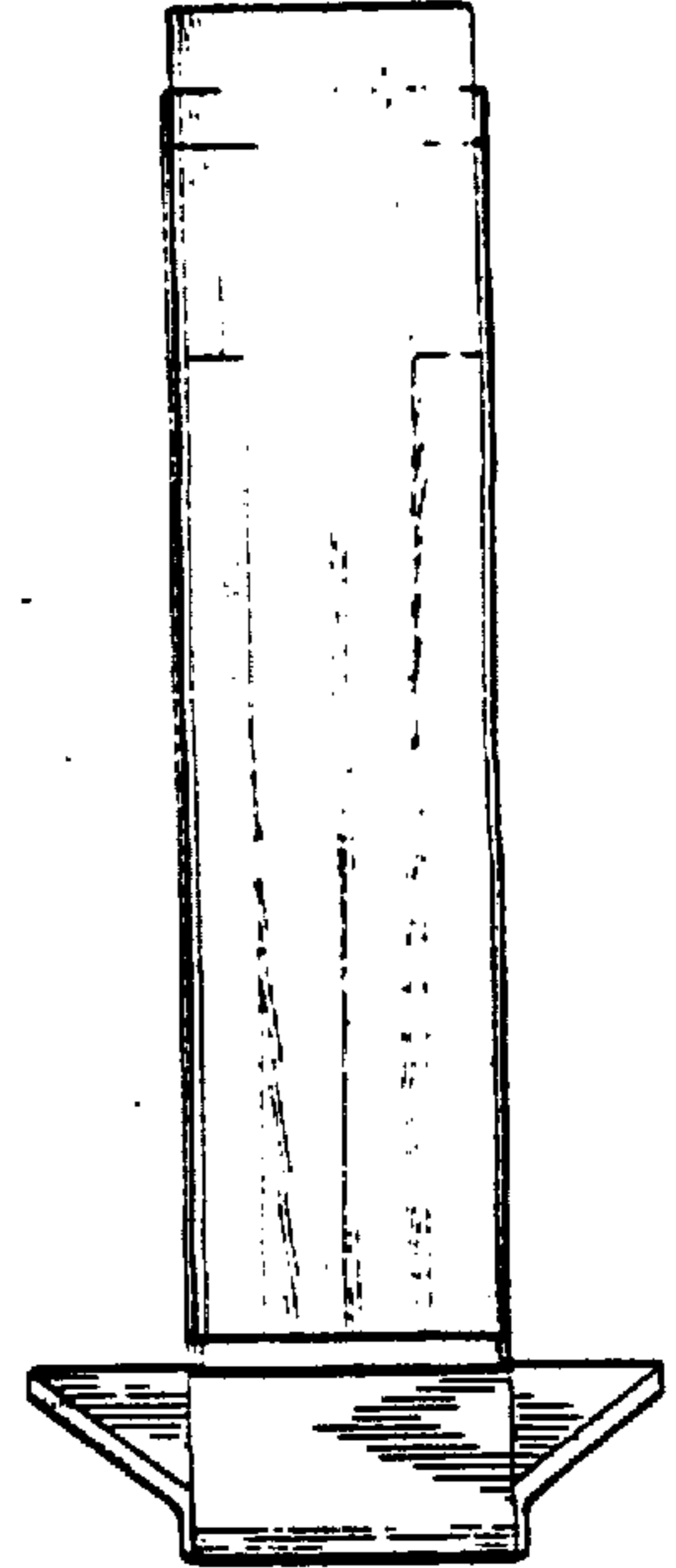


FIG. 5

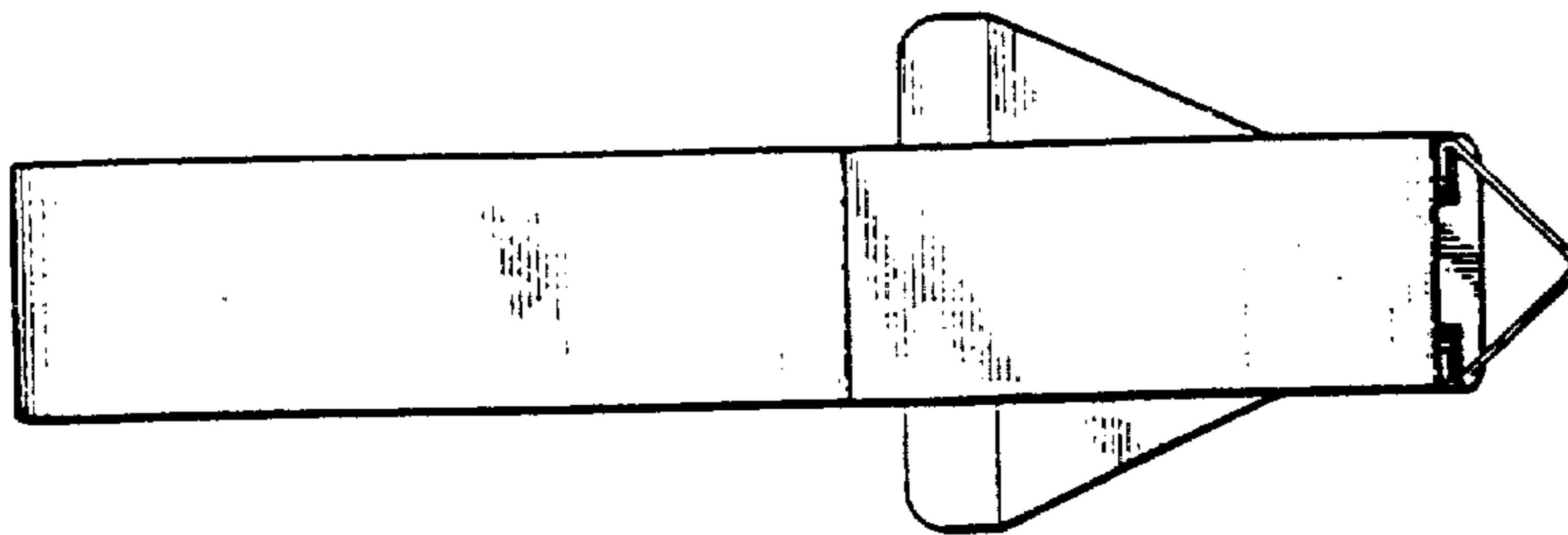


FIG. 4

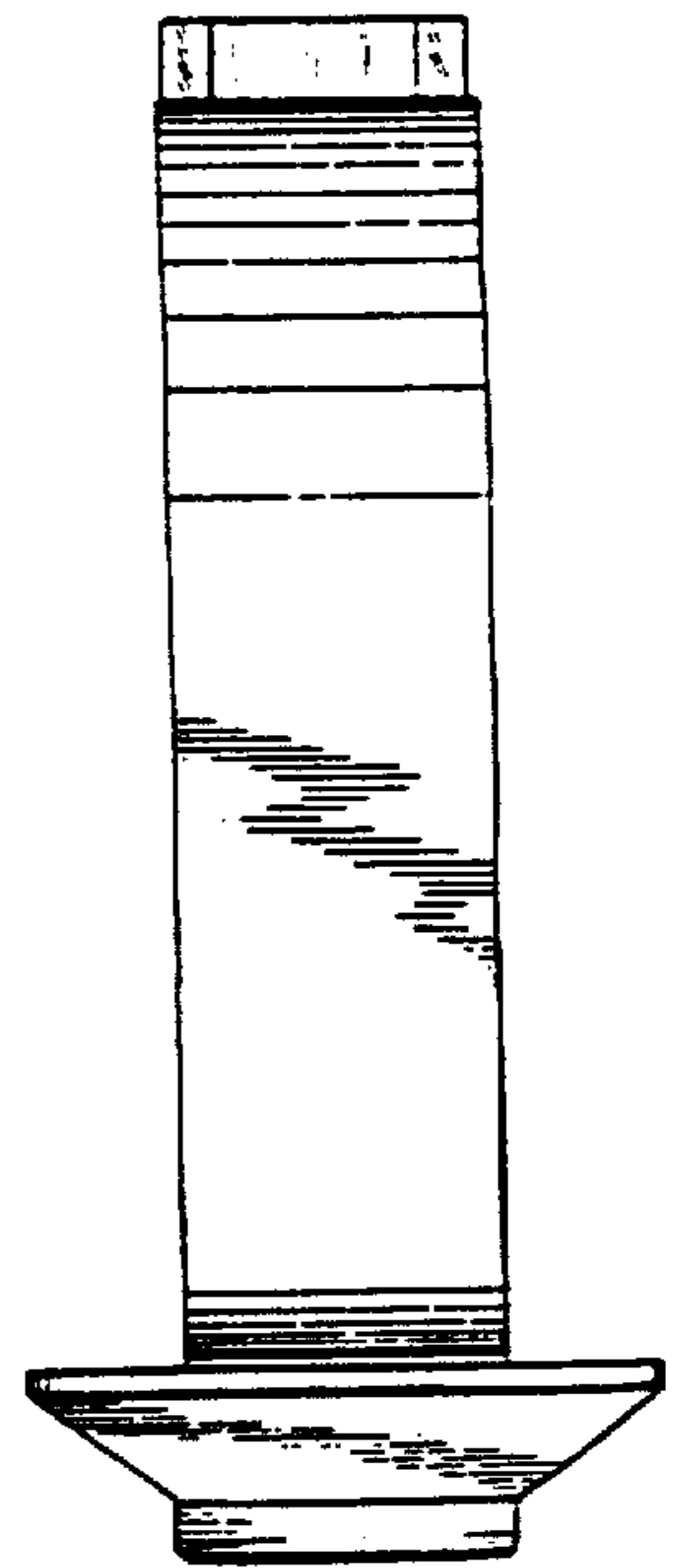


FIG. 6

