



US00D331598S

United States Patent [19]

[11] Patent Number: **Des. 331,598**

Martin

[45] Date of Patent: **** Dec. 8, 1992**

[54] **COMBINED FILE MARKER AND MEASURING INSTRUMENT**

[75] Inventor: **Kathleen M. Martin, West Orange, N.J.**

[73] Assignee: **Harley H. Mattheis, Verona, N.J.**

[**] Term: **14 Years**

[21] Appl. No.: **553,279**

[22] Filed: **Jul. 16, 1990**

[52] U.S. Cl. **D19/32; D19/34; D10/71**

[58] Field of Search **D19/32, 34; 24/67 R; 281/42, 45; 40/658; D10/71, 72; 33/483, 492, 490**

[56] **References Cited**

U.S. PATENT DOCUMENTS

D. 218,779	9/1970	Nelson	D10/71 X
1,226,855	5/1977	Boynton	D10/71
1,597,058	8/1926	Crawford	33/490
3,140,883	7/1964	Anthony	D19/34 X
4,312,133	1/1982	Mimi	33/492 X
4,569,538	2/1986	Kurschmer	281/42

Primary Examiner—James M. Gandy

Attorney, Agent, or Firm—Siegmar Silber

[57] **CLAIM**

The ornamental design for a combined file marker and measuring instrument, as shown and described.

DESCRIPTION

FIG. 1 is a reduced perspective view of a first embodiment of a combined file marker and measuring instrument showing my new design, with the broken line showing of a portion of a file cabinet for illustrative purposes only and forming no part of the claimed design;

FIG. 2 is a top plan view thereof;

FIG. 3 is a front elevational view thereof;

FIG. 4 is a right side elevational view thereof;

FIG. 5 is a rear elevational view thereof;

FIG. 6 is a reduced perspective view of a second embodiment of my design with a magnetic element on the rear and with the broken line showing of a portion of a file cabinet for illustrative purposes only and forming no part of the claimed design;

FIG. 7 is a front elevational view thereof;

FIG. 8 is a right side elevational view thereof;

FIG. 9 is a rear elevational view thereof; and,

FIG. 10 is a top plan view thereof.

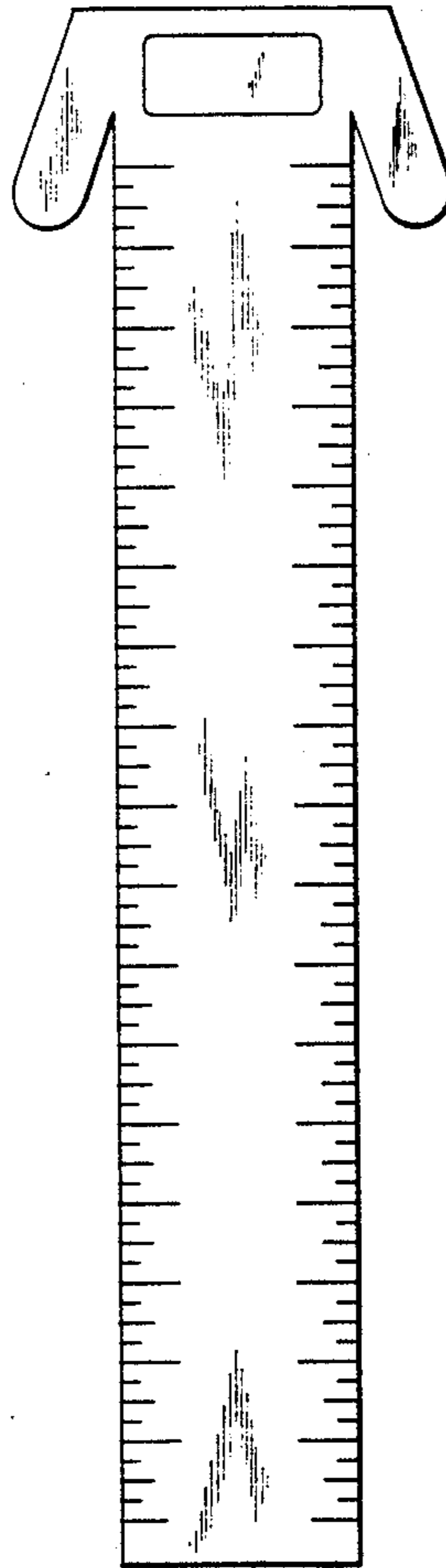


FIG. 1

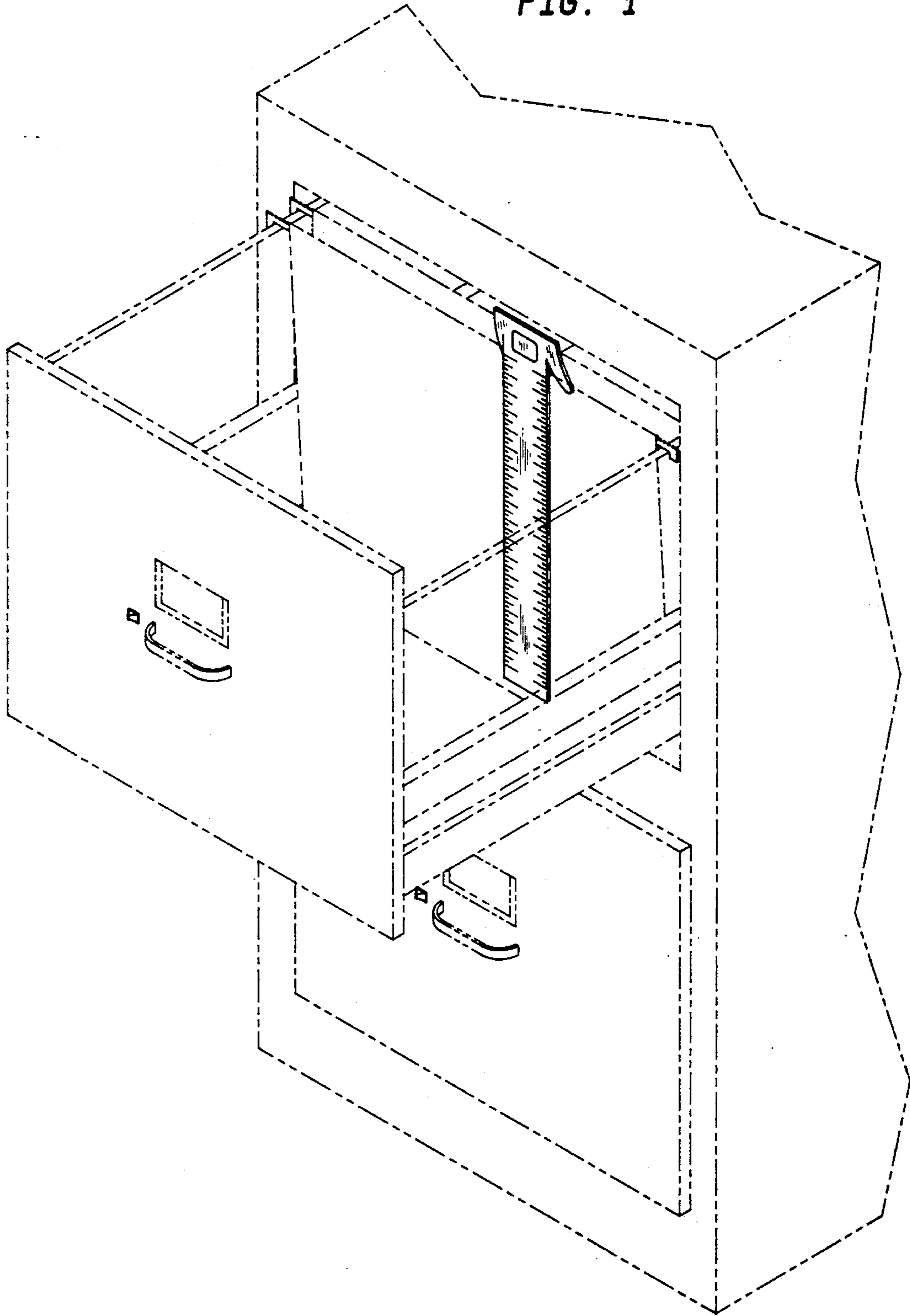


FIG. 2



FIG. 3

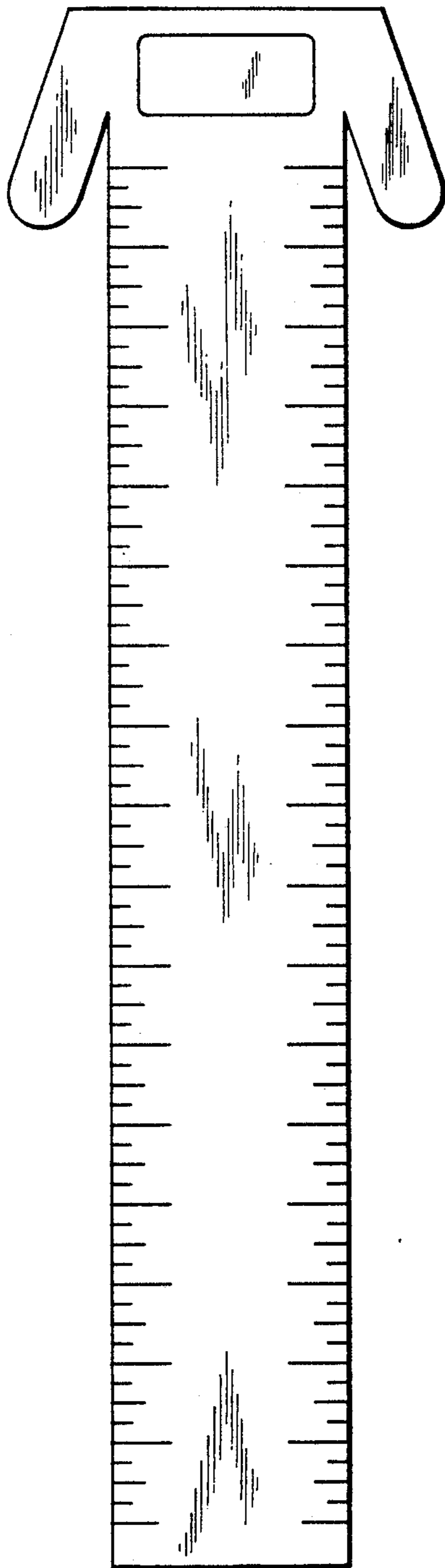


FIG. 4



FIG. 5

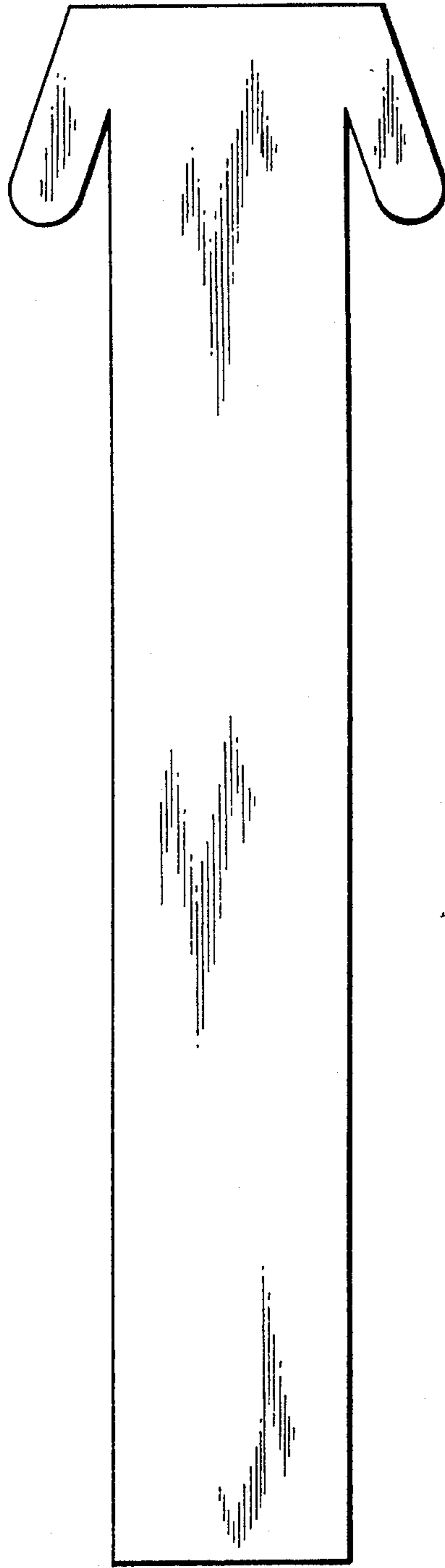


FIG. 6

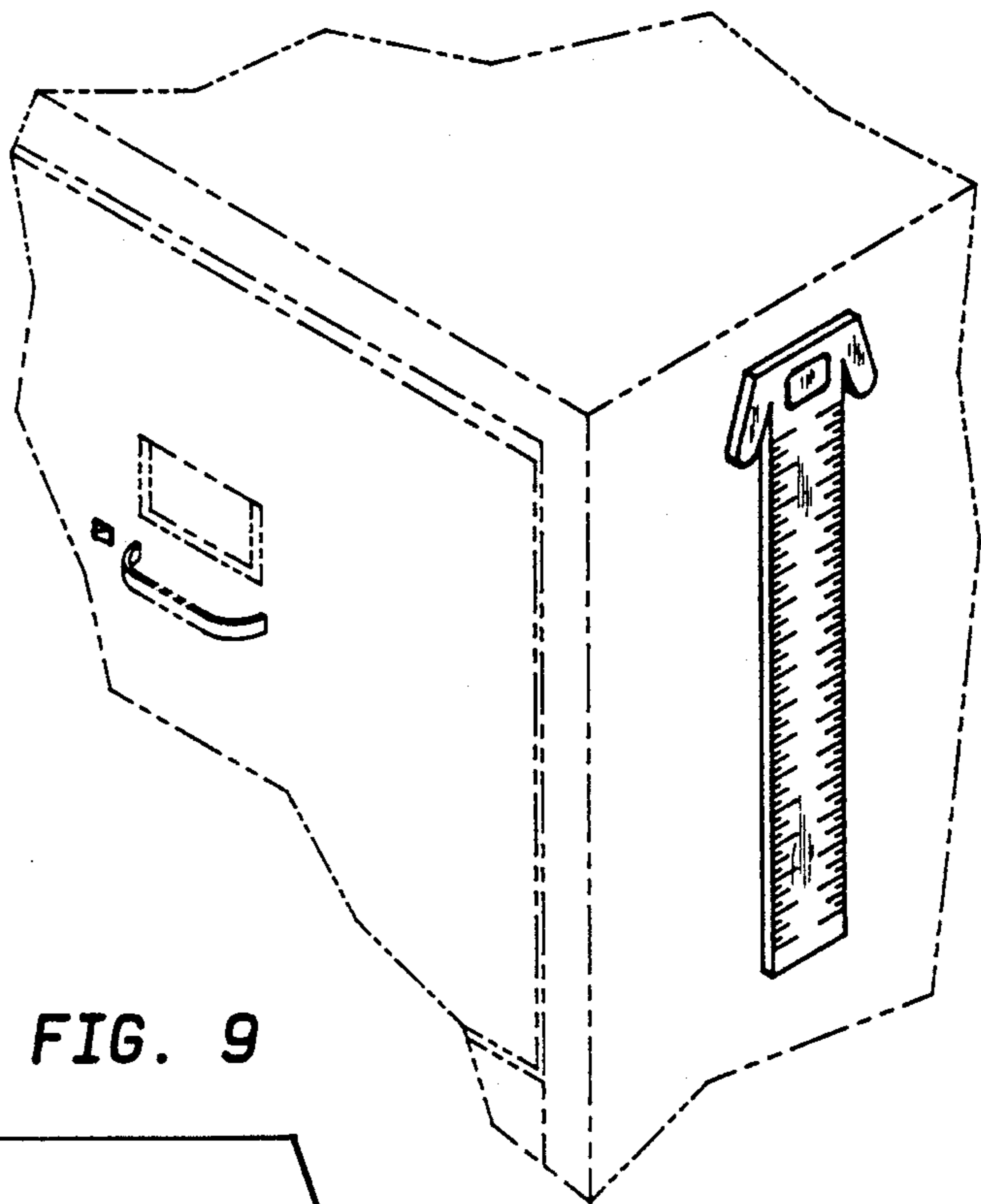


FIG. 10



FIG. 7 FIG. 8 FIG. 9

