



US00D331596S

United States Patent [19] Horie

[11] Patent Number: **Des. 331,596**
[45] Date of Patent: **** Dec. 8, 1992**

[54] PRINTER FOR A COMPUTER

[75] Inventor: **Kazuhiro Horie**, Tokyo, Japan
[73] Assignee: **Seikosha Co., Ltd.**, Tokyo, Japan
[**] Term: **14 Years**
[21] Appl. No.: **530,932**

[22] Filed: **May 22, 1990**
[52] U.S. Cl. **D18/55**
[58] Field of Search **D18/5, 6, 11, 12, 50,**
D18/54-55; 400/691-694, 613, 613.1-613.4,
624; 101/93; 346/145

[56] References Cited

U.S. PATENT DOCUMENTS

D. 287,855	1/1987	Yamamoto	D18/54
D. 301,141	5/1989	Sugimoto	D18/54
D. 321,363	11/1991	Hirose et al.	D18/54
D. 321,530	11/1991	Takeda et al.	D18/54
D. 321,531	11/1991	Takeda et al.	D18/54

OTHER PUBLICATIONS

NEC Information Systems, Inc.; Pinwriter P5200/P5300; Nov. 1988.
Spinwriter e.l.f Printer brochure by NEC Information Systems, Inc.; Feb. 1985.

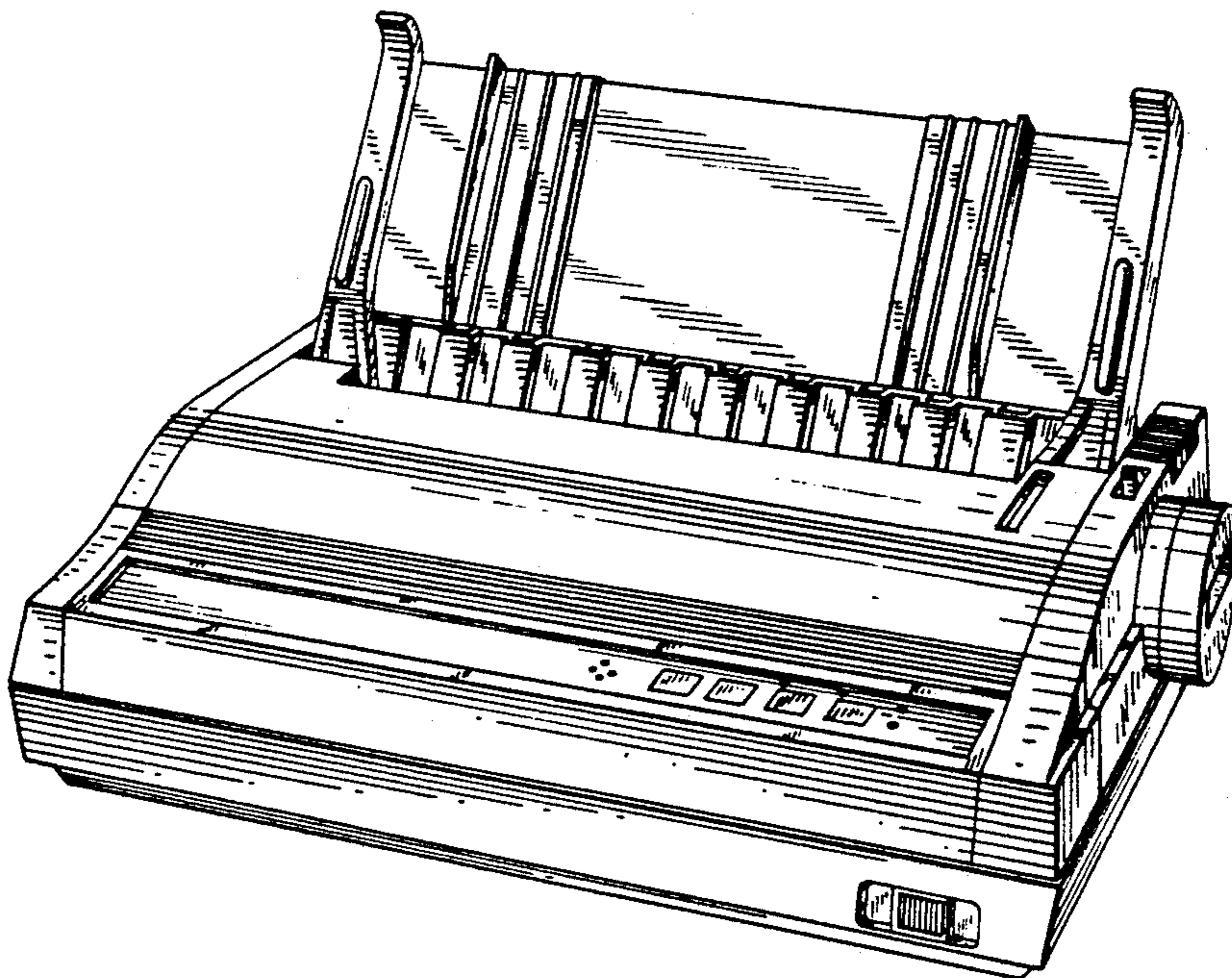
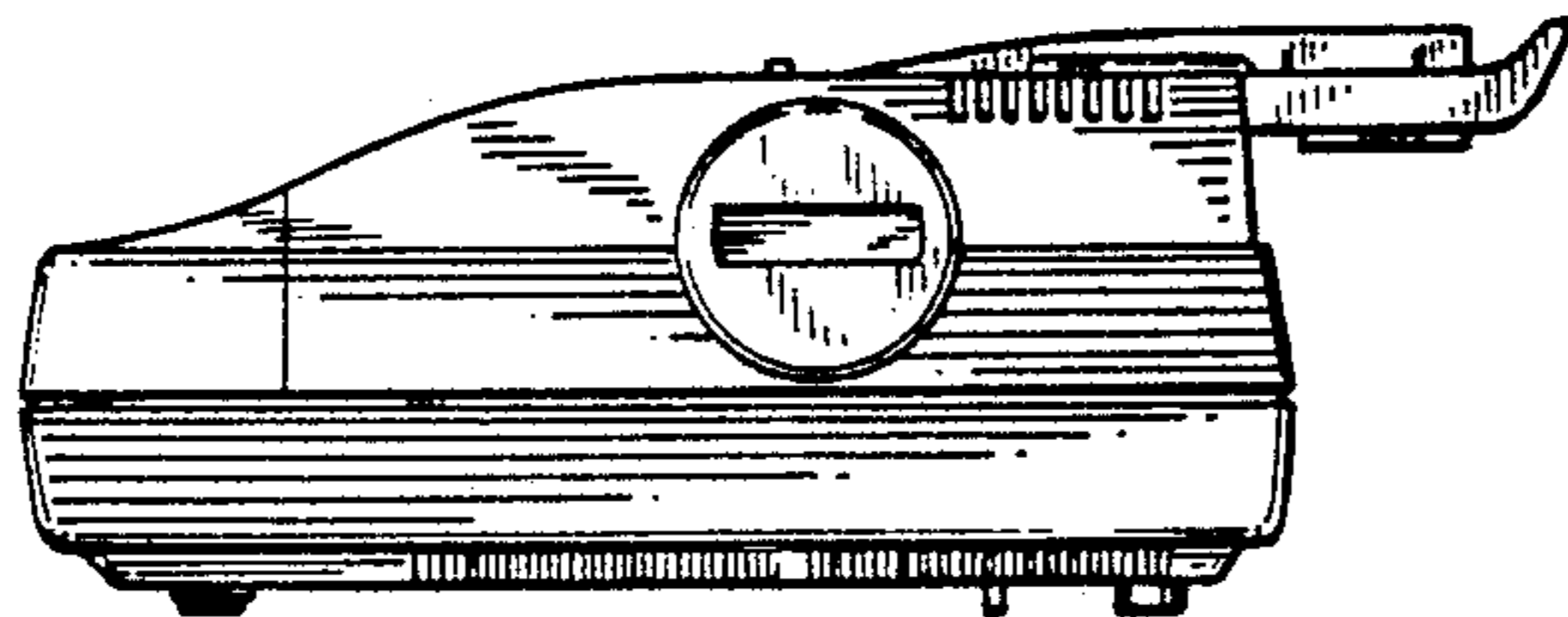
Primary Examiner—A. Hugo Word
Assistant Examiner—CathyAnne MacCormac
Attorney, Agent, or Firm—Jordan and Hamburg

[57] CLAIM

The ornamental design for a printer for a computer, as shown and described.

DESCRIPTION

FIG. 1 is a top plan view of a printer for a computer showing my new design;
FIG. 2 is a front elevational view thereof;
FIG. 3 is a right side elevational view thereof;
FIG. 4 is a left side elevational view thereof;
FIG. 5 is a rear elevational view thereof;
FIG. 6 is a bottom plan view thereof;
FIG. 7 is a front perspective view thereof;
FIG. 8 is a rear perspective view thereof; and,
FIG. 9 is a front perspective view thereof showing the paper guide in raised position.



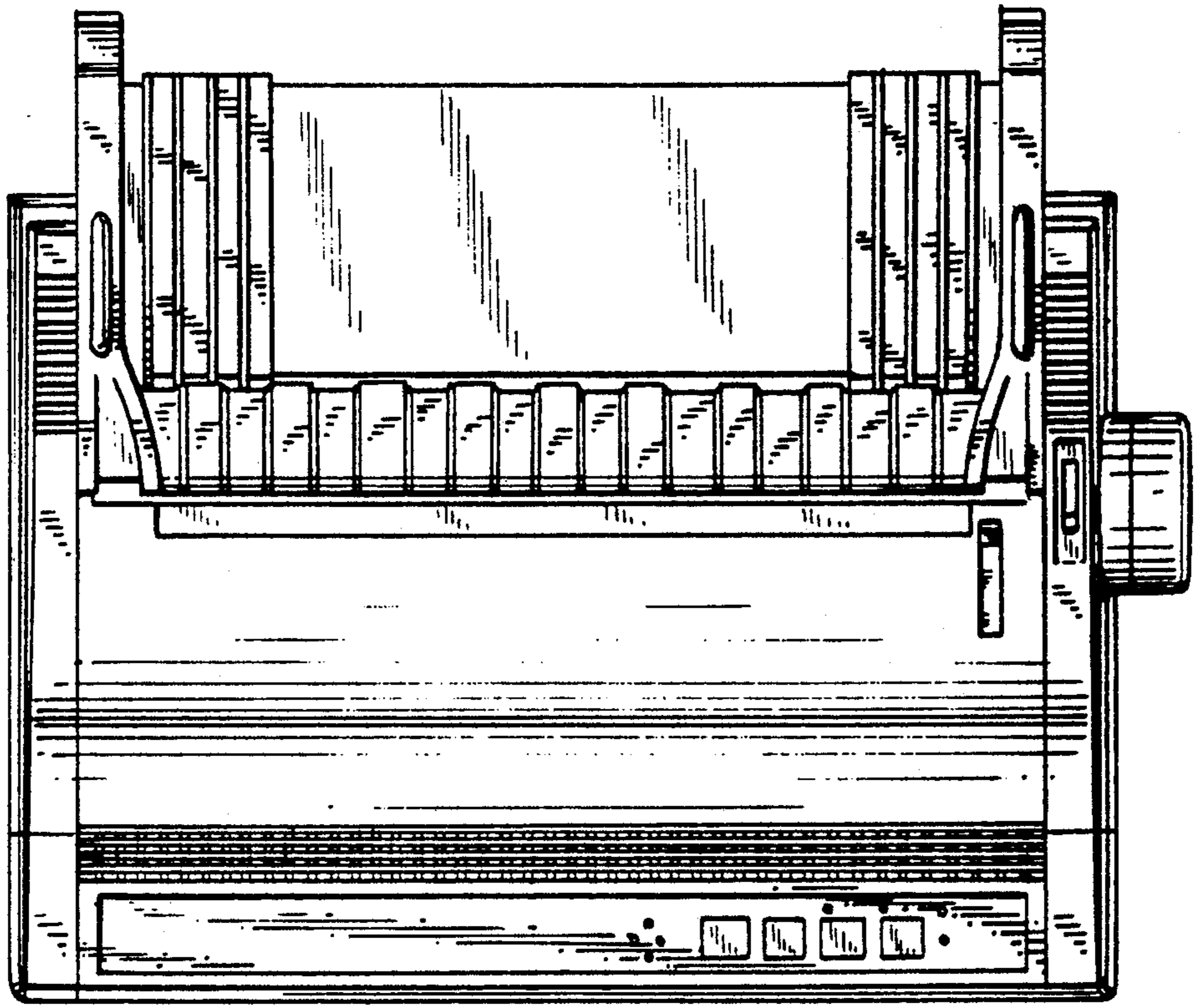


FIG. 1

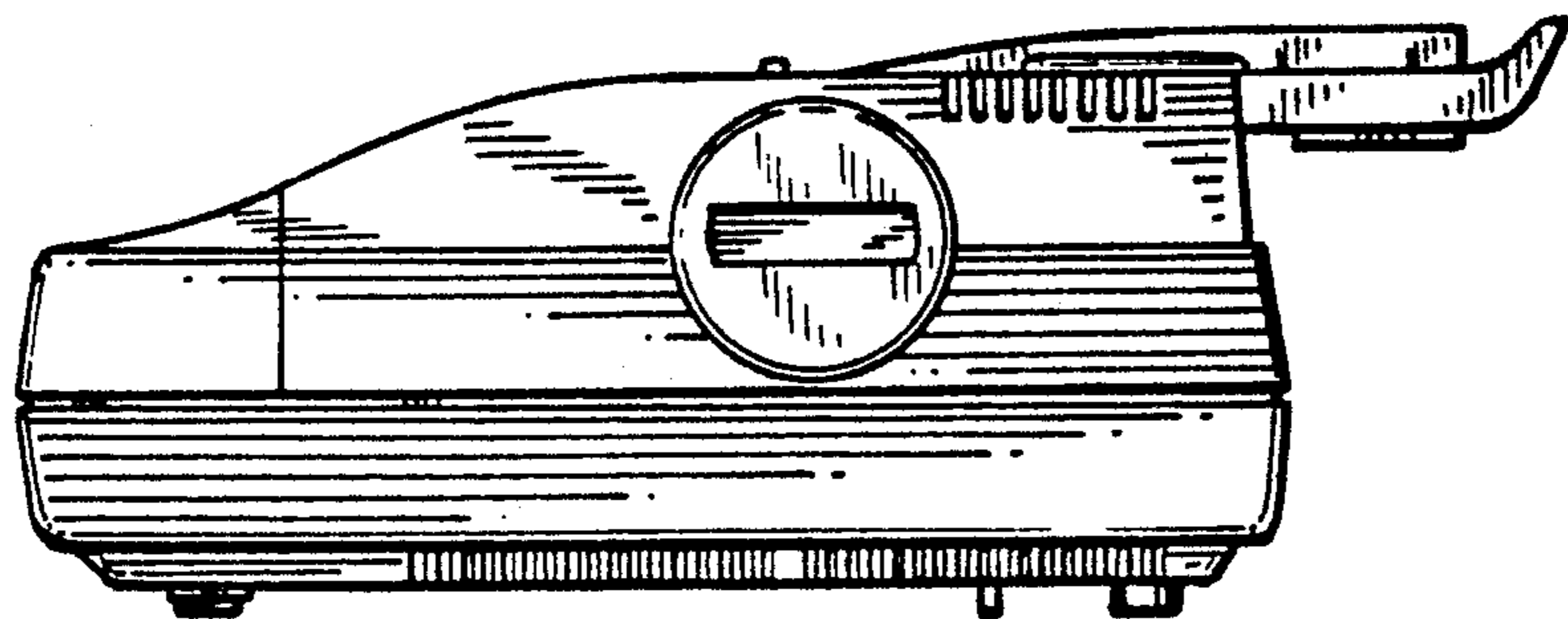


FIG. 3

FIG. 2

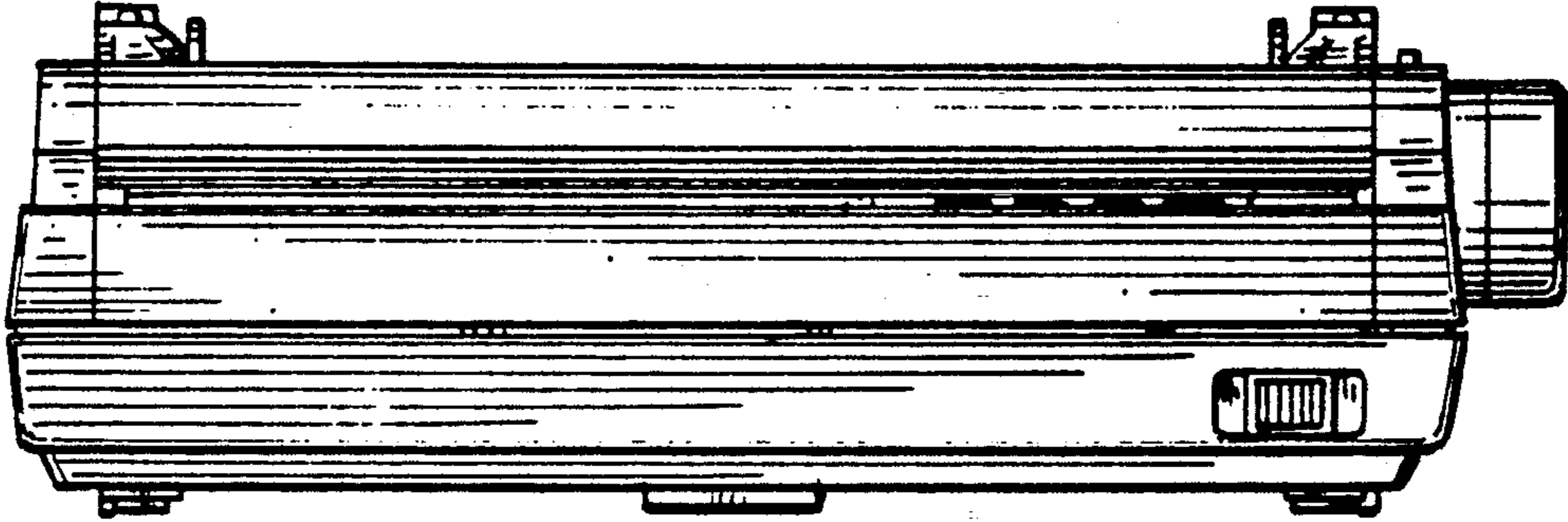


FIG. 4

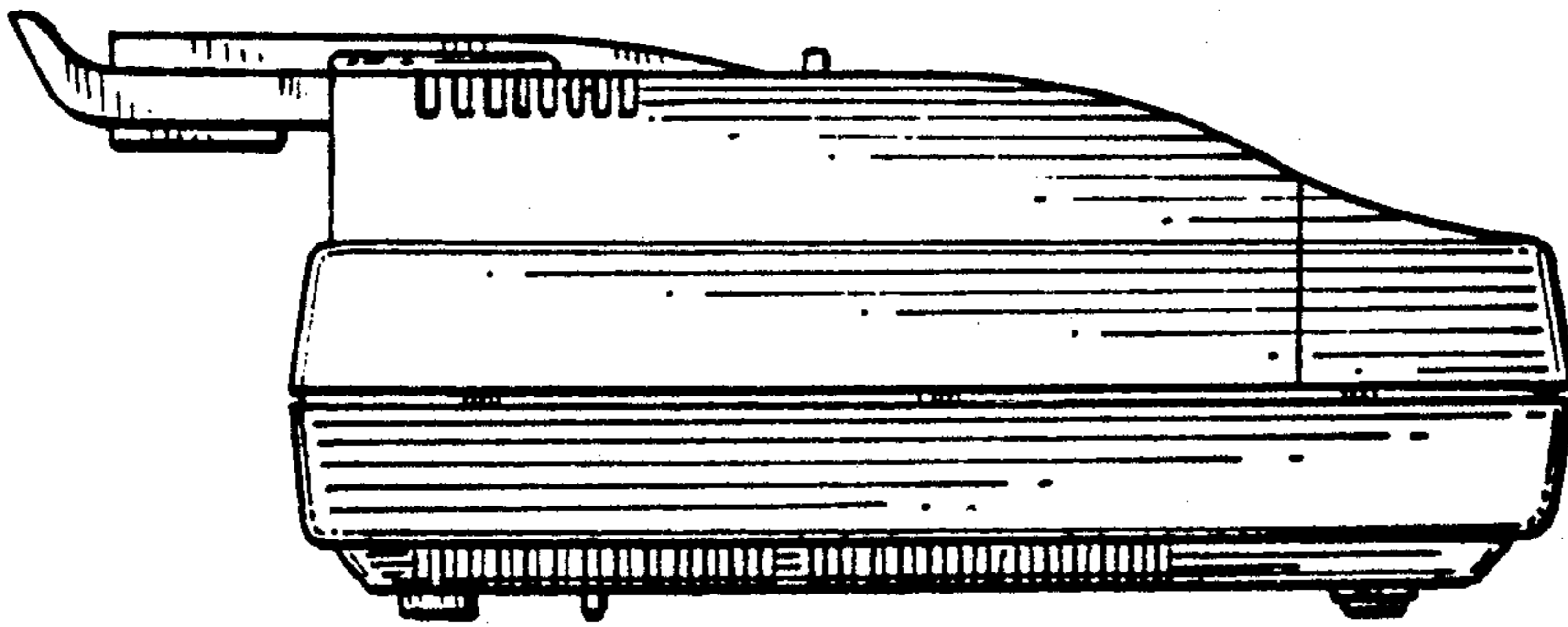


FIG. 5

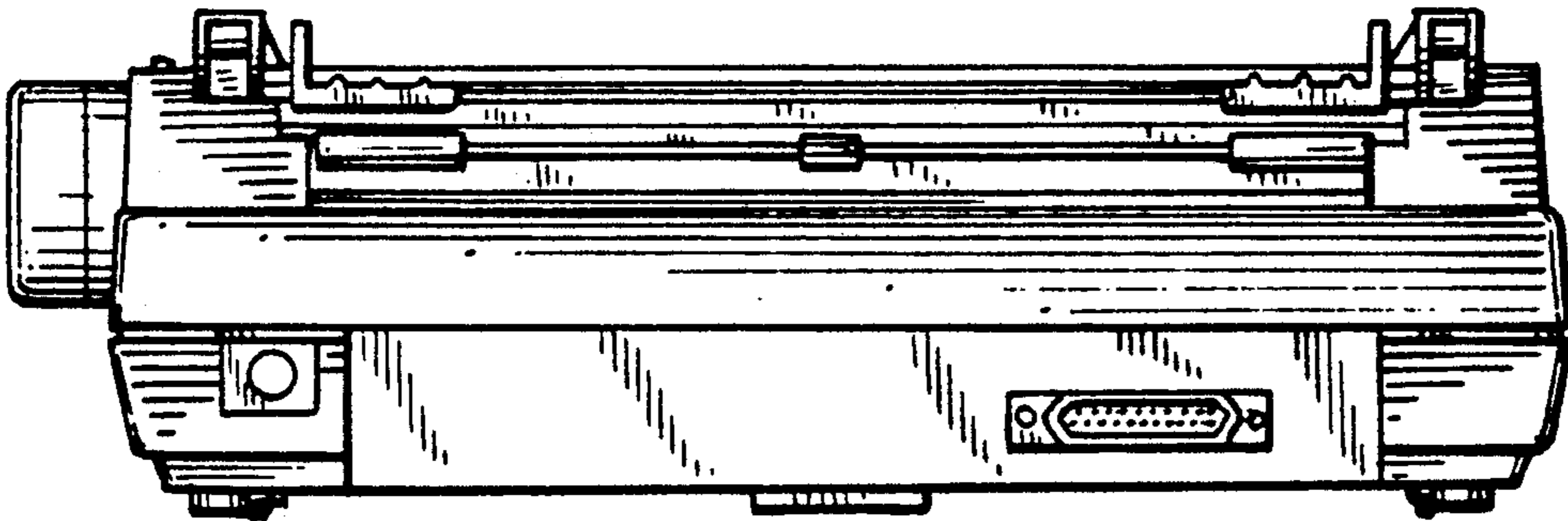


FIG. 6

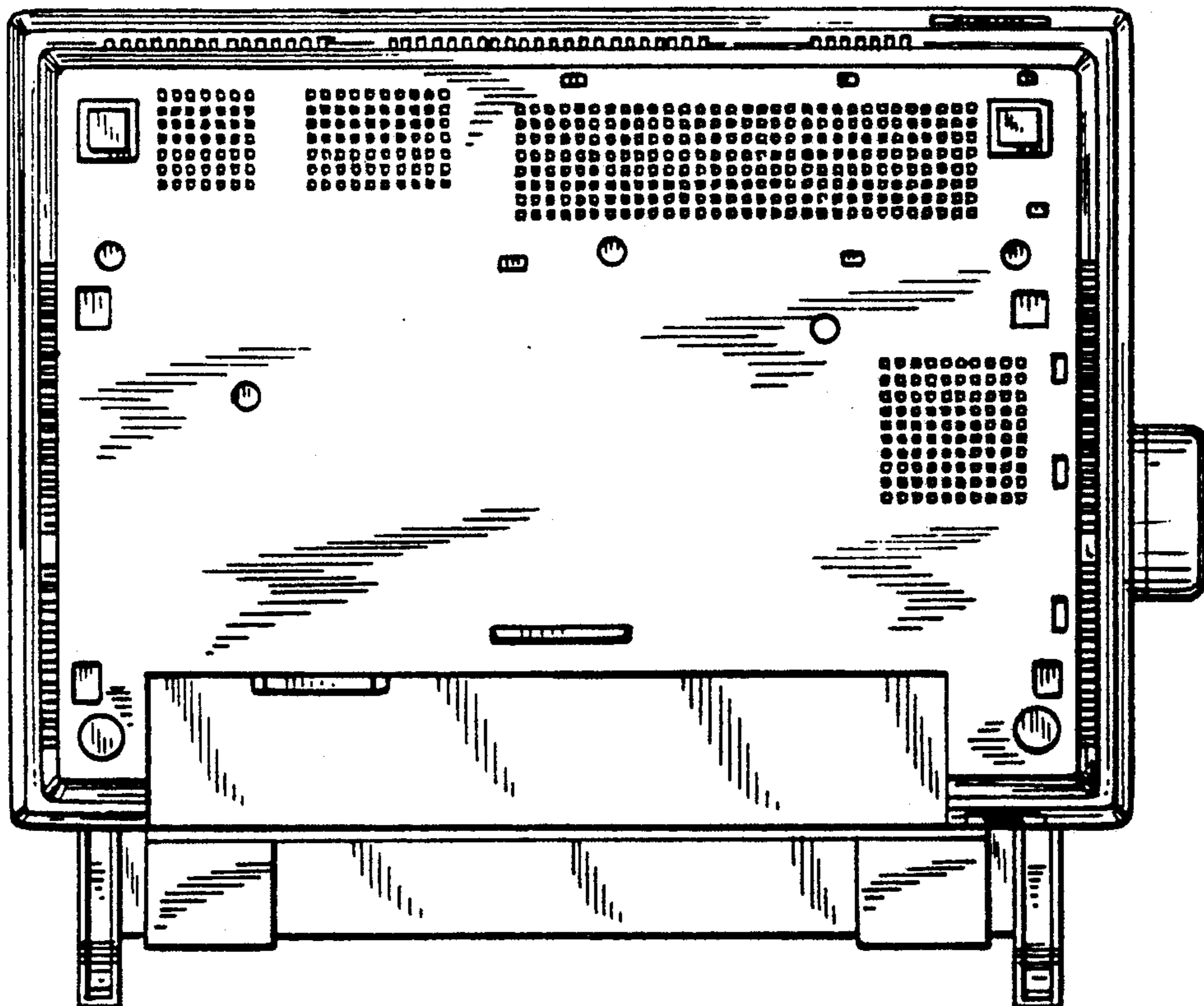


FIG. 7

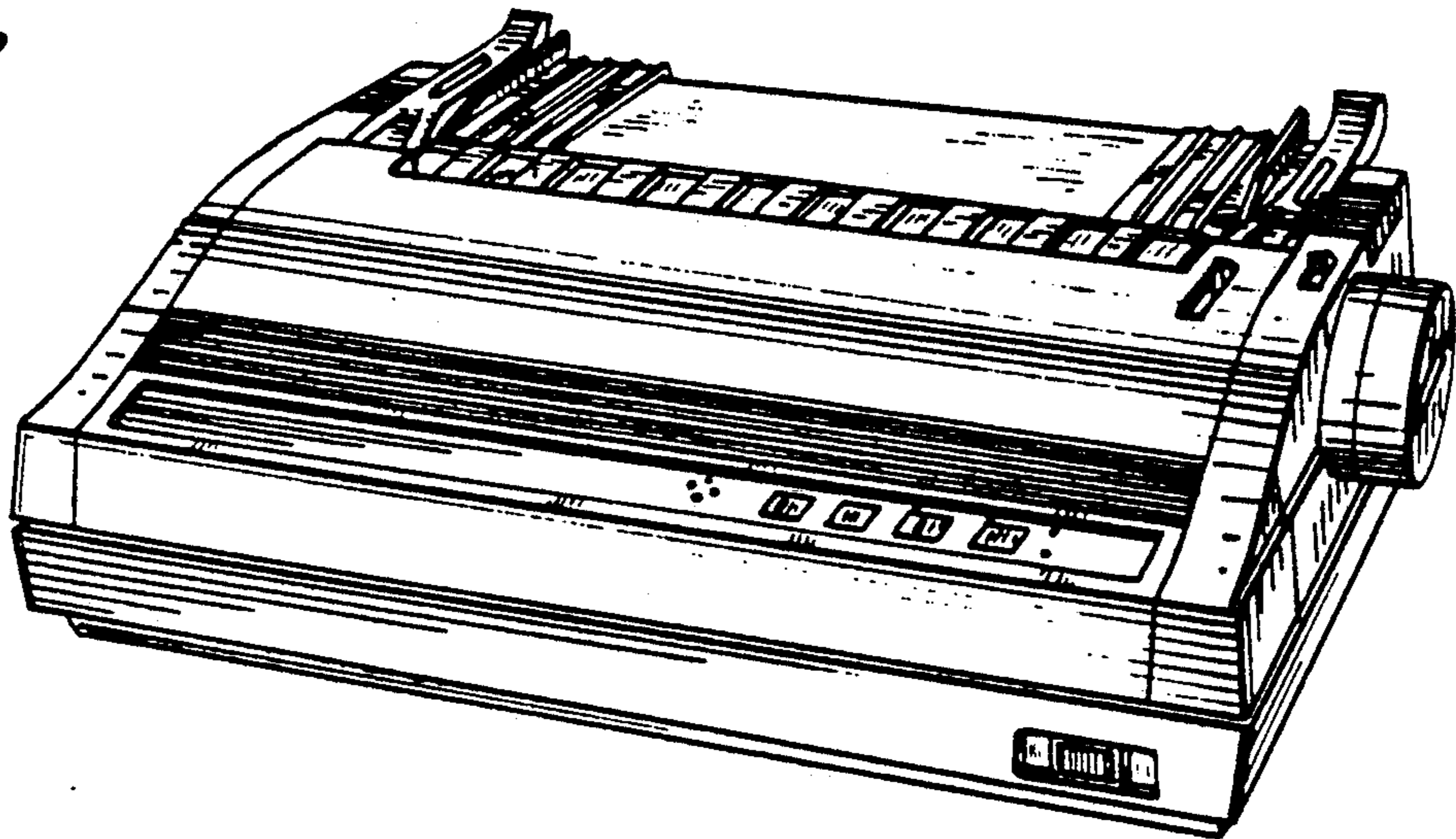
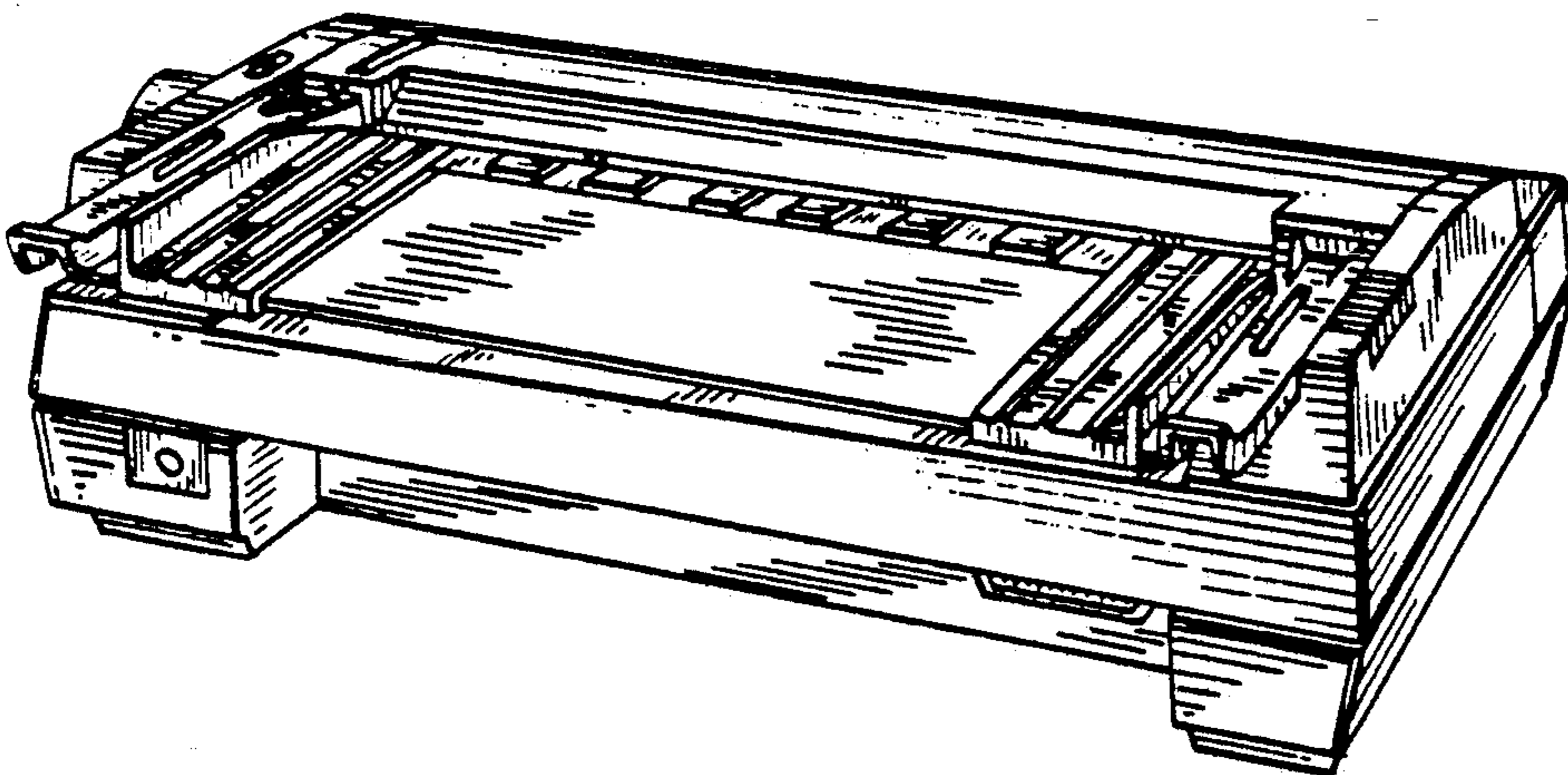


FIG. 8



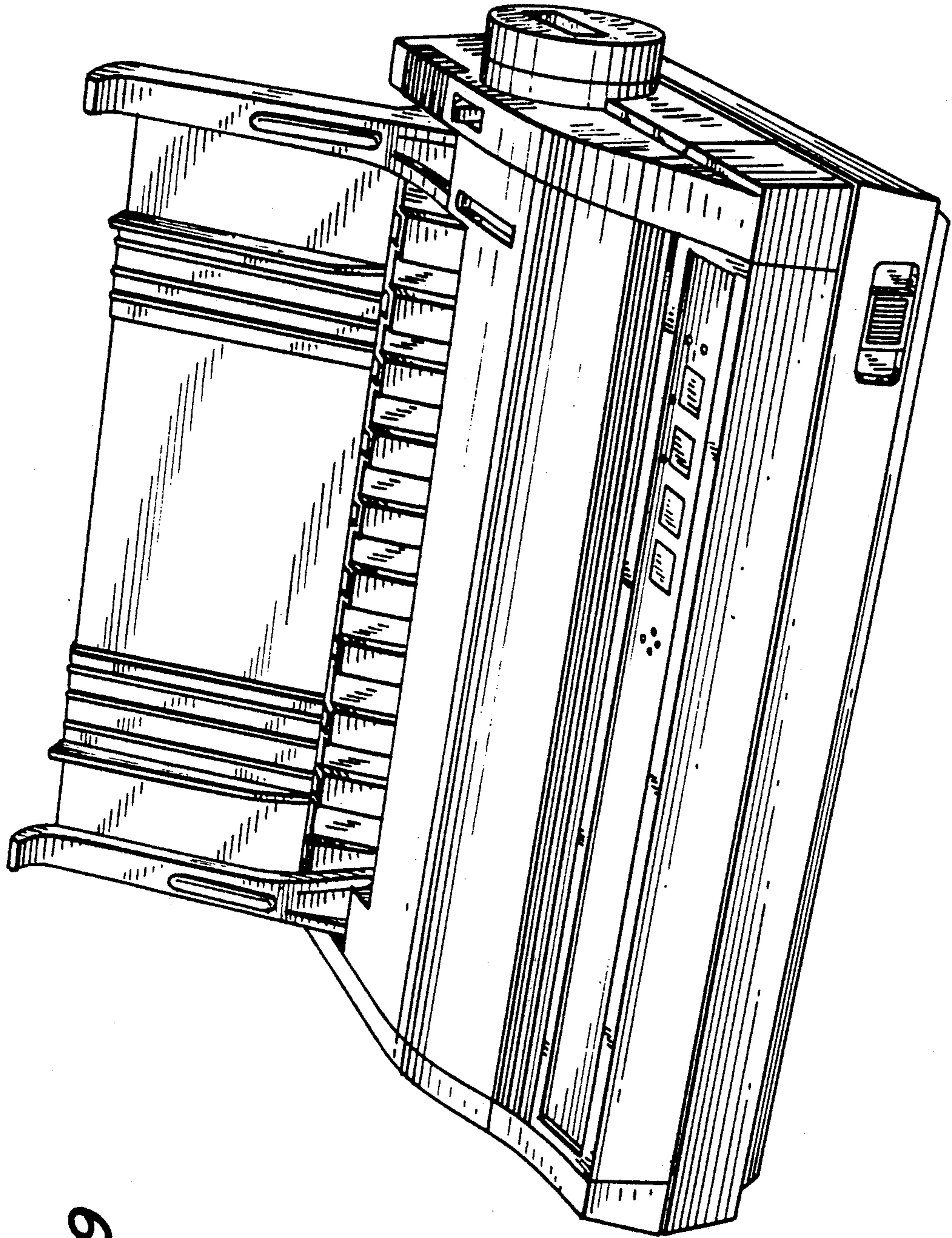


FIG. 9