



US00D331594S

United States Patent [19]

Hirose

[11] Patent Number: **Des. 331,594**

[45] Date of Patent: **** Dec. 8, 1992**

[54] TYPEWRITER

[75] Inventor: Tomoyuki Hirose, Osaka, Japan

[73] Assignee: Sharp Corporation, Osaka, Japan

[**] Term: 14 Years

[21] Appl. No.: 544,856

[22] Filed: Jun. 27, 1990

[30] Foreign Application Priority Data

Dec. 28, 1989 [JP] Japan 1-48246

[52] U.S. Cl. D18/1

[58] Field of Search D18/1, 2, 11; D14/100, D14/106, 113; 235/145 R, 145 A, 146; 312/208, 146; 340/700, 706, 711, 712; 341/20-23; 364/706-708; 400/83, 122, 109-111, 472, 485-486, 489, 690.2-694

[56] References Cited

U.S. PATENT DOCUMENTS

D. 273,501	4/1984	Kando et al.	D18/1
D. 291,323	8/1987	Kasagi et al.	D18/1
D. 313,811	1/1991	Sakaguchi et al.	D18/1
D. 315,570	3/1991	Krause et al.	D18/1
D. 316,867	5/1991	Sakaguchi	D18/1
4,859,091	8/1989	Ueda	400/83

Primary Examiner—Nelson C. Holtje

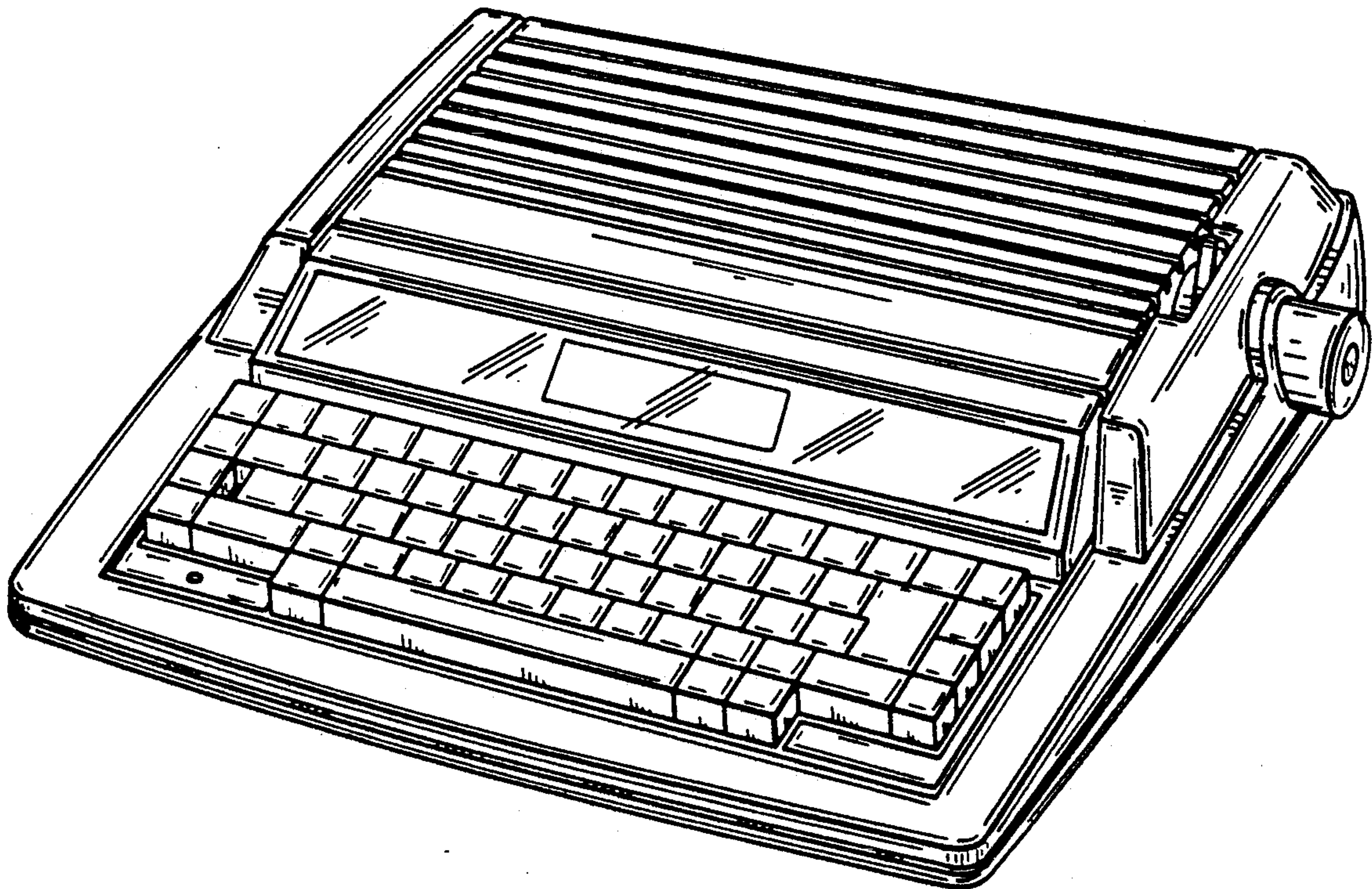
Assistant Examiner—Ann Hunt
Attorney, Agent, or Firm—Flehr, Hohbach, Test, Albritton & Herbert

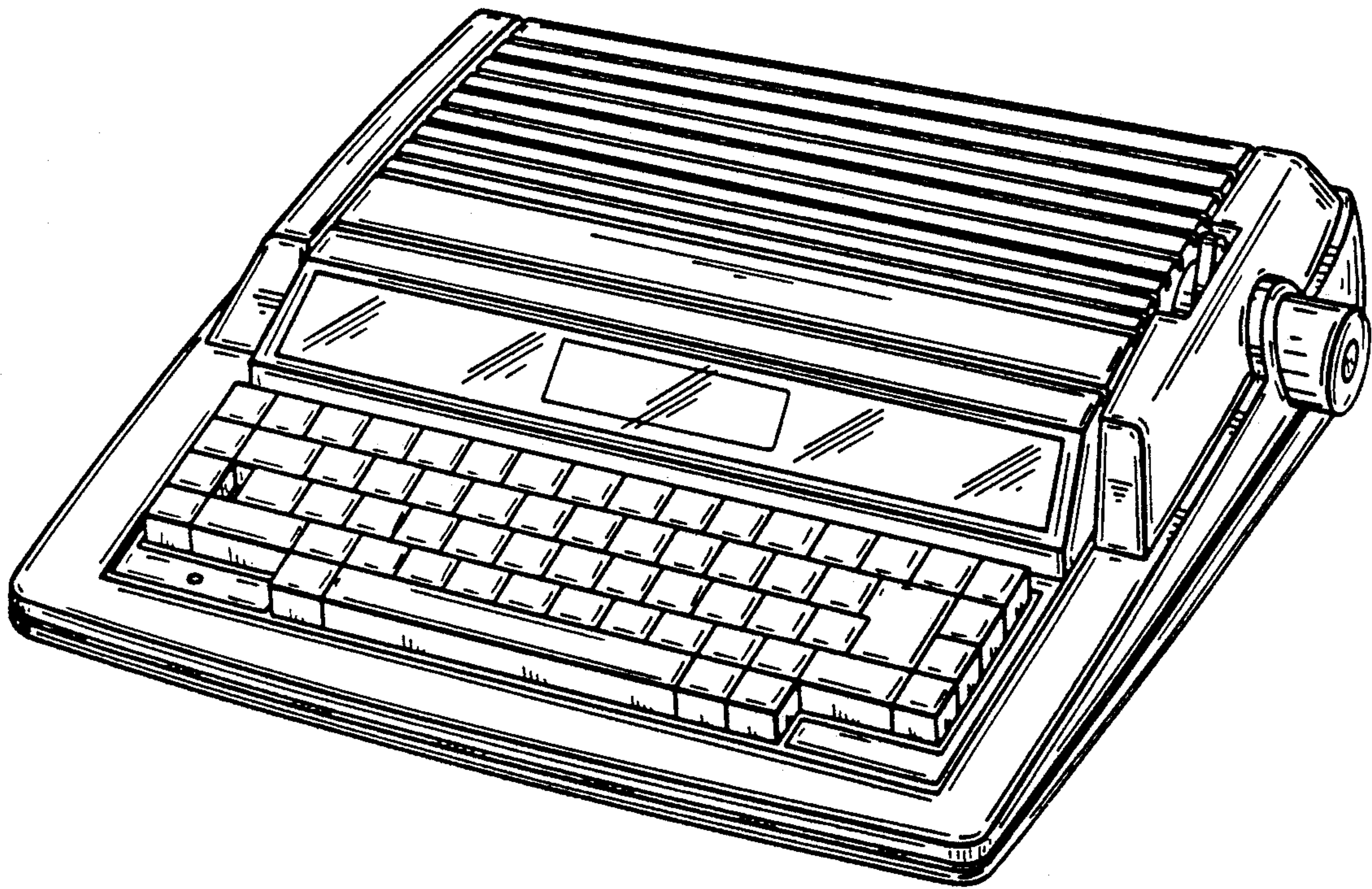
[57] CLAIM

The ornamental design for a typewriter, as shown and described.

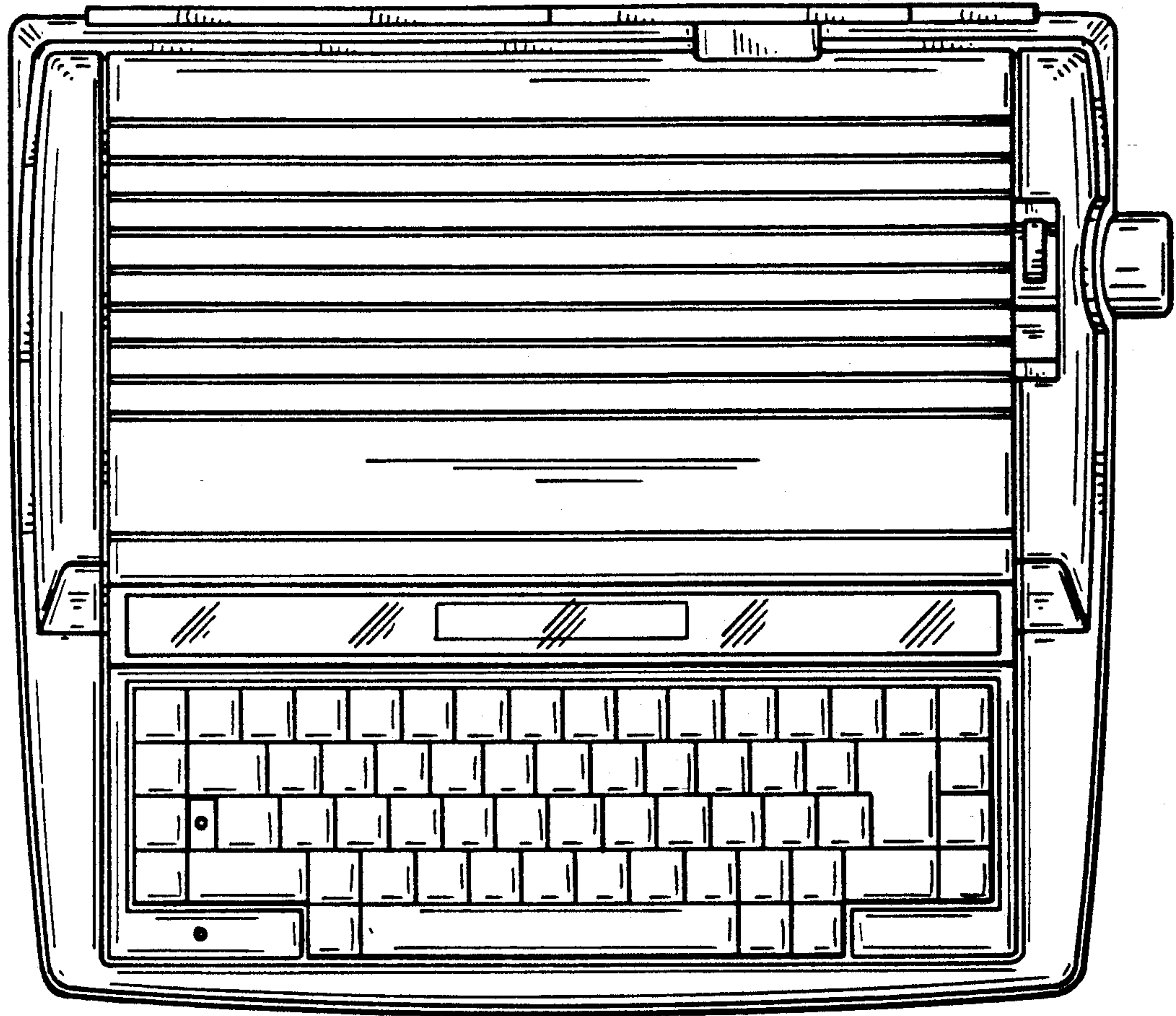
DESCRIPTION

FIG. 1 is a perspective view of a typewriter showing my new design with the key cover removed;
 FIG. 2 is a top plan view thereof with the key cover removed;
 FIG. 3 is a front elevational view thereof with the key cover removed;
 FIG. 4 is a top plan view thereof with the key cover on;
 FIG. 5 is a bottom plan view thereof;
 FIG. 6 is a front elevational view thereof with the key cover on;
 FIG. 7 is a rear elevational view thereof;
 FIG. 8 is a right side elevational view thereof with the key cover on;
 FIG. 9 is a left side elevational view thereof with the cover on;
 FIG. 10 is a right side elevational view thereof with the key cover removed; and,
 FIG. 11 is a left side elevational view with the key cover removed.

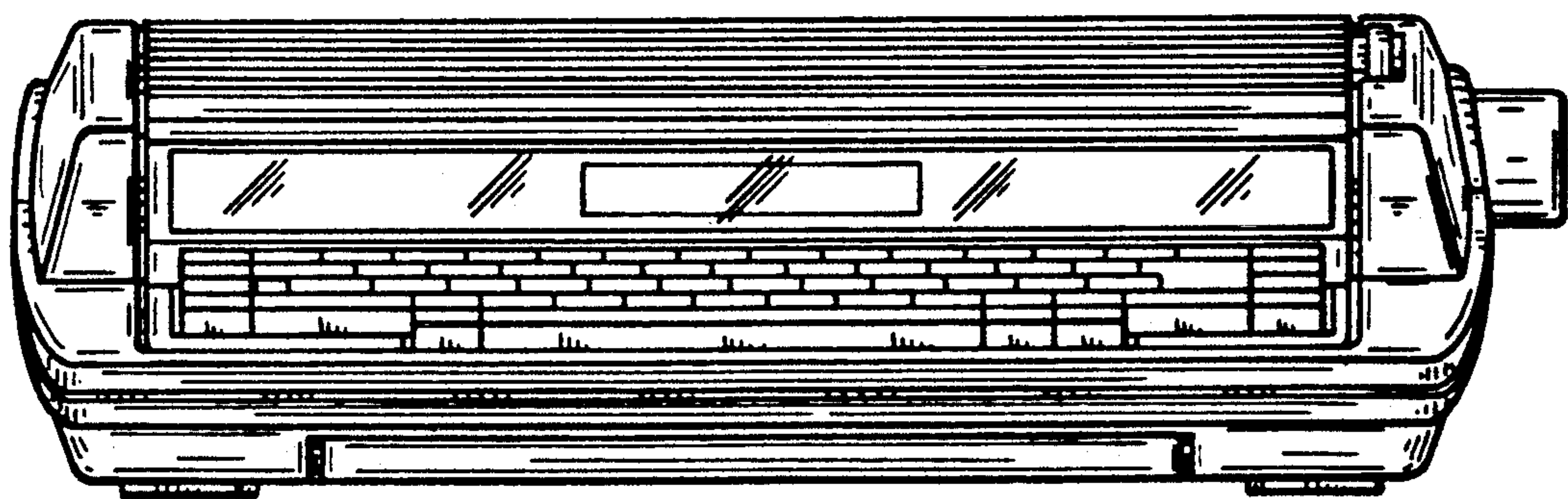




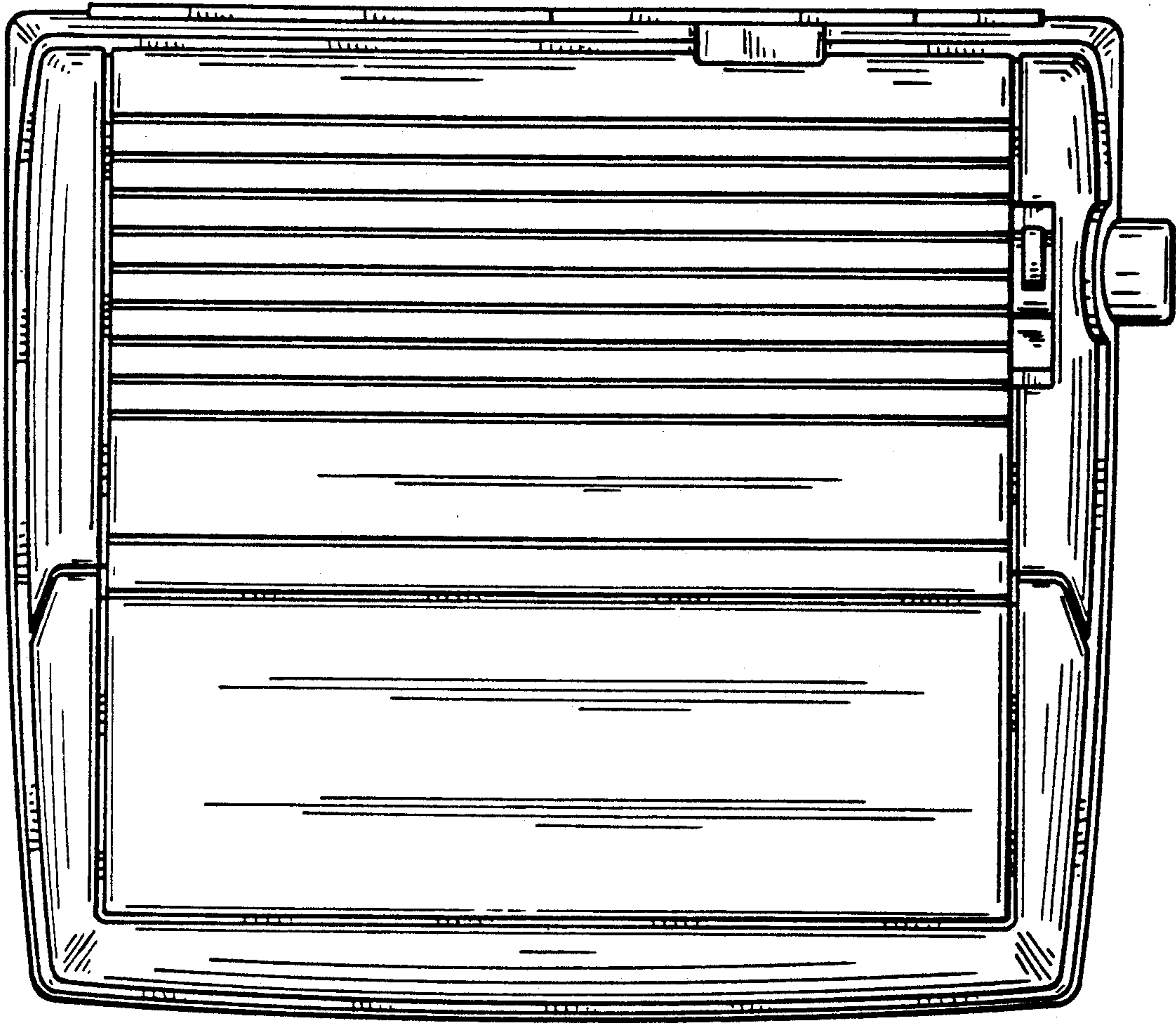
FIG_1



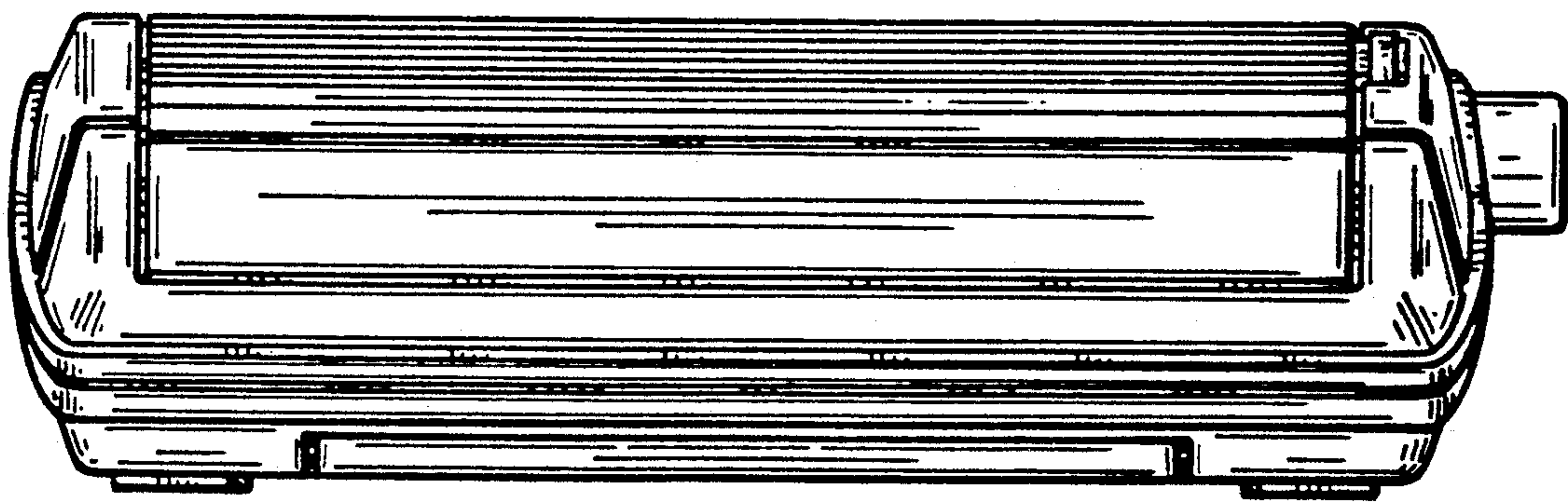
FIG_2



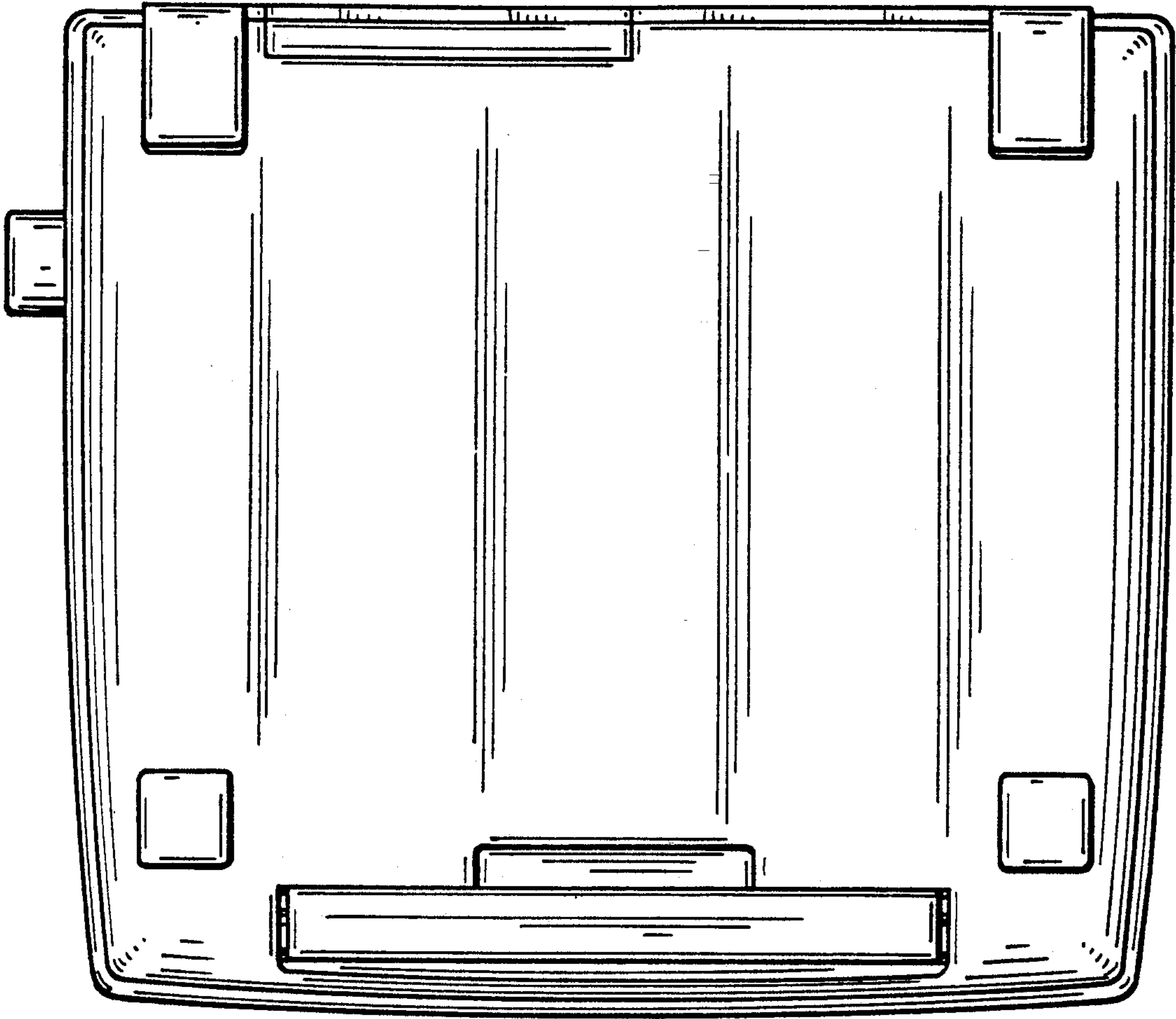
FIG_3



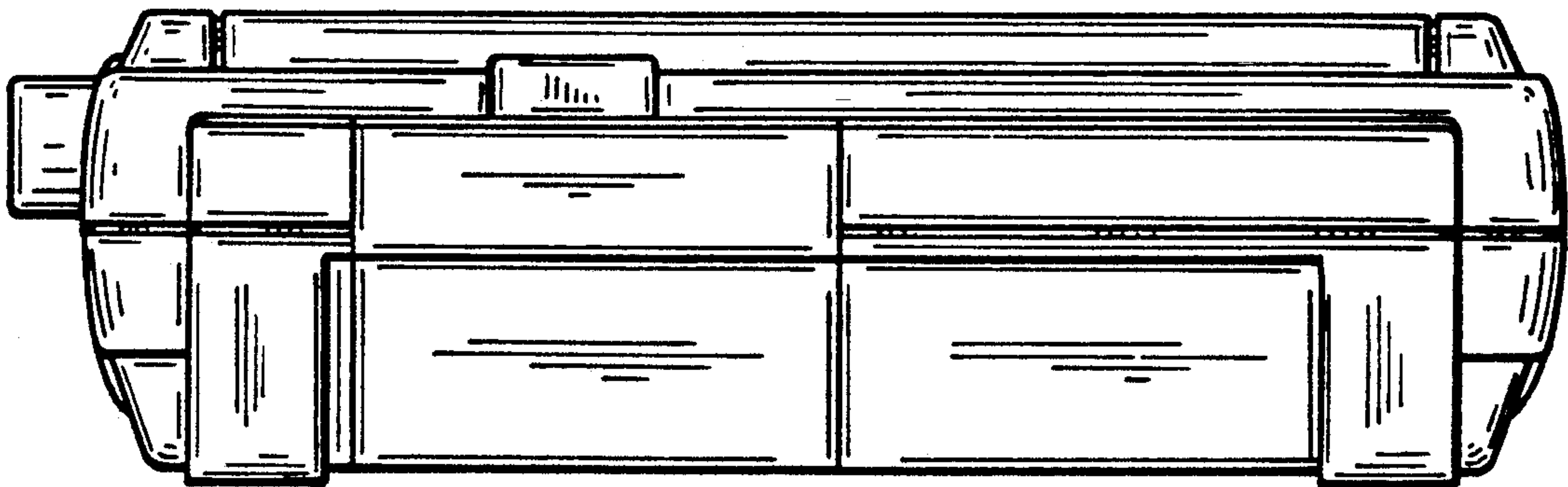
FIG_4



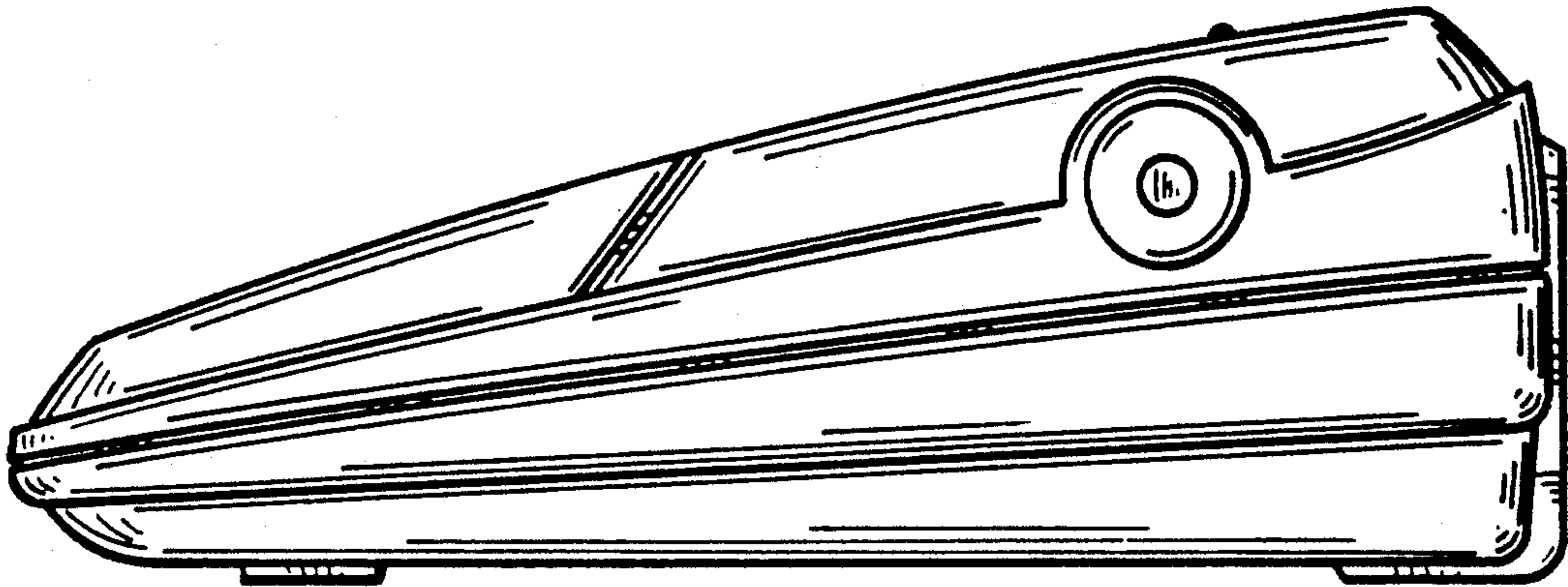
FIG_6



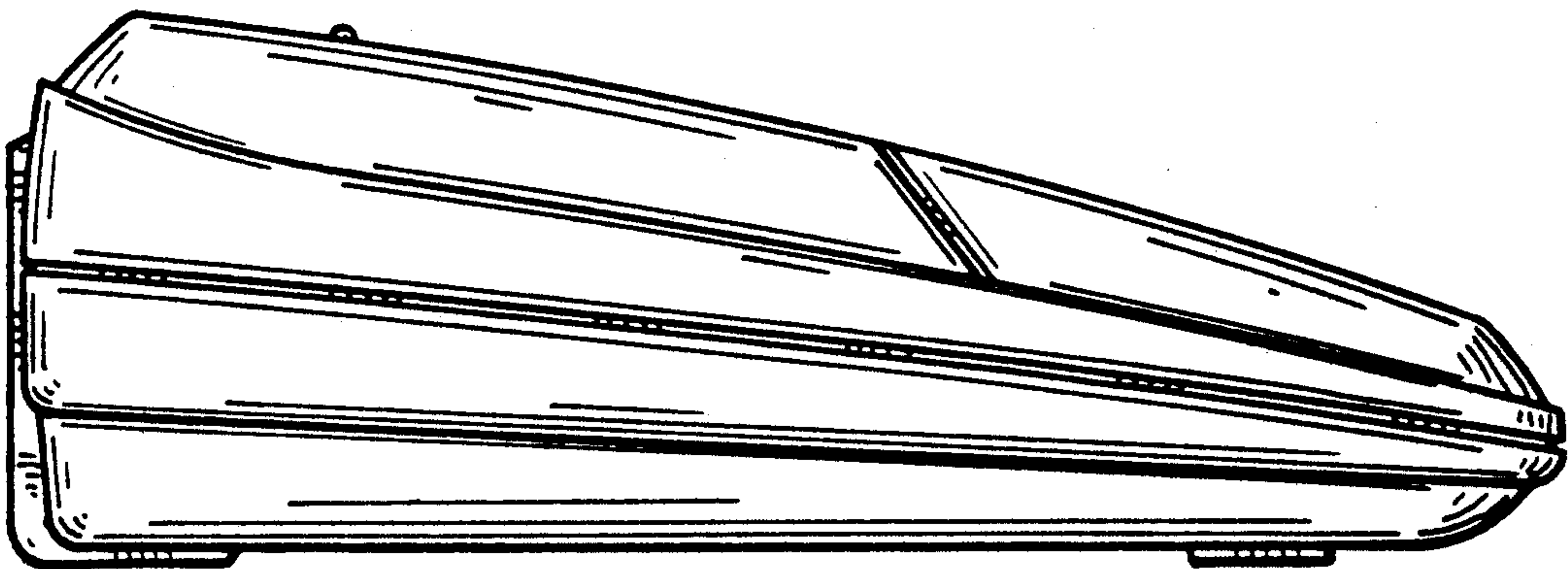
FIG_5



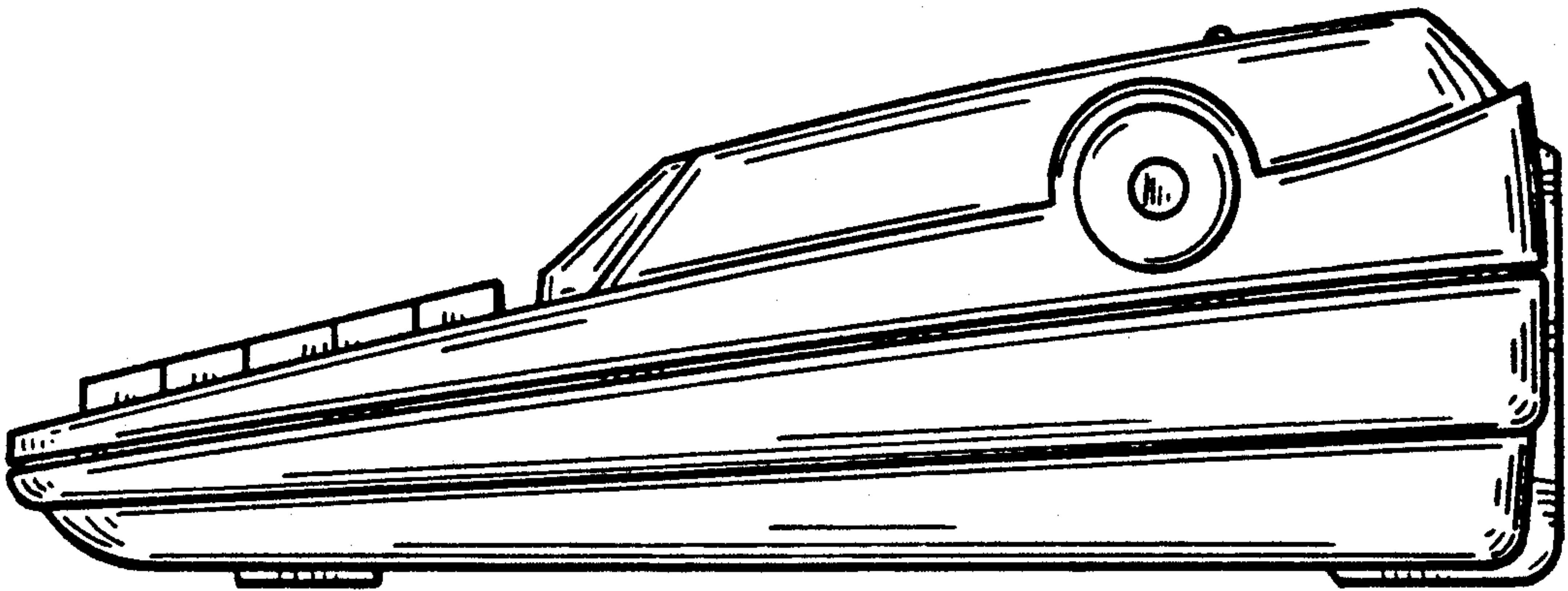
FIG_7



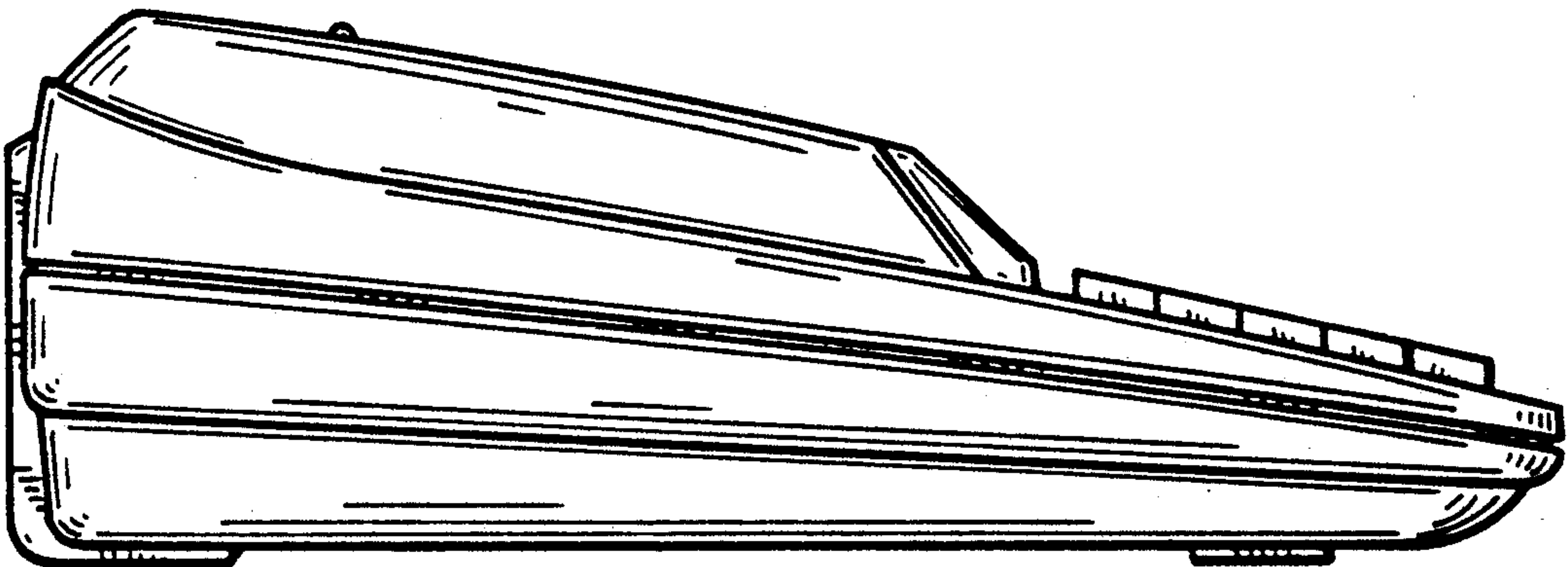
FIG_8



FIG_9



FIG_10



FIG_11