



US00D331592S

United States Patent [19]

[11] Patent Number: **Des. 331,592**

Ooi et al.

[45] Date of Patent: **** Dec. 8, 1992**

[54] **COMBINED VIDEO TAPE RECORDER AND TELEVISION CAMERA**

[75] Inventors: **Hiroshi Ooi; Sho Okamura**, both of Osaka, Japan

[73] Assignee: **Sharp Corporation**, Osaka, Japan

[**] Term: **14 Years**

[21] Appl. No.: **543,175**

[22] Filed: **Jun. 25, 1990**

[30] **Foreign Application Priority Data**

Dec. 28, 1989 [JP] Japan 1-48245

[52] U.S. Cl. **D16/202**

[58] Field of Search **D16/200, 202, 203-205, D16/208; 352/34, 242, 243; 354/82, 293; 358/229, 906**

[56] **References Cited**

U.S. PATENT DOCUMENTS

- D. 285,683 9/1986 Shibata D16/202
- D. 298,134 10/1988 Mori D16/202
- D. 316,718 5/1991 Shim D16/202
- D. 317,457 6/1991 Ooi et al. D16/202
- 4,623,931 11/1986 Inaga et al. 358/229

OTHER PUBLICATIONS

- Video Review, Nov. 1987 p. 58.
- Video Review, Mar. 1986 p. 40 (Canon's Canovision 8 Camera).
- Video Review, Dec. 1988 p. 38.

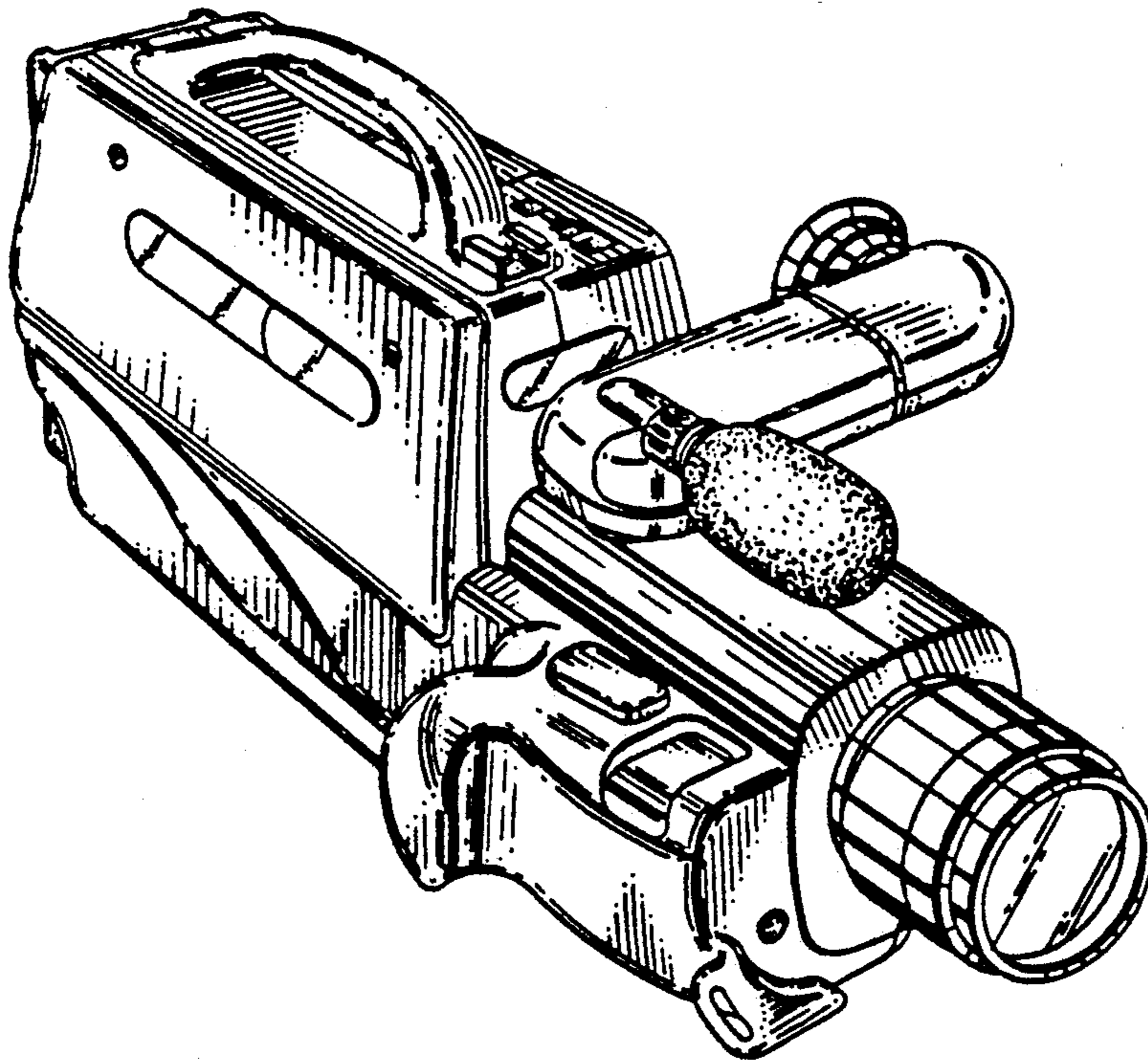
Primary Examiner—Bernard Ansher
Assistant Examiner—Adir Aronovich
Attorney, Agent, or Firm—Flehr, Hohbach, Test, Albritton & Herbert

[57] **CLAIM**

The ornamental design for a combined video tape recorder and television camera, as shown and described.

DESCRIPTION

FIG. 1 is a perspective view of a combined video tape recorder and television camera showing the new design;
FIG. 2 is a front elevational view thereof;
FIG. 3 is a rear elevational view thereof;
FIG. 4 is a right side elevational view thereof;
FIG. 5 is a left side elevational view thereof;
FIG. 6 is a top plan view thereof;
FIG. 7 is a bottom plan view thereof; and,
FIG. 8 is a top plan view thereof, with the cover removed.



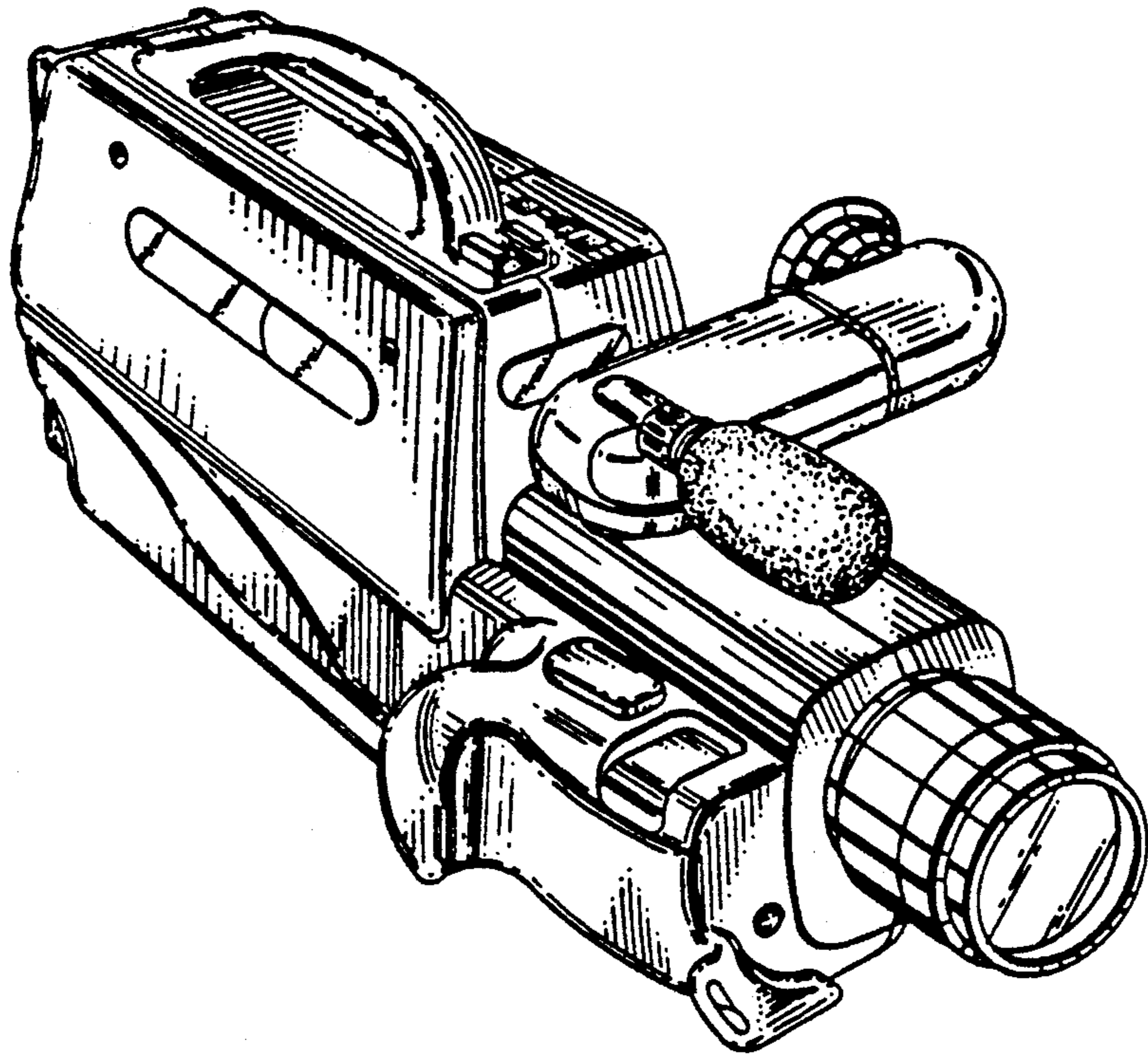


FIG. - 1

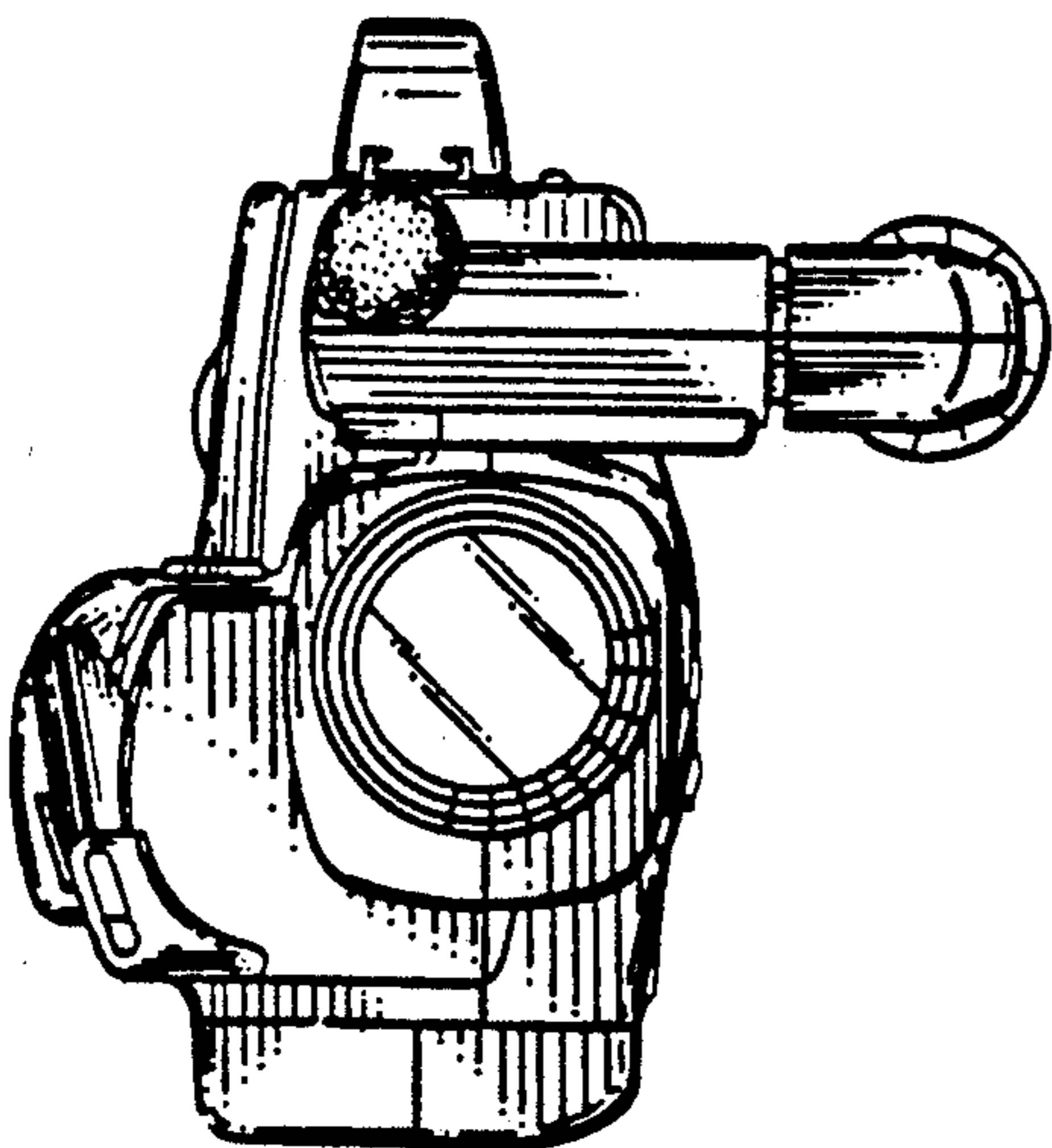


FIG. - 2

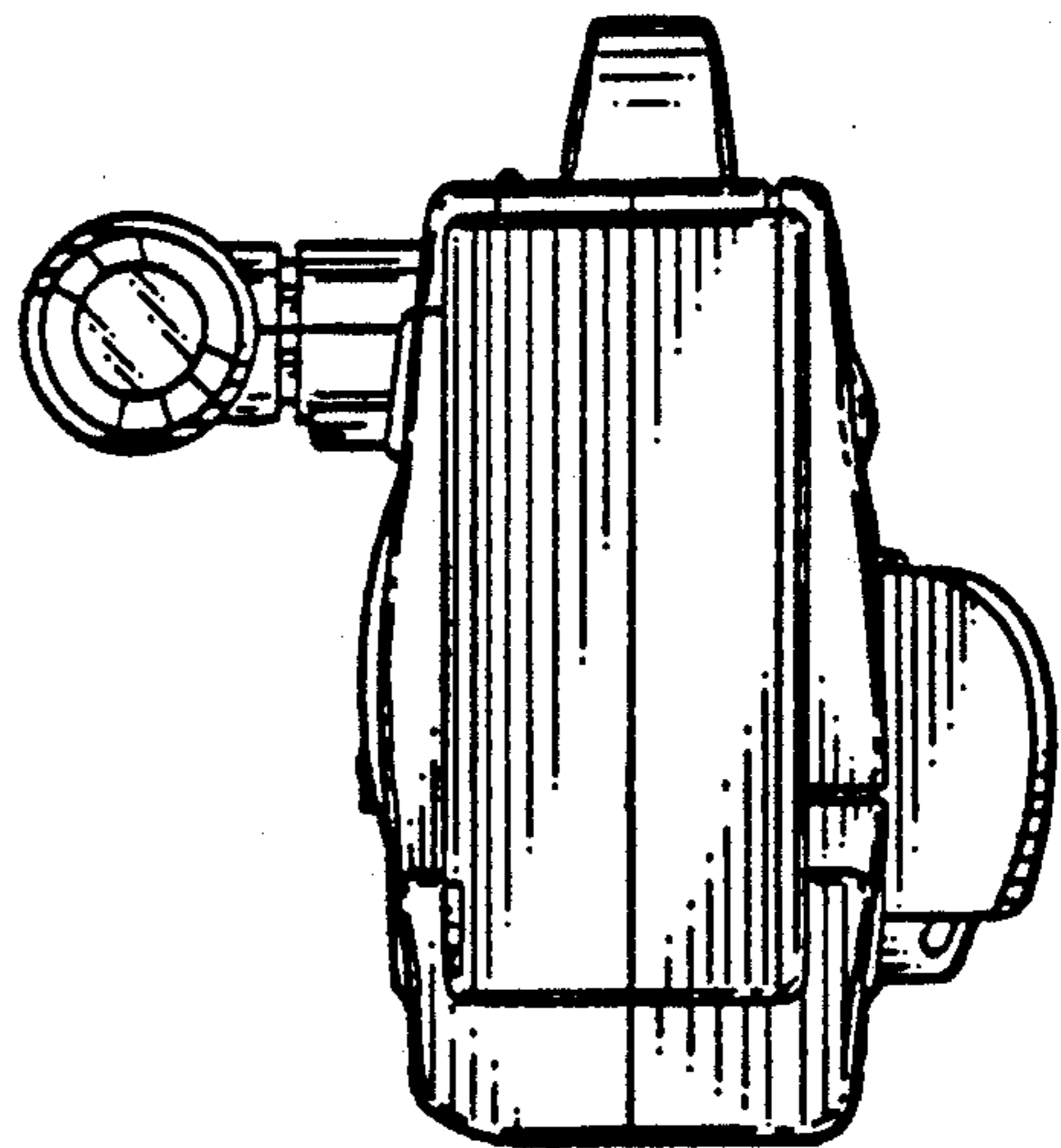


FIG. - 3

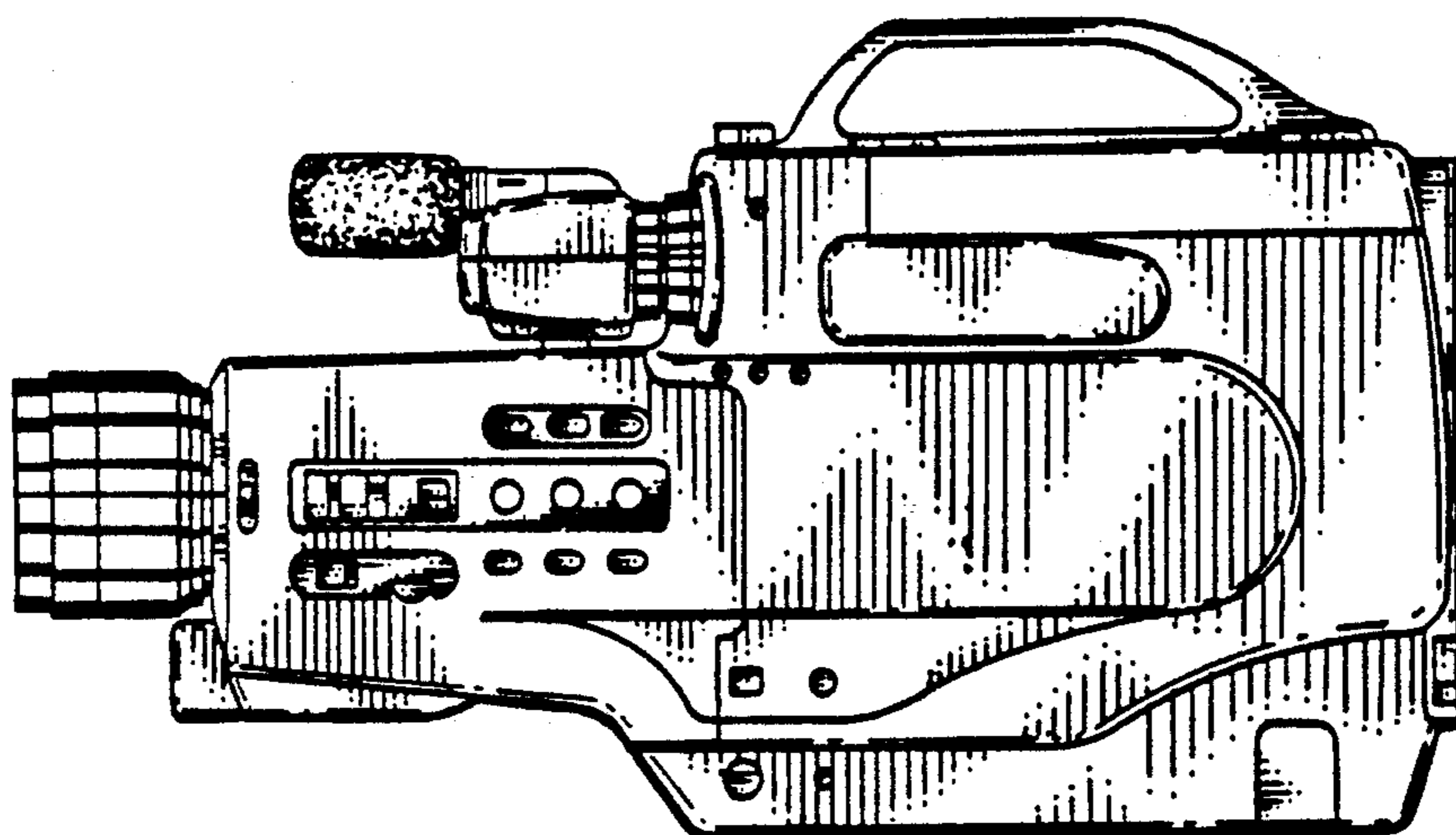


FIG. -4

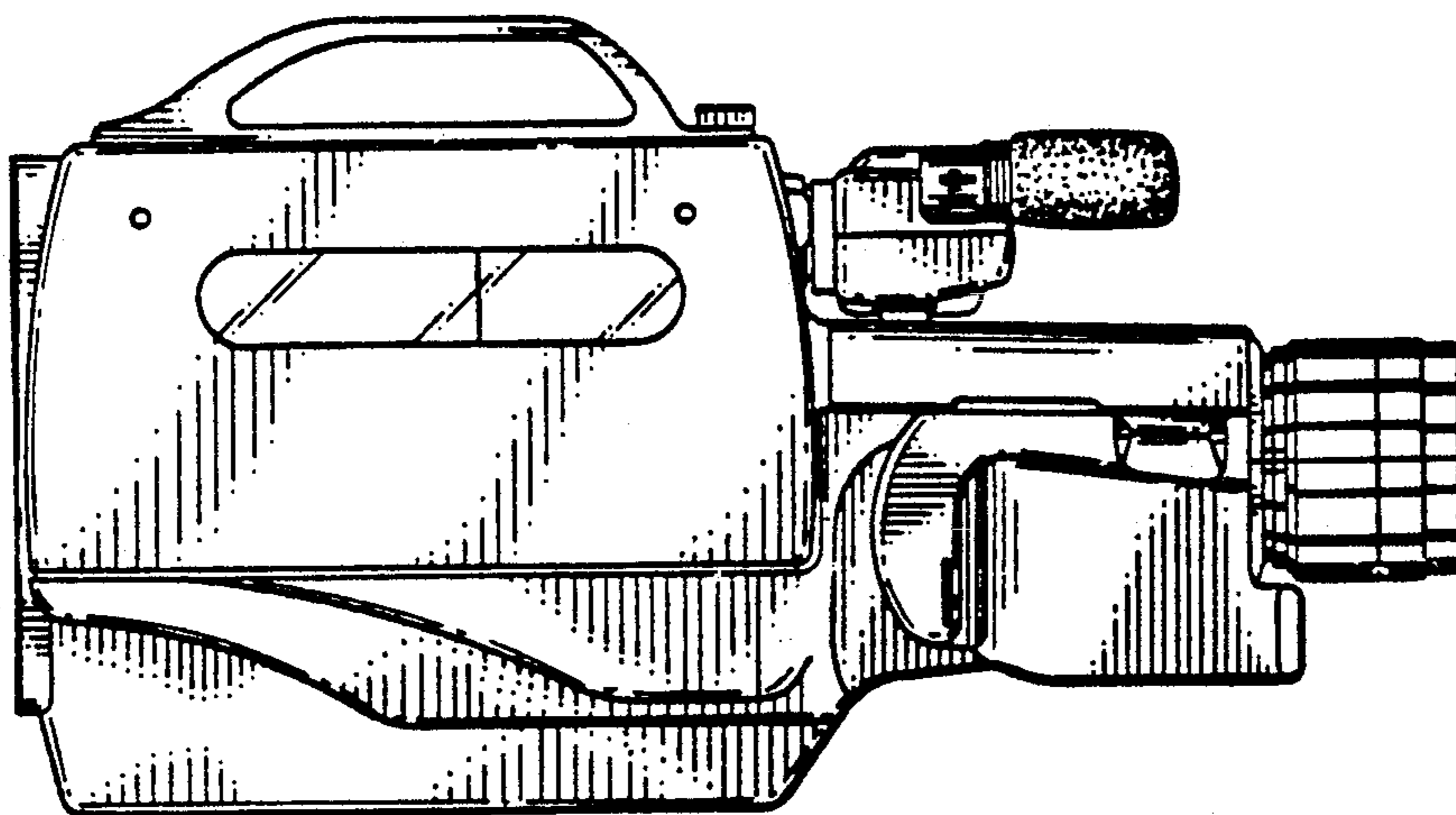


FIG. -5

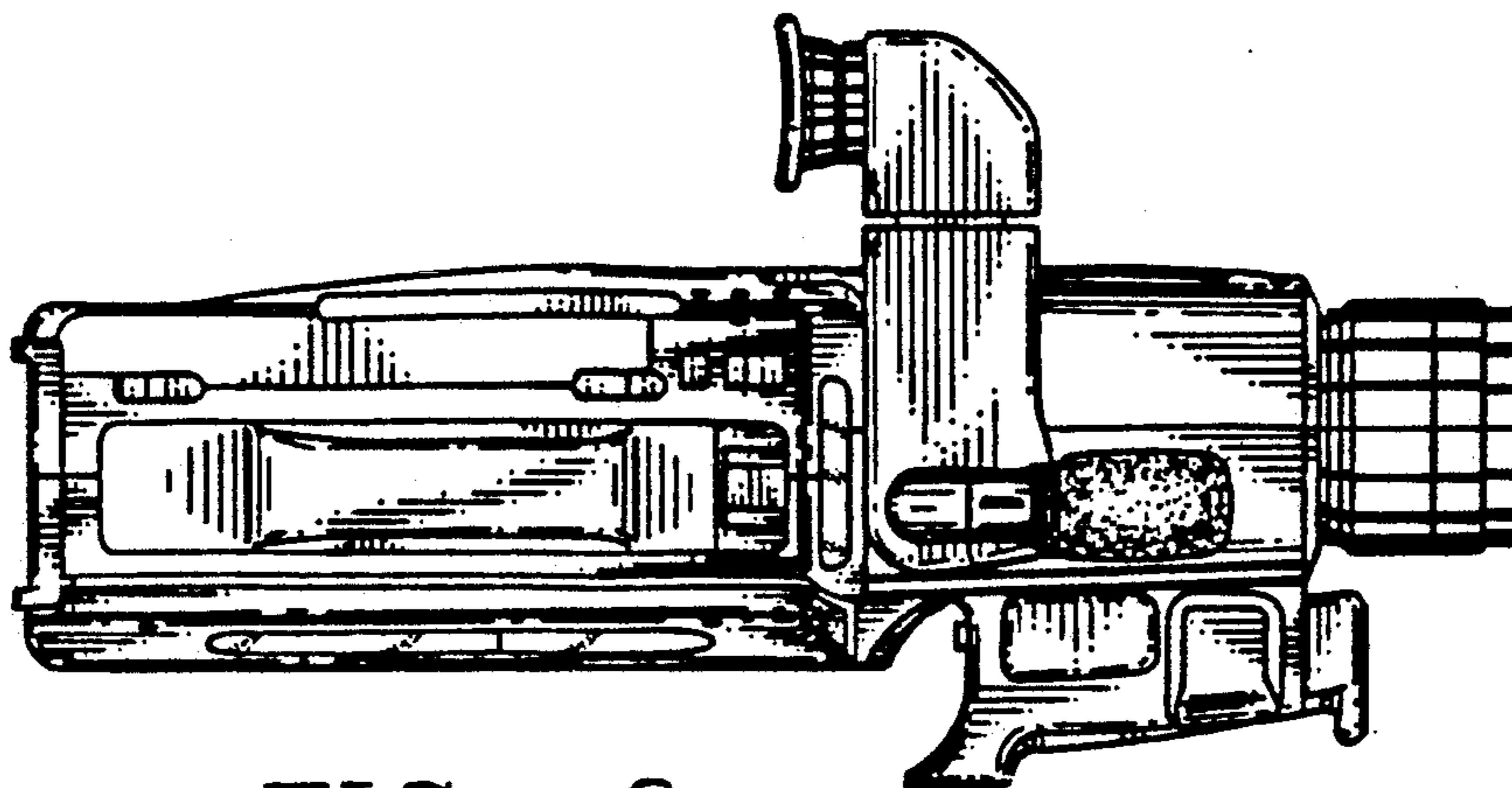


FIG. -6

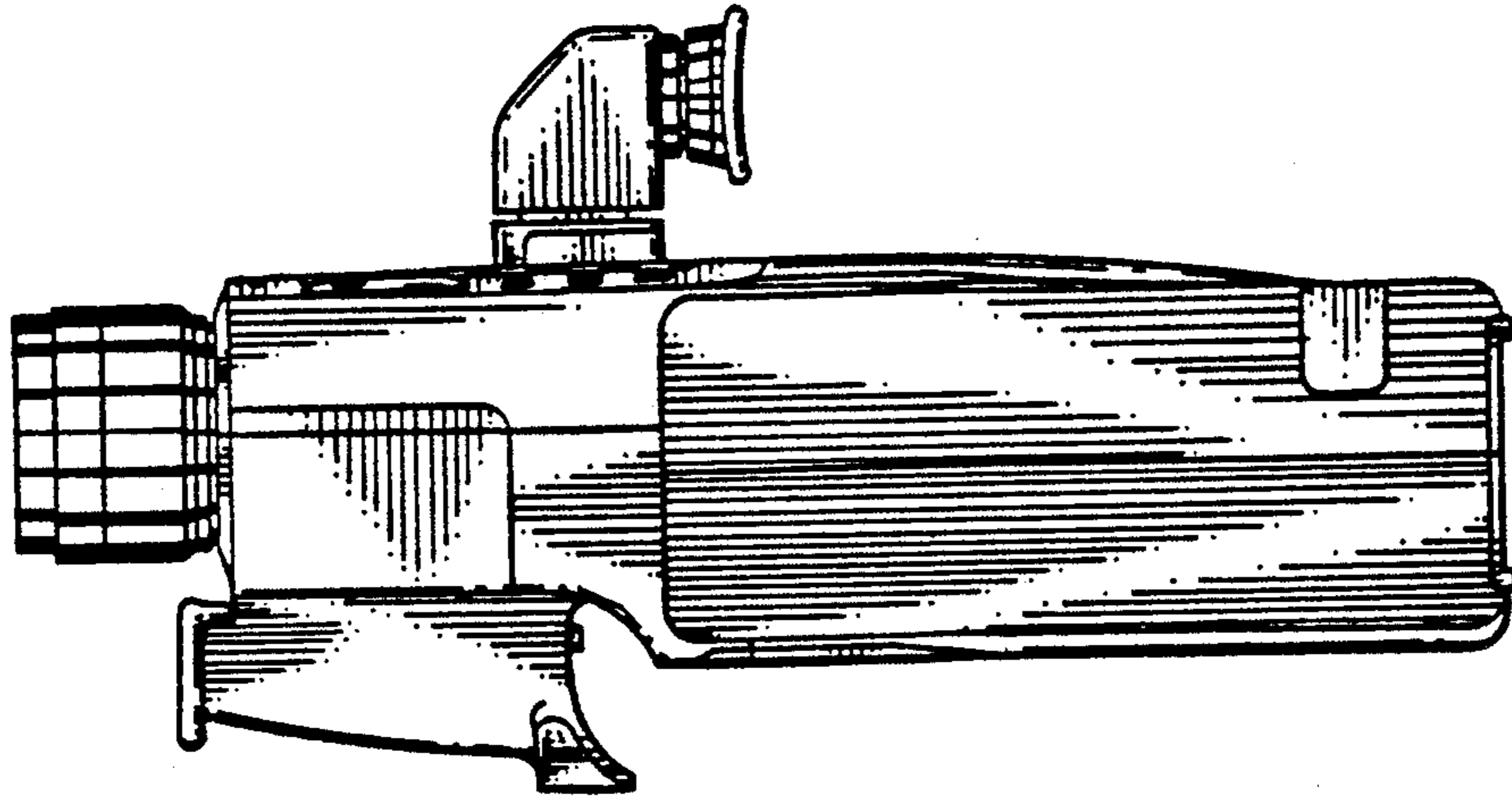


FIG. -7

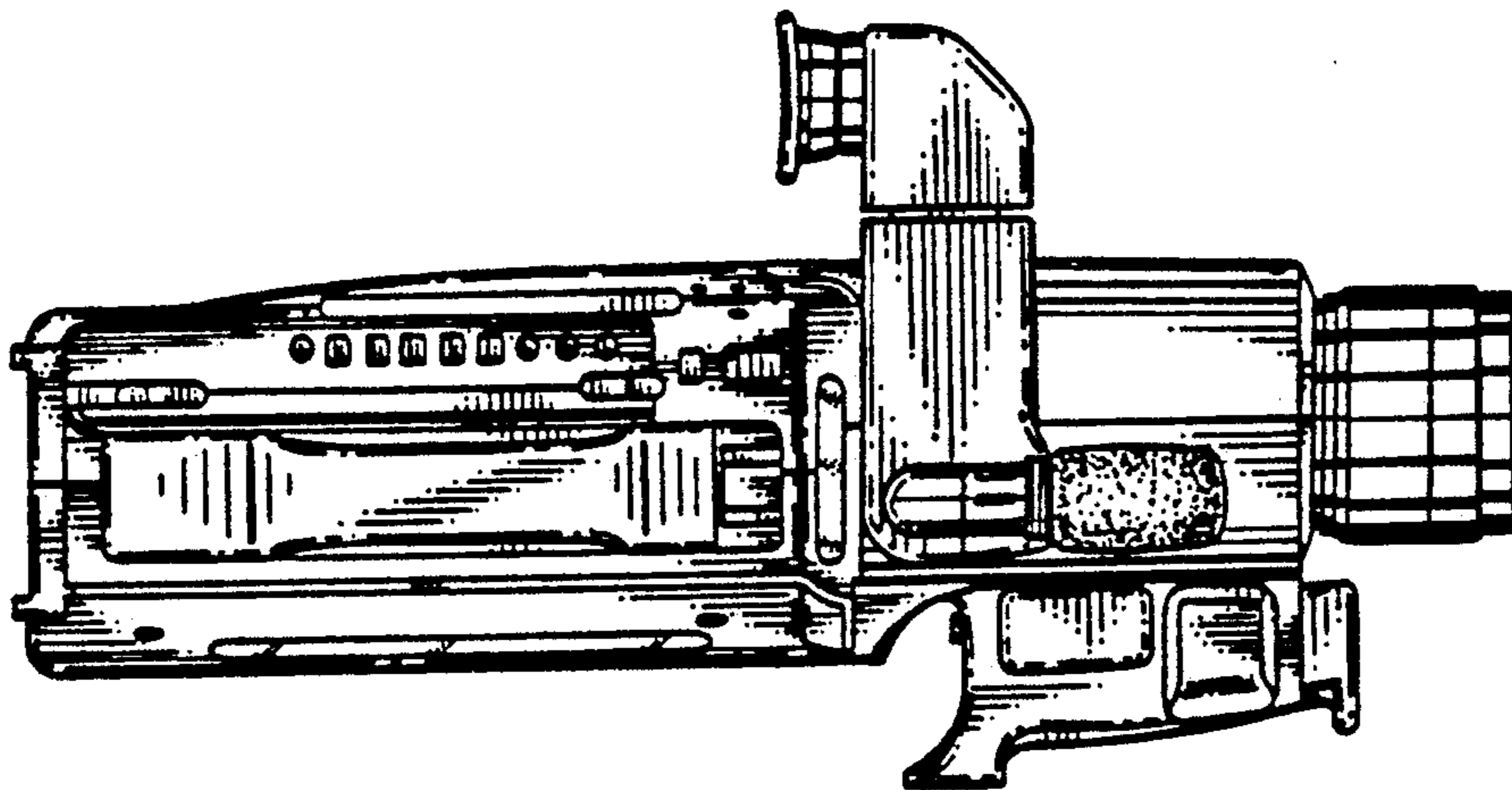


FIG. -8