



US00D331591S

United States Patent [19]

Horiuchi et al.

[11] Patent Number: **Des. 331,591**

[45] Date of Patent: **** Dec. 8, 1992**

[54] CAMERA

[75] Inventors: **Hiroshi Horiuchi; Takeyoshi Iguchi,**
both of Tokyo, Japan

[73] Assignee: **Konica Corporation, Japan**

[**] Term: **14 Years**

[21] Appl. No.: **544,493**

[22] Filed: **Jun. 27, 1990**

[30] Foreign Application Priority Data

Dec. 28, 1989 [JP] Japan 47699

[52] U.S. Cl. **D16/209; D16/200**

[58] Field of Search **D16/200, 202, 203, 204,**
D16/205, 208, 209, 216-218; D9/432; 354/126,
127.11, 149.11, 202, 288

[56] References Cited

U.S. PATENT DOCUMENTS

D. 285,450 9/1986 Soda D16/209

D. 296,333 6/1988 Inoue D16/209

D. 313,937 1/1991 Arai D9/432

D. 318,677 7/1991 Horikiri D16/209

4,801,960 1/1989 Hansen 354/288

4,866,470 9/1989 Arai et al. 354/288

OTHER PUBLICATIONS

Hong Kong Enterprise, Nov. 1987, p. 313 (EI-35F; Elite Camera).

Hong Kong Enterprise, Mar. 1989 (Roleal 35F Camera).

Evans Catalog, 1988-1989 p. 305y [ANSCO(Item 1) Image 35 MM Camera].

Primary Examiner—Bernard Ansher

Assistant Examiner—Adir Aronovich

Attorney, Agent, or Firm—Finnegan, Henderson,

Farabow, Garrett & Dunner

[57] CLAIM

The ornamental design for a camera, as shown and described.

DESCRIPTION

FIG. 1 is a top, front and right side perspective view of a camera showing our new design;

FIG. 2 is a bottom, rear, and left side perspective view thereof;

FIG. 3 is a front elevational view thereof;

FIG. 4 is a rear elevational view thereof;

FIG. 5 is a right side elevational view thereof;

FIG. 6 is a left side elevational view thereof;

FIG. 7 is a top plan view thereof;

FIG. 8 is a bottom plan view thereof; and,

FIG. 9 is a front elevational view thereof, a flash-button shown in an operational position.

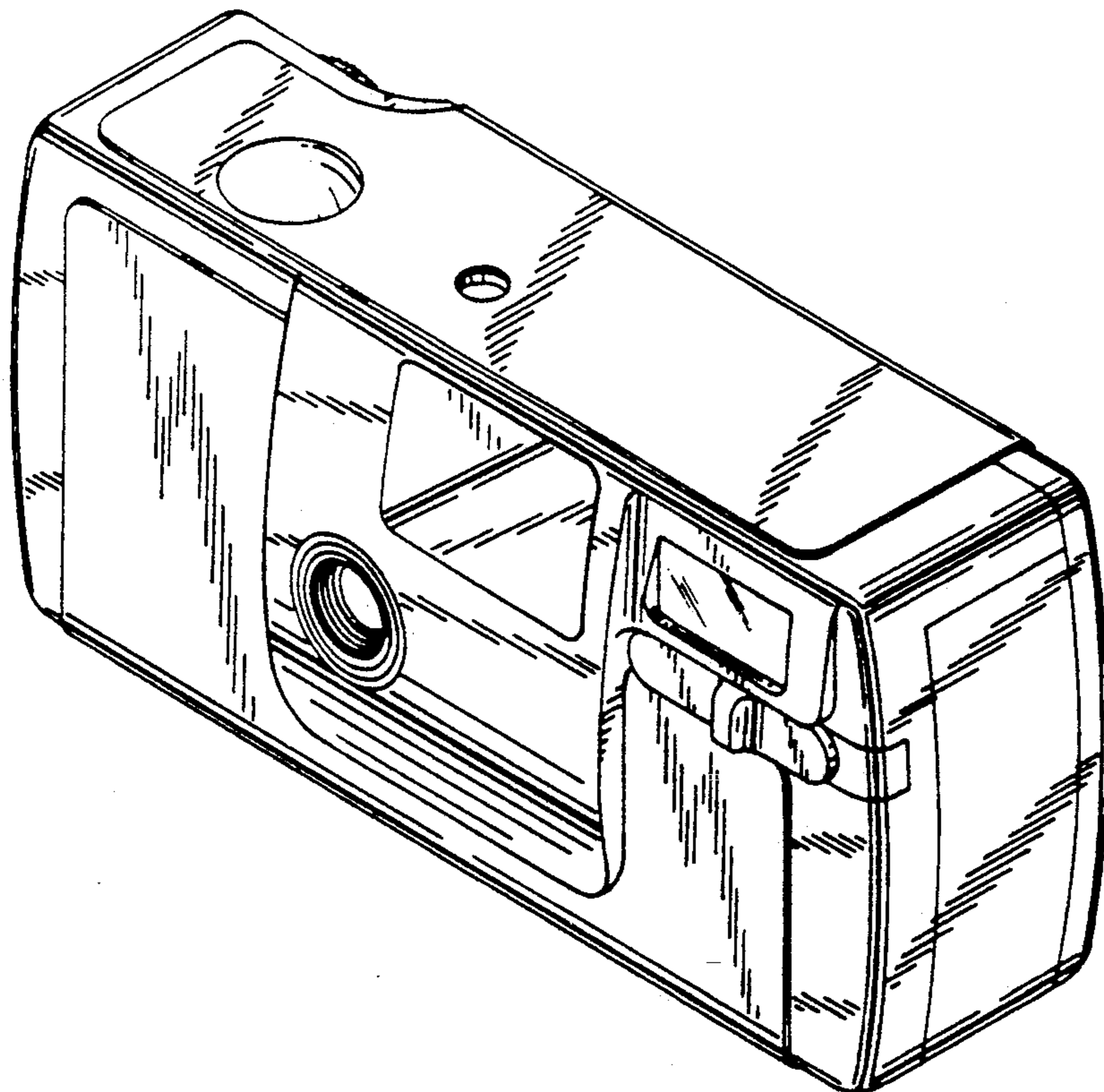


FIG. 1

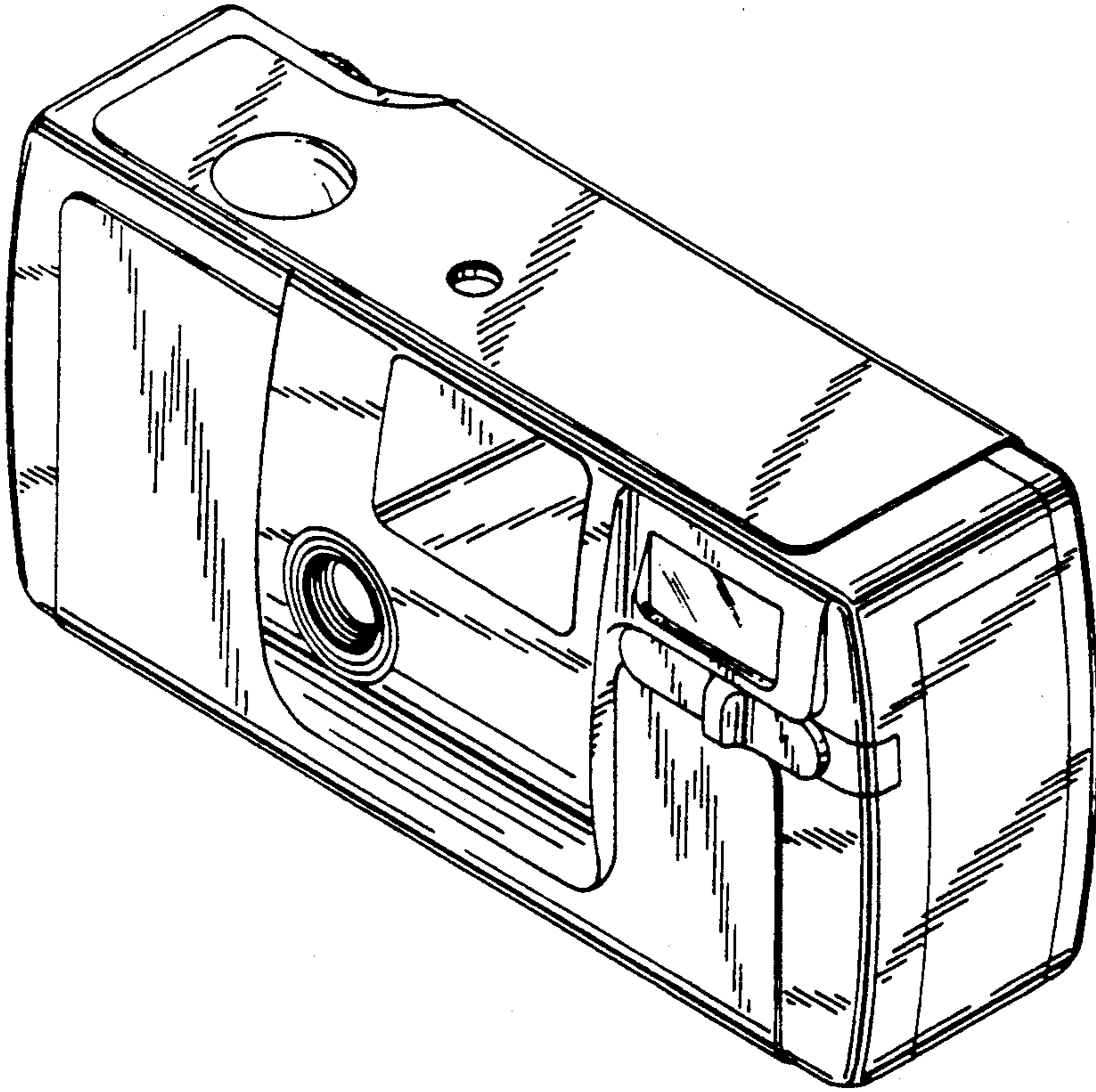


FIG. 2

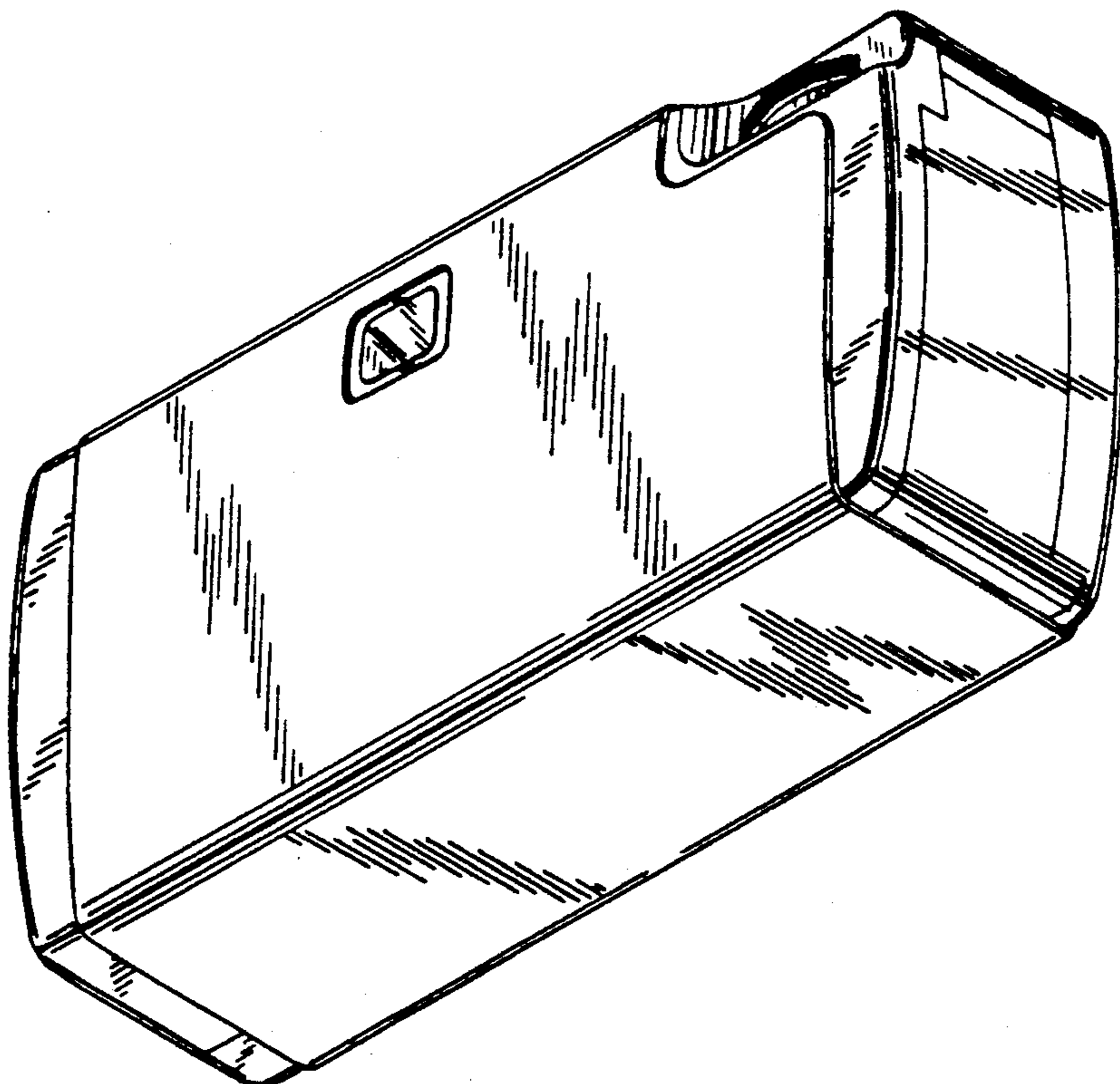


FIG. 3

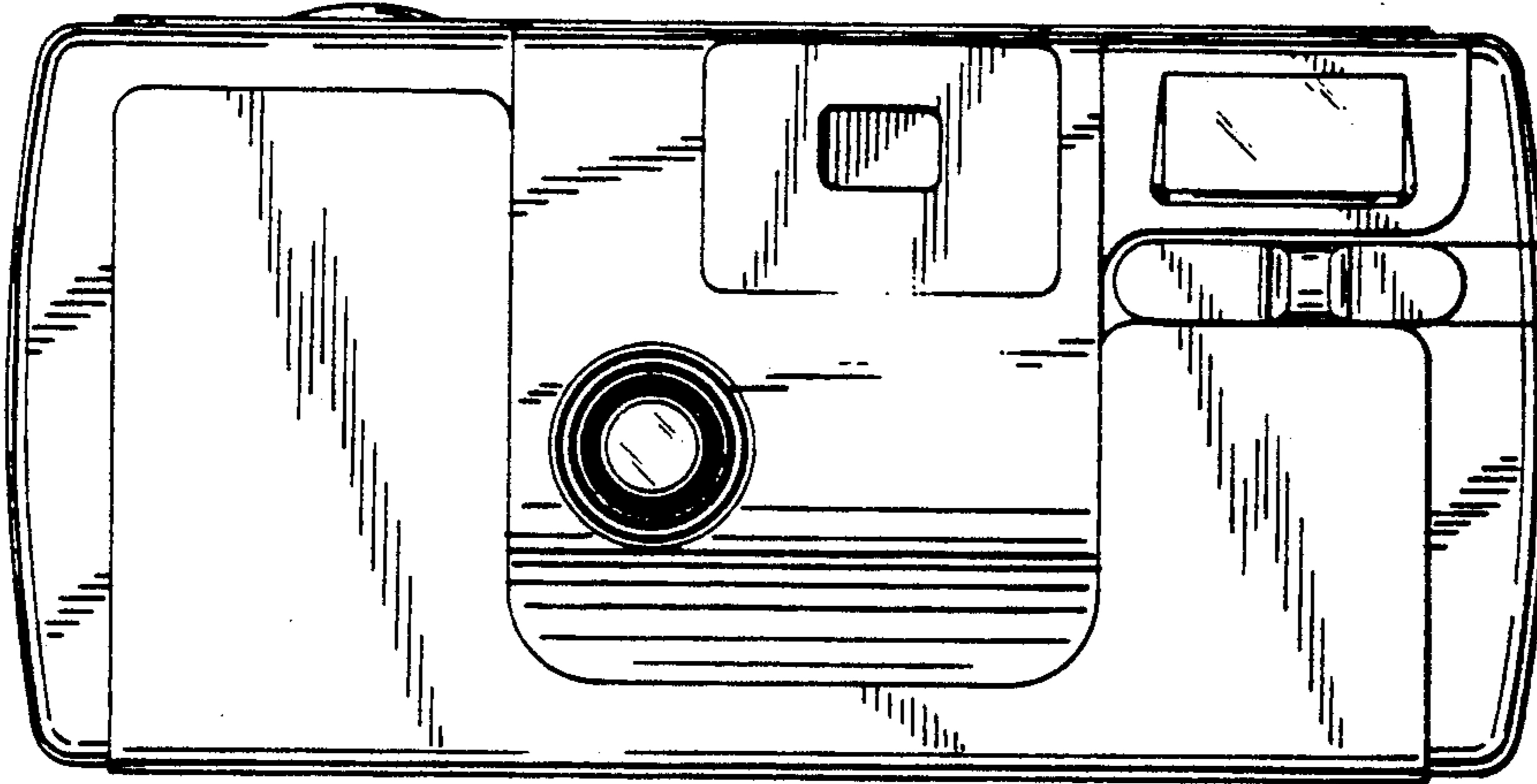


FIG. 4

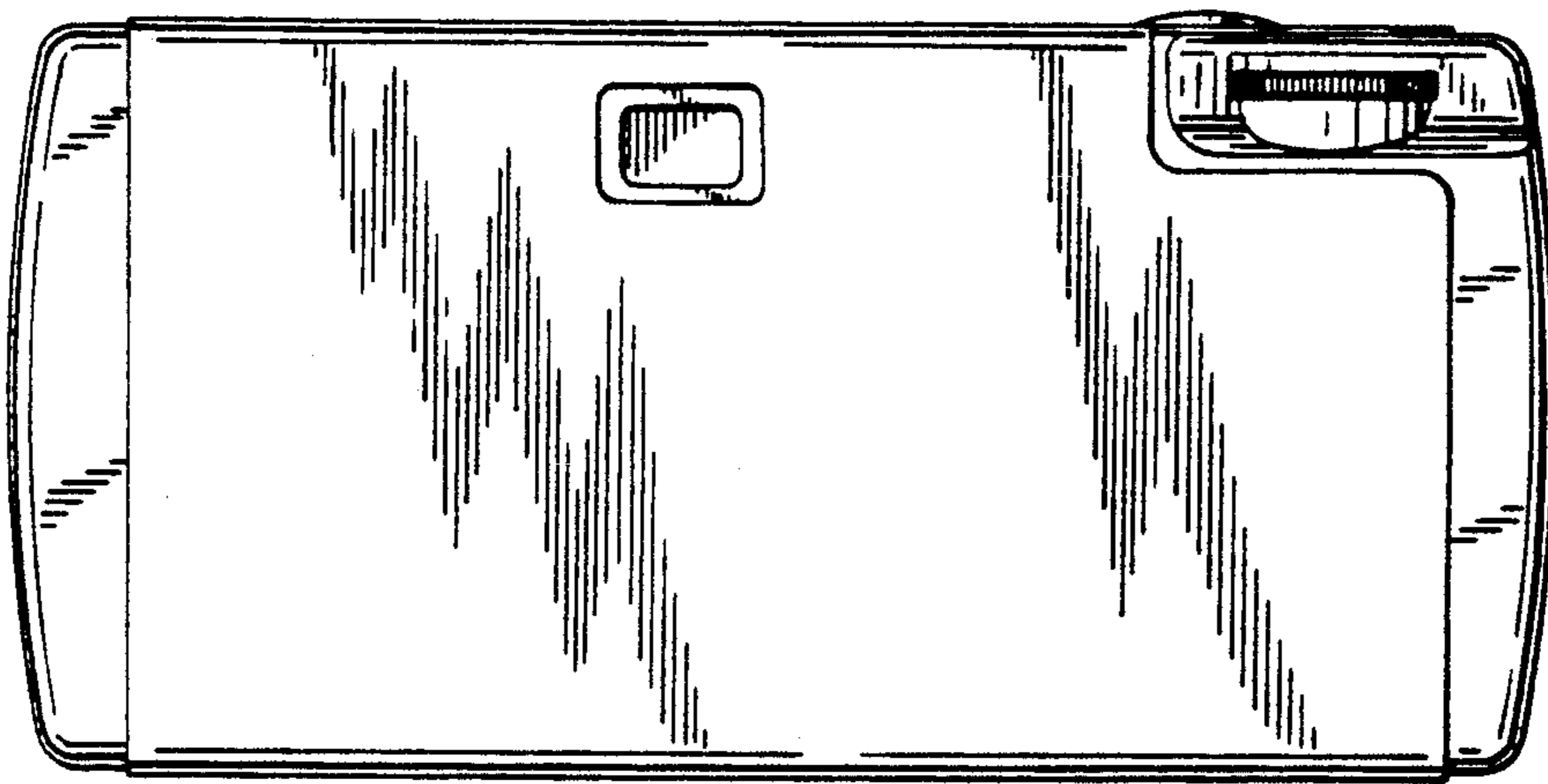


FIG. 6

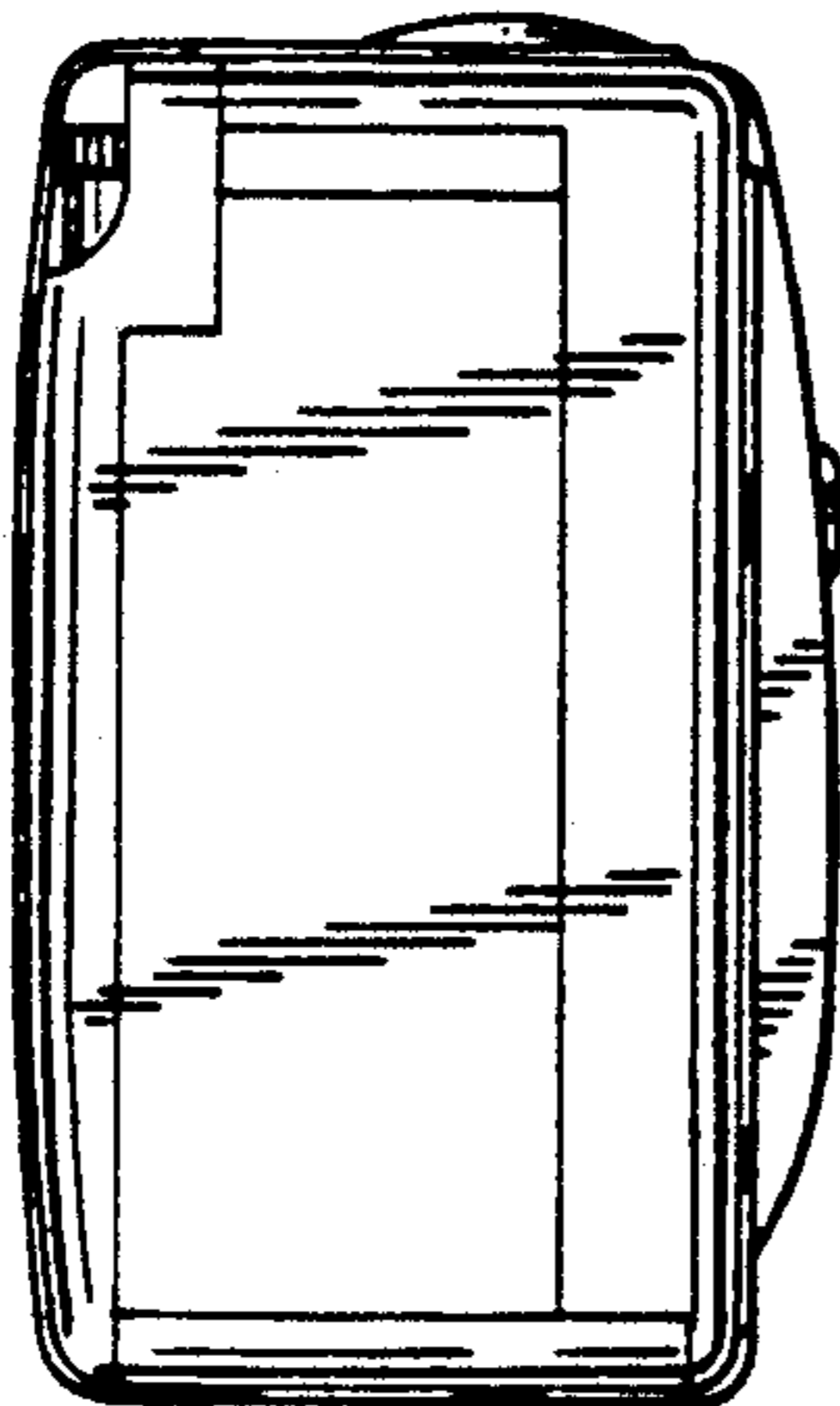


FIG. 5

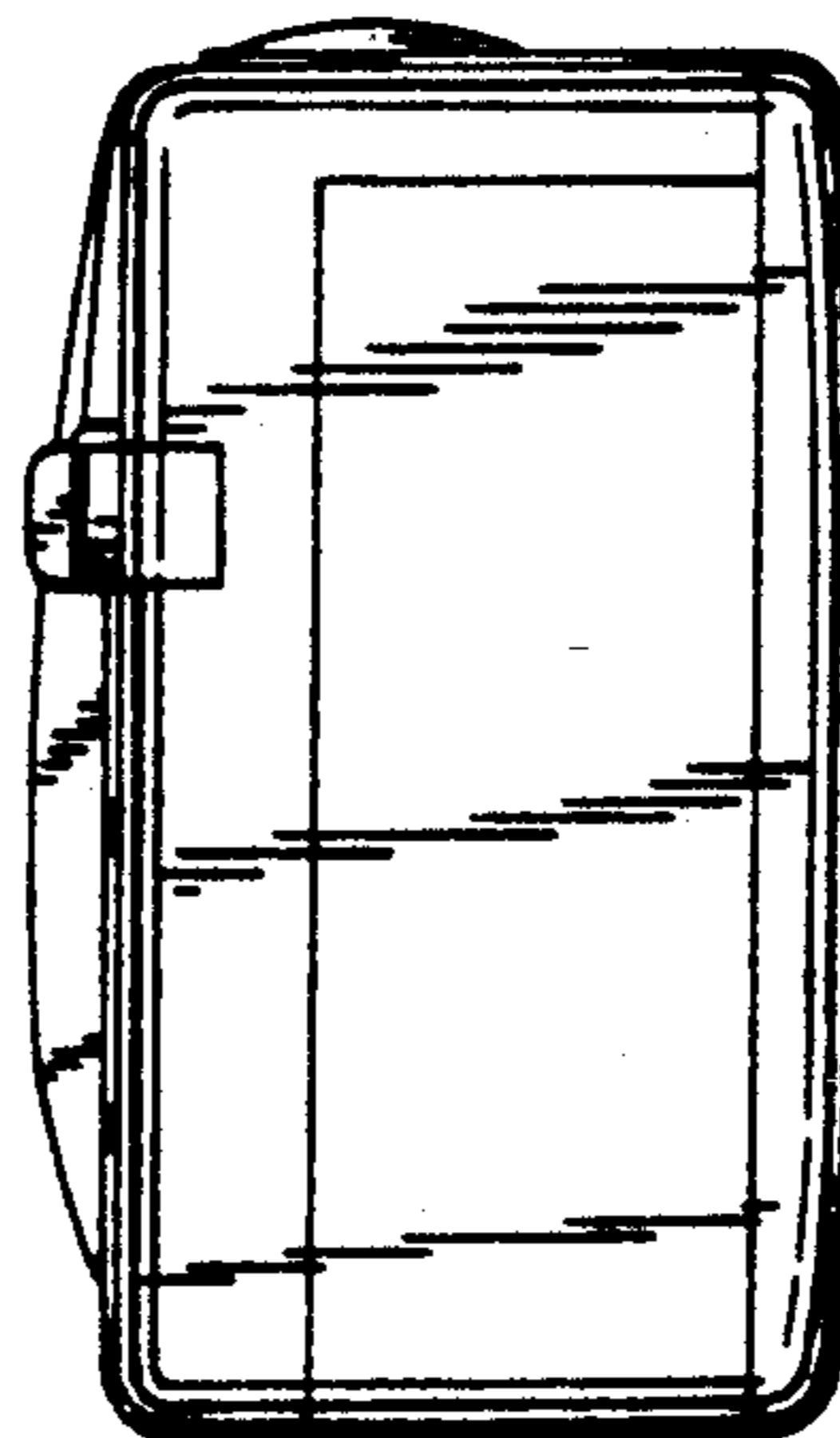


FIG. 7

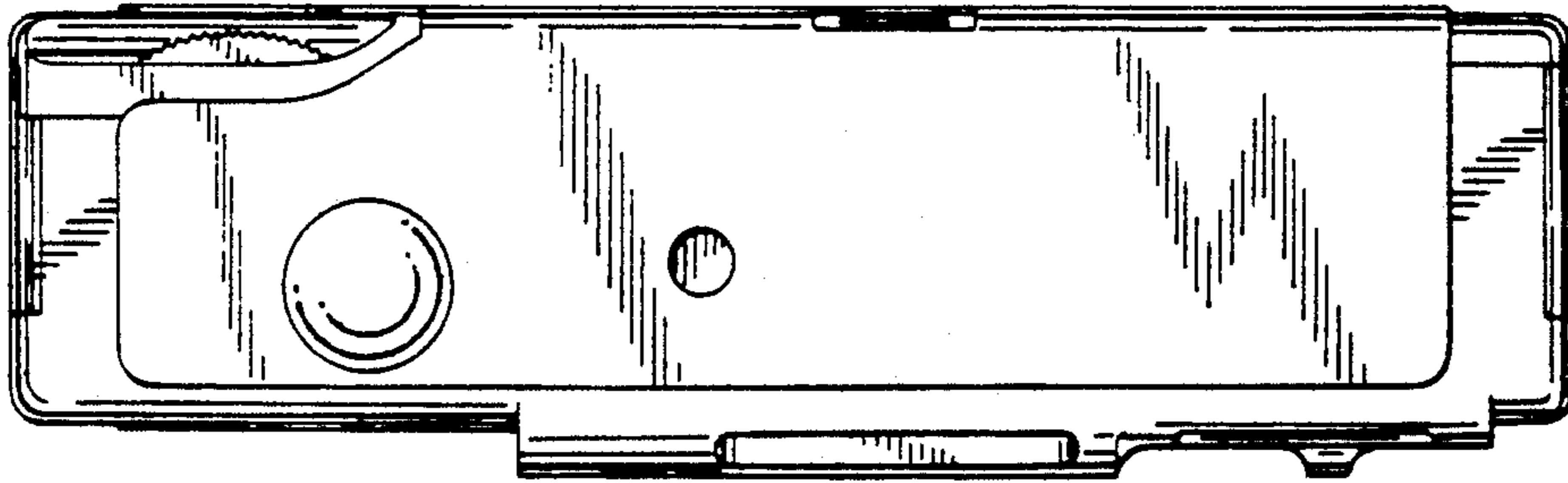


FIG. 8

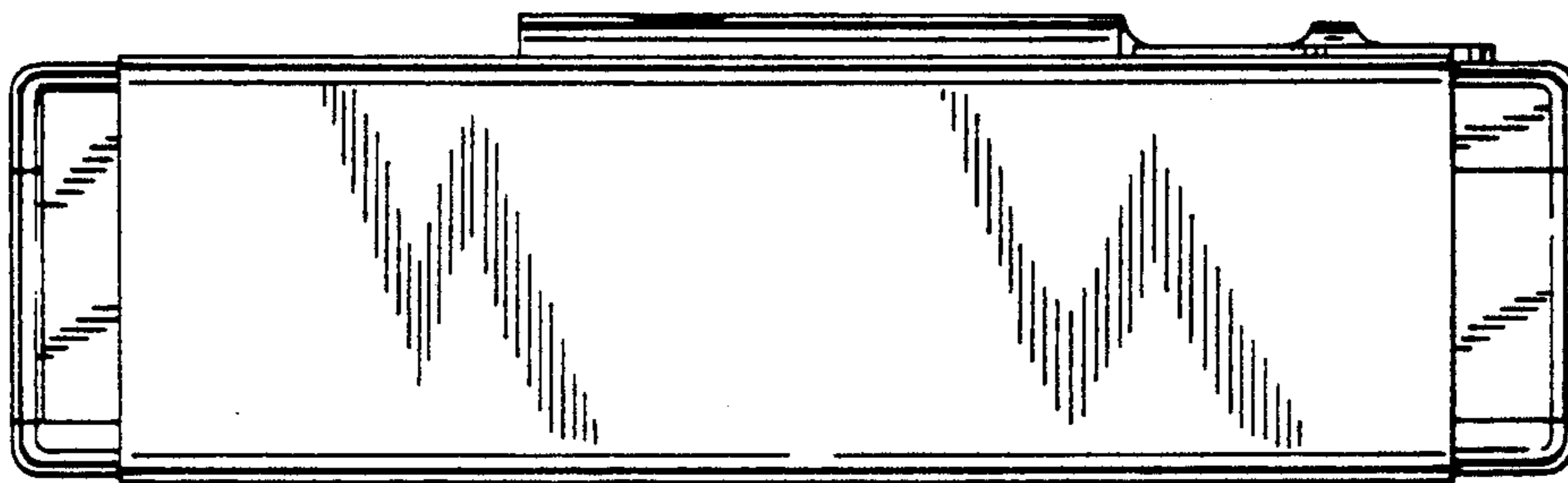


FIG. 9

