



US00D331590S

# United States Patent [19]

[11] Patent Number: **Des. 331,590**

Horiuchi et al.

[45] Date of Patent: **\*\* Dec. 8, 1992**

[54] CAMERA

[75] Inventors: **Hiroshi Horiuchi; Takeyoshi Iguchi,**  
both of Tokyo, Japan

[73] Assignee: **Konica Corporation, Japan**

[\*\*] Term: **14 Years**

[21] Appl. No.: **544,492**

[22] Filed: **Jun. 27, 1990**

### [30] Foreign Application Priority Data

Dec. 28, 1989 [JP] Japan ..... 1-47700

[52] U.S. Cl. .... **D16/209; D16/200**

[58] Field of Search ..... **D16/200, 202, 203, 204,**  
**D16/205, 208, 209, 213, 216-218; D9/432;**  
**354/126, 127.11, 149.11, 202, 288**

### [56] References Cited

#### U.S. PATENT DOCUMENTS

D. 296,333	6/1988	Inoue .....	D16/209
D. 306,691	3/1990	Arai .....	D16/213
D. 310,841	9/1990	Inoue .....	D16/209
4,882,600	11/1989	Van de Moere .....	354/288

### OTHER PUBLICATIONS

Popular Photography, Dec. 1988 p. 134 (Fuji Super HR Camera).

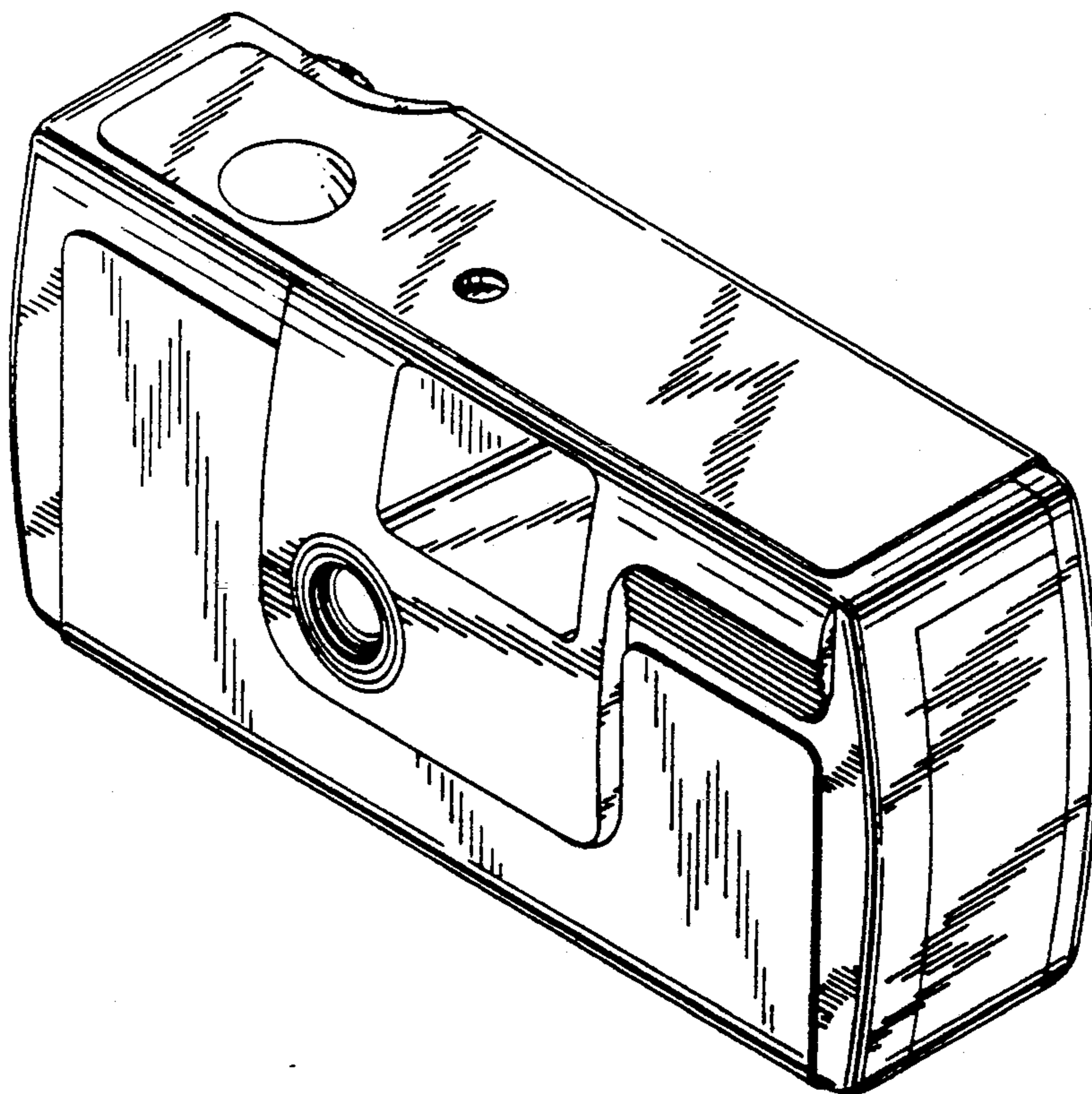
*Primary Examiner*—Bernard Ansher  
*Assistant Examiner*—Adir Aronovich  
*Attorney, Agent, or Firm*—Finnegan, Henderson,  
Farabow, Garrett & Dunner

### [57] CLAIM

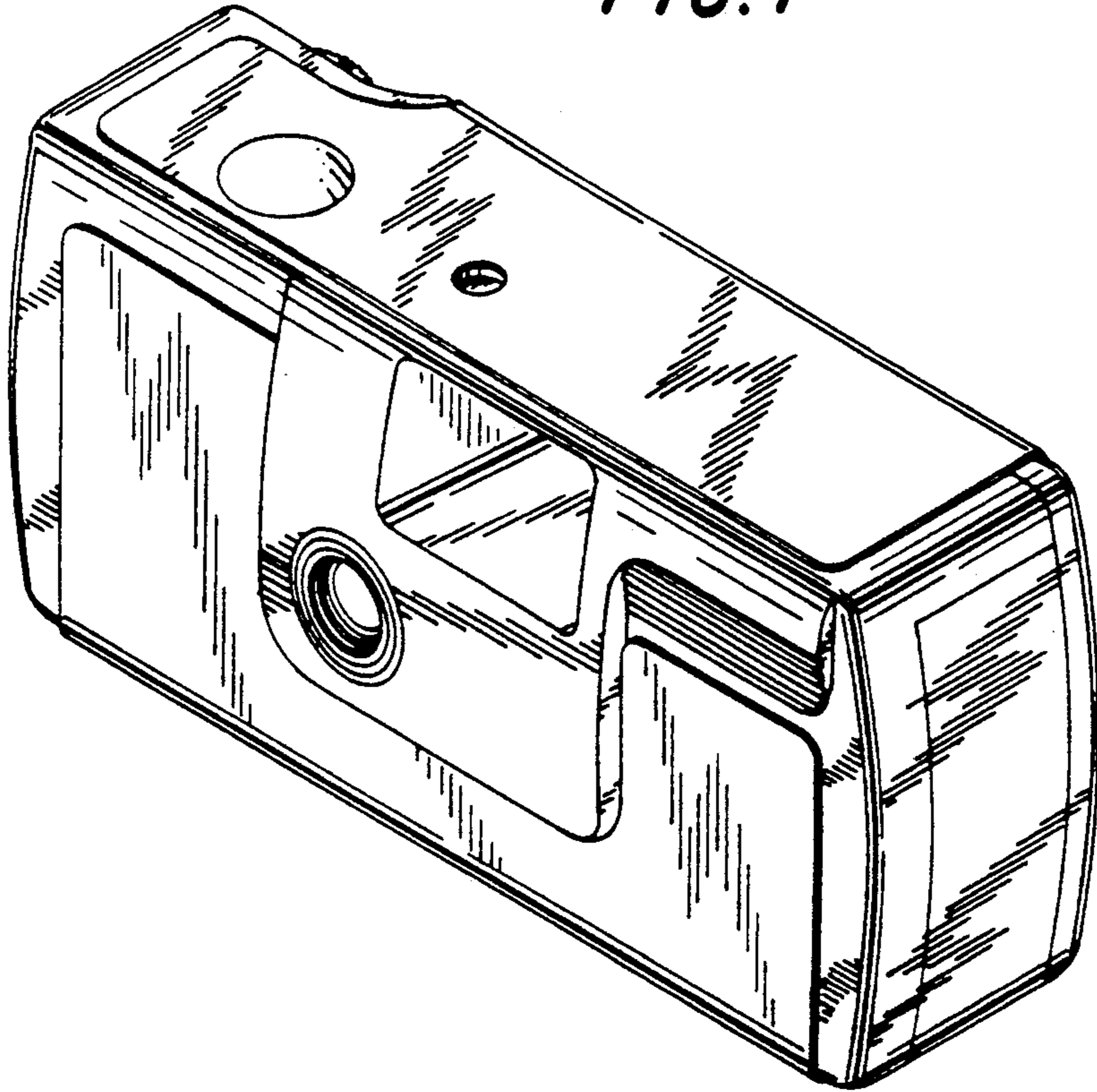
The ornamental design for a camera, as shown and described.

### DESCRIPTION

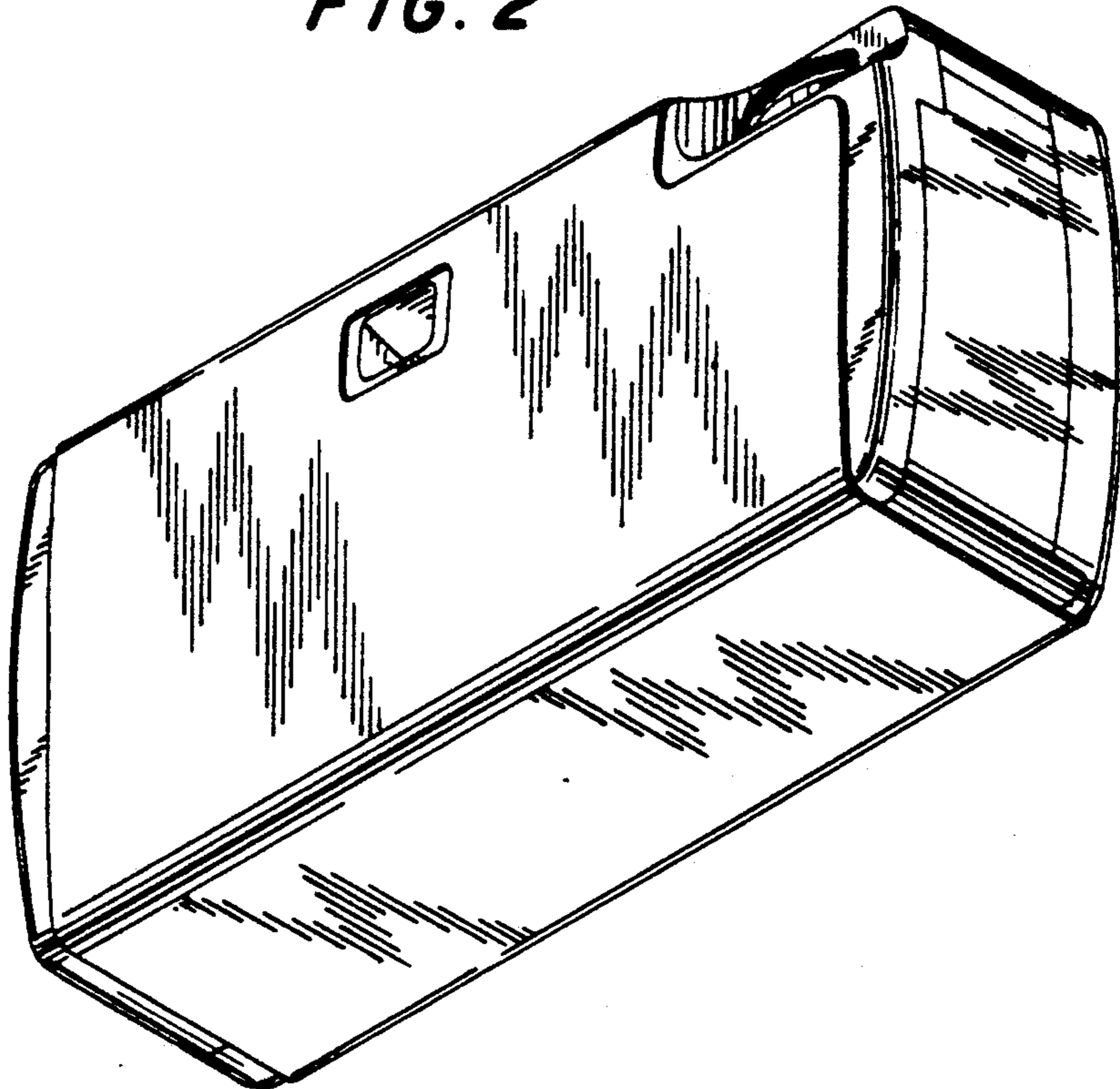
FIG. 1 is a top, front, and right side perspective view of a camera showing our new design;  
FIG. 2 is a bottom, rear, and left side perspective view thereof;  
FIG. 3 is a front elevational view thereof;  
FIG. 4 is a rear elevational view thereof;  
FIG. 5 is a right side elevational view thereof;  
FIG. 6 is a left side elevational view thereof;  
FIG. 7 is a top plan view thereof; and,  
FIG. 8 is a bottom plan view thereof.



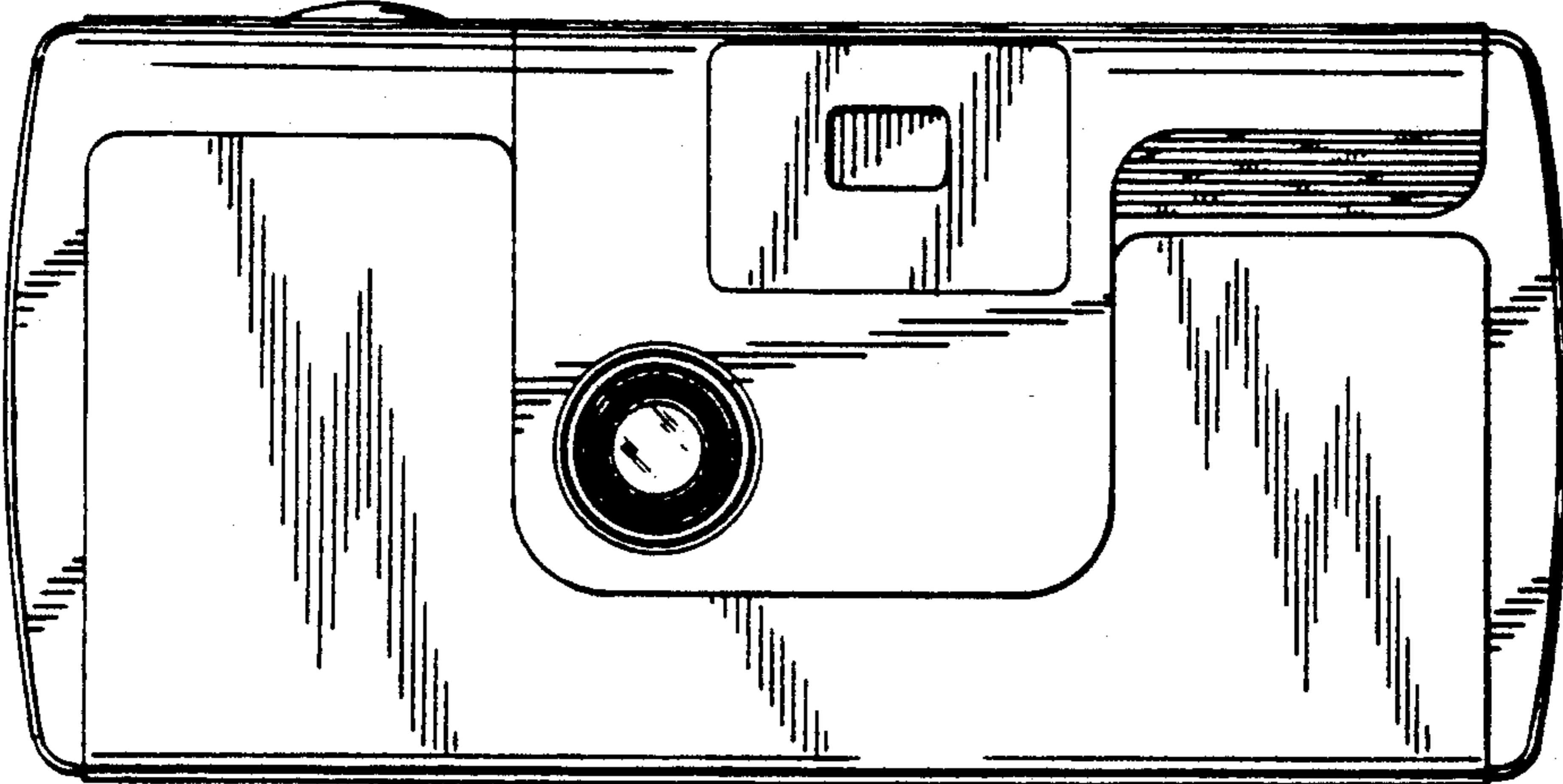
**FIG. 1**



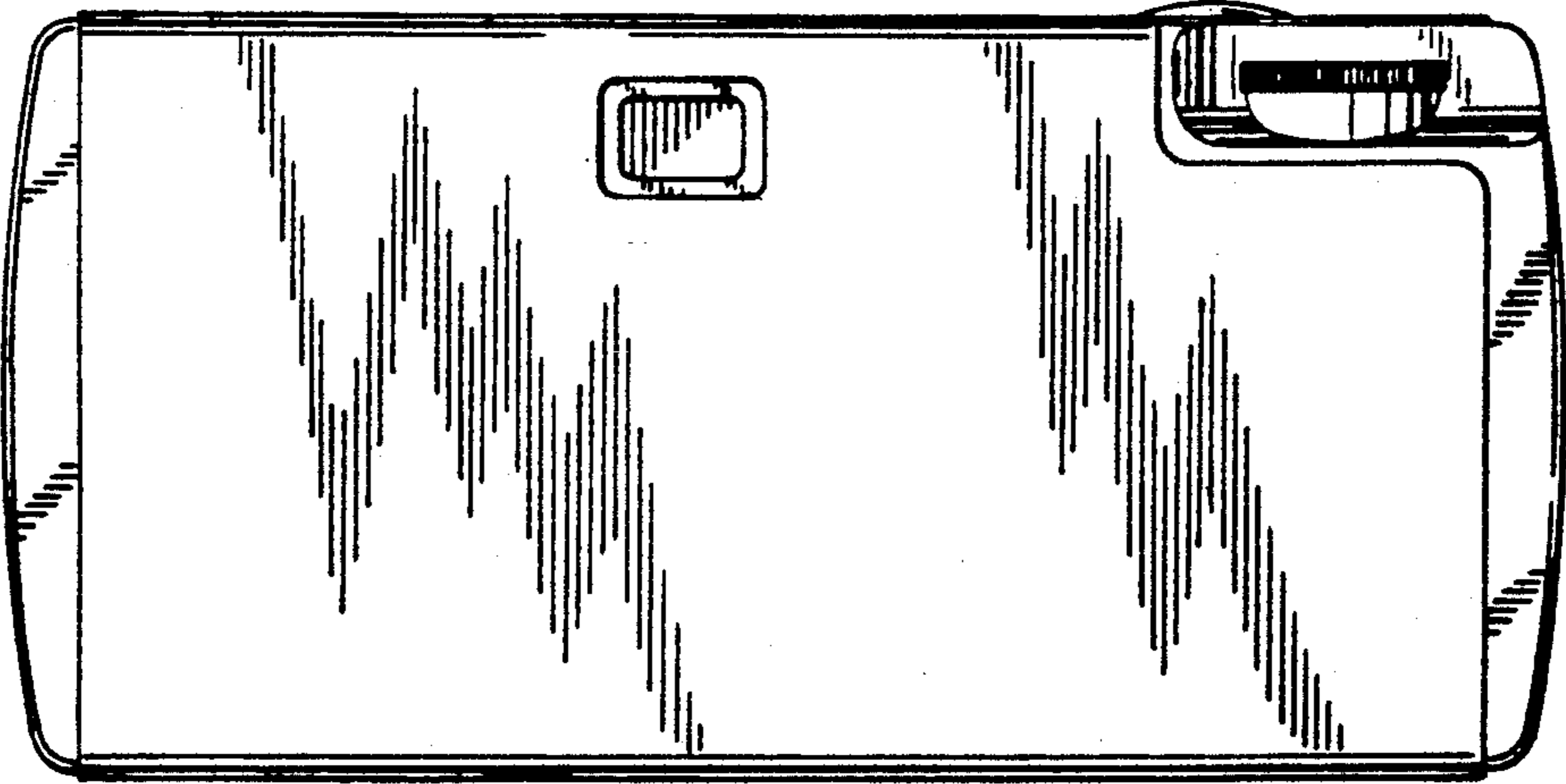
**FIG. 2**



*FIG. 3*

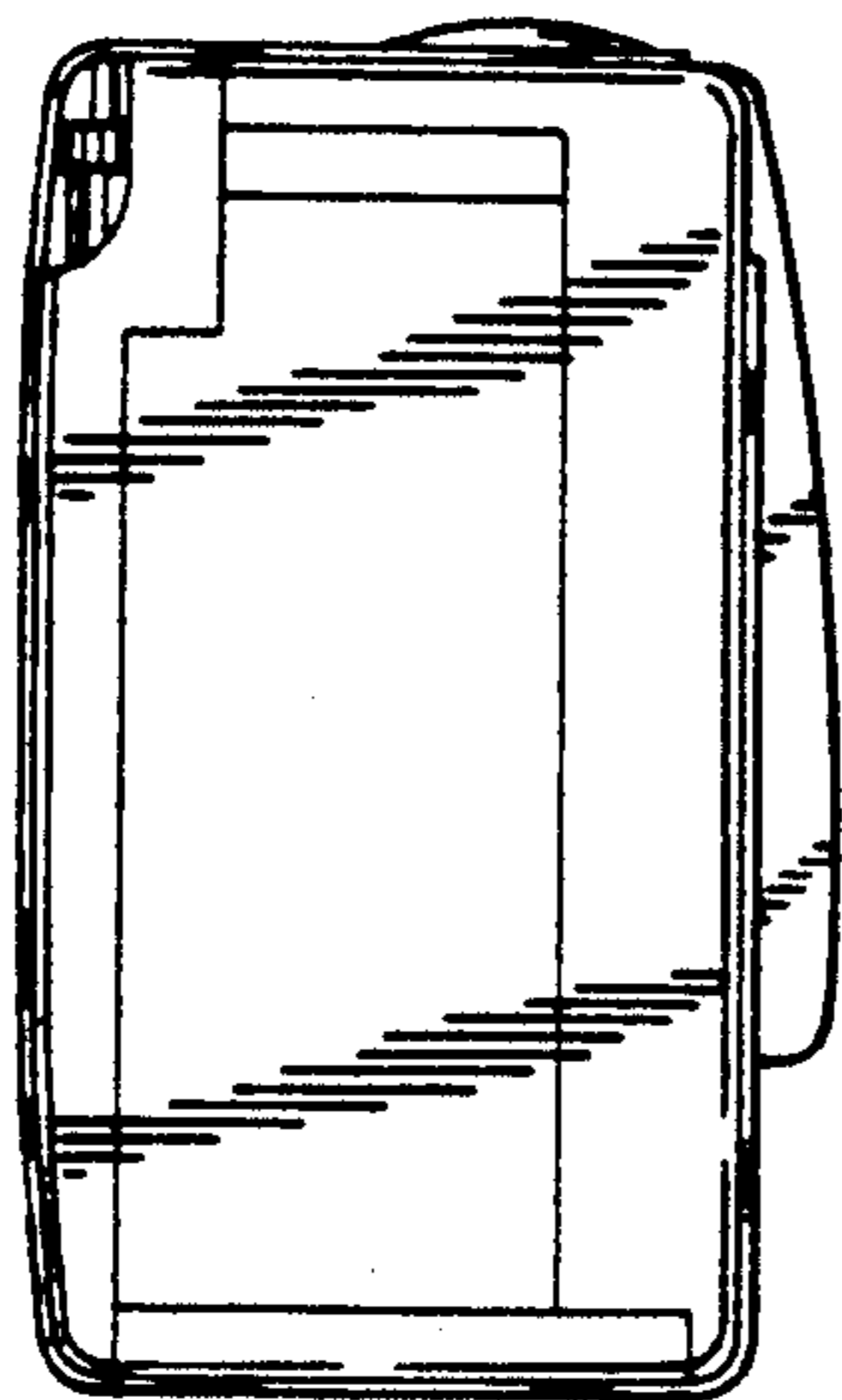


*FIG. 4*

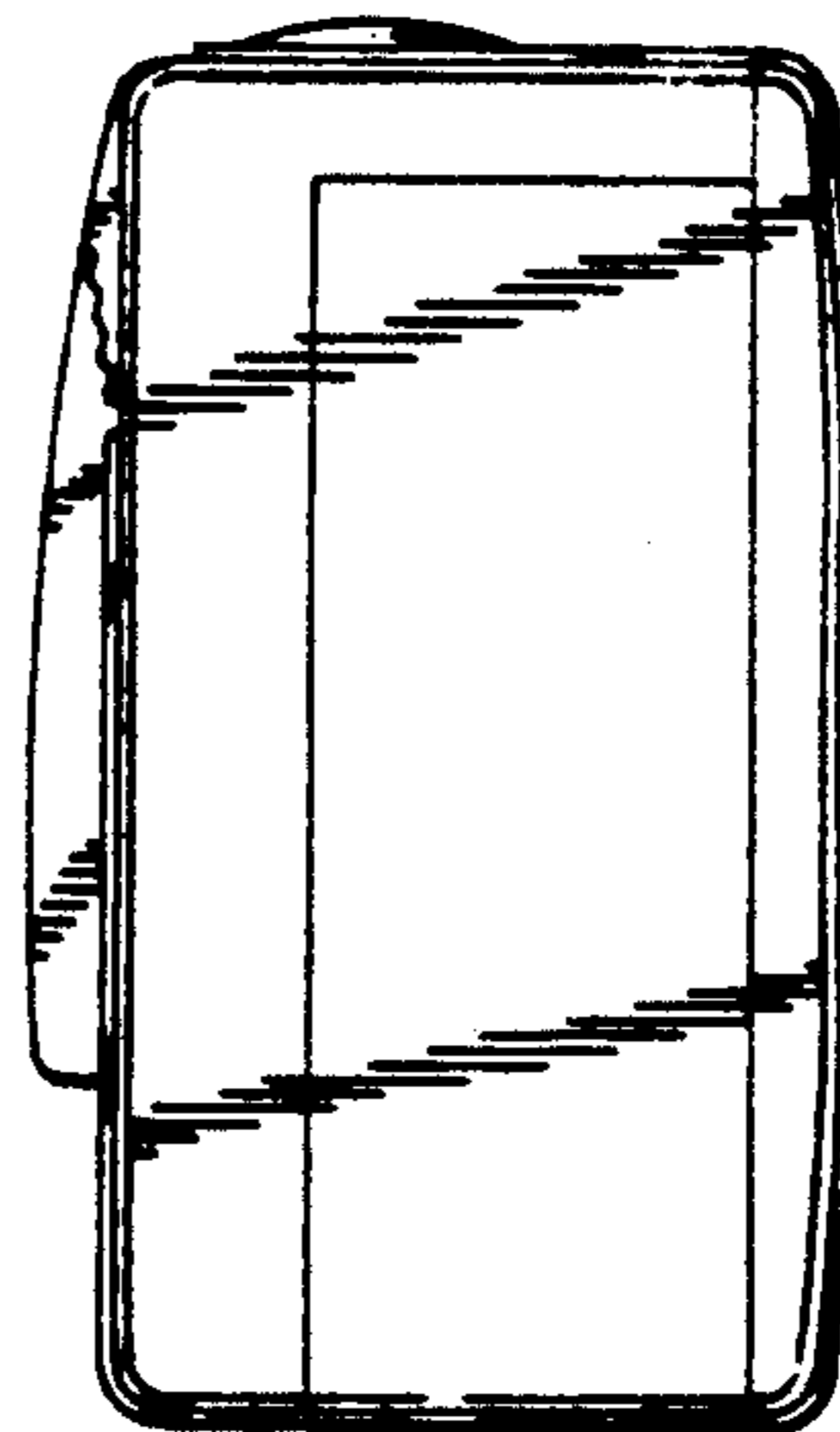




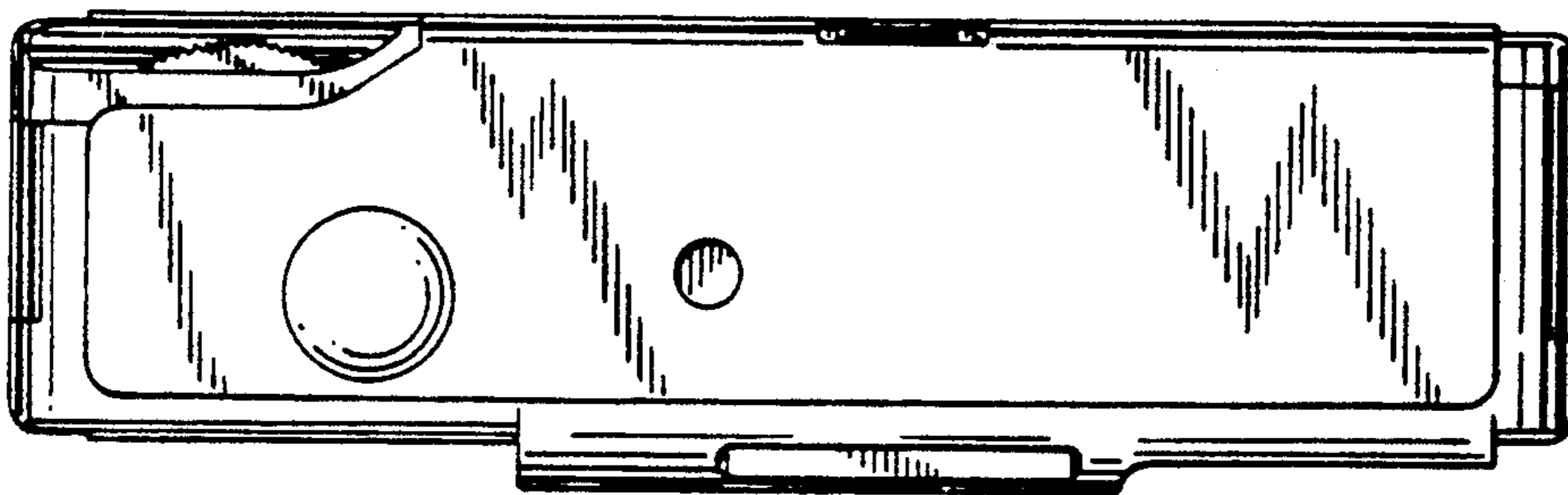
*FIG. 6*



*FIG. 5*



*FIG. 7*



*FIG. 8*

