



US00D331588S

# United States Patent [19]

[11] Patent Number: **Des. 331,588**

Ives

[45] Date of Patent: **\*\* Dec. 8, 1992**

[54] **COMBINATION VIAL, TRAY, AND CASE FOR CONTACT LENSES**

[75] Inventor: **Ray C. Ives, Dallas, Tex.**

[73] Assignee: **Ives Ideas, Inc., Dallas, Tex.**

[\*\*] Term: **14 Years**

[21] Appl. No.: **519,566**

[22] Filed: **May 7, 1990**

### Related U.S. Application Data

[63] Continuation-in-part of Ser. No. 419,910, Oct. 10, 1989, abandoned.

[52] U.S. Cl. .... **D16/129; D3/34; D9/341**

[58] Field of Search ..... **D3/30.1, 34, 41, 45, D3/52, 62, 74, 79, 100, 102; D9/341; 134/901, 135; 206/5 R, 5.1; D16/124, 129; 220/529**

### [56] References Cited

#### U.S. PATENT DOCUMENTS

D. 26,025	9/1896	Hurd	.....	D9/341
D. 204,162	3/1966	Di Petrillo	.....	D3/34
D. 267,652	1/1983	Thomas et al.	.....	D16/129
2,944,661	7/1960	Goldstein	.....	206/5.1
3,168,100	2/1965	Rich	.....	134/901
3,200,737	8/1965	Ferenc	.....	134/135
4,164,312	8/1979	Harned	.....	220/529

Primary Examiner—A. Hugo Word  
Assistant Examiner—Celia A. Murphy

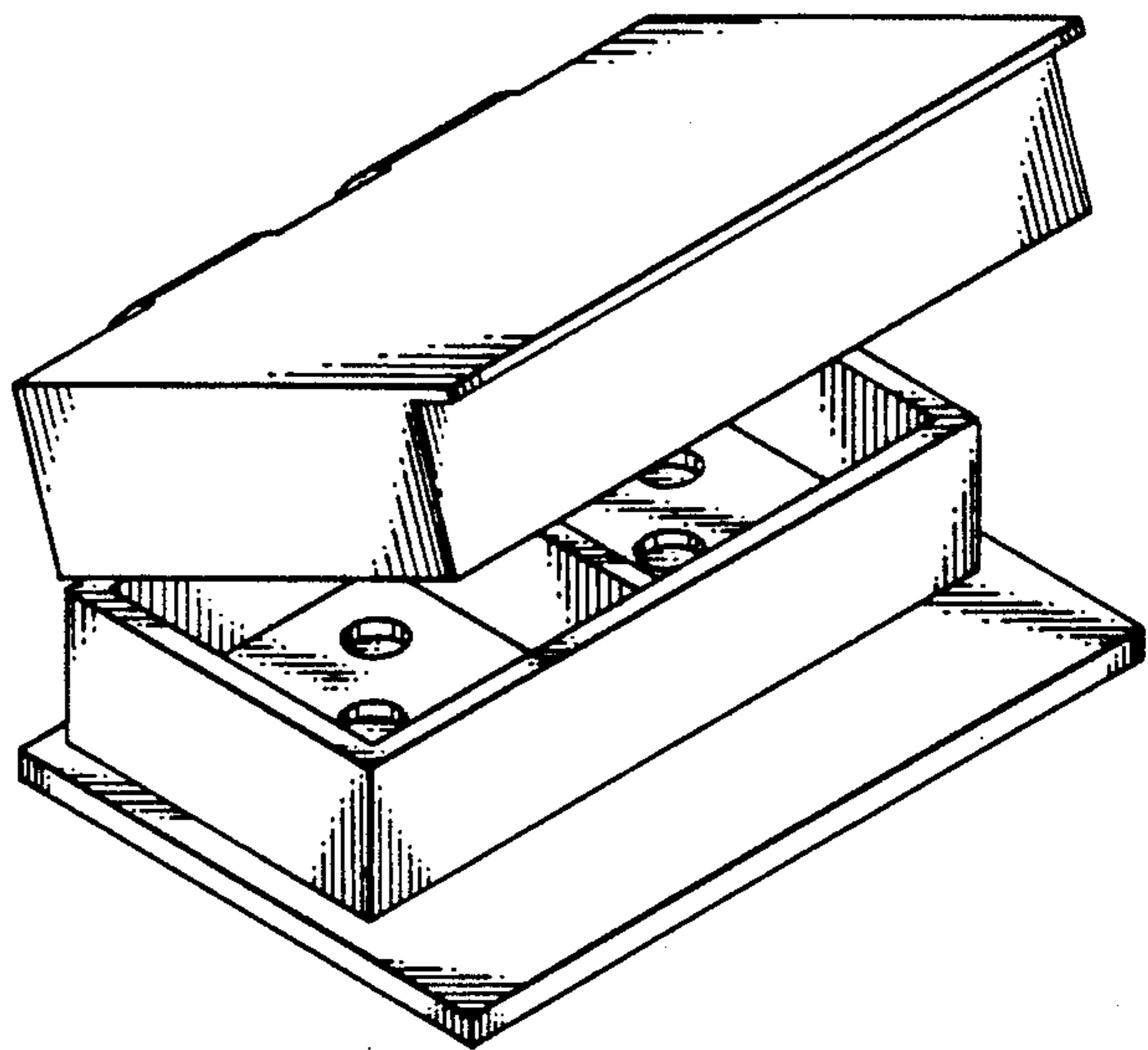
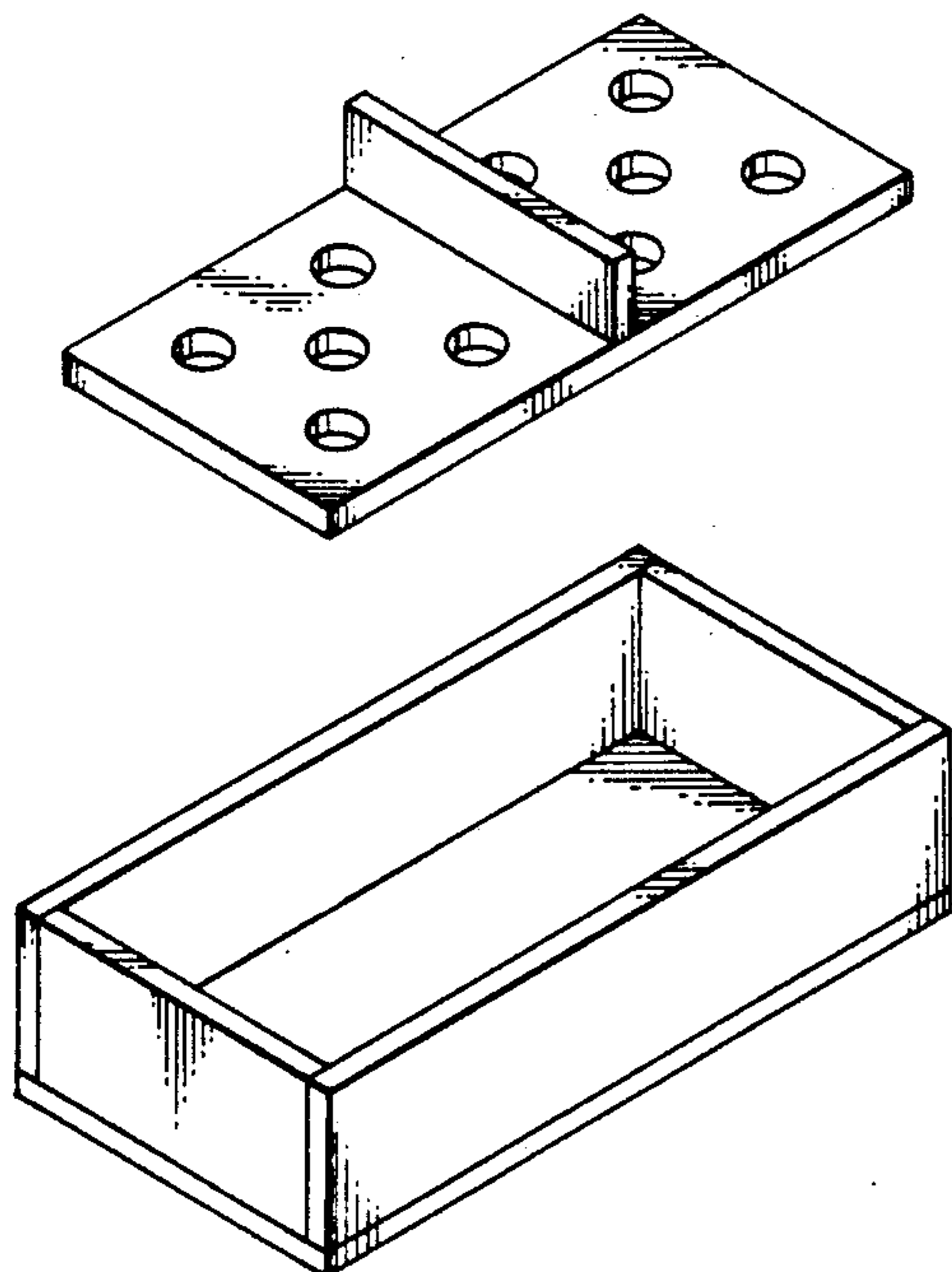
Attorney, Agent, or Firm—Timmons & Kelly

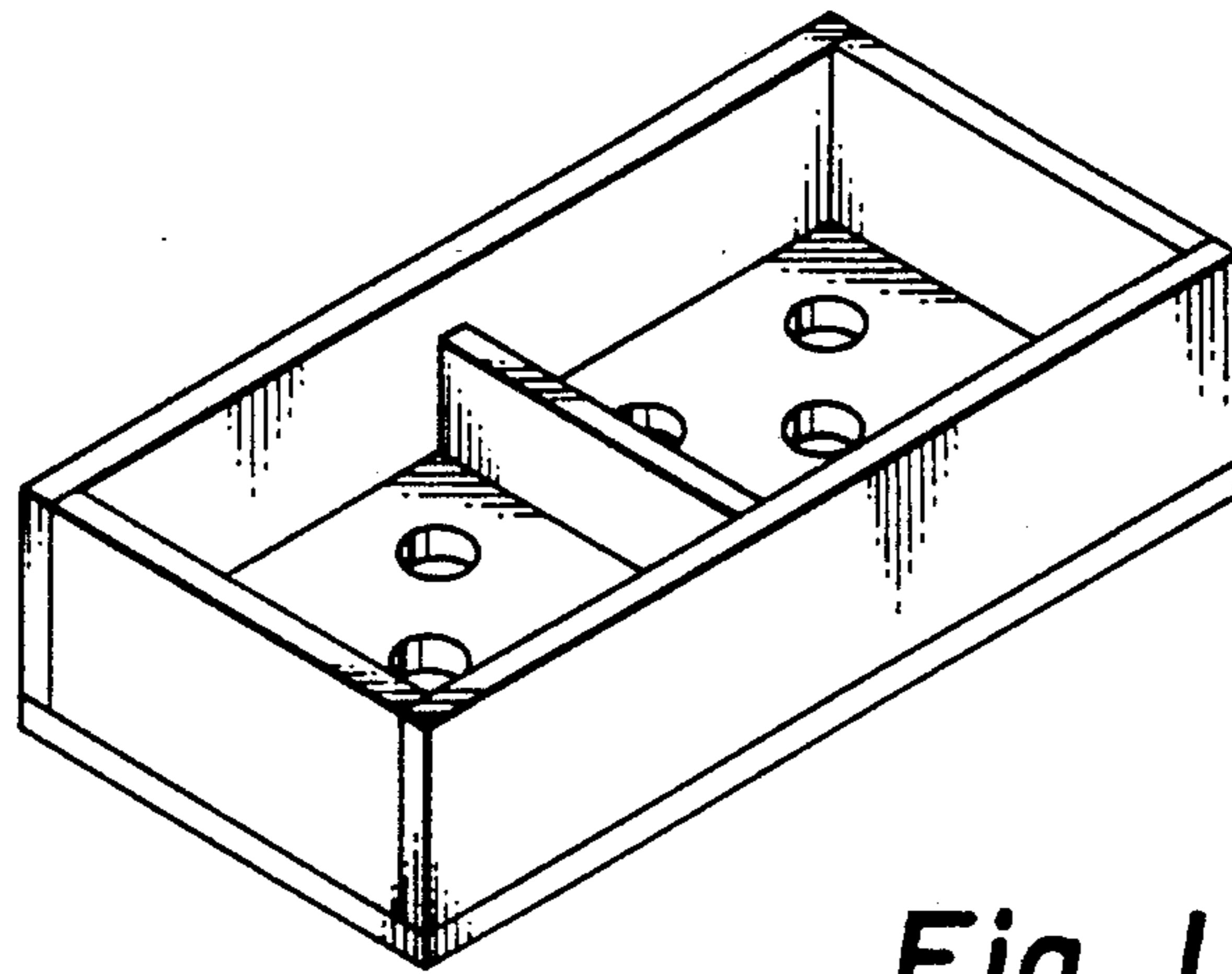
### [57] CLAIM

The ornamental design for a combination vial, tray, and case for contact lenses, as shown and described.

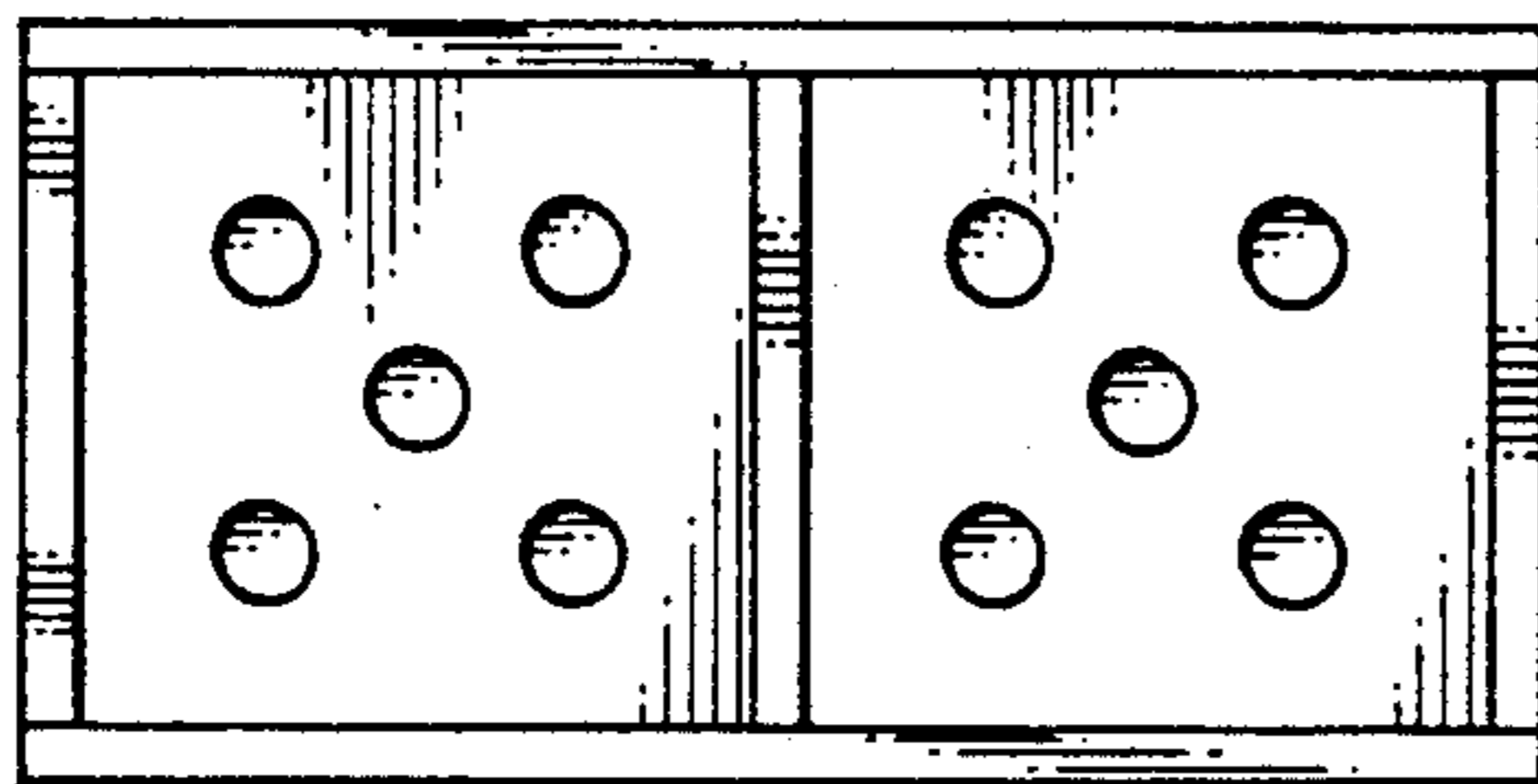
### DESCRIPTION

FIG. 1 is a perspective view of the vial and tray portions of a combination vial, tray, and case for contact lenses showing my new design;  
 FIG. 2 is a top plan view thereof;  
 FIG. 3 is a side elevational view thereof, both sides being identical;  
 FIG. 4 is a front elevational view thereof, the rear being identical;  
 FIG. 5 is a bottom plan view thereof;  
 FIG. 6 is an exploded perspective view thereof;  
 FIG. 7 is an exploded perspective view of an alternate embodiment of the design shown in FIG. 1;  
 FIG. 8 is an exploded perspective view of a second embodiment of the design shown in FIG. 1;  
 FIG. 9 is an exploded perspective view of a third embodiment of the design shown in FIG. 1;  
 FIG. 10 is a perspective view of a combination vial, tray, and case for contact lenses showing my new design;  
 FIG. 11 is a perspective view of FIG. 10 shown in a closed position;  
 FIG. 12 is a top plan view of FIG. 10;  
 FIG. 13 is a rear elevational view of FIG. 10;  
 FIG. 14 is a right side elevational view of FIG. 10, the left side being a mirror image; and,  
 FIG. 15 is a top plan view of FIG. 10.

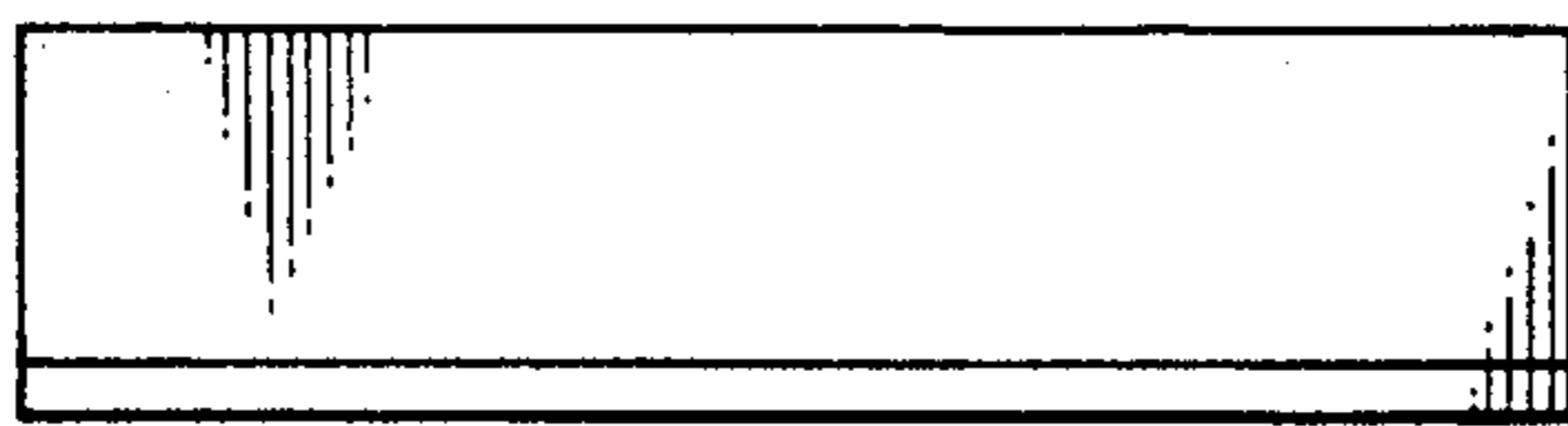




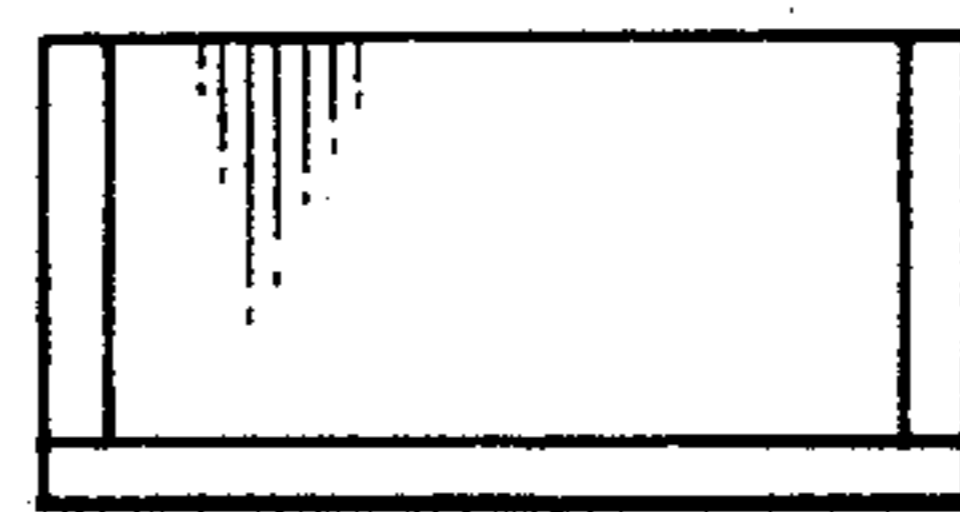
*Fig. 1*



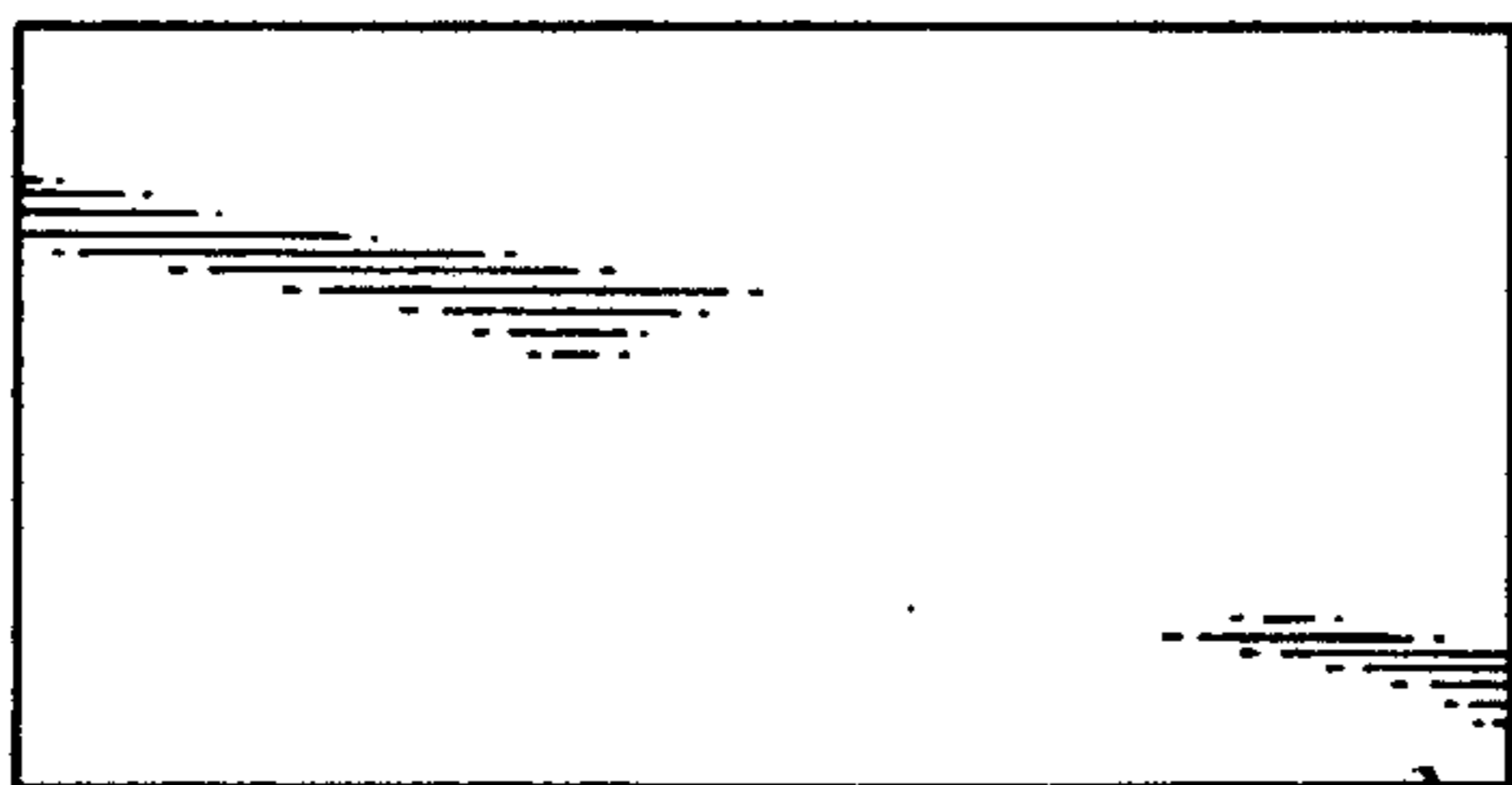
*Fig. 2*



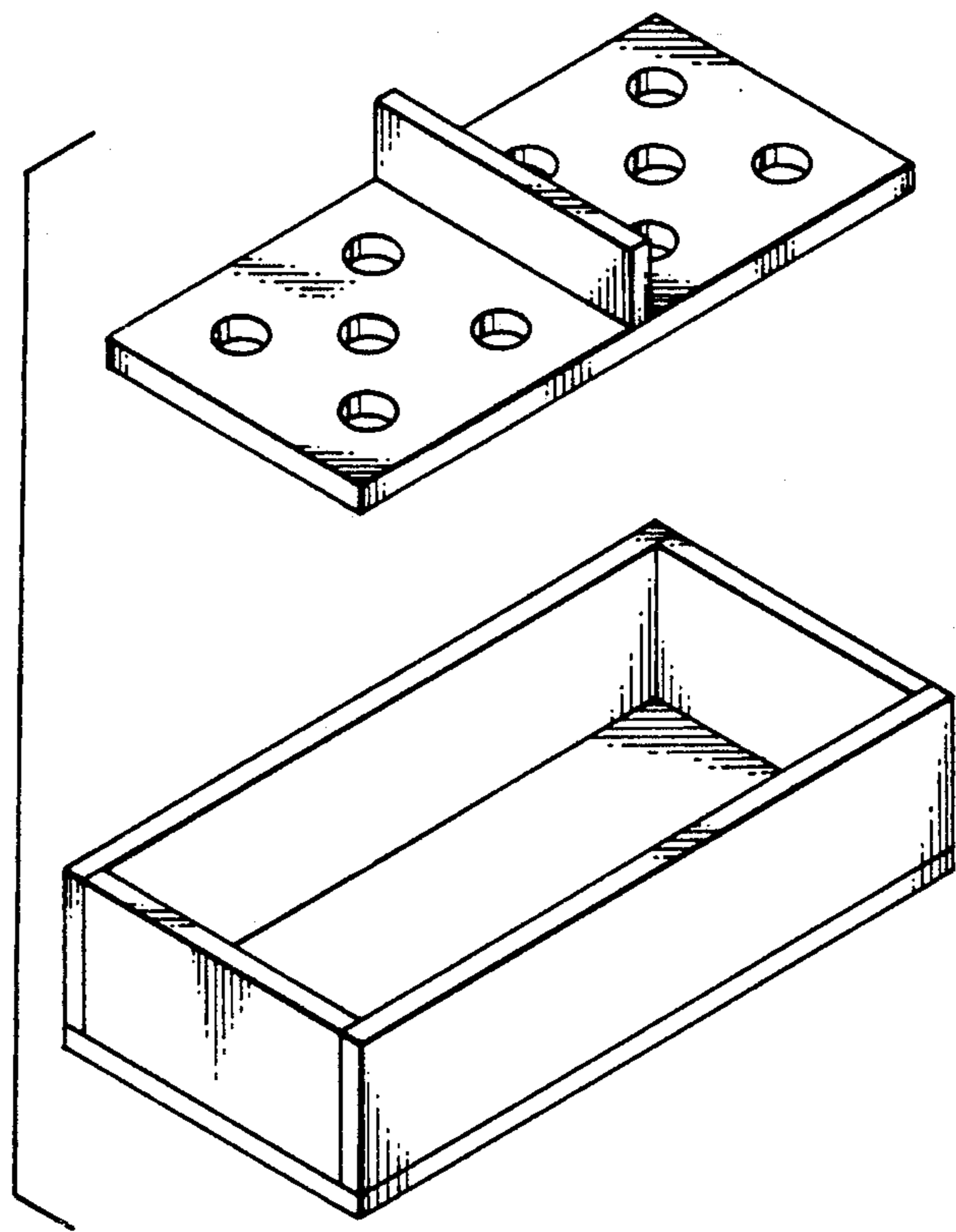
*Fig. 3*



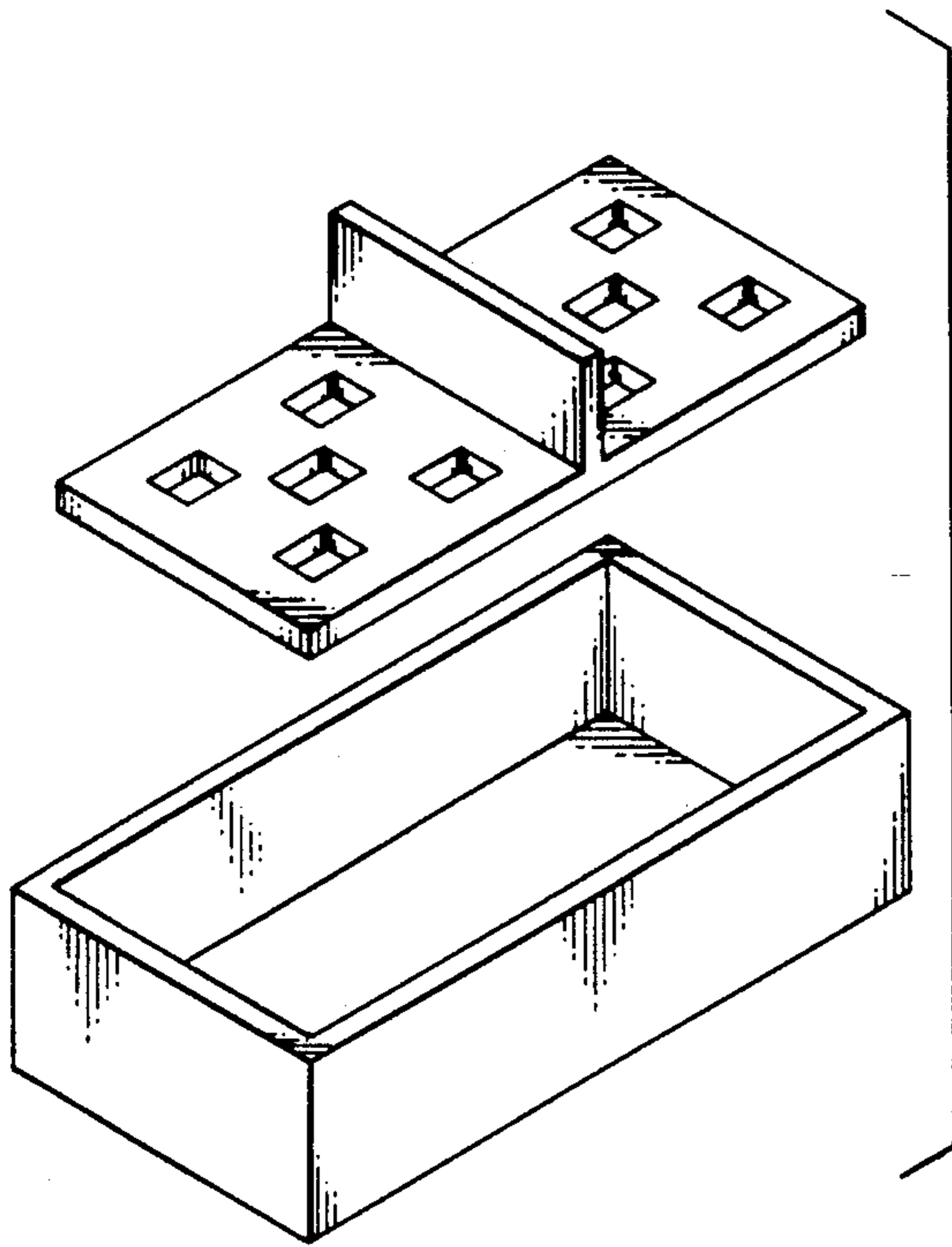
*Fig. 4*



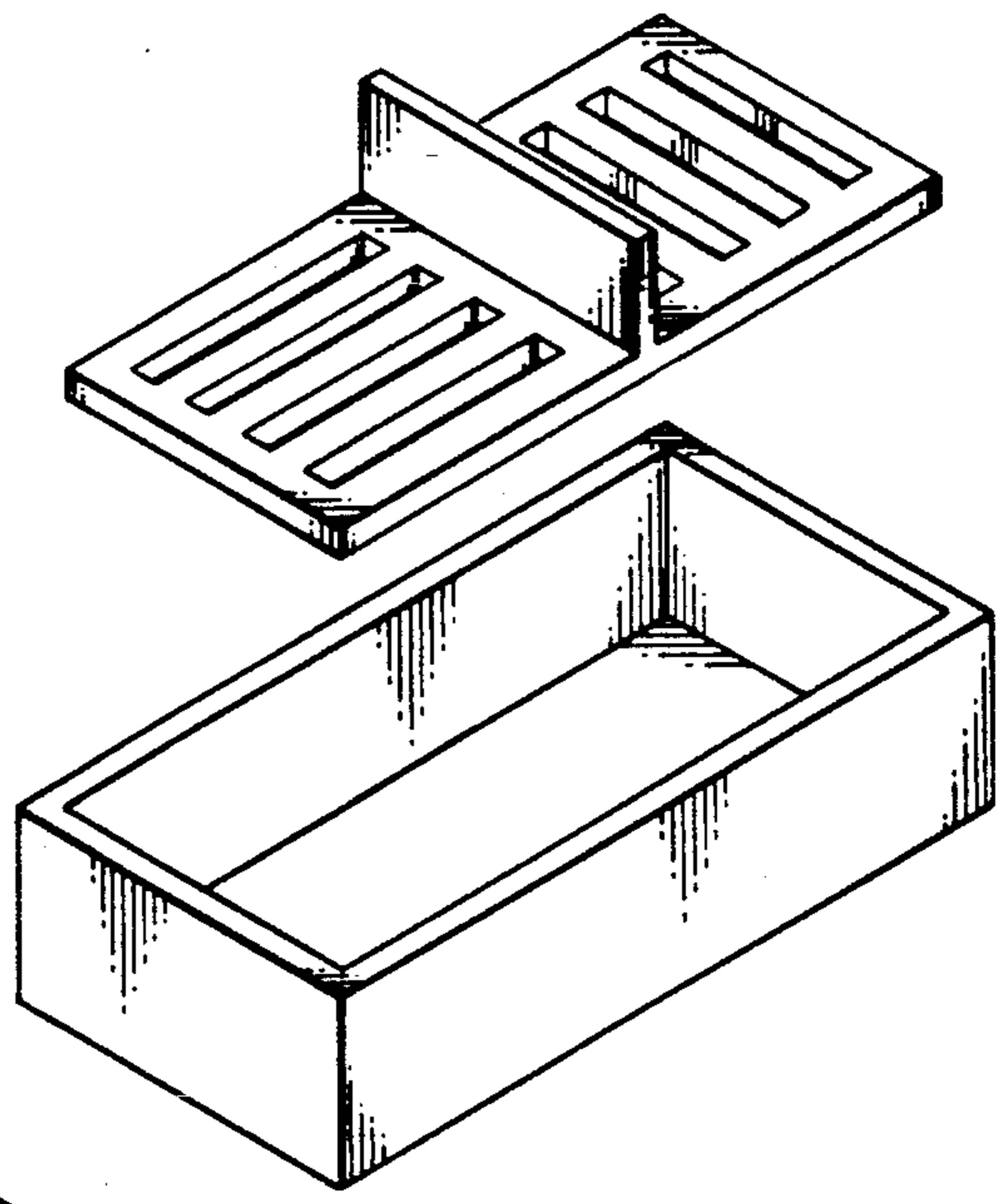
*Fig. 5*



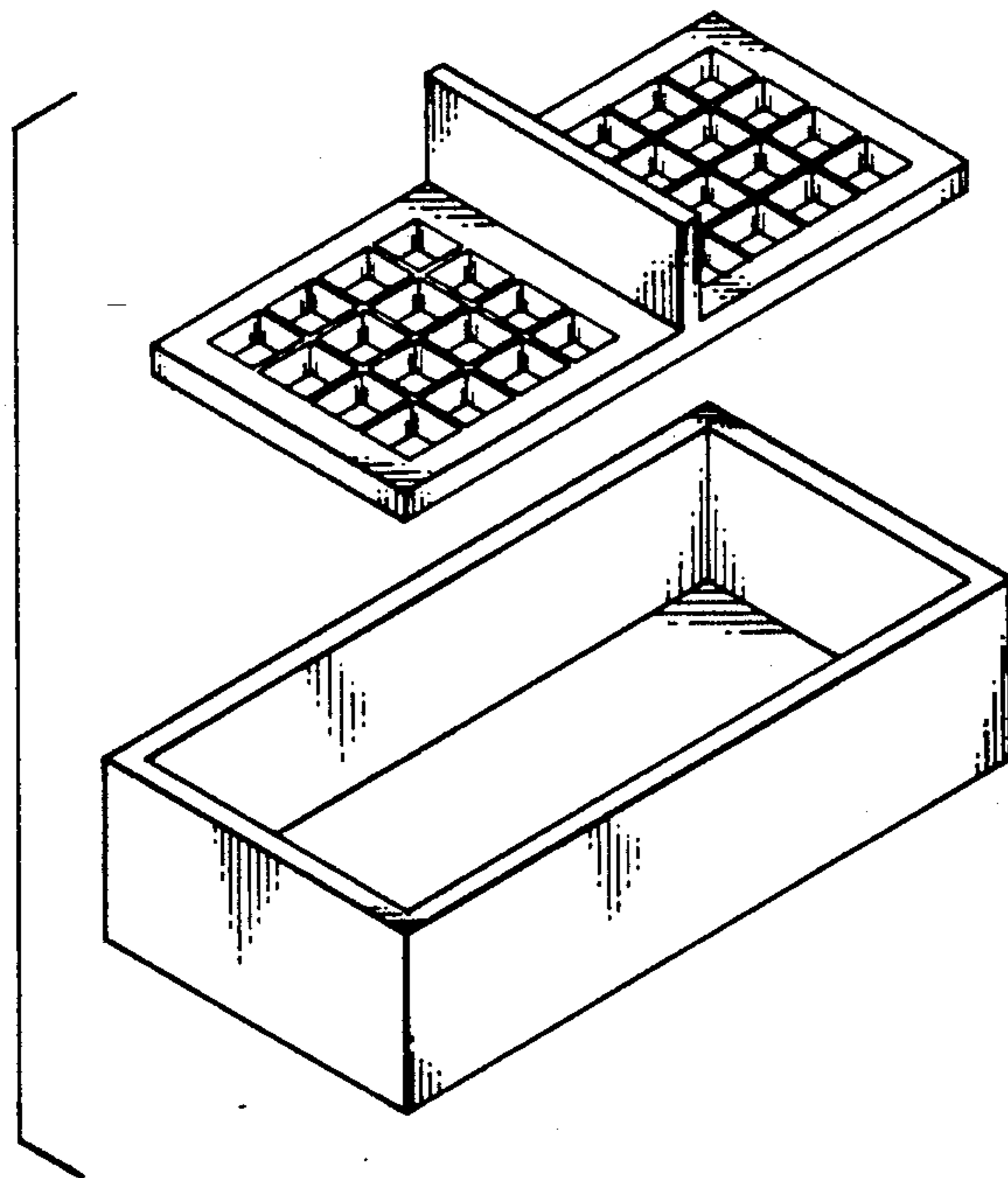
**Fig. 6**



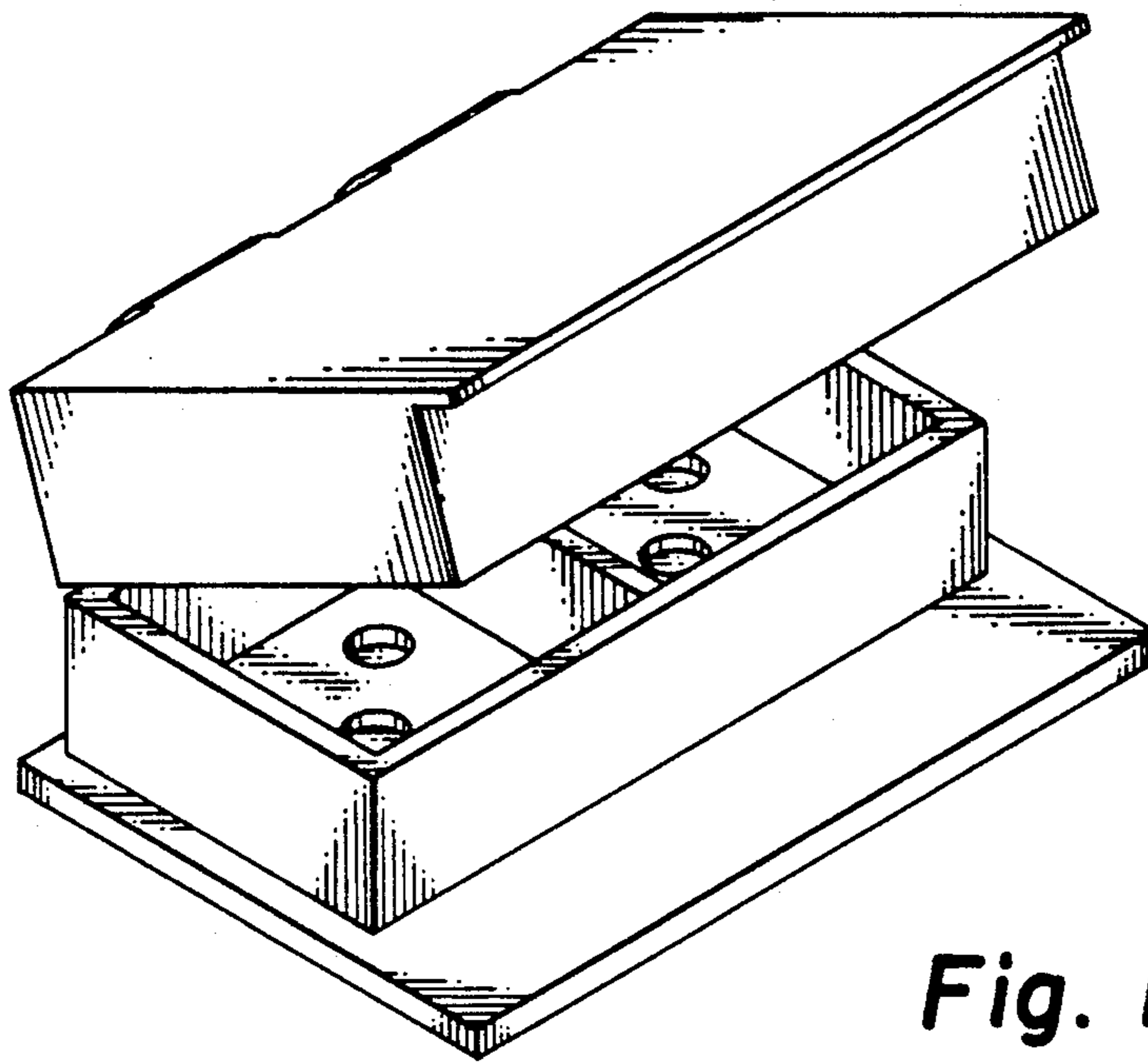
*Fig. 7*



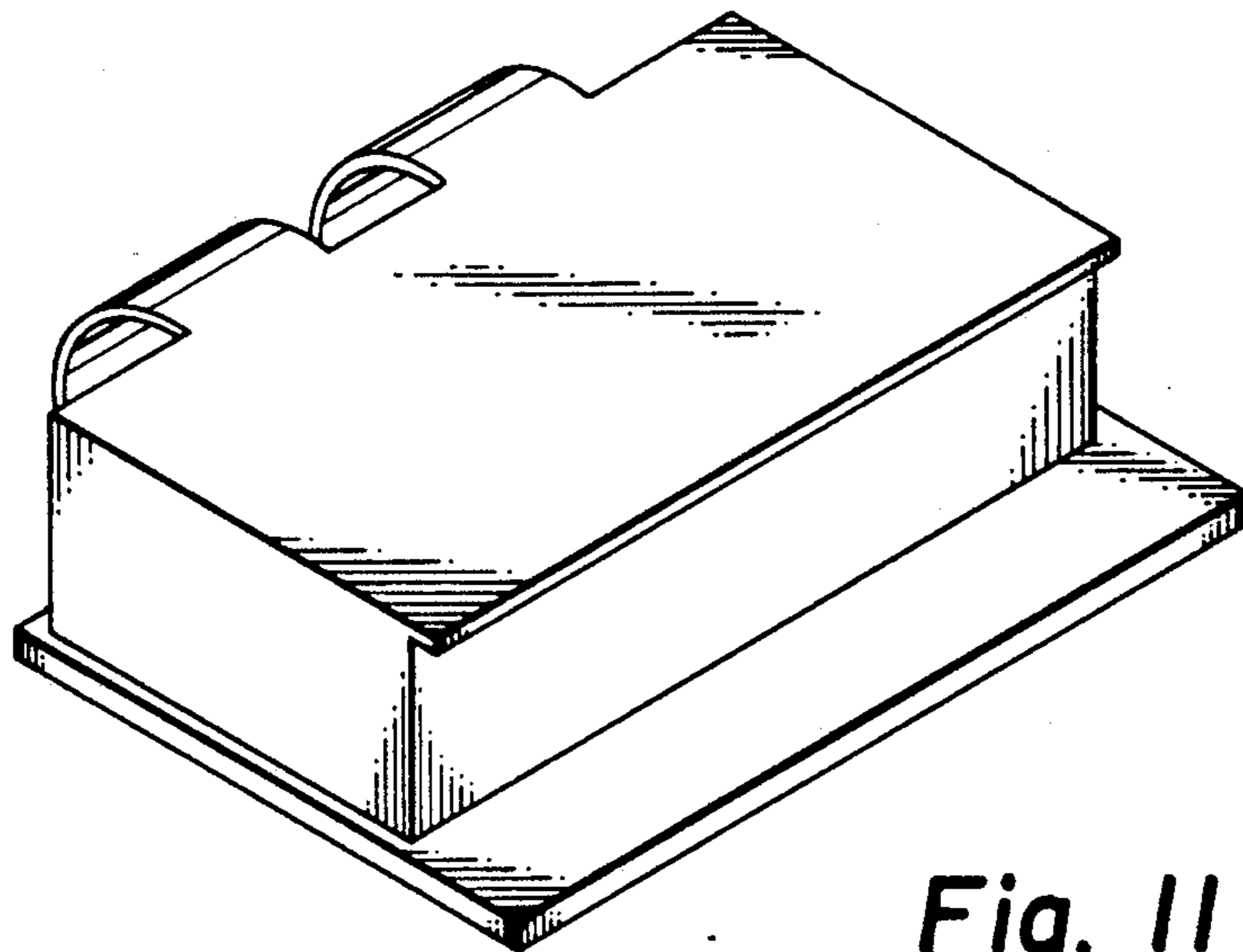
*Fig. 8*



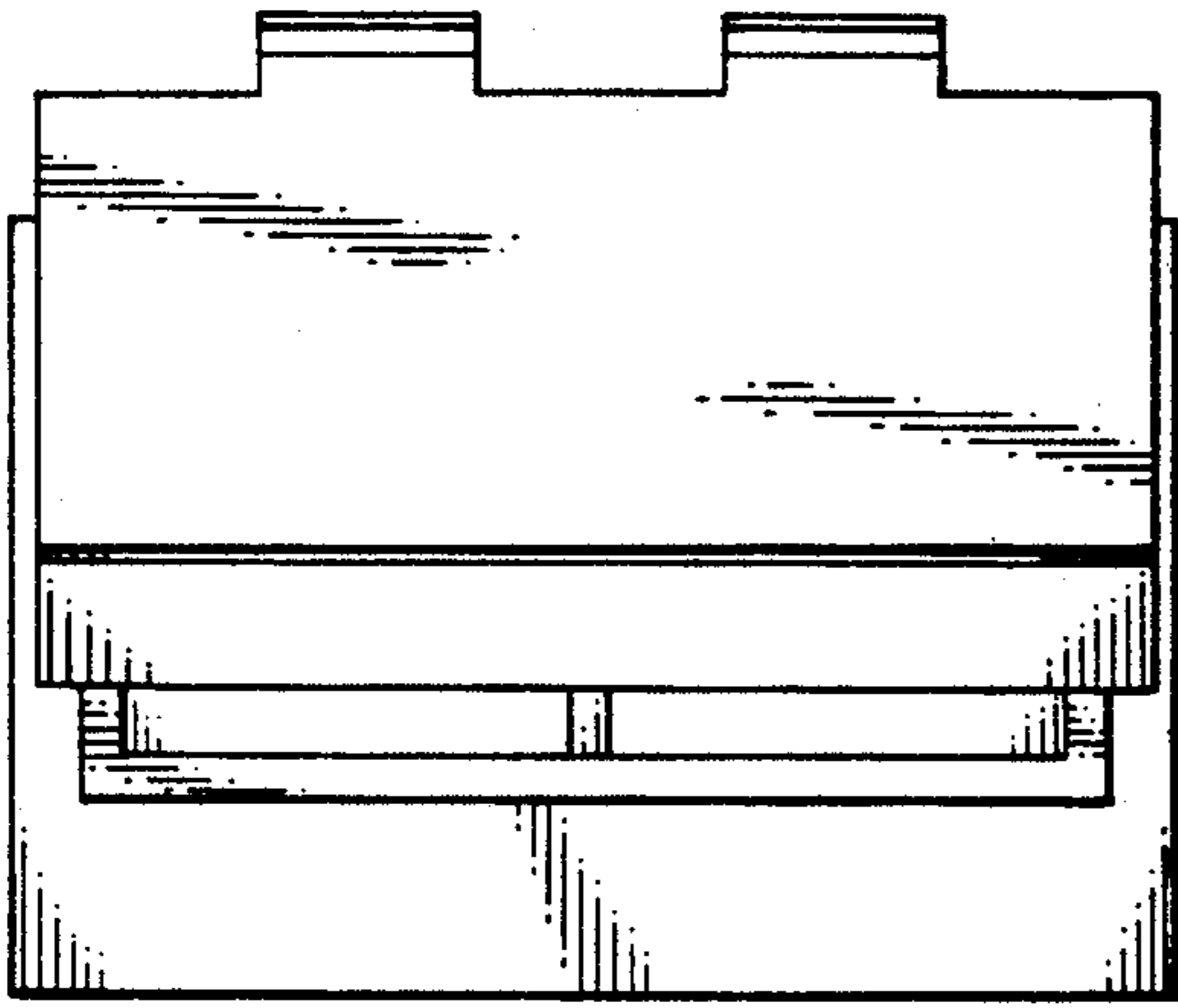
*Fig. 9*



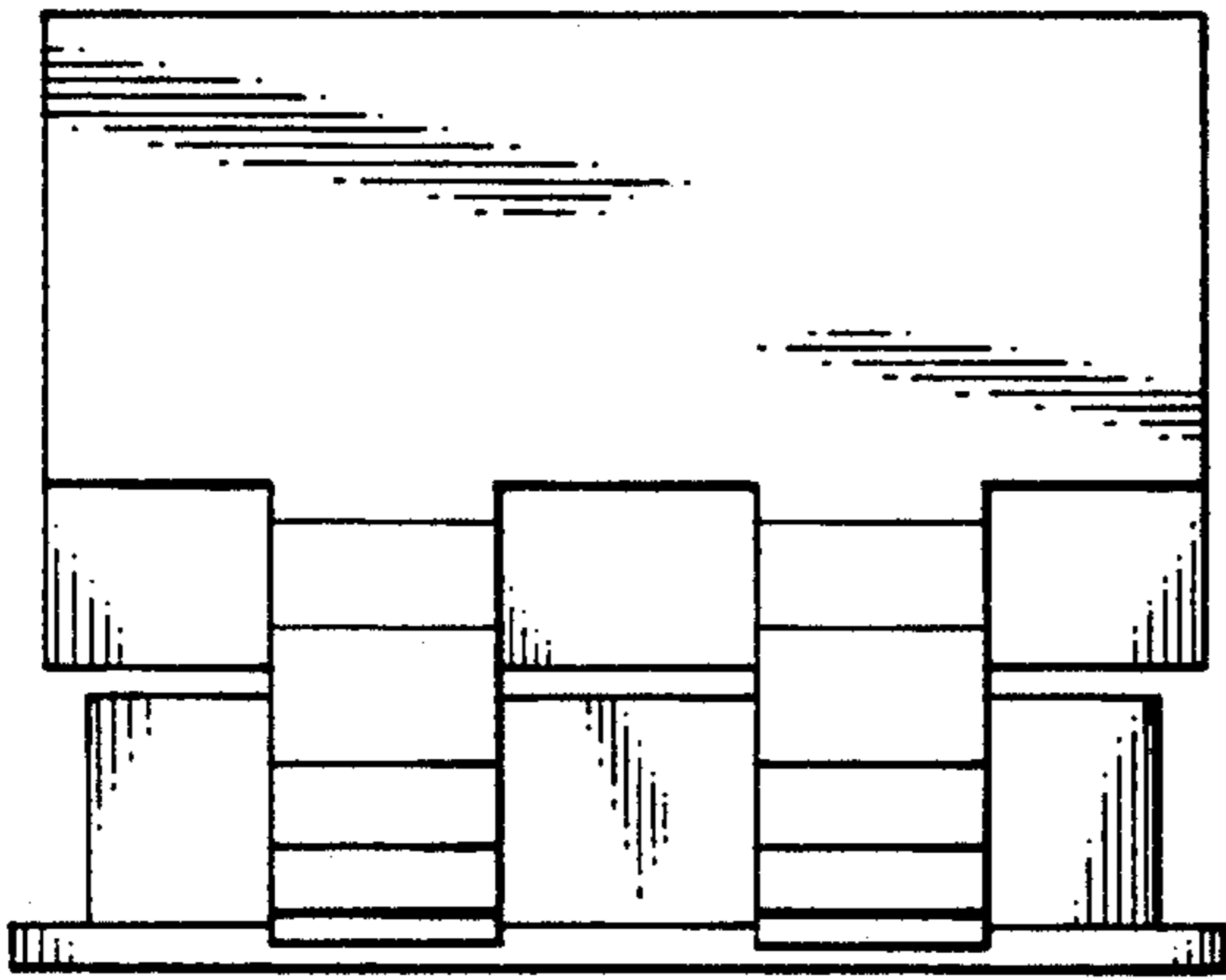
*Fig. 10*



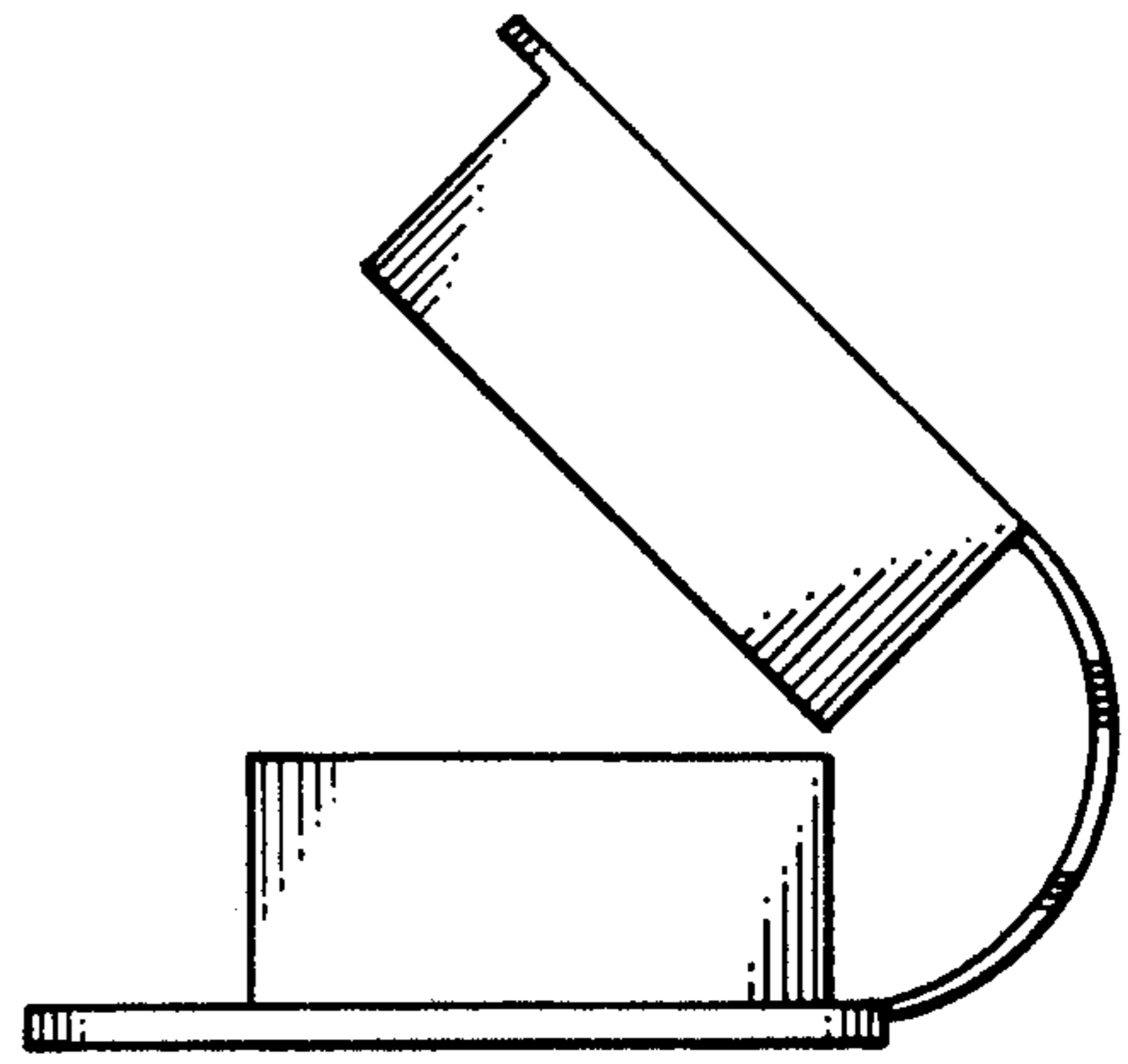
*Fig. 11*



*Fig. 12*



*Fig. 13*



*Fig. 14*



*Fig. 15*