



US00D331585S

United States Patent [19]
Wolff

[11] **Patent Number: Des. 331,585**
[45] **Date of Patent: ** Dec. 8, 1992**

[54] **GRINDING INSTRUMENT**
[76] **Inventor: Robert Wolff, Im Kiesacker 12, 5446 Engelin, Fed. Rep. of Germany**
[**] **Term: 14 Years**
[21] **Appl. No.: 533,908**
[22] **Filed: Jun. 6, 1990**
[52] **U.S. Cl. D15/124; D15/126**
[58] **Field of Search D15/124, 125, 126; 51/170 R, 170 PT, 170 T, 170 TL, 170 EB, 170 MT, 171, 172, 173, 174, 175, 176, 177, 178, 179, 180**

2,350,098 5/1944 Decker 51/170 TL
4,920,702 5/1990 Kloss et al. 51/170 R

Primary Examiner—Donald P. Walsh
Assistant Examiner—Antoine D. Davis
Attorney, Agent, or Firm—Antonelli, Terry, Stout & Kraus

[57] **CLAIM**

The ornamental design for a grinding instrument, as shown.

DESCRIPTION

FIG. 1 is a top plan view of a grinding instrument showing my new design;
FIG. 2 is a front elevational view;
FIG. 3 is a right side elevational view; and,
FIG. 4 is a perspective view thereof.
The bottom plan view being flat and unadorned.

[56] **References Cited**
U.S. PATENT DOCUMENTS
D. 92,378 5/1934 Swingle D15/125

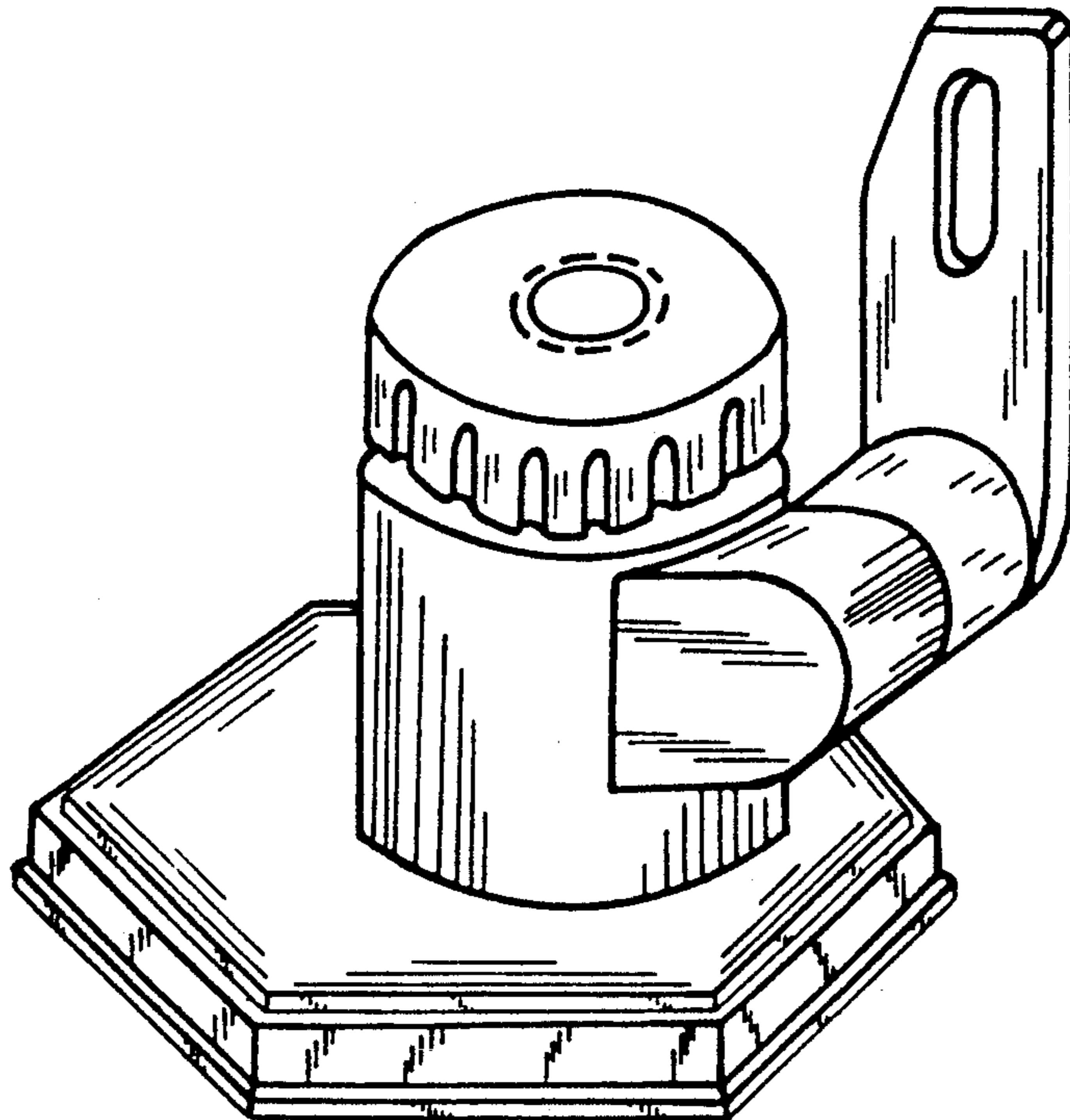


FIG. 1

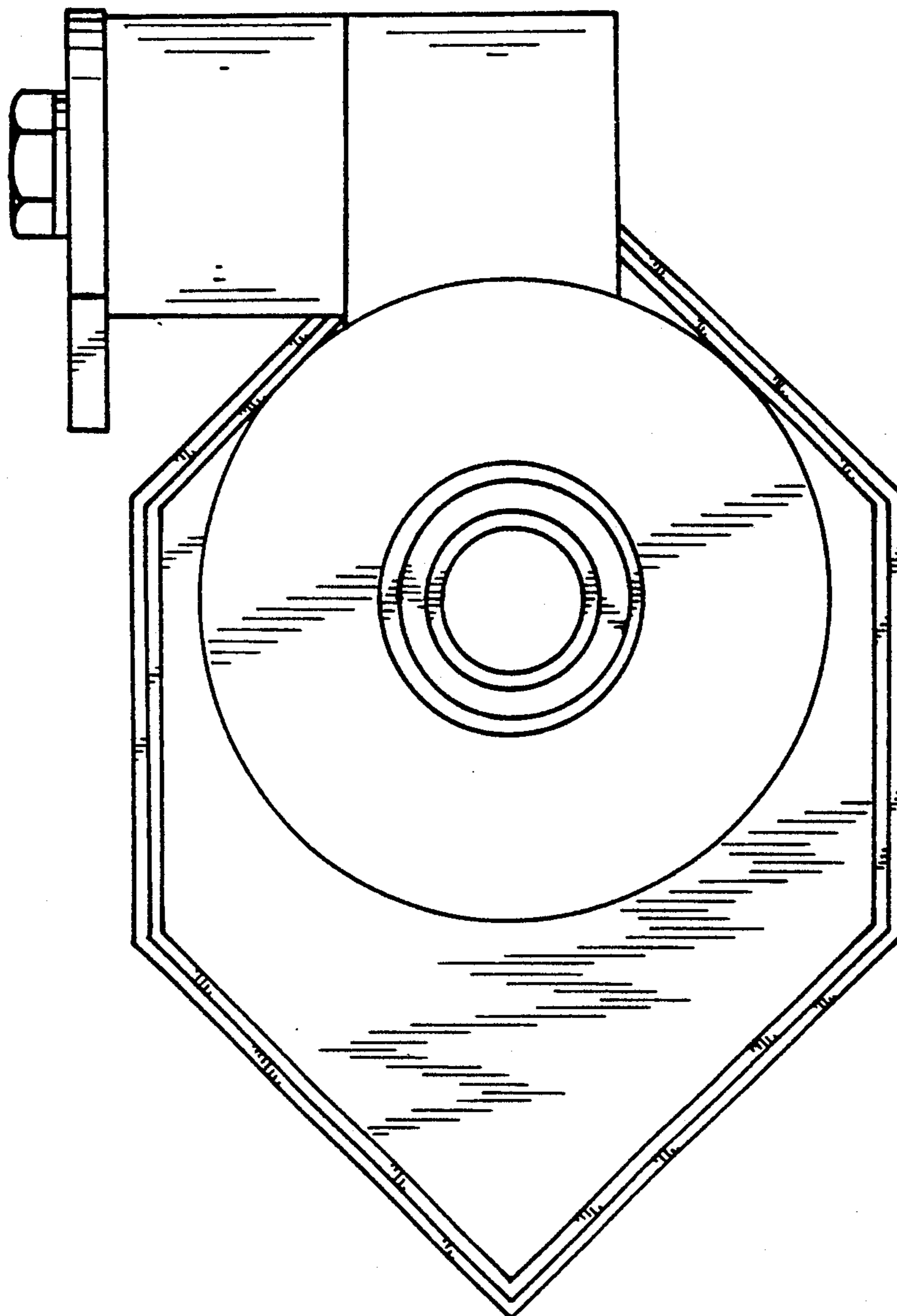


FIG. 2

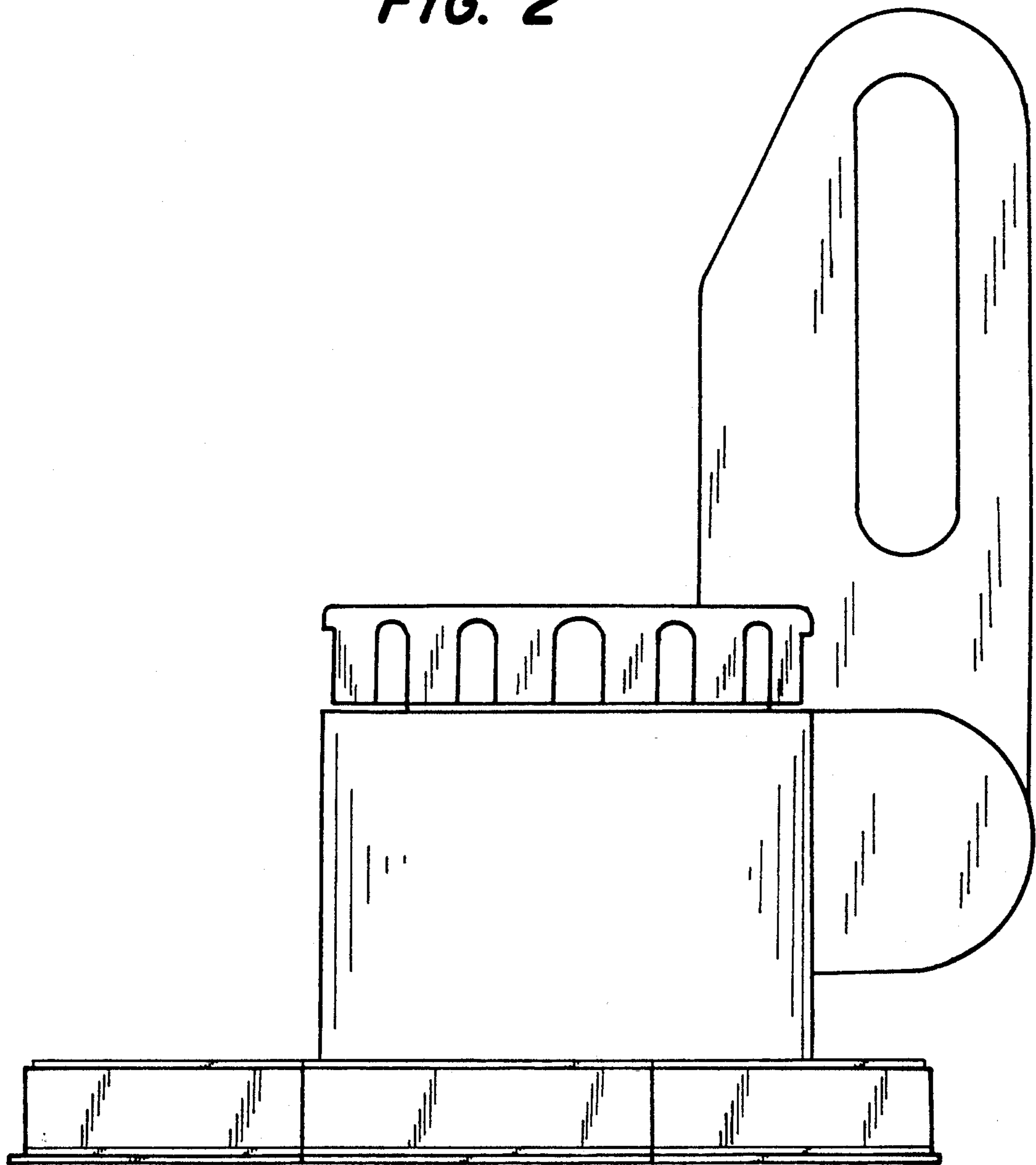


FIG. 3

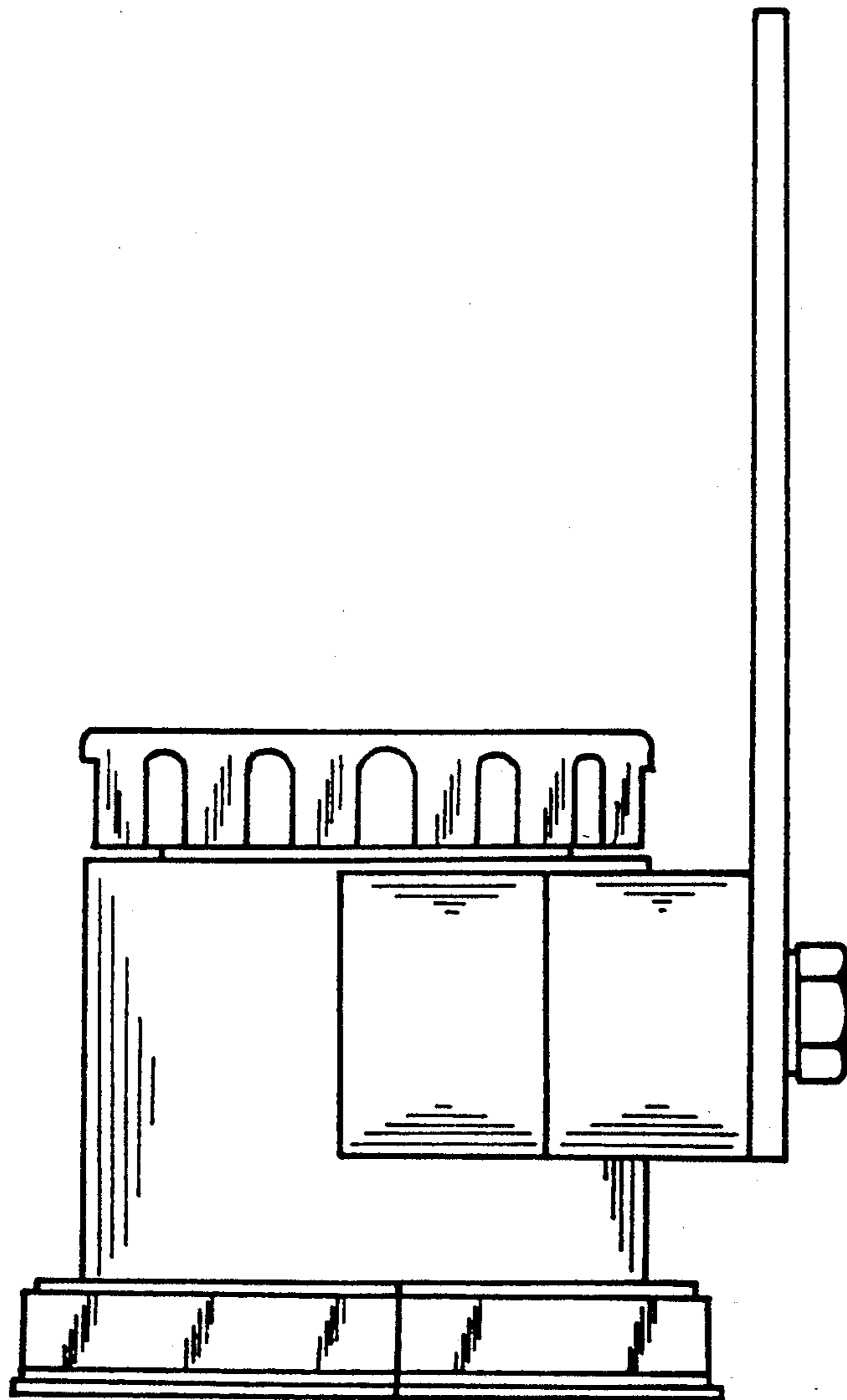


FIG. 4

