



US00D331584S

United States Patent [19]

Aizawa

[11] Patent Number: **Des. 331,584**

[45] Date of Patent: **** Dec. 8, 1992**

[54] AIR CYLINDER

[75] Inventor: Akira Aizawa, Soka, Japan

[73] Assignee: SMC Corporation, Tokyo, Japan

[**] Term: 14 Years

[21] Appl. No.: 489,642

[22] Filed: Feb. 28, 1990

[30] Foreign Application Priority Data

Aug. 30, 1989 [JP] Japan 1-31577

[52] U.S. Cl. D15/7; D15/5

[58] Field of Search D15/1, 2, 4, 5, 7-9;
417/403, 404; 91/275

[56] References Cited

U.S. PATENT DOCUMENTS

D. 244,681 6/1977 Bell D15/7

D. 264,972 6/1982 McMillin et al. D15/7

D. 295,753 5/1988 La Bair D15/7
4,597,721 7/1986 Santefour 91/275

Primary Examiner—A. Hugo Word

Assistant Examiner—R. Seifert

Attorney, Agent, or Firm—Oblon, Spivak, McClelland,
Maier & Neustadt

[57] CLAIM

The ornamental design for an air cylinder, as shown.

DESCRIPTION

FIG. 1 is a front elevational view of an air cylinder showing my new design;

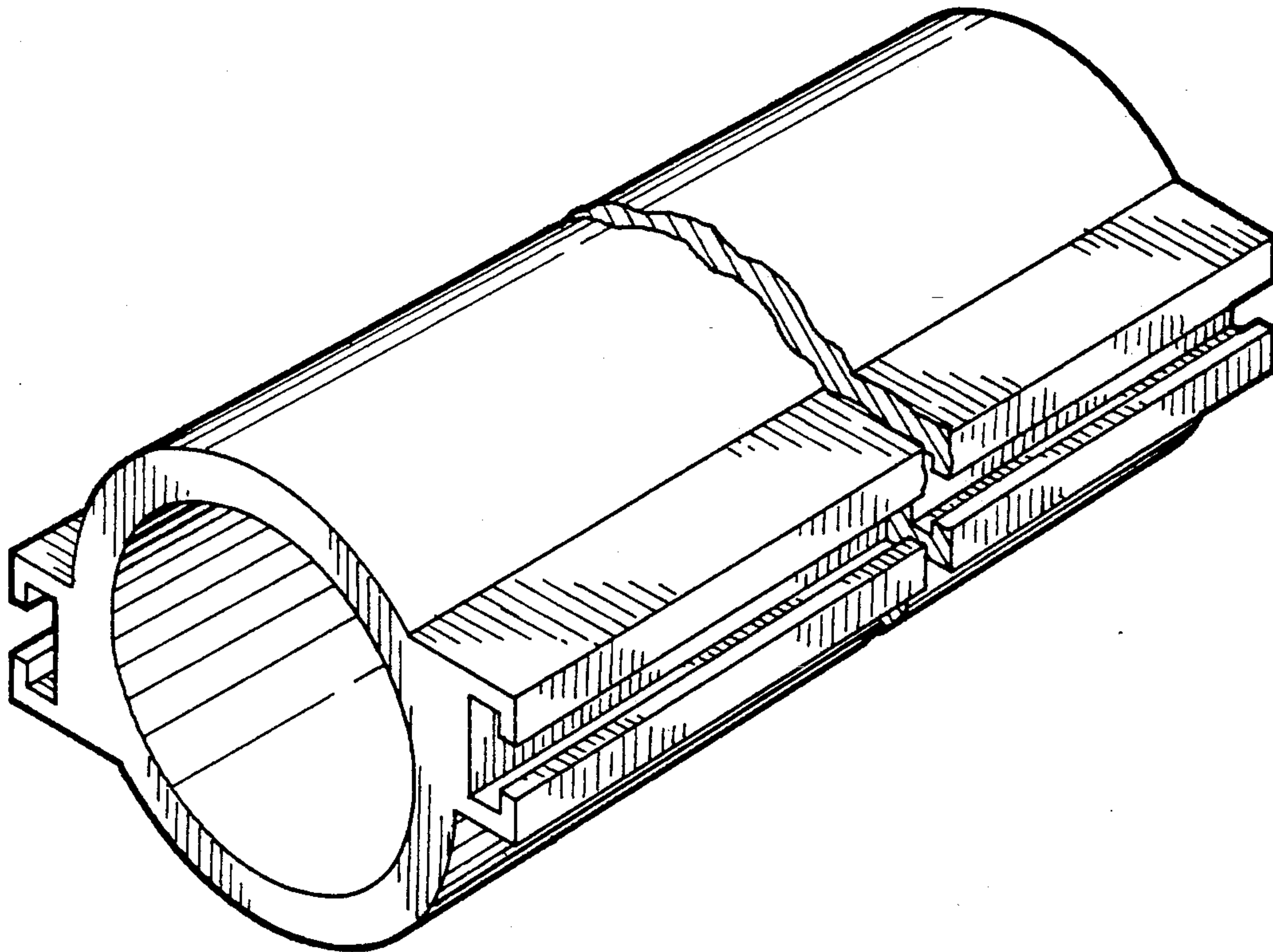
FIG. 2 is a top plan view, the opposite side view being a mirror image;

FIG. 3 is a right side elevational view;

FIG. 4 is a left side elevational view;

FIG. 5 is a sectional view taken along the lines 5—5 of FIG. 3; and,

FIG. 6 is a perspective view.



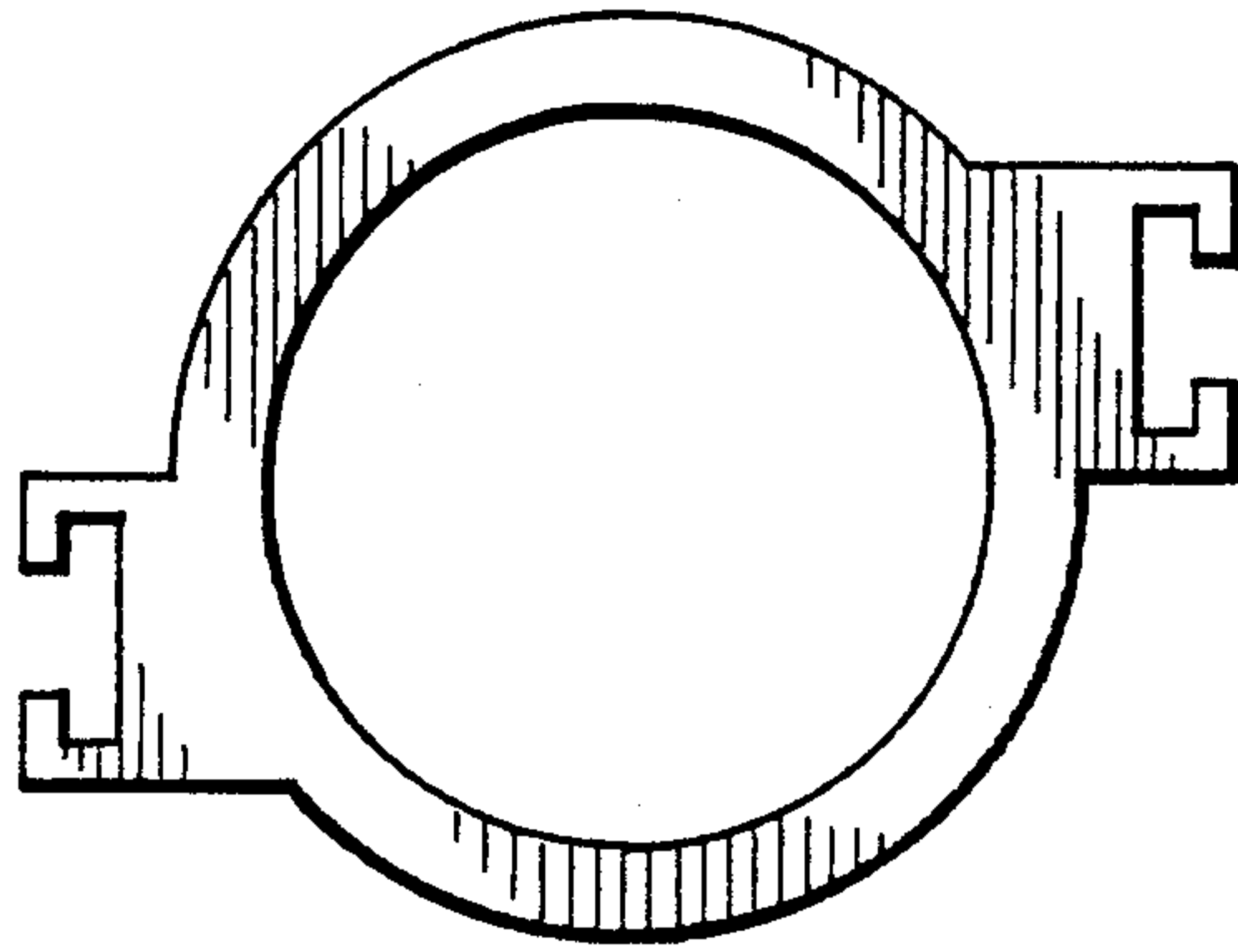


FIG. 1

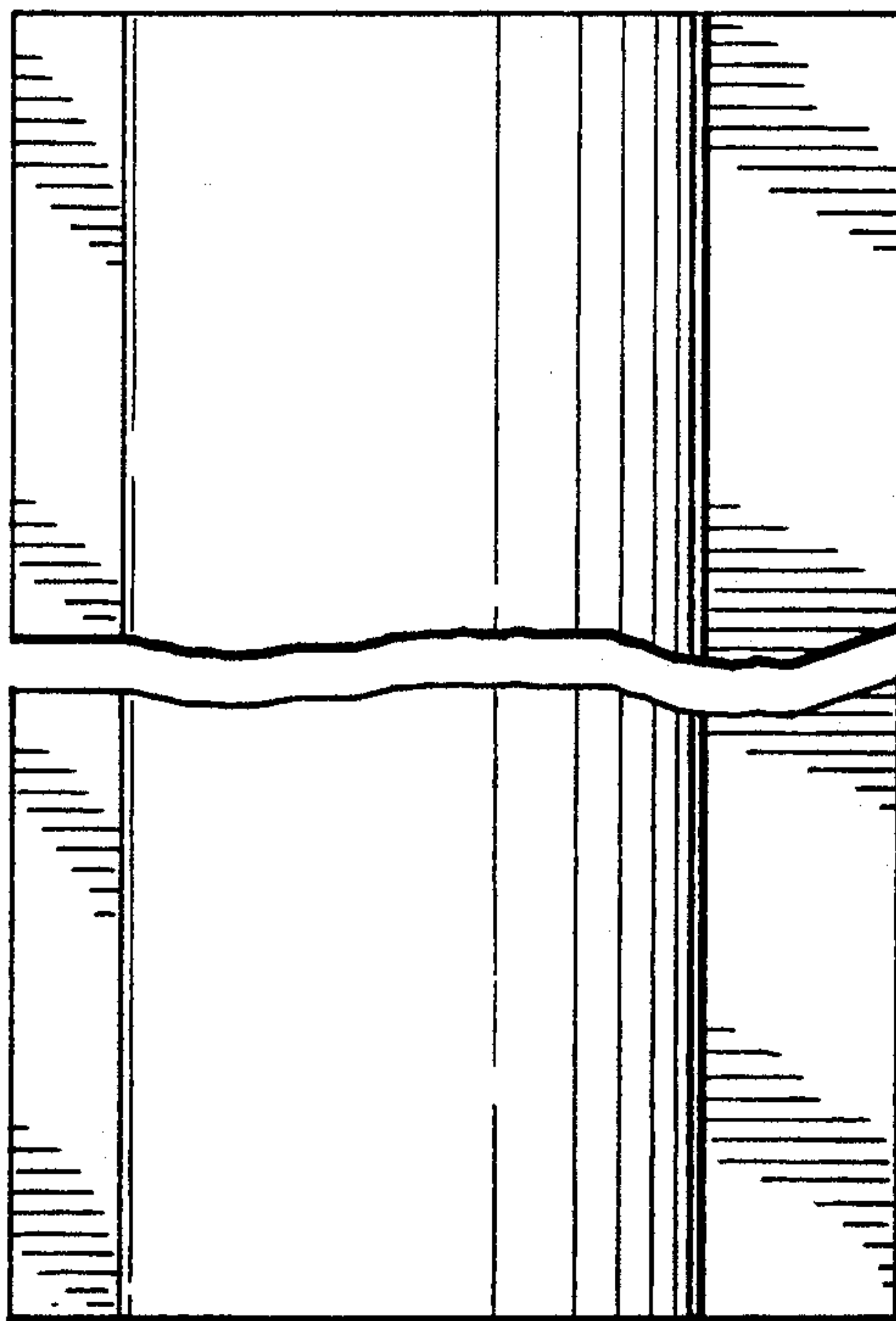


FIG. 2

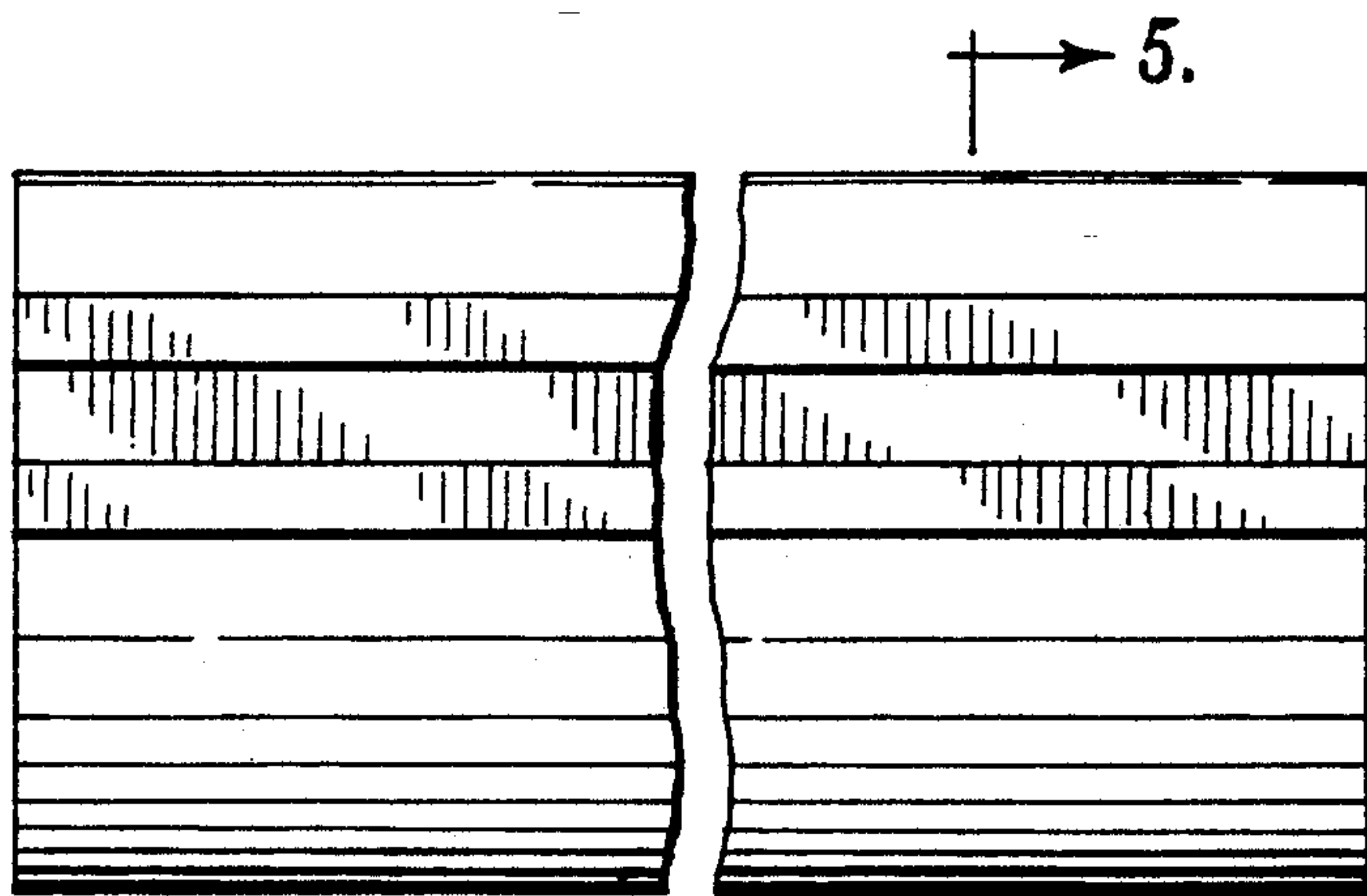


FIG. 3 | → 5.

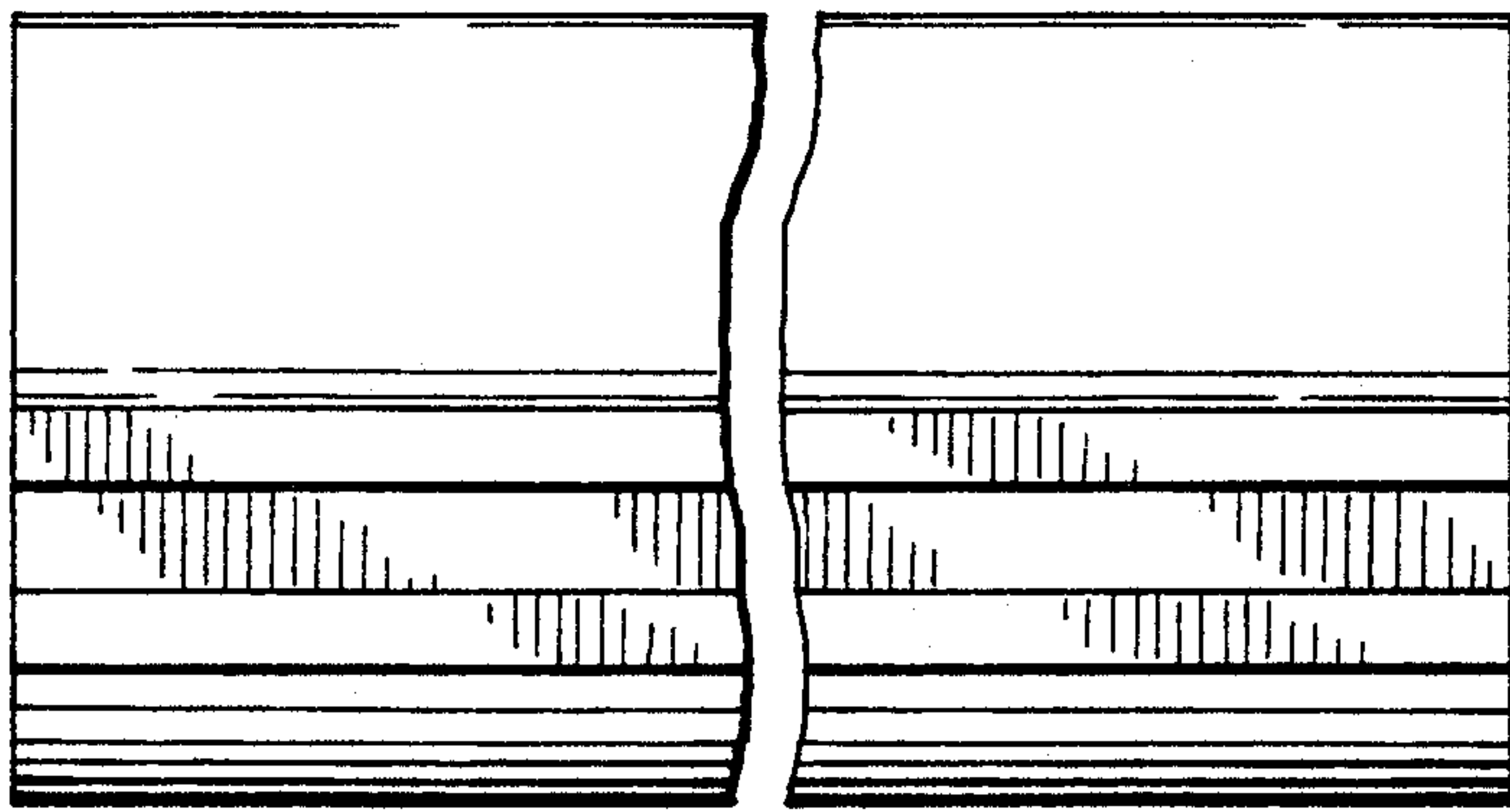


FIG. 4

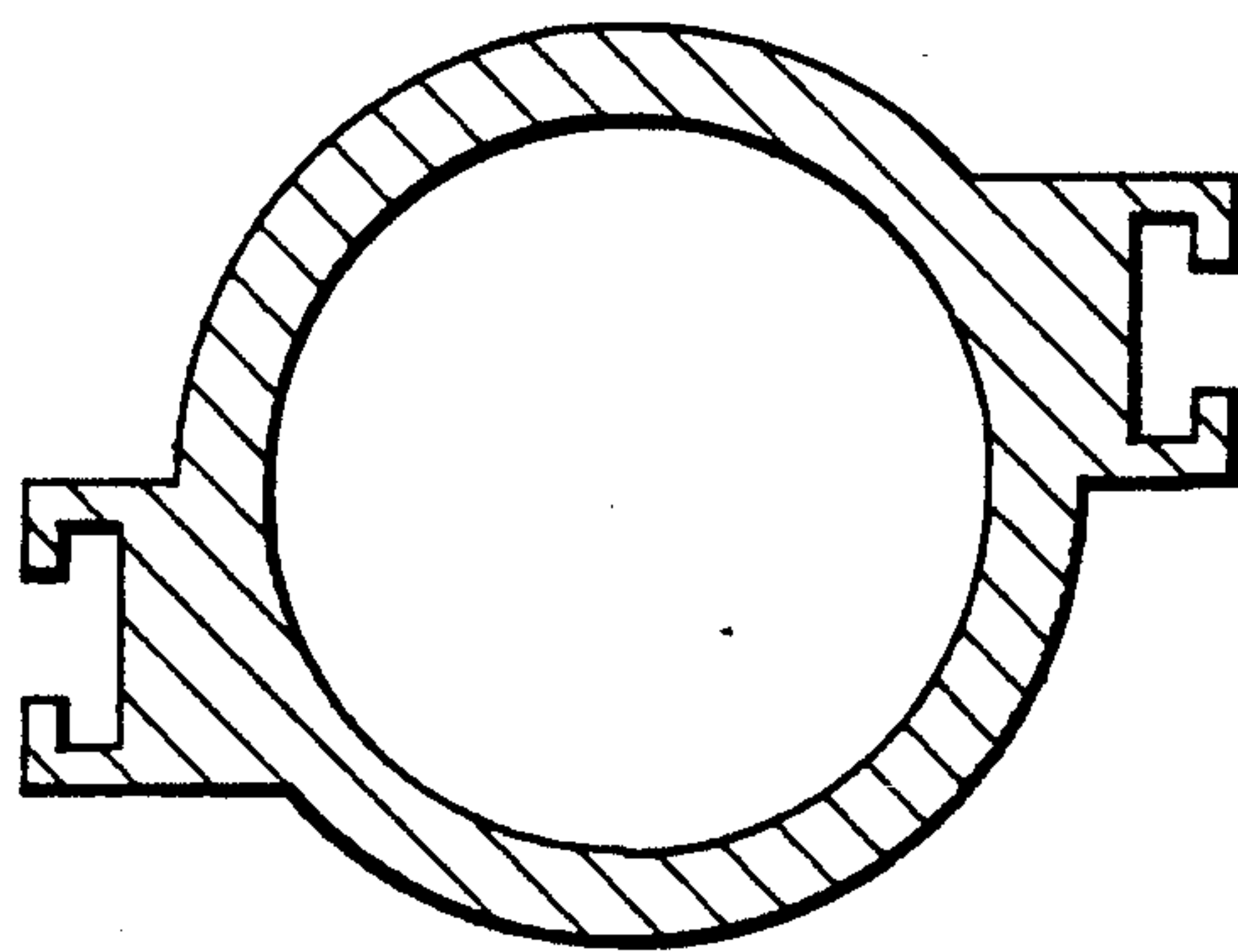


FIG. 5

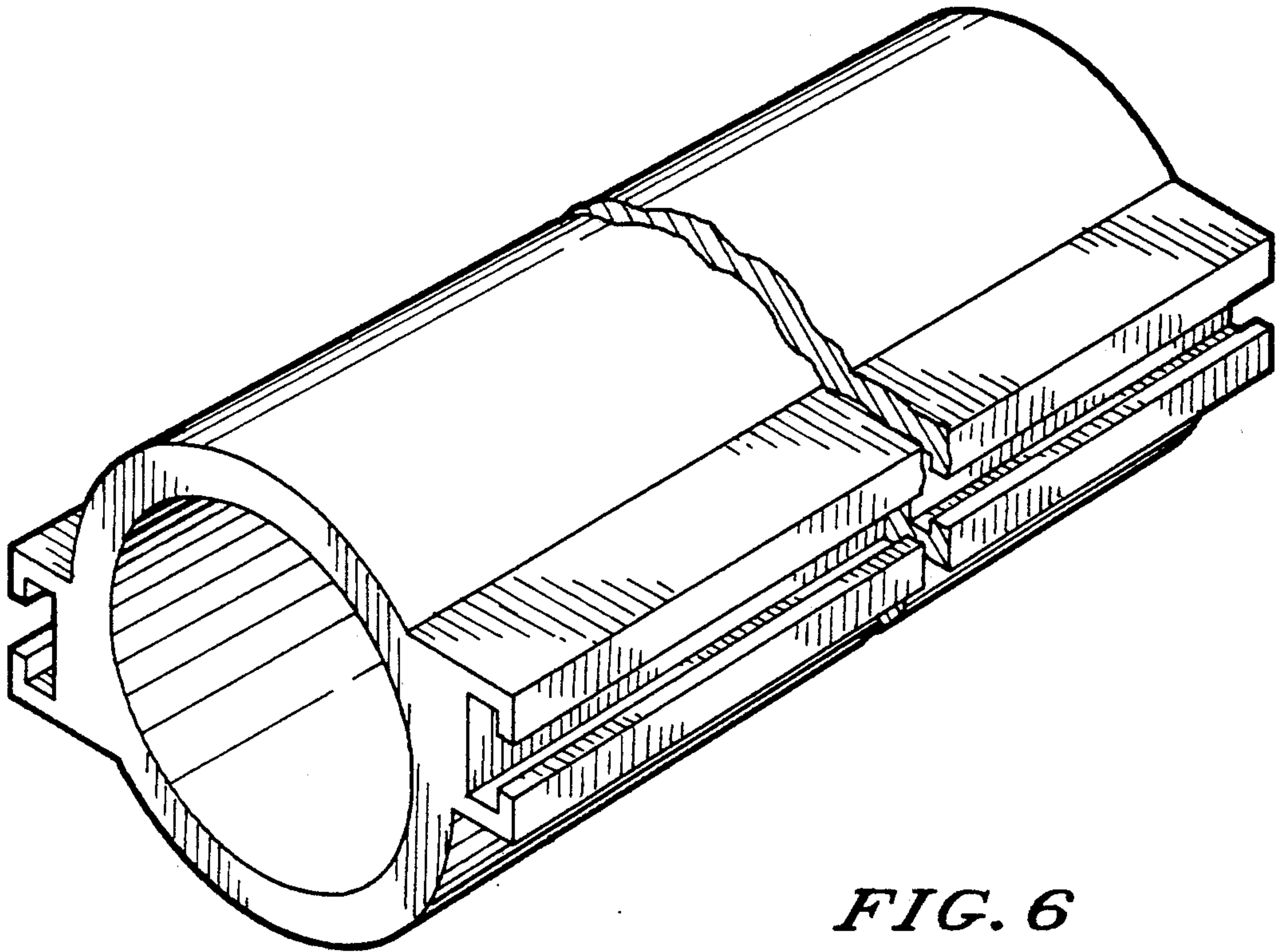


FIG. 6