



US00D331580S

United States Patent [19]

Sakaue et al.

[11] Patent Number: **Des. 331,580**

[45] Date of Patent: **** Dec. 8, 1992**

[54] **FACSIMILE MACHINE**

[75] Inventors: **Kenji Sakaue, Nara; Shigetoshi Ishikawa, Hyogo, both of Japan**

[73] Assignee: **Mita Industrial Co., Ltd., Osaka, Japan**

[**] Term: **14 Years**

[21] Appl. No.: **799,629**

[22] Filed: **Nov. 29, 1991**

[30] **Foreign Application Priority Data**

Jun. 21, 1991 [JP] Japan 3-18666

[52] U.S. Cl. **D14/118**

[58] Field of Search D14/118, 124, 299;
D18/36, 37; 358/400, 401

[56] **References Cited**

U.S. PATENT DOCUMENTS

D. 301,581 6/1989 Watanabe D14/118

D. 304,186 10/1989 Kojima D14/118

D. 313,992 1/1991 Suge D14/118
D. 318,485 7/1991 Hikawa et al. D18/37

OTHER PUBLICATIONS

The Office, May 1988, p. 75, Omnifax facsimile.

Primary Examiner—Theodore M. Shooman
Attorney, Agent, or Firm—Sughrue, Mion, Zinn,
Macpeak & Seas

[57] **CLAIM**

The ornamental design for a facsimile machine, as shown.

DESCRIPTION

FIG. 1 is a front, top and left side perspective view of a facsimile machine showing our new design; FIG. 2 is a front elevational view thereof; FIG. 3 is a top plan view thereof; FIG. 4 is a right side elevational view thereof; FIG. 5 is a left side elevational view thereof; FIG. 6 is a rear elevational view thereof; and, FIG. 7 is a bottom plan view thereof.

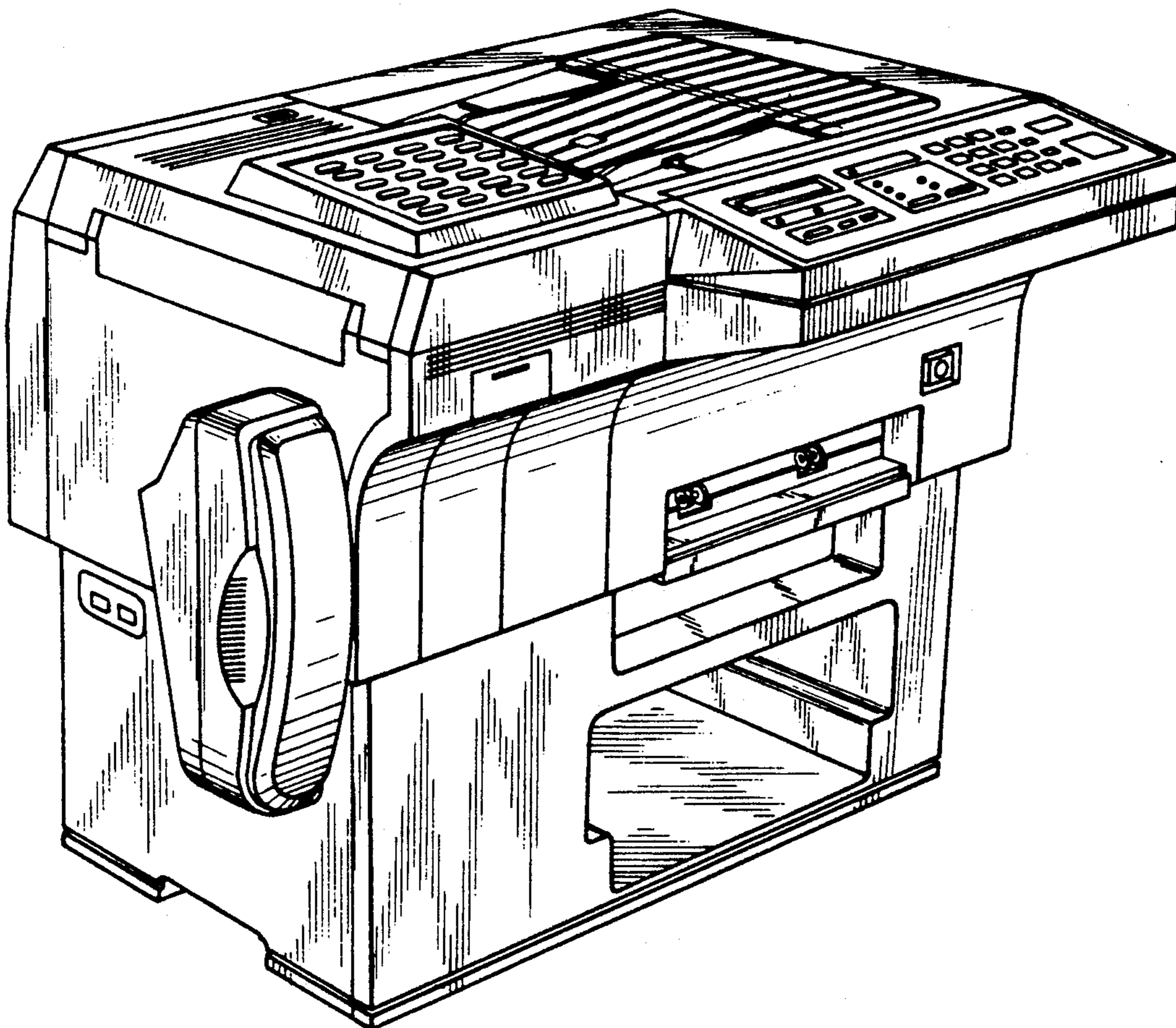


FIG. 1

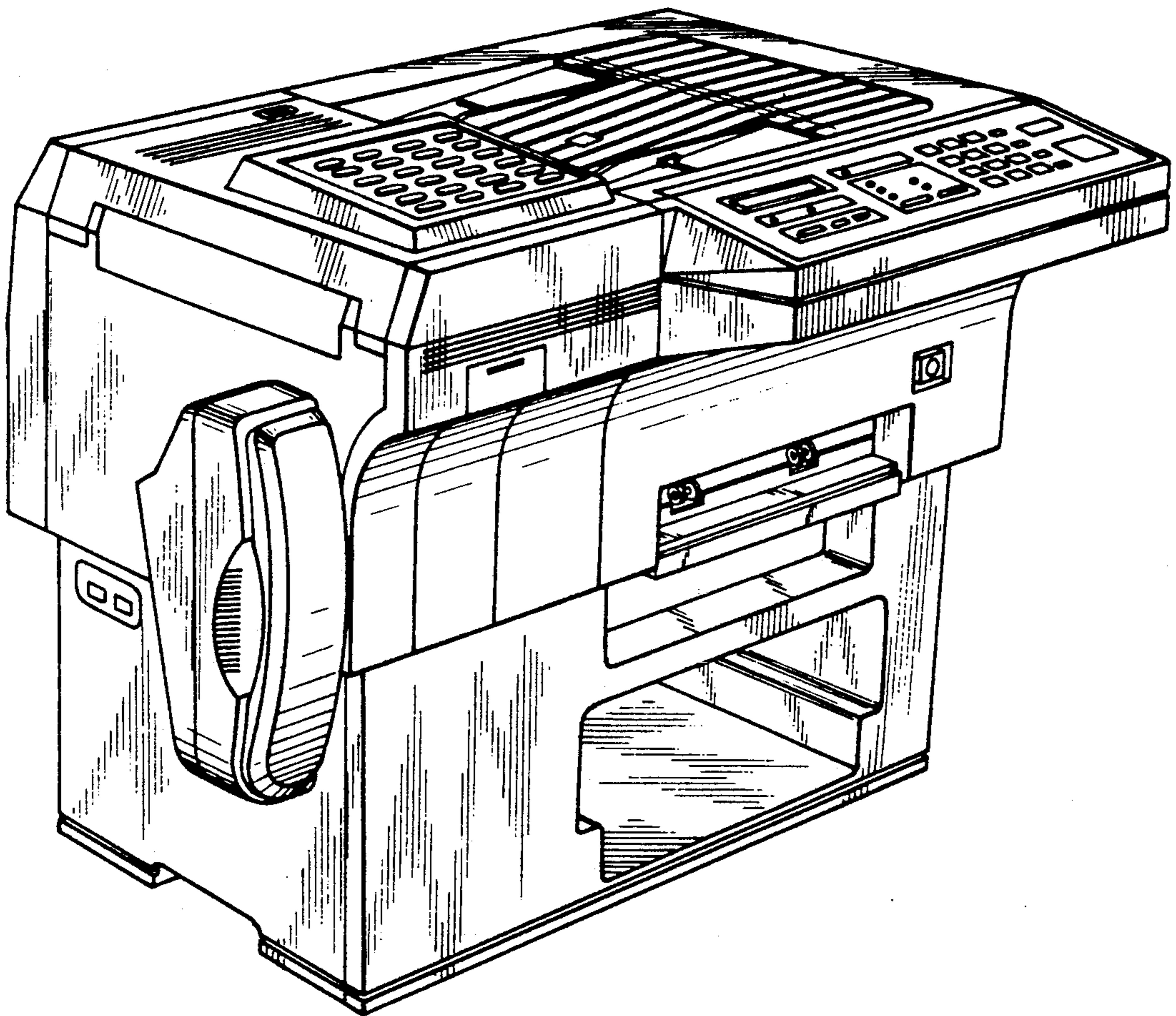


FIG. 2

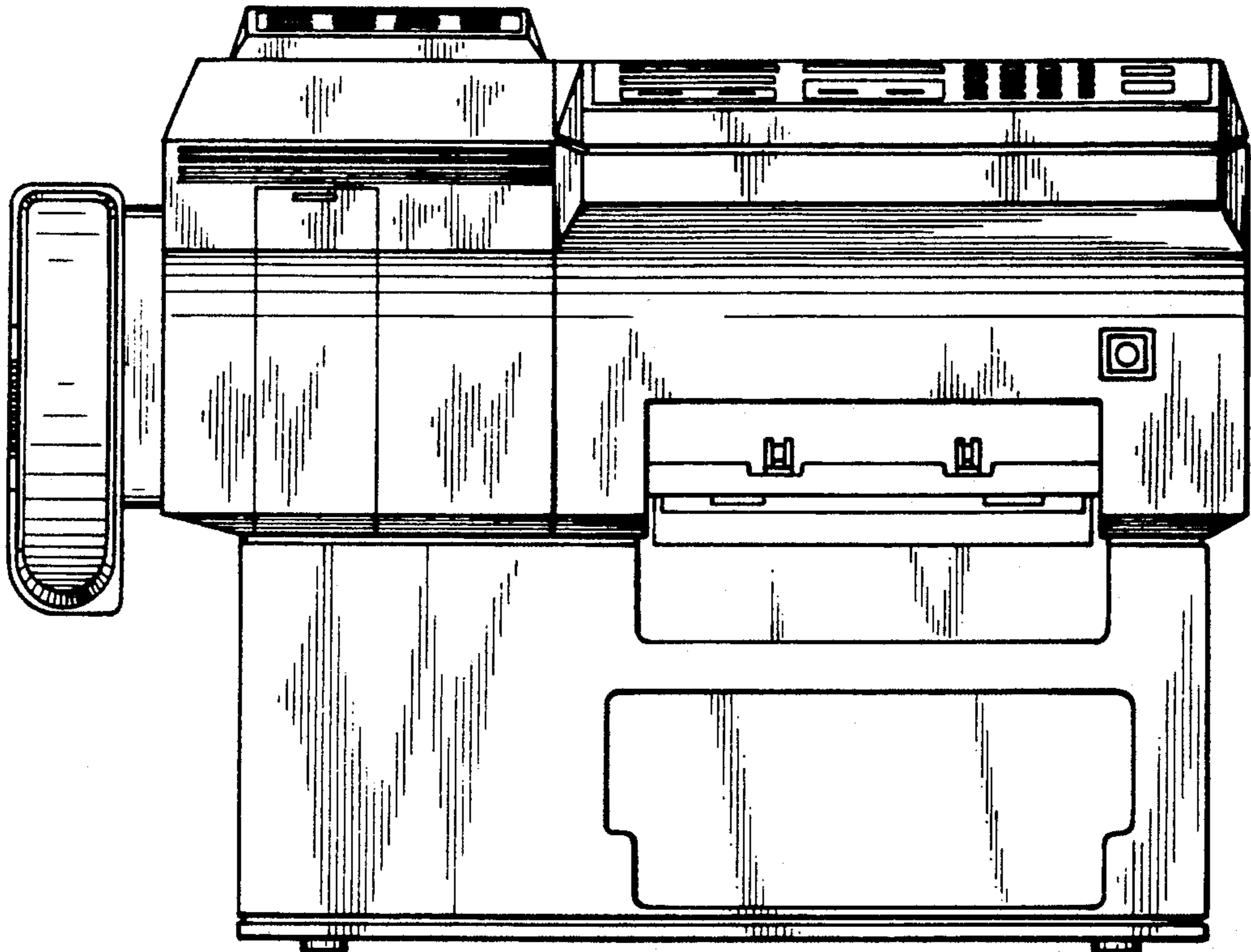


FIG. 3

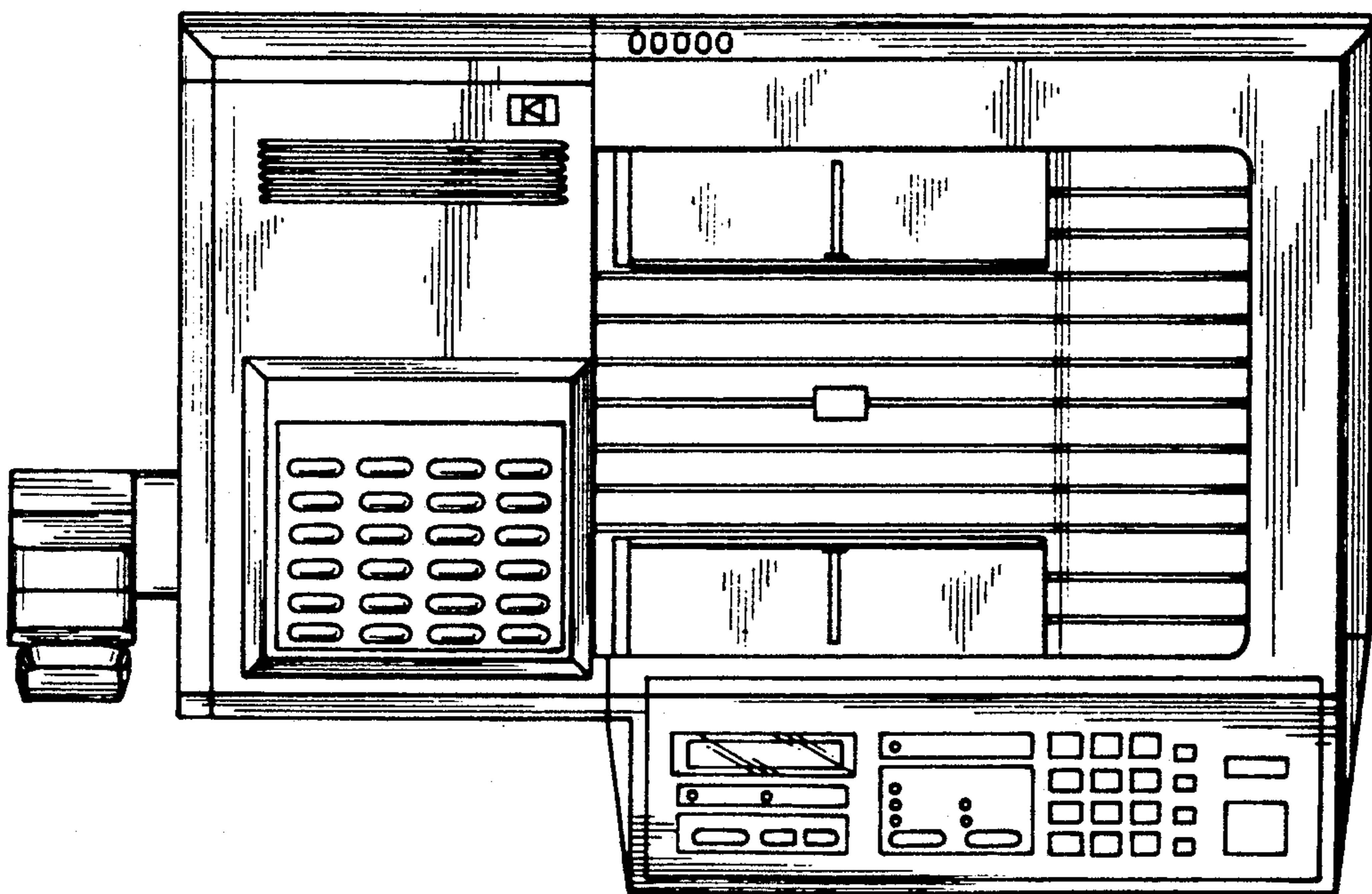


FIG. 4

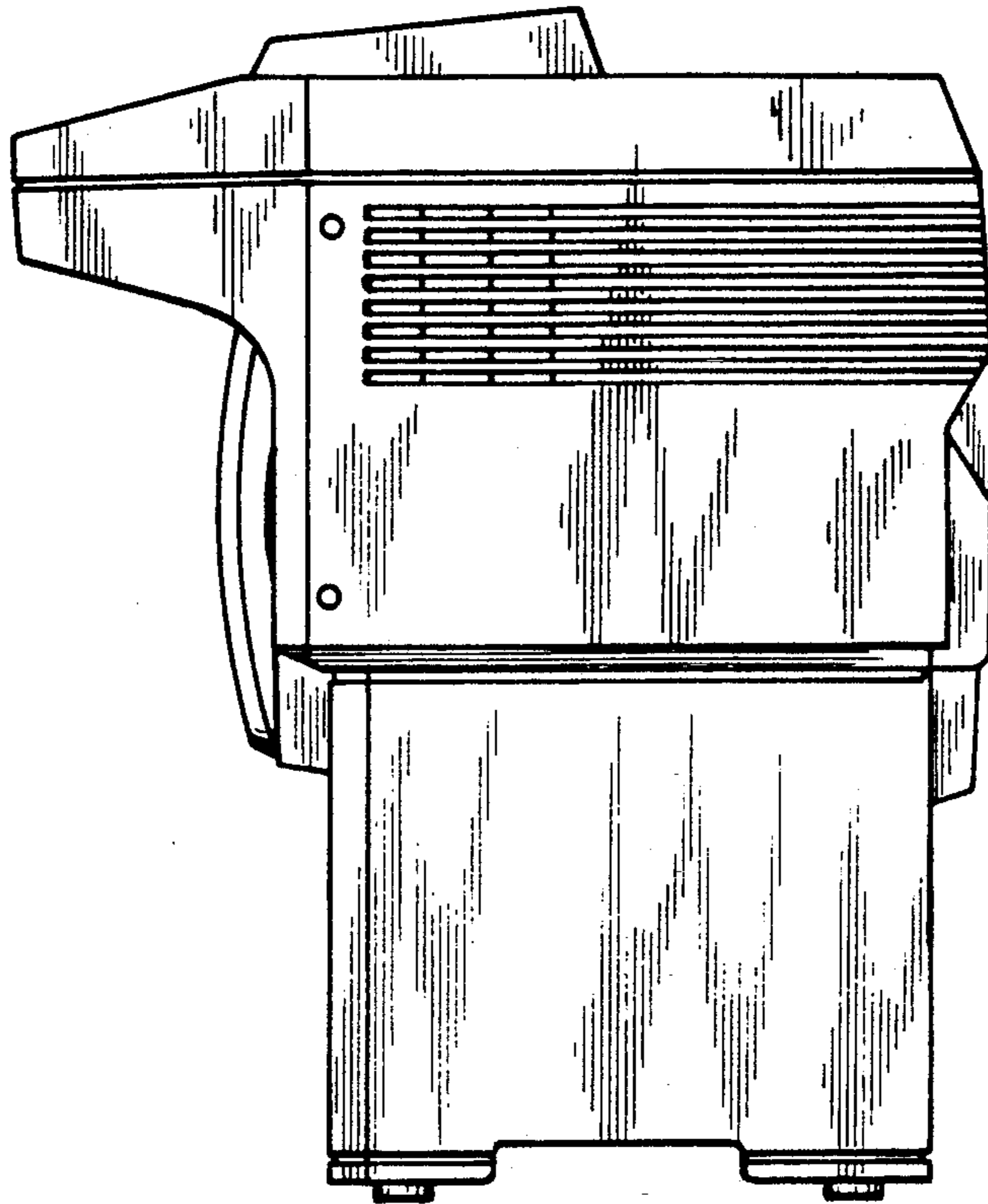


FIG. 5

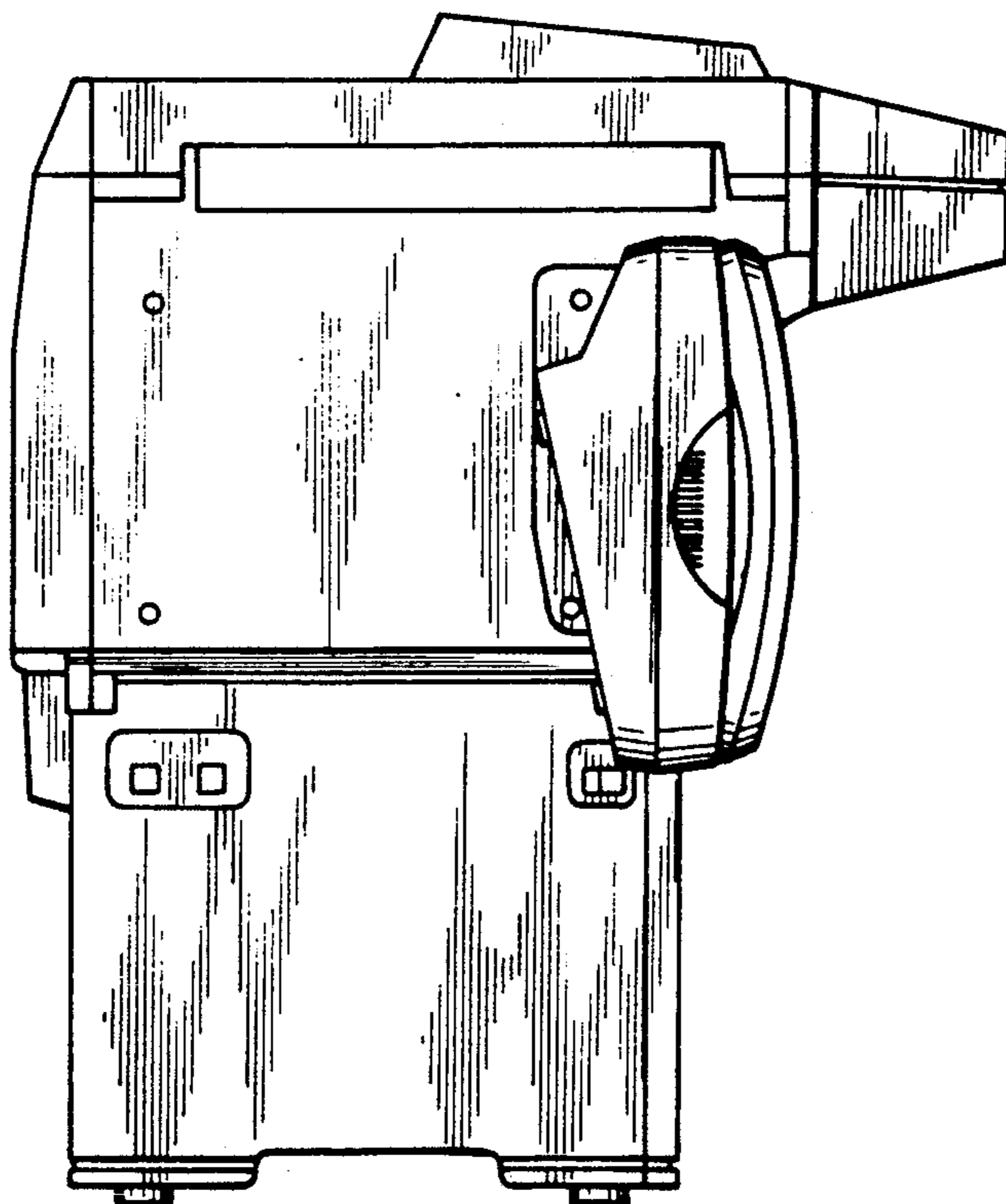


FIG. 6

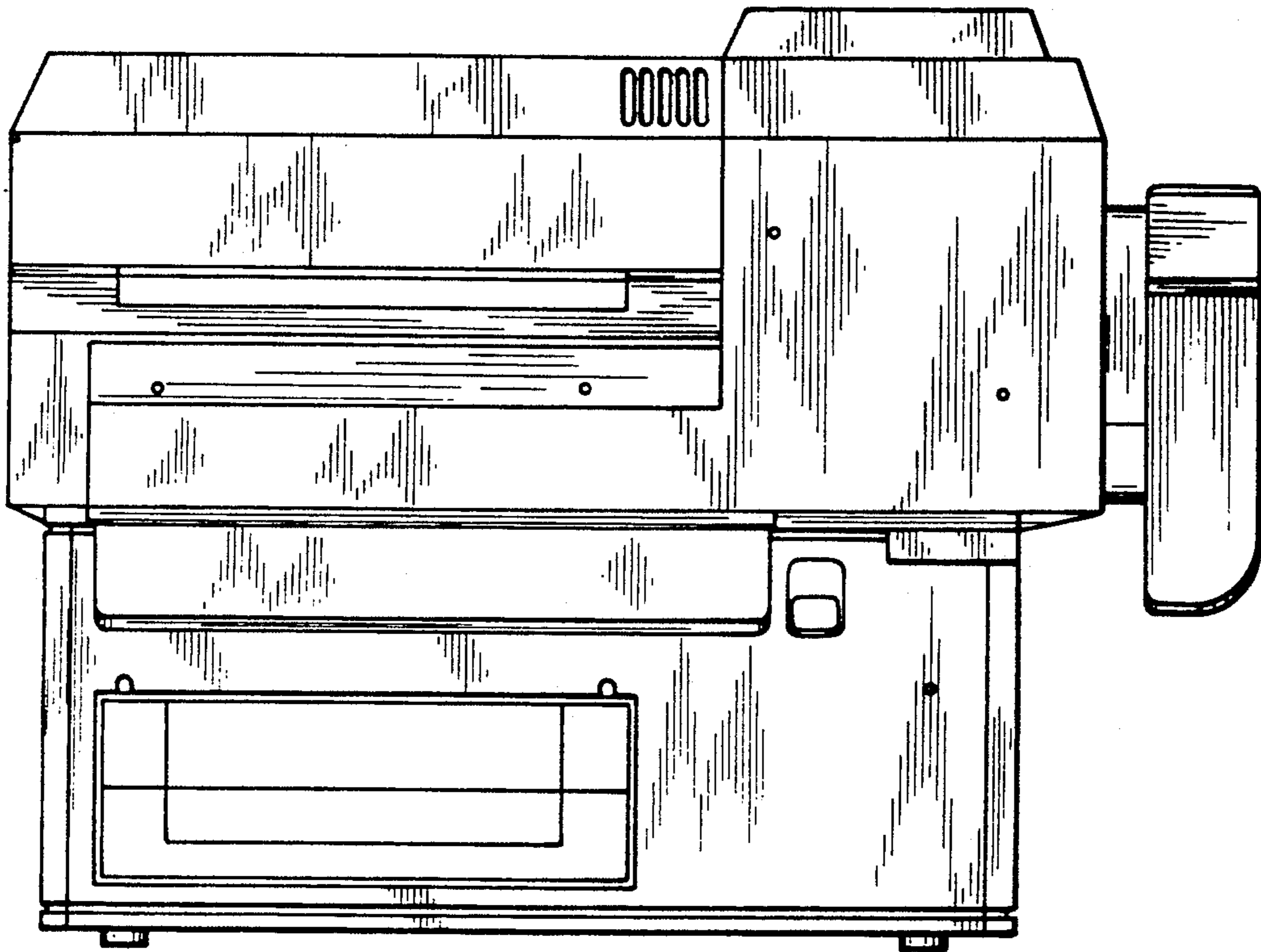


FIG. 7

