



US00D331578S

United States Patent [19]

Hiroki et al.

[11] Patent Number: **Des. 331,578**

[45] Date of Patent: **** Dec. 8, 1992**

[54] **FACSIMILE TRANSRECEIVER**

[75] Inventors: **Shin-Ichi Hiroki**, Tokyo; **Masahiko Kashiwabara**, Yokohama, both of Japan

[73] Assignee: **Kabushiki Kaisha Toshiba**, Kawasaki, Japan

[**] Term: **14 Years**

[21] Appl. No.: **651,993**

[22] Filed: **Feb. 7, 1991**

[30] **Foreign Application Priority Data**

Aug. 7, 1990 [JP] Japan 2-26545

[52] U.S. Cl. **D14/118**

[58] Field of Search **D14/118, 124, 299; D18/36, 37; 358/400, 401**

[56] **References Cited**

U.S. PATENT DOCUMENTS

- D. 313,990 1/1991 Hiroki D14/118
- D. 314,956 2/1991 Tsukada D14/118
- D. 315,150 3/1991 Nagata et al. D14/118
- D. 315,345 3/1991 Hara et al. D14/118
- D. 323,494 1/1992 Kashiwabara et al. D14/118

OTHER PUBLICATIONS

HFD, Jul. 17, 1989, p. 97, top right—Tote Vision Model HF-300 facsimile.

Brochure of NTTFAX-22R, Nihon-denshindenwa Corporation, Oct. 1, 1989.

Article of DENPA Newspaper, Aug. 1, 1989, HIFAX J20, Hitachi Corporation.

Article of DENPA Newspaper, Dec. 22, 1989, FO-501, Sharp Corporation.

Brochure of PANAFAX UF 33, Feb. 1988, Matsushita Denki Corporation.

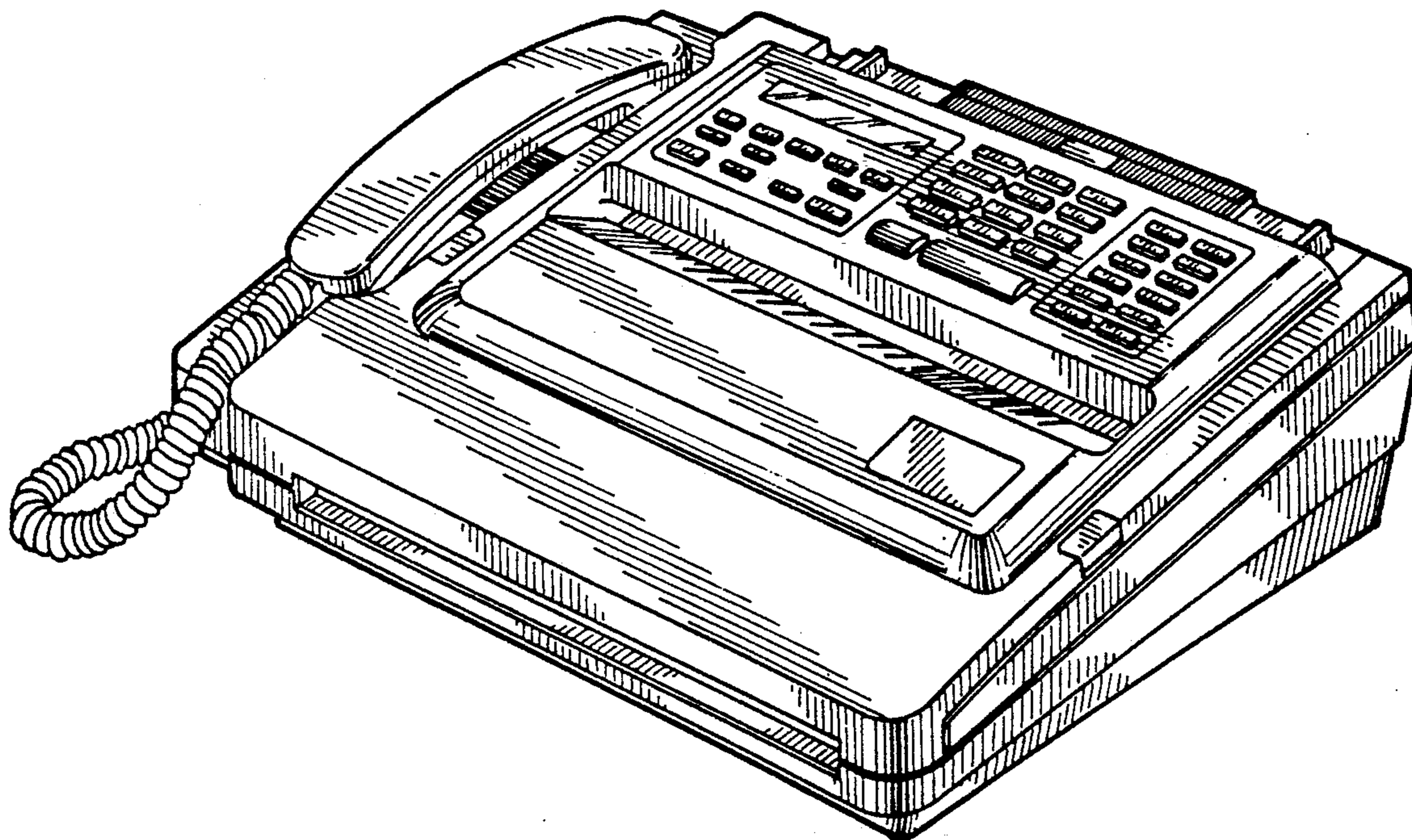
Primary Examiner—Theodore M. Shooman
Attorney, Agent, or Firm—Oblon, Spivak, McClelland, Maier & Neustadt

[57] **CLAIM**

The ornamental design for a facsimile transreceiver, as shown and described.

DESCRIPTION

FIG. 1 is a top, front and right side view of a facsimile transreceiver, showing our new design;
 FIG. 2 is a top plan view thereof;
 FIG. 3 is a bottom plan view thereof;
 FIG. 4 is a front elevational view thereof;
 FIG. 5 is a rear elevational view thereof;
 FIG. 6 is a right side elevational view thereof;
 FIG. 7 is a left side elevational view thereof;
 FIG. 8 is a top, front and left side perspective view thereof with the handset in a dismounted position; and,
 FIG. 9 is a top, front and right side view showing the cover in an open position for insertion of paper.



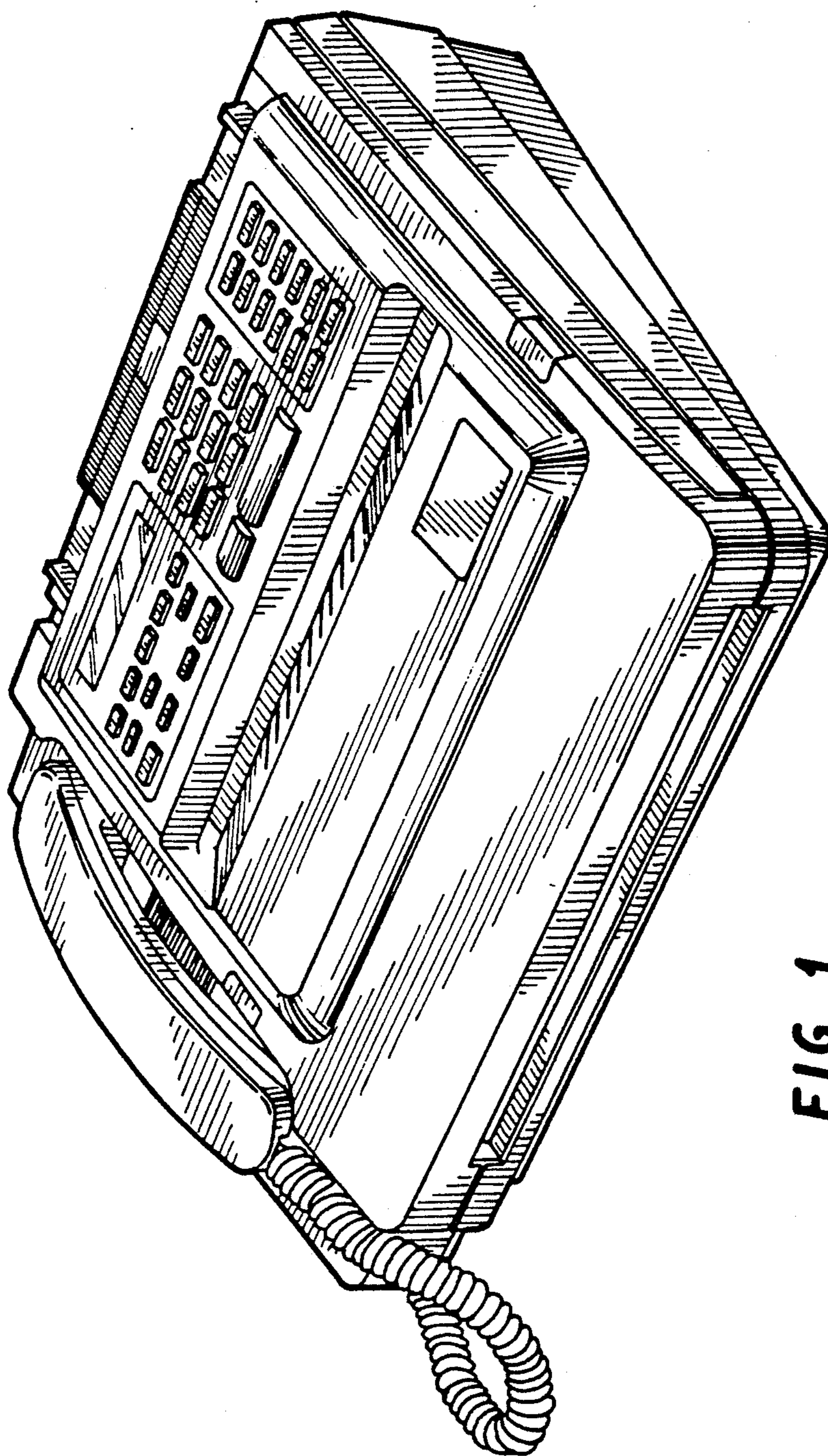


FIG. 1

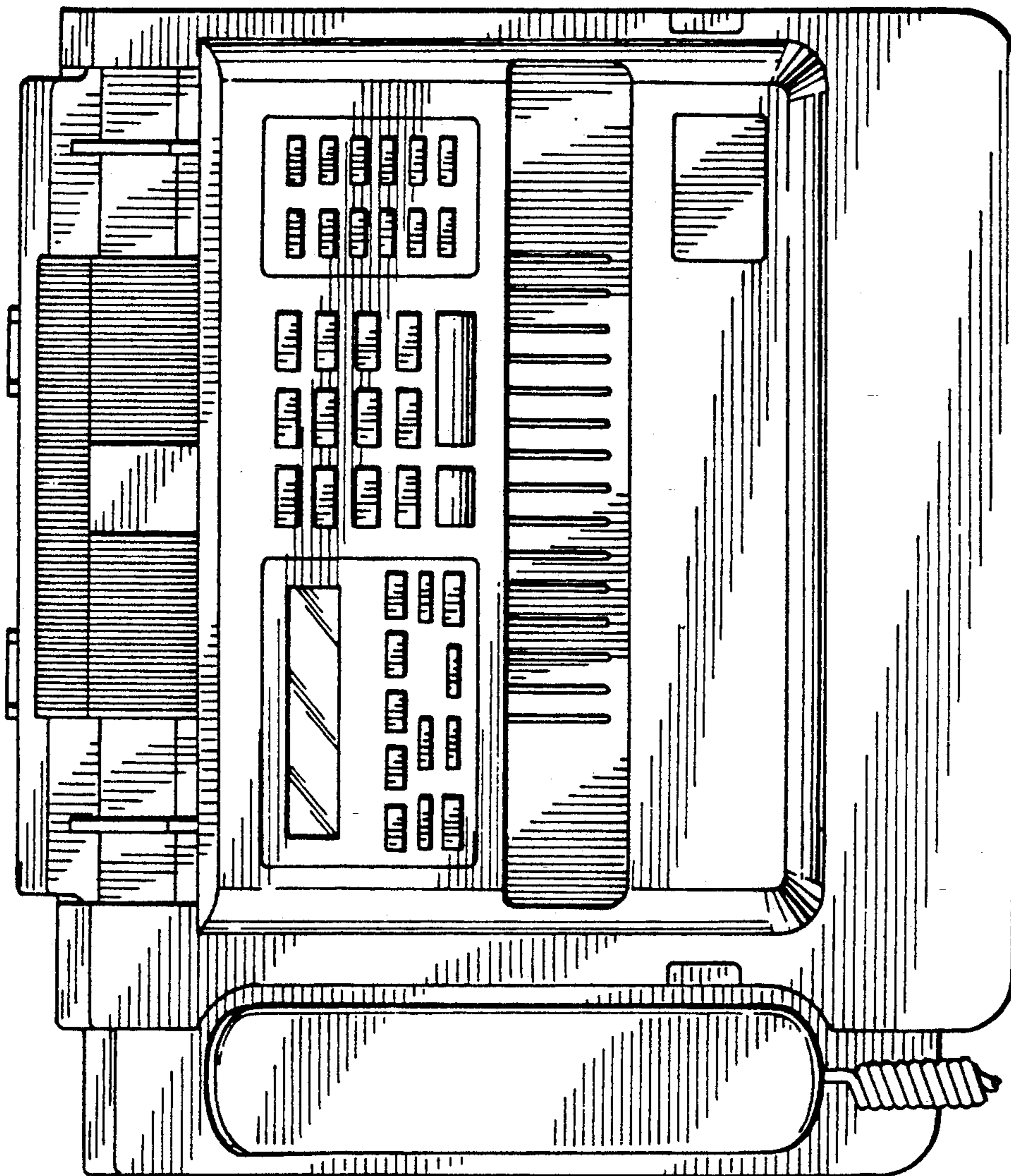


FIG. 2

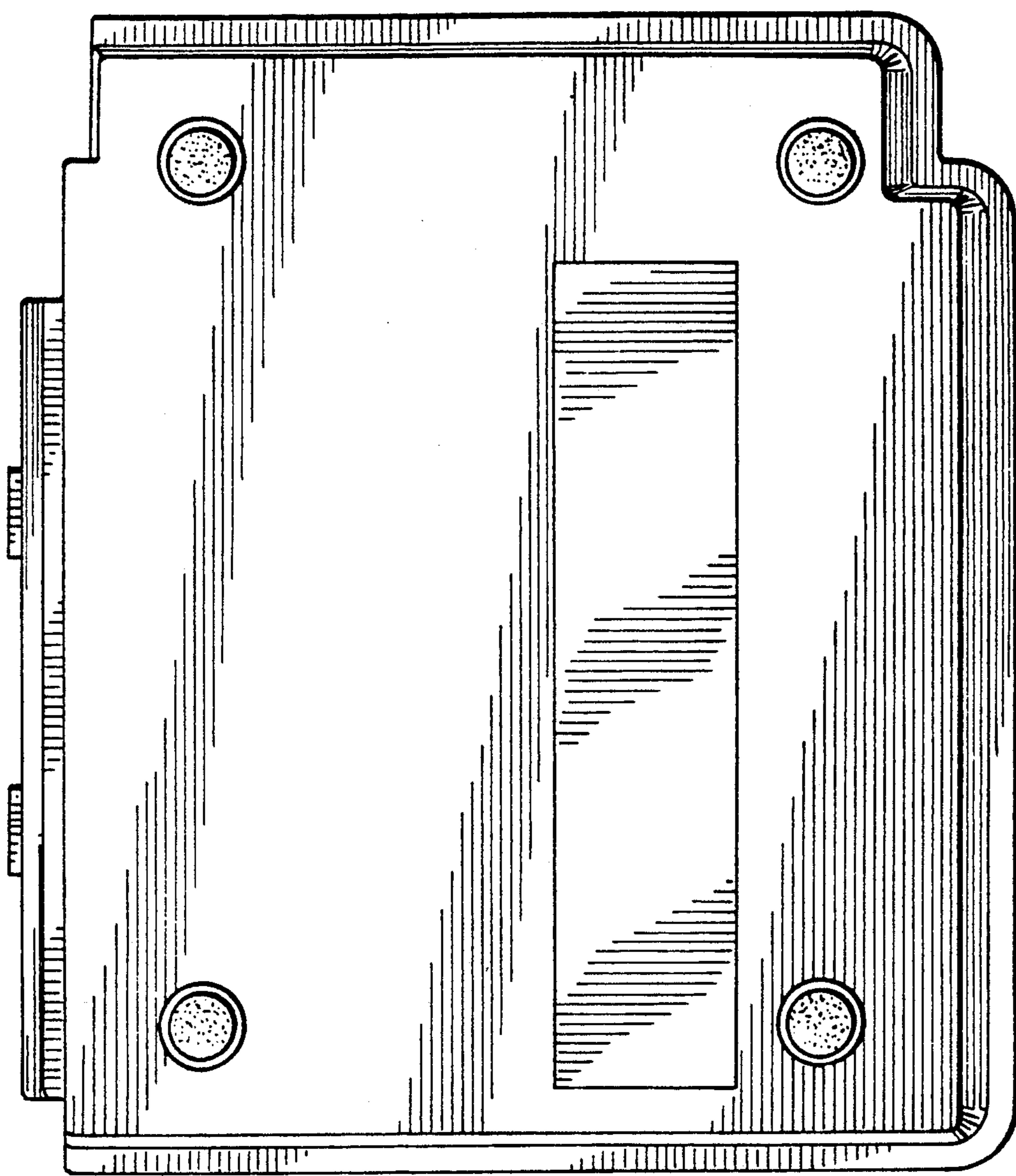


FIG. 3

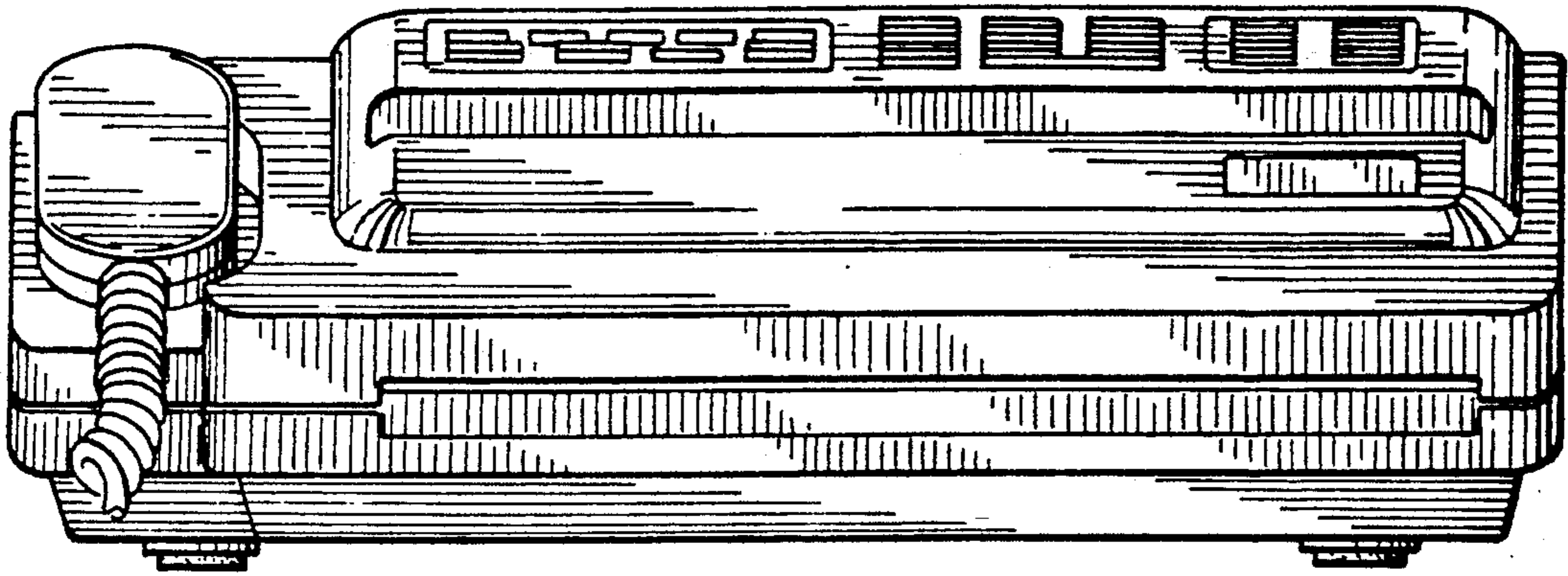


FIG. 4

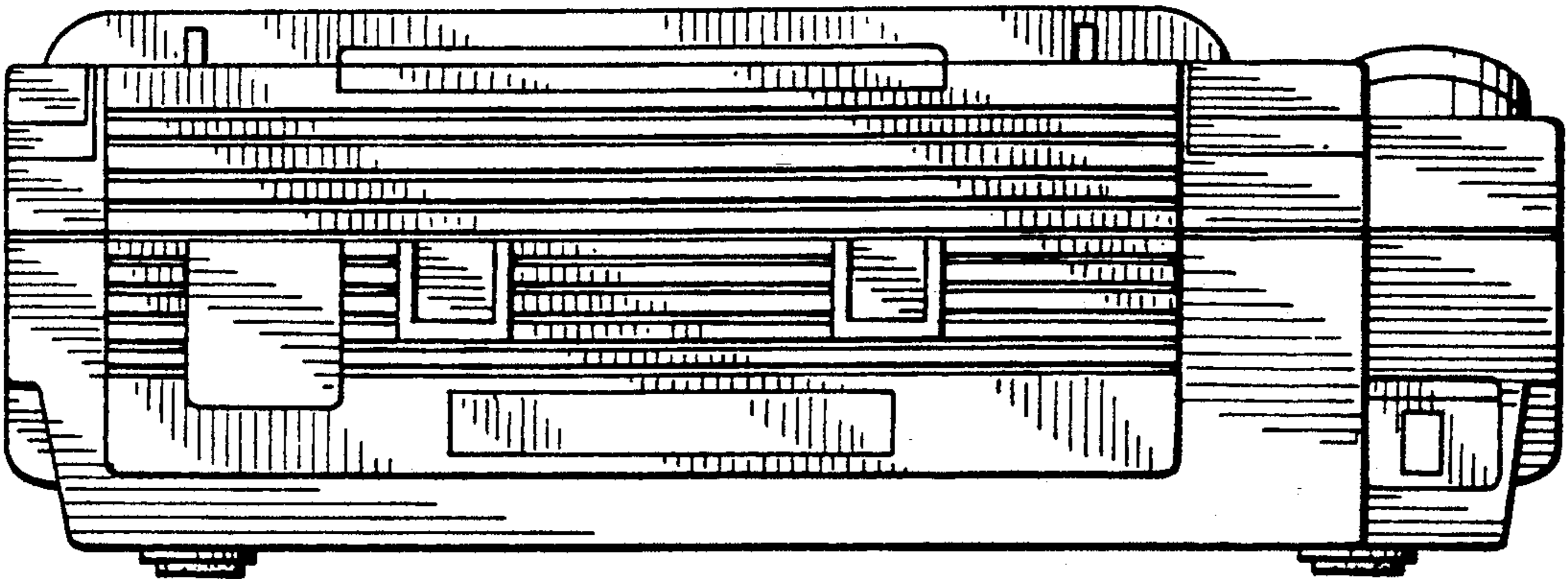


FIG. 5

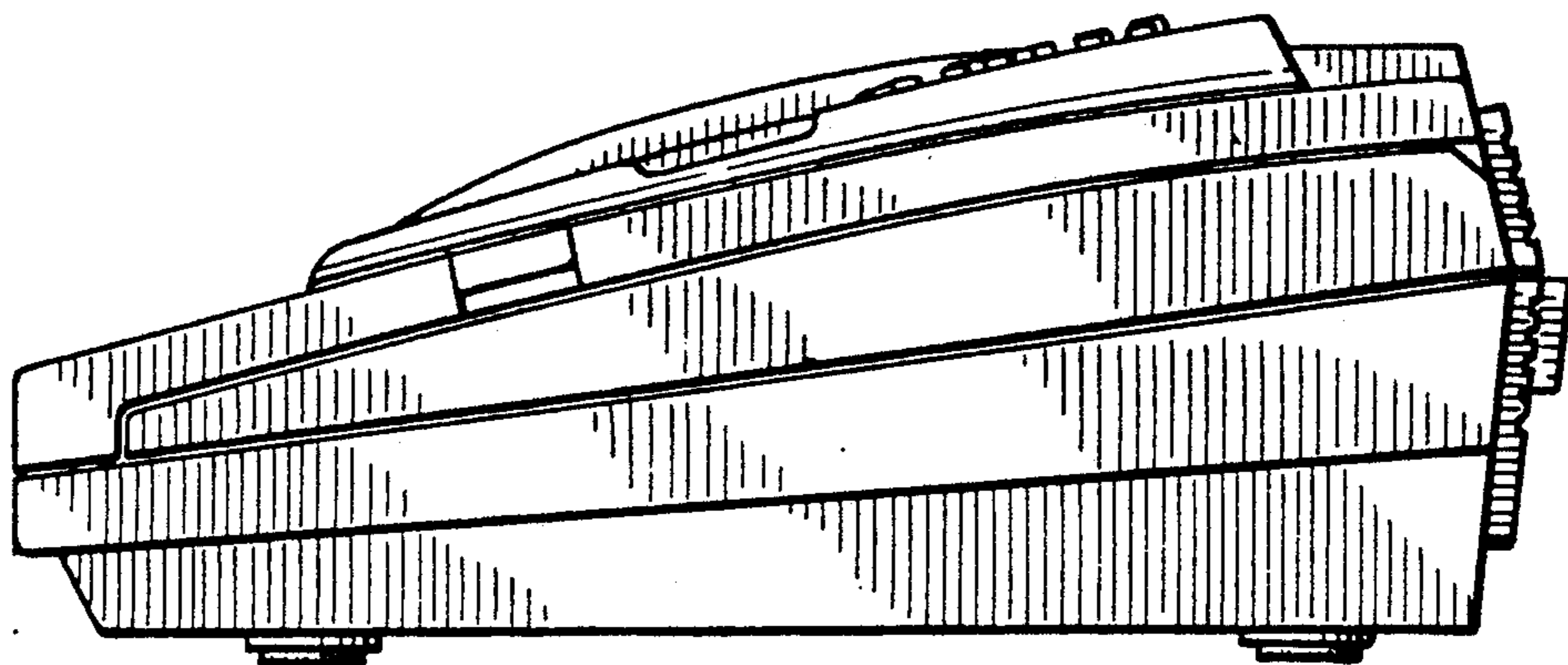


FIG. 6

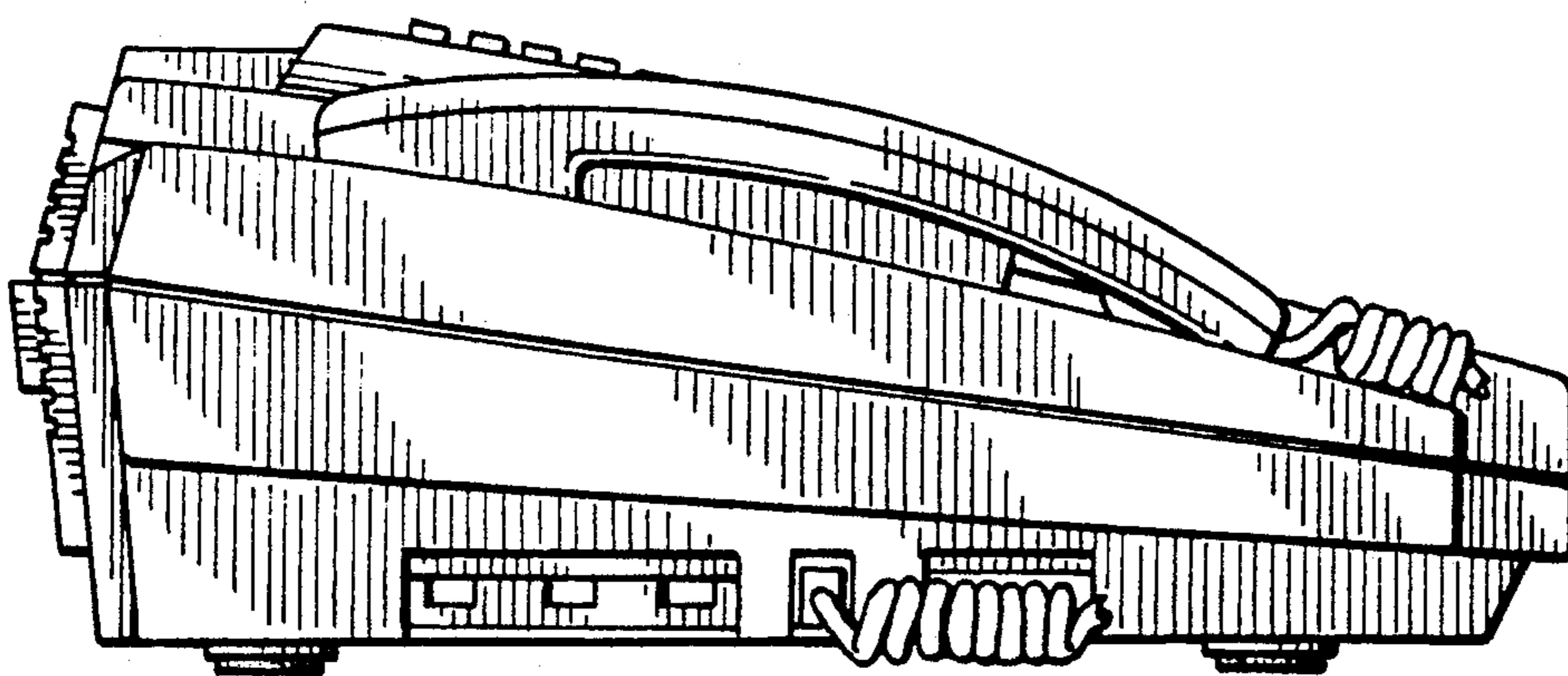


FIG. 7

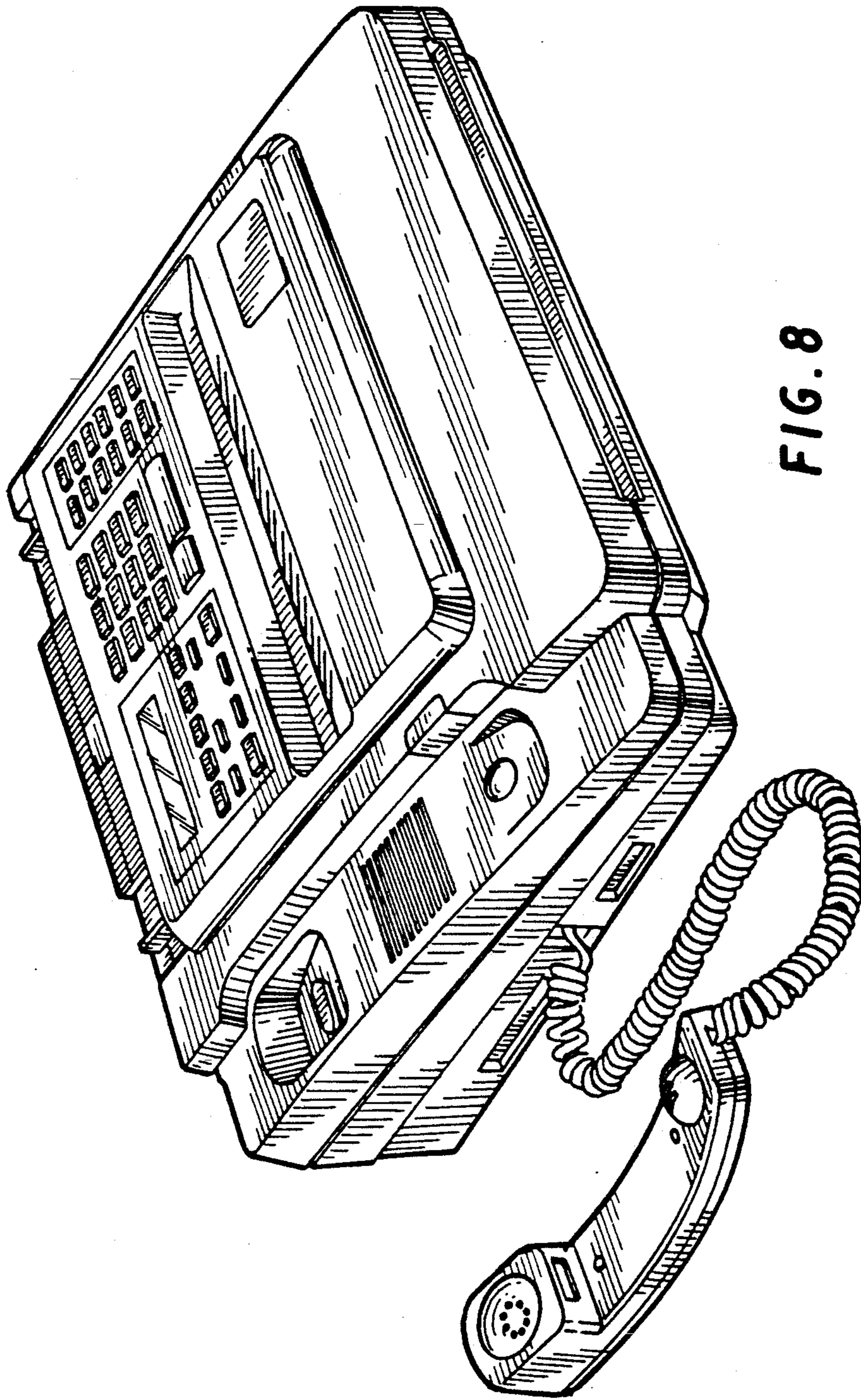


FIG. 8

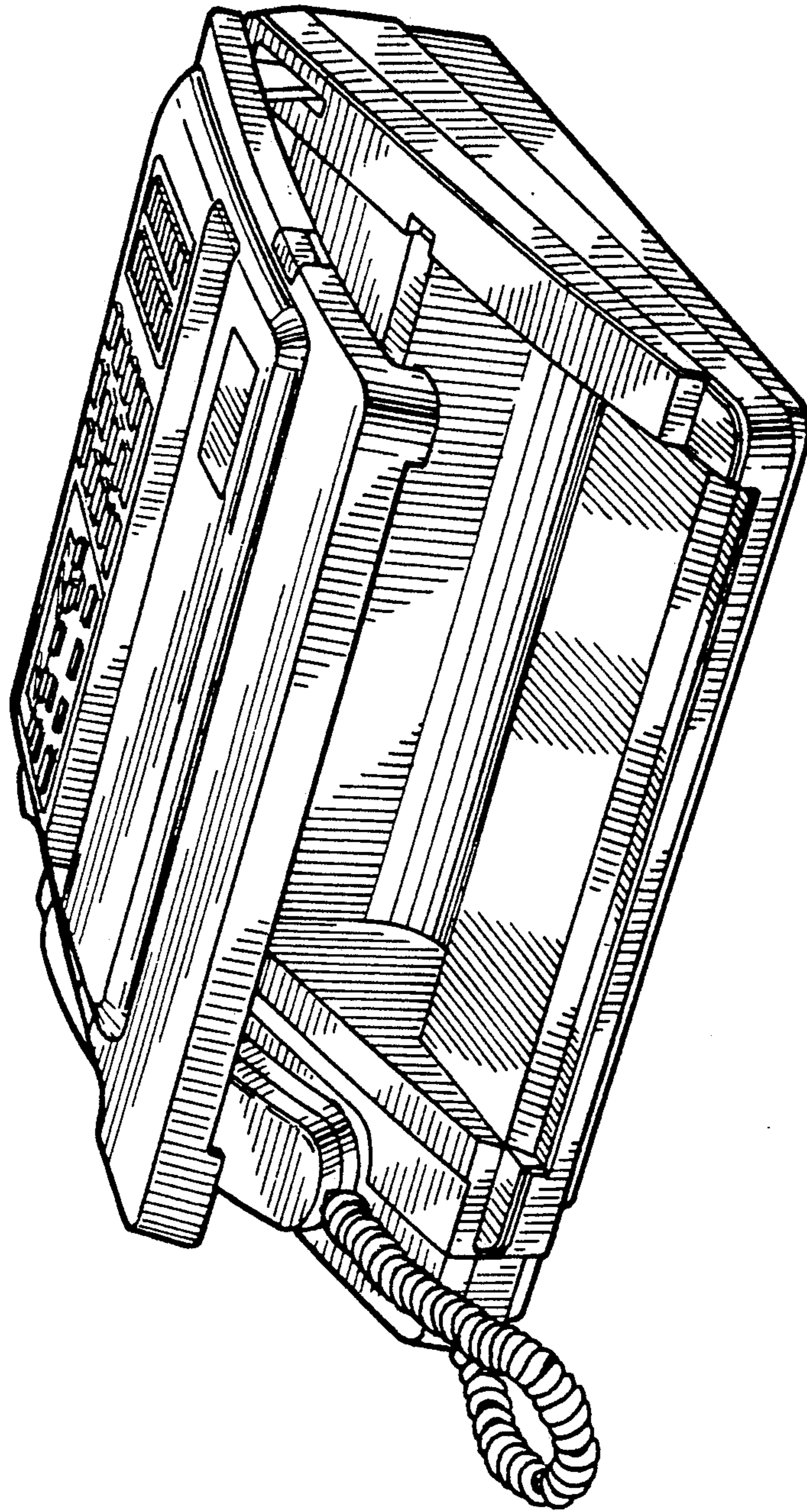


FIG. 9