



US00D331577S

United States Patent [19]

[11] Patent Number: **Des. 331,577**

Hara

[45] Date of Patent: **** Dec. 8, 1992**

[54] FACSIMILE

[56] References Cited

[75] Inventor: **Kunio Hara, Chiba, Japan**

U.S. PATENT DOCUMENTS

[73] Assignee: **Kabushiki Kaisha Toshiba, Kawasaki, Japan**

- D. 300,136 3/1989 Kando et al. D14/118
- D. 300,139 3/1989 Nishio D14/118
- D. 304,579 11/1989 Fujiyama et al. D14/118
- D. 305,425 1/1990 Hara et al. D14/118

[**] Term: **14 Years**

Primary Examiner—Theodore M. Shooman
Attorney, Agent, or Firm—Oblon, Spivak, McClelland, Maier & Neustadt

[21] Appl. No.: **554,065**

[57] CLAIM

[22] Filed: **Jul. 16, 1990**

The ornamental design for a facsimile, as shown and described.

Related U.S. Application Data

[62] Division of Ser. No. 149,693, Jan. 28, 1988, Pat. No. D. 313,983.

Foreign Application Priority Data

Jul. 31, 1987 [JP] Japan 62-30905

[52] U.S. Cl. **D14/118**

[58] Field of Search D14/118, 141, 248;
D18/36, 37; 358/400, 401

DESCRIPTION

FIG. 1 is a top, front and right side perspective view of a facsimile showing my new design;

FIG. 2 is a top plan view thereof;

FIG. 3 is a front elevational view thereof;

FIG. 4 is a rear elevational view thereof;

FIG. 5 is a left side elevational view thereof;

FIG. 6 is a right side elevational view thereof;

FIG. 7 is a top plan view thereof with the paper support tray being in an outwardly pivoted operational position; and,

FIG. 8 is a bottom plan view thereof.

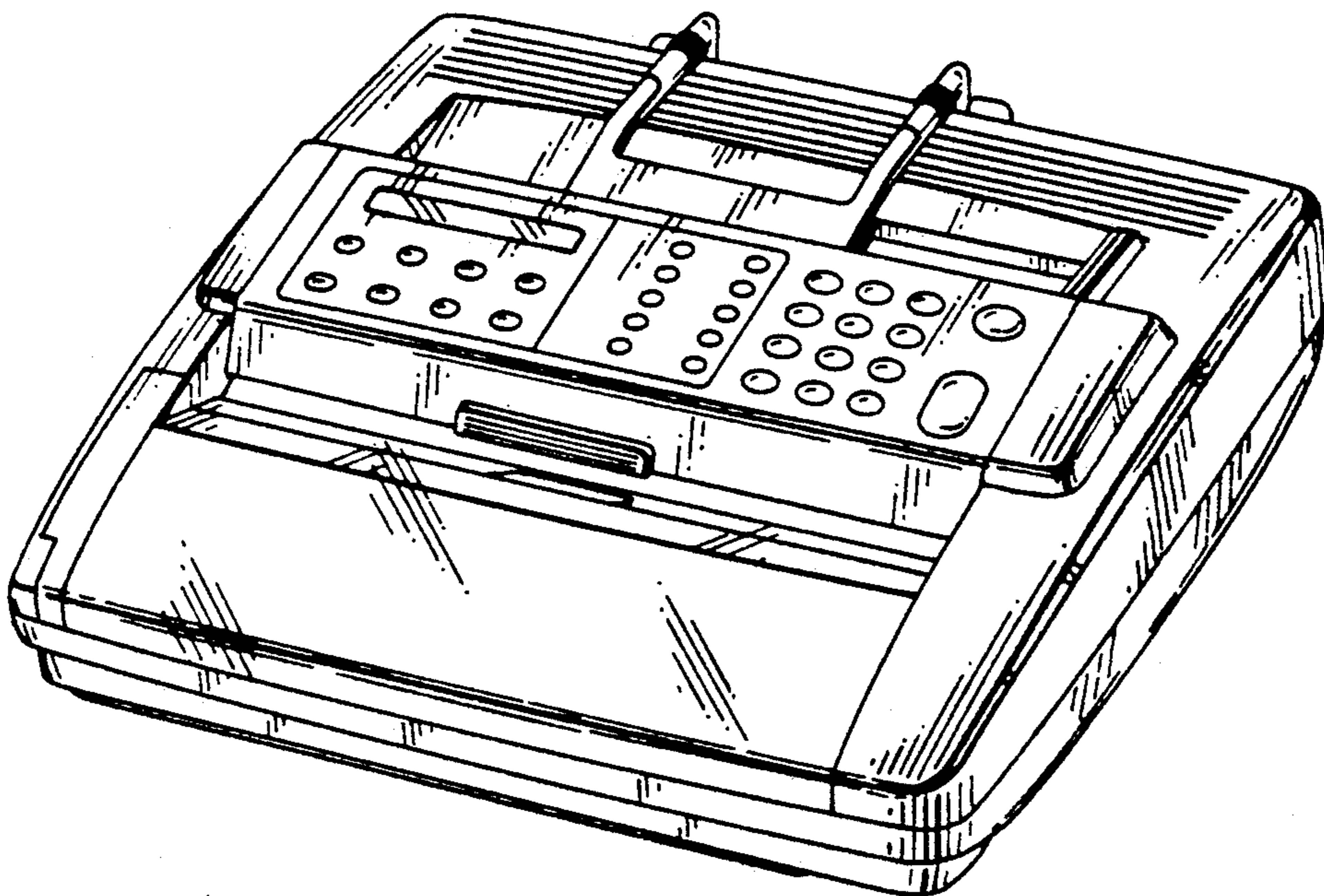


FIG. 1

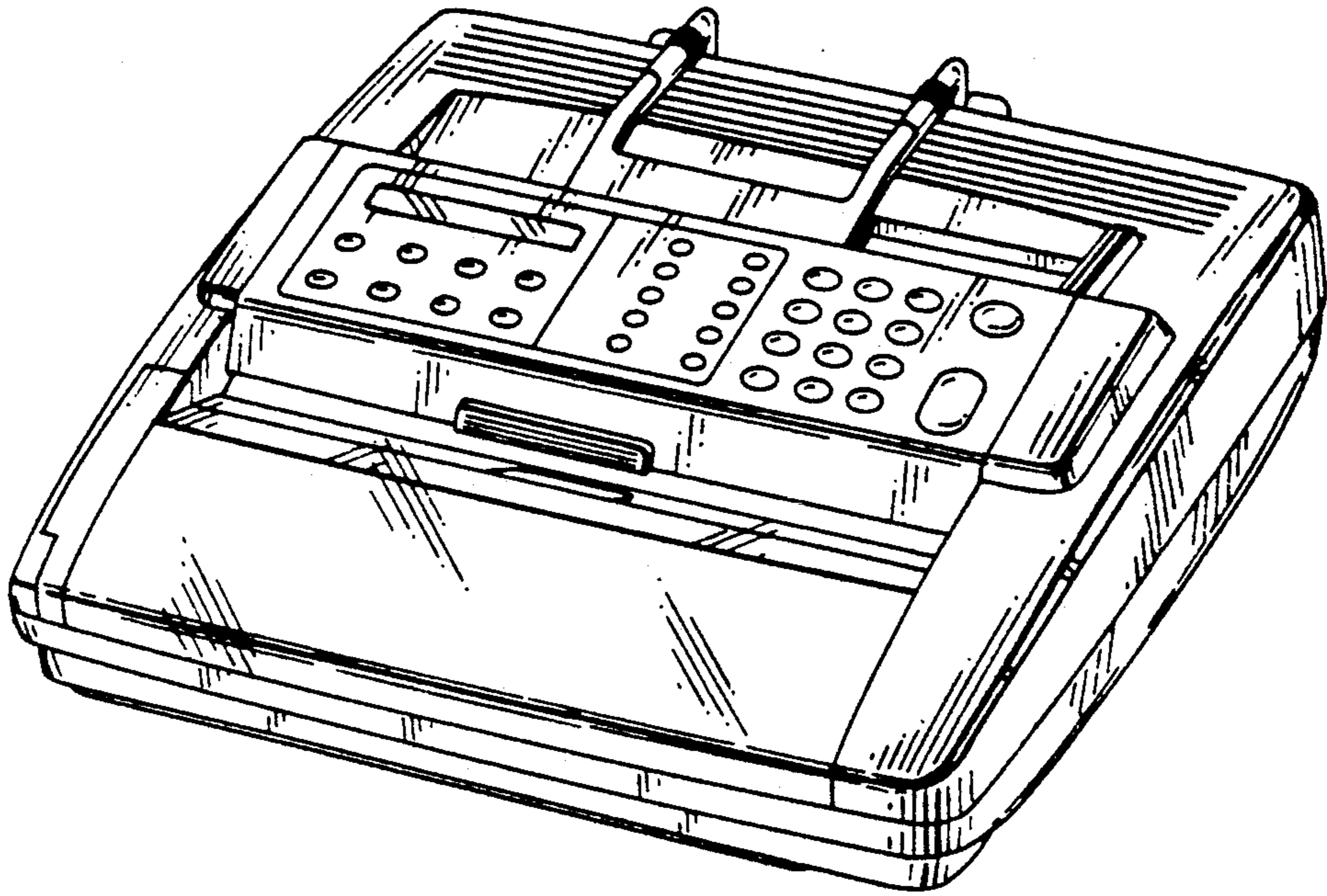


FIG. 2

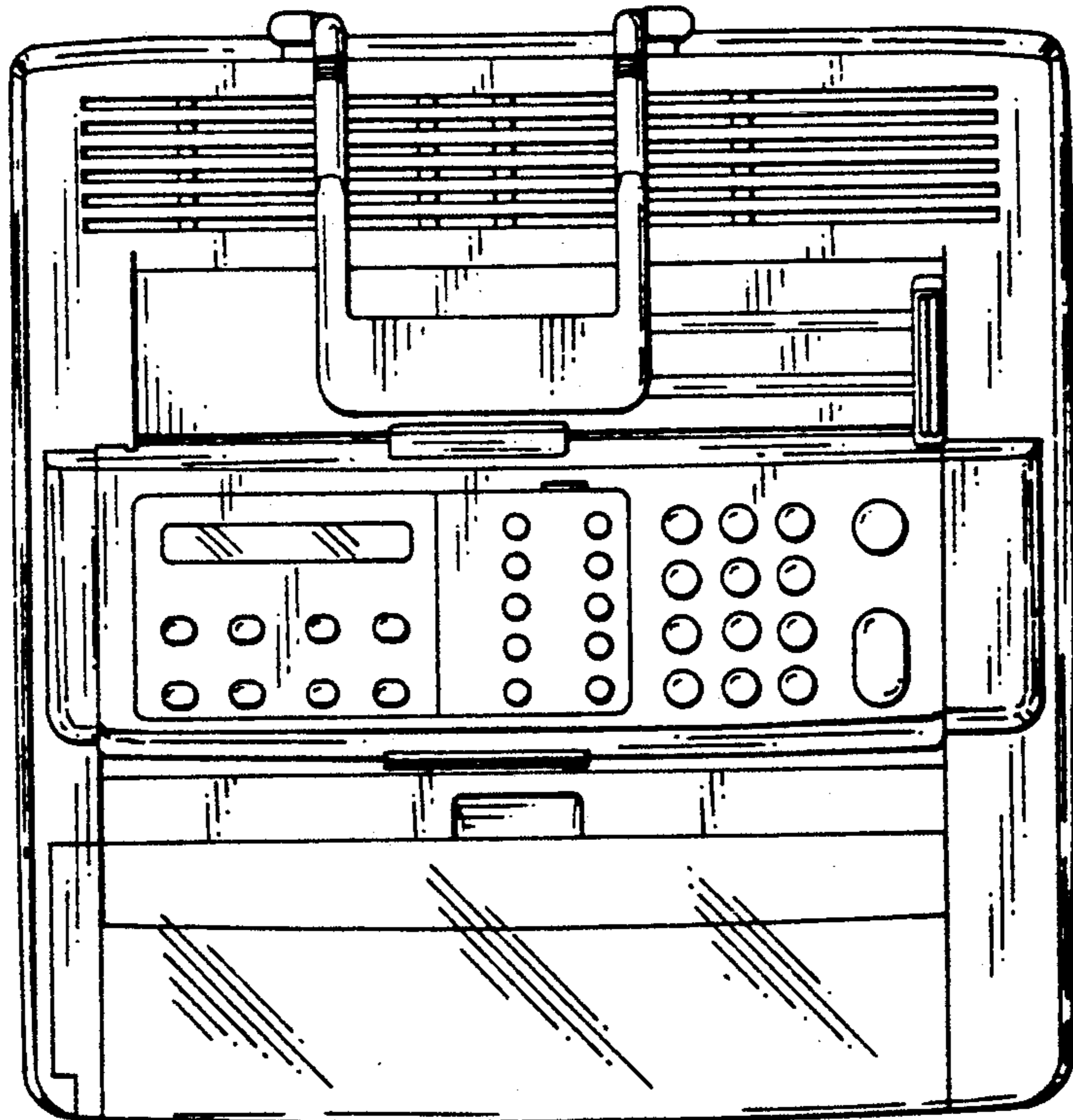


FIG. 3

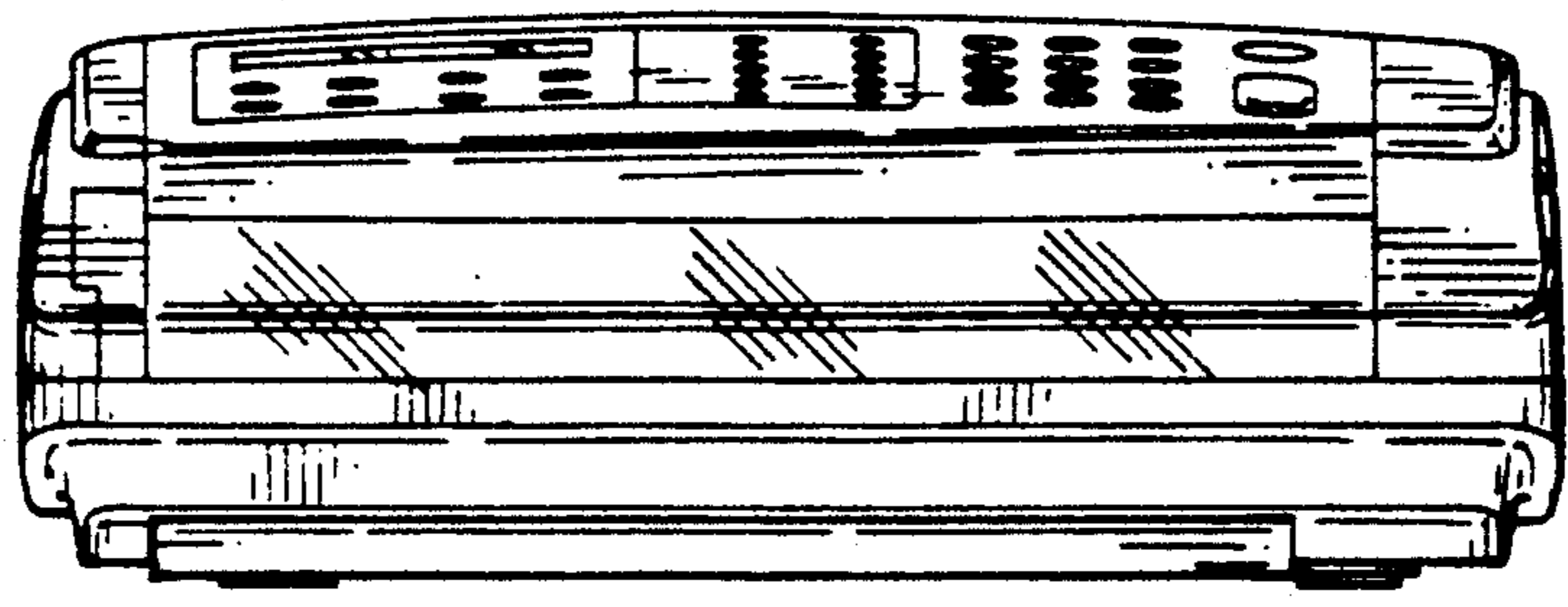


FIG. 4

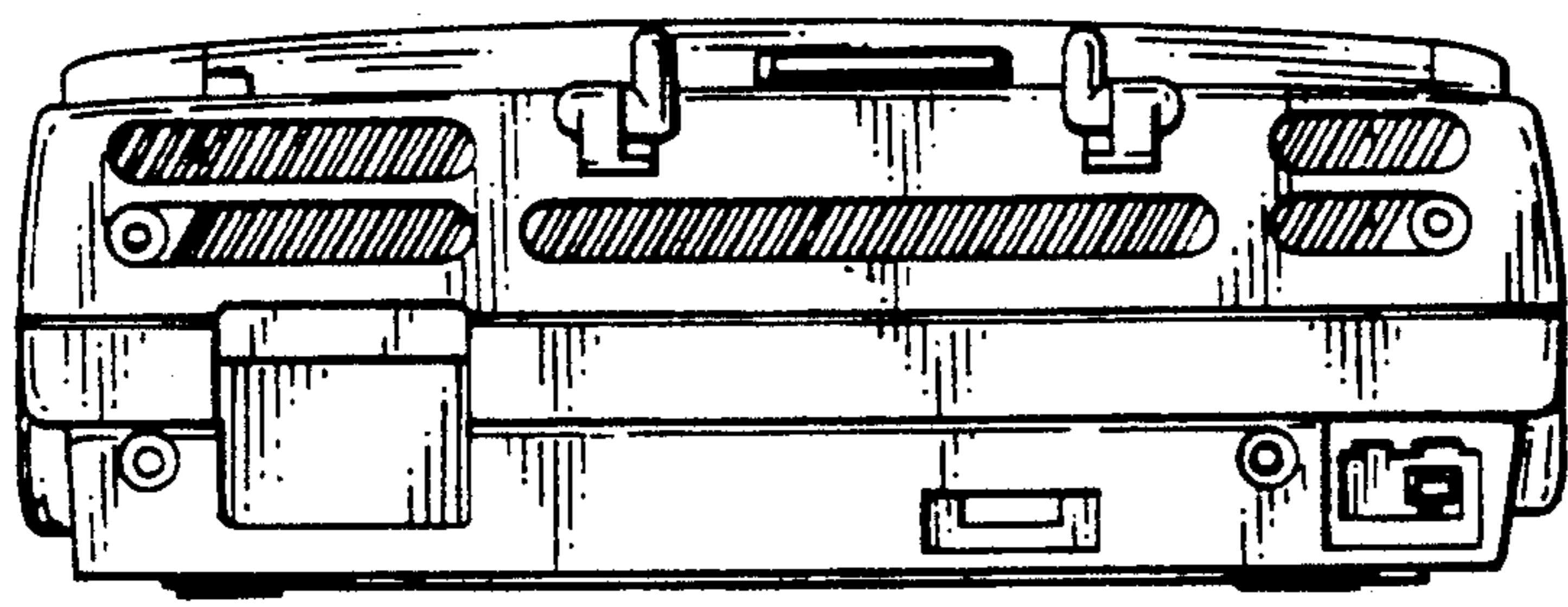


FIG. 5

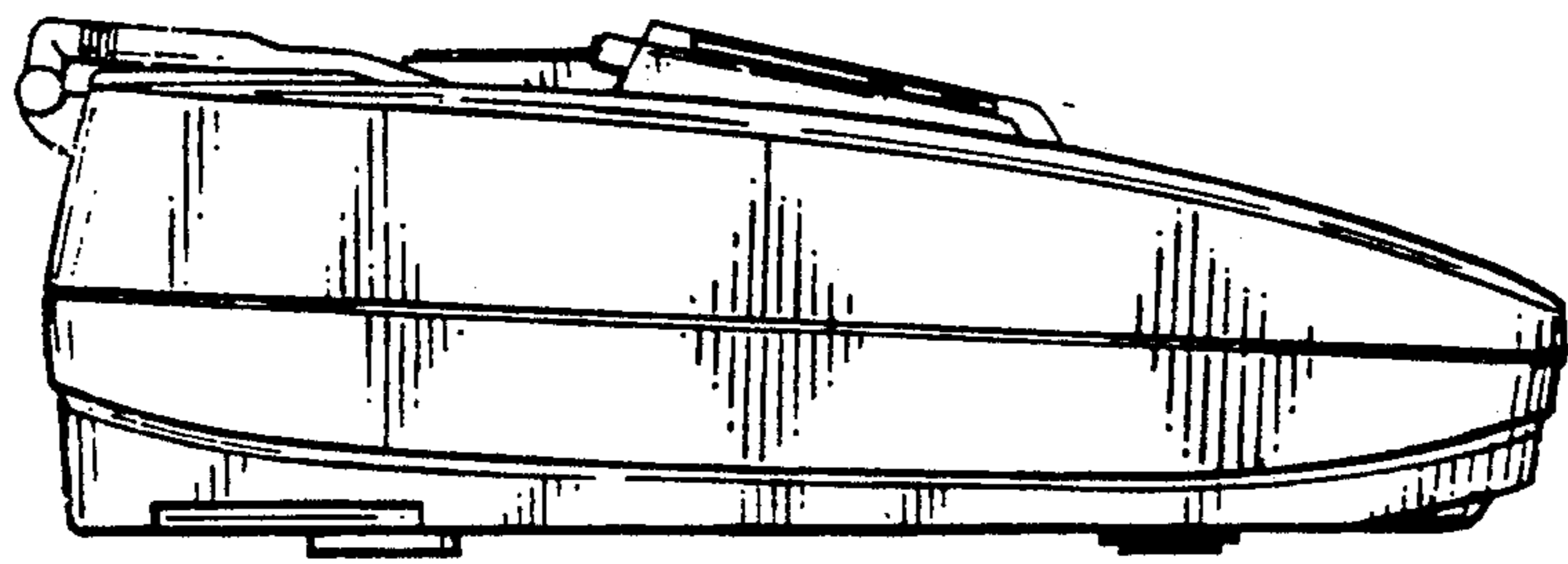


FIG. 6

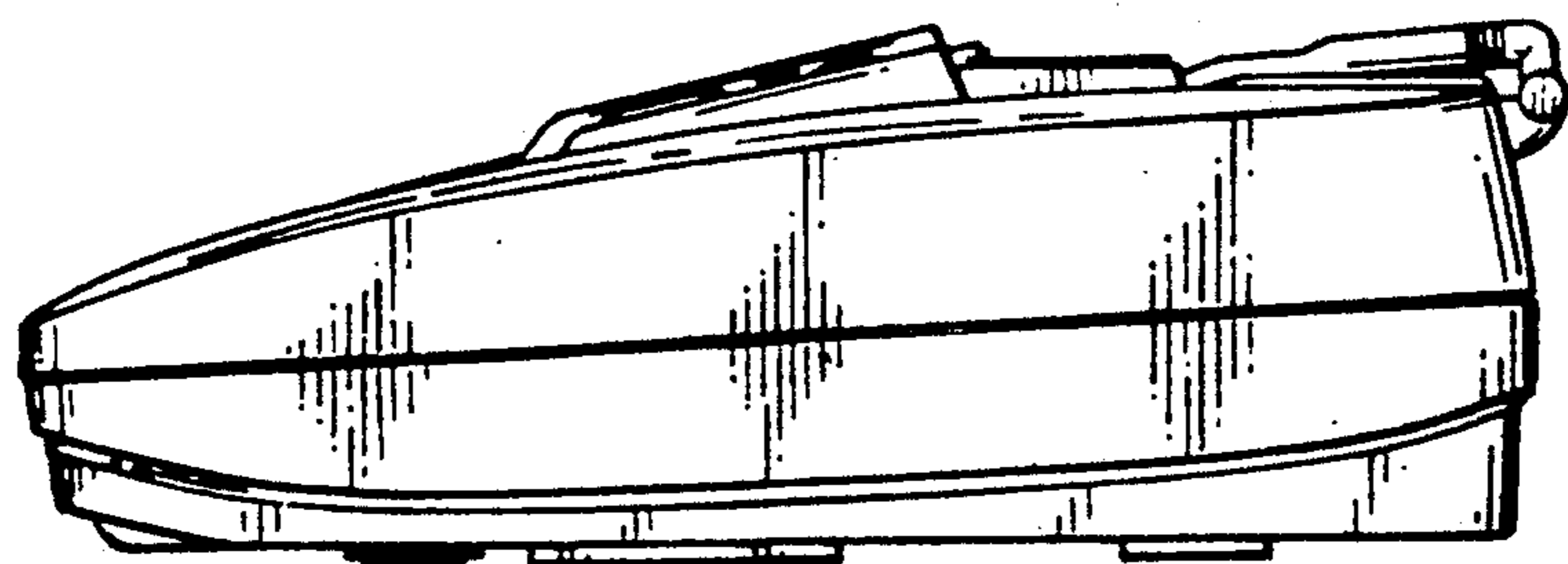


FIG. 7

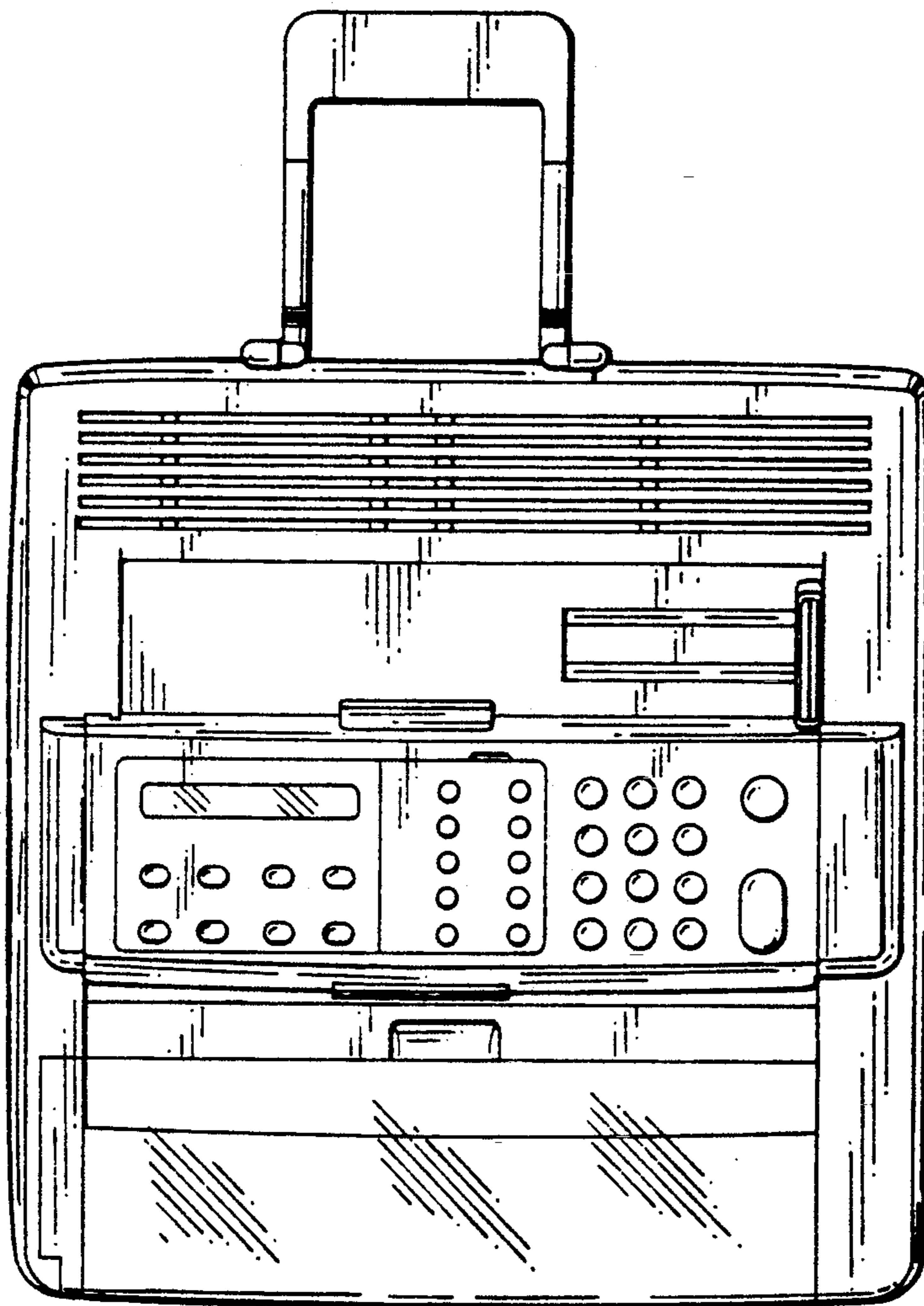


FIG. 8

