



US00D331576S

United States Patent [19]

Yamanaka

[11] Patent Number: **Des. 331,576**

[45] Date of Patent: **** Dec. 8, 1992**

[54] **BARCODE SCANNER**

[75] Inventor: **Toshimasa Yamanaka, Tokyo, Japan**

[73] Assignee: **Asahi Kogaku Kogyo K.K., Tokyo, Japan**

[**] Term: **14 Years**

[21] Appl. No.: **697,452**

[22] Filed: **May 9, 1991**

[30] **Foreign Application Priority Data**

Nov. 13, 1990 [JP] Japan 2-38080

[52] U.S. Cl. **D14/116**

[58] Field of Search D14/100, 114; 235/375, 235/378, 385, 454, 462, 472, 486; 354/80-82; 382/58-69; 250/203.1, 216, 566, 568; D26/37, 45, 50

[56] **References Cited**

U.S. PATENT DOCUMENTS

D. 274,249 6/1984 Polhemus D14/116
D. 293,795 1/1988 Yamamoto D14/116

D. 307,749 5/1990 Kubota et al. D14/116
D. 315,901 4/1991 Knowles D14/116
D. 319,436 8/1991 Matsushita D14/116

OTHER PUBLICATIONS

Nippondenso Bar Code Readers, Sep. 1987, pamphlet.

Primary Examiner—Susan J. Lucas
Assistant Examiner—M. H. Tung
Attorney, Agent, or Firm—Sughrue, Mion, Zinn, Macpeak & Seas

[57] **CLAIM**

The ornamental design for a barcode scanner, as shown.

DESCRIPTION

FIG. 1 is a front, bottom and left side perspective view of a barcode scanner showing my new design; FIG. 2 is a top and right side perspective view thereof; FIG. 3 is a front elevational view thereof; FIG. 4 is a rear elevational view thereof; FIG. 5 is a right side elevational view thereof; FIG. 6 is a left side elevational view thereof; FIG. 7 is a top plan view thereof; and, FIG. 8 is a bottom plan view thereof.

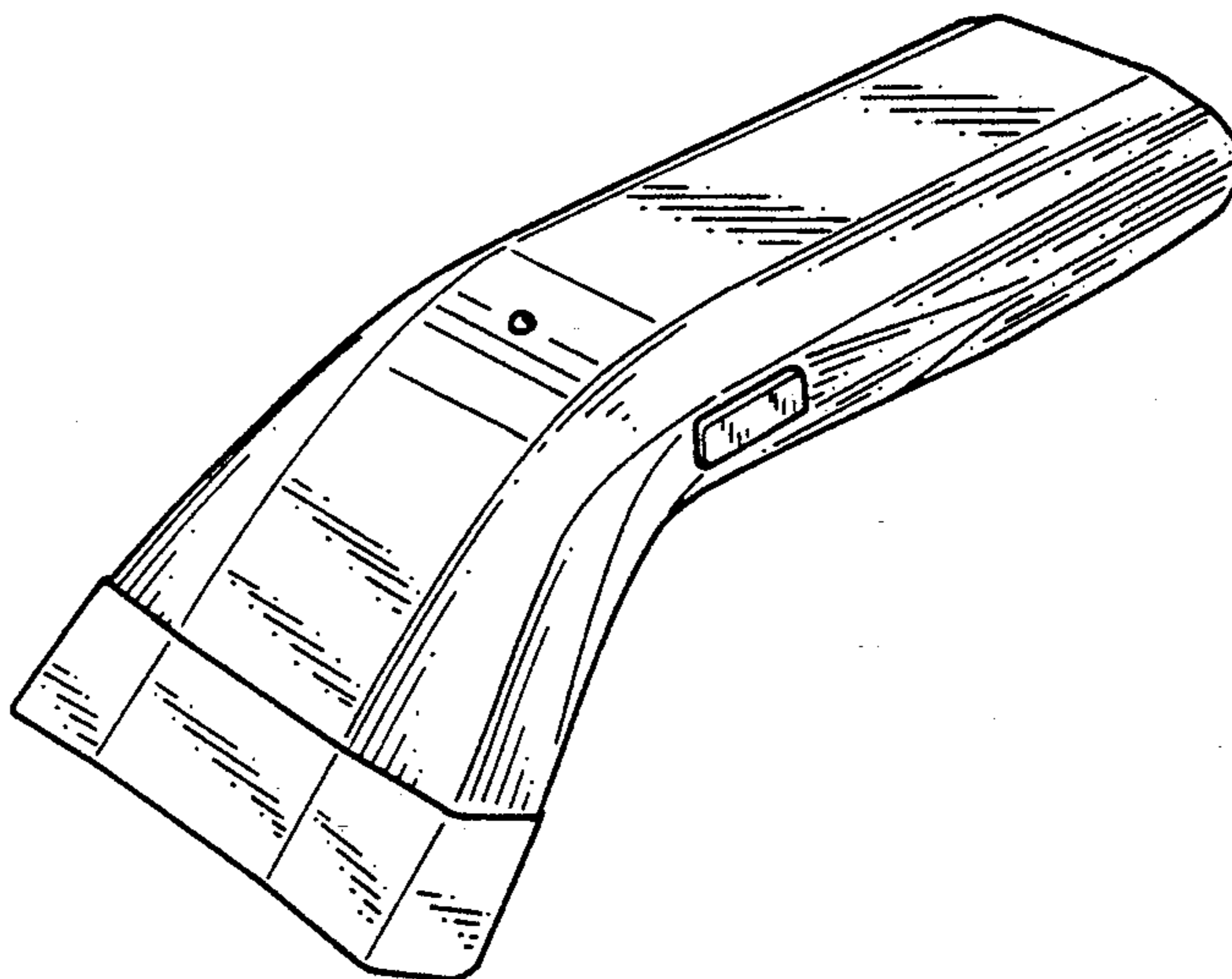


Fig. 1

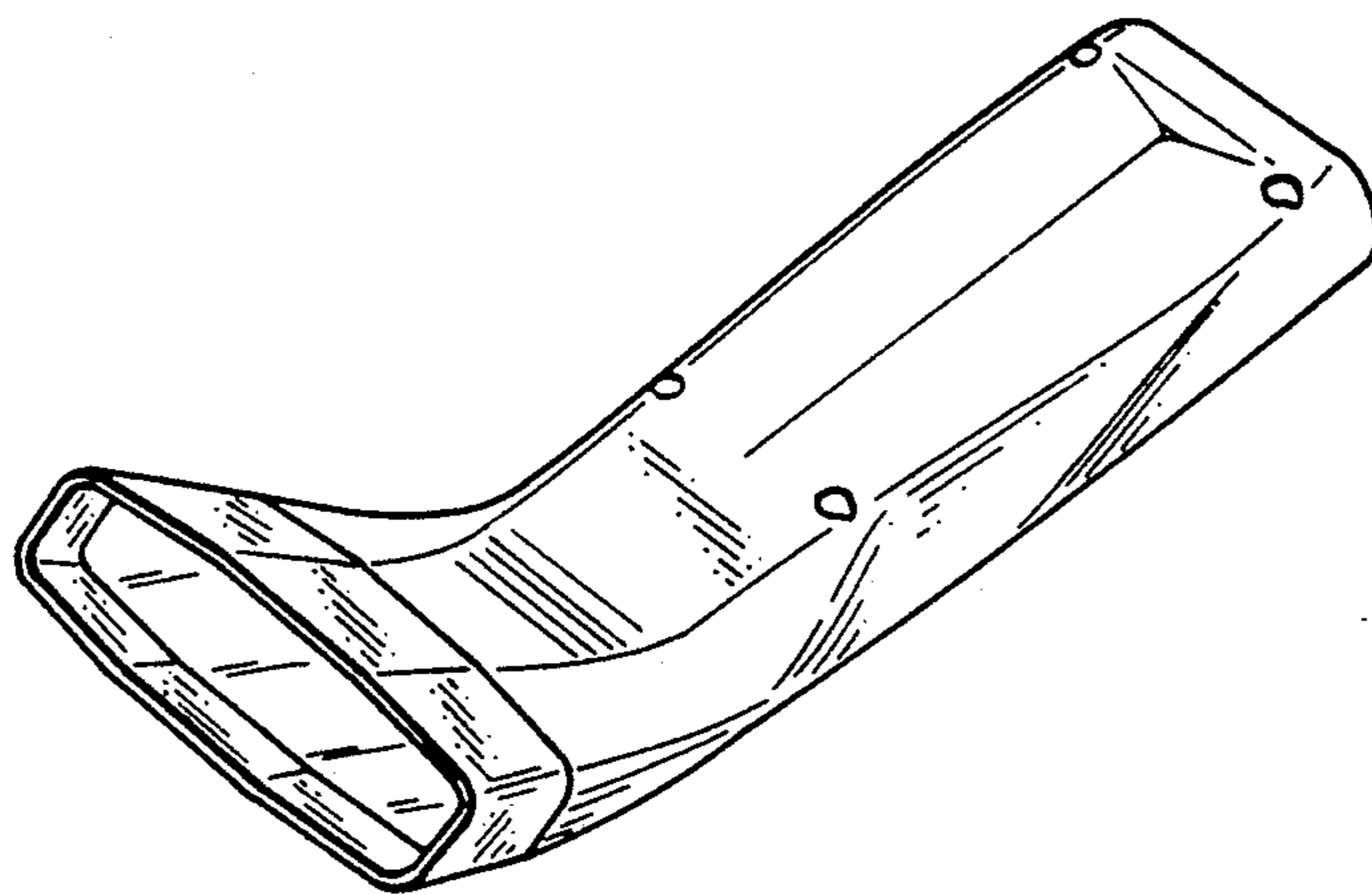


Fig. 2

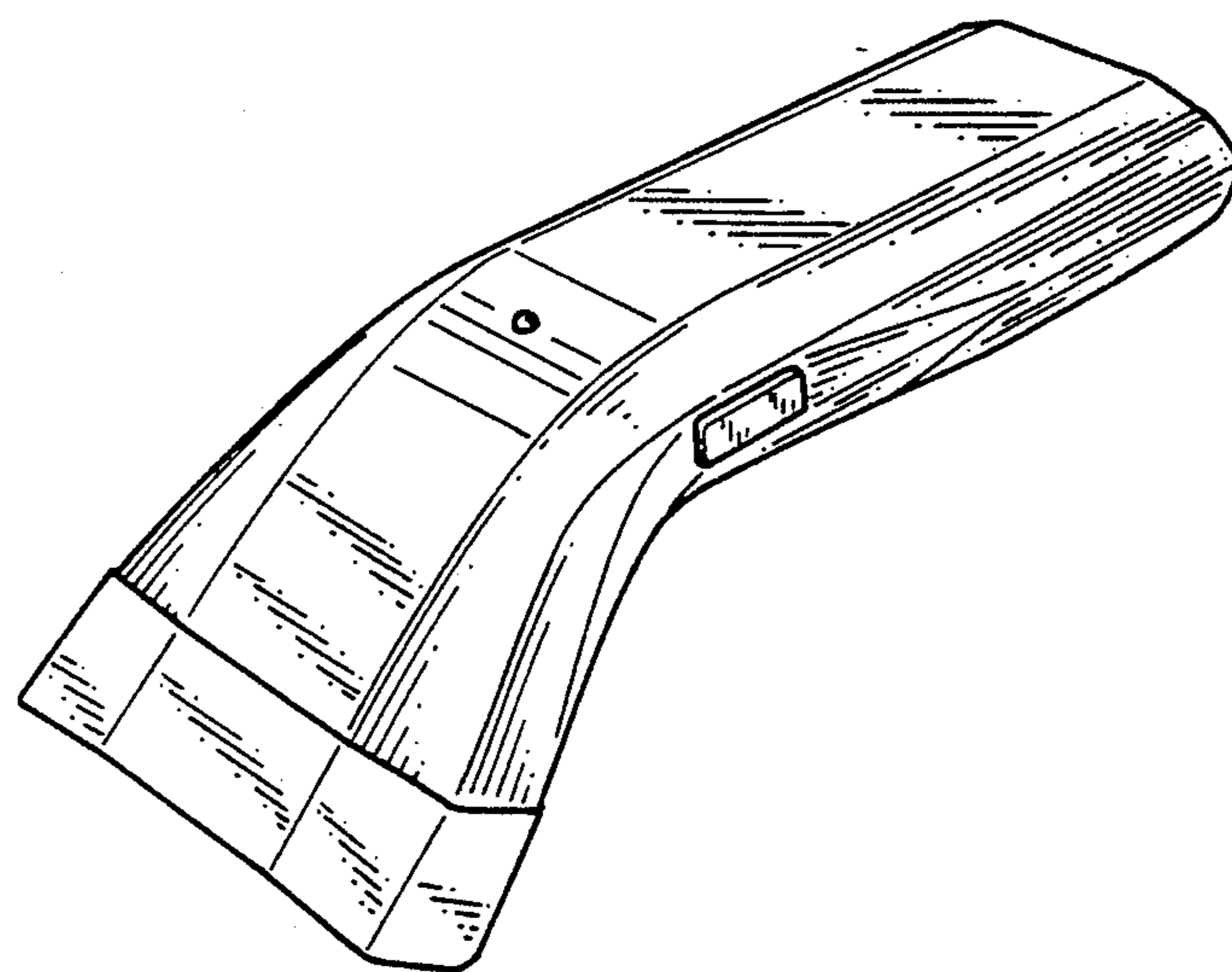


Fig. 3

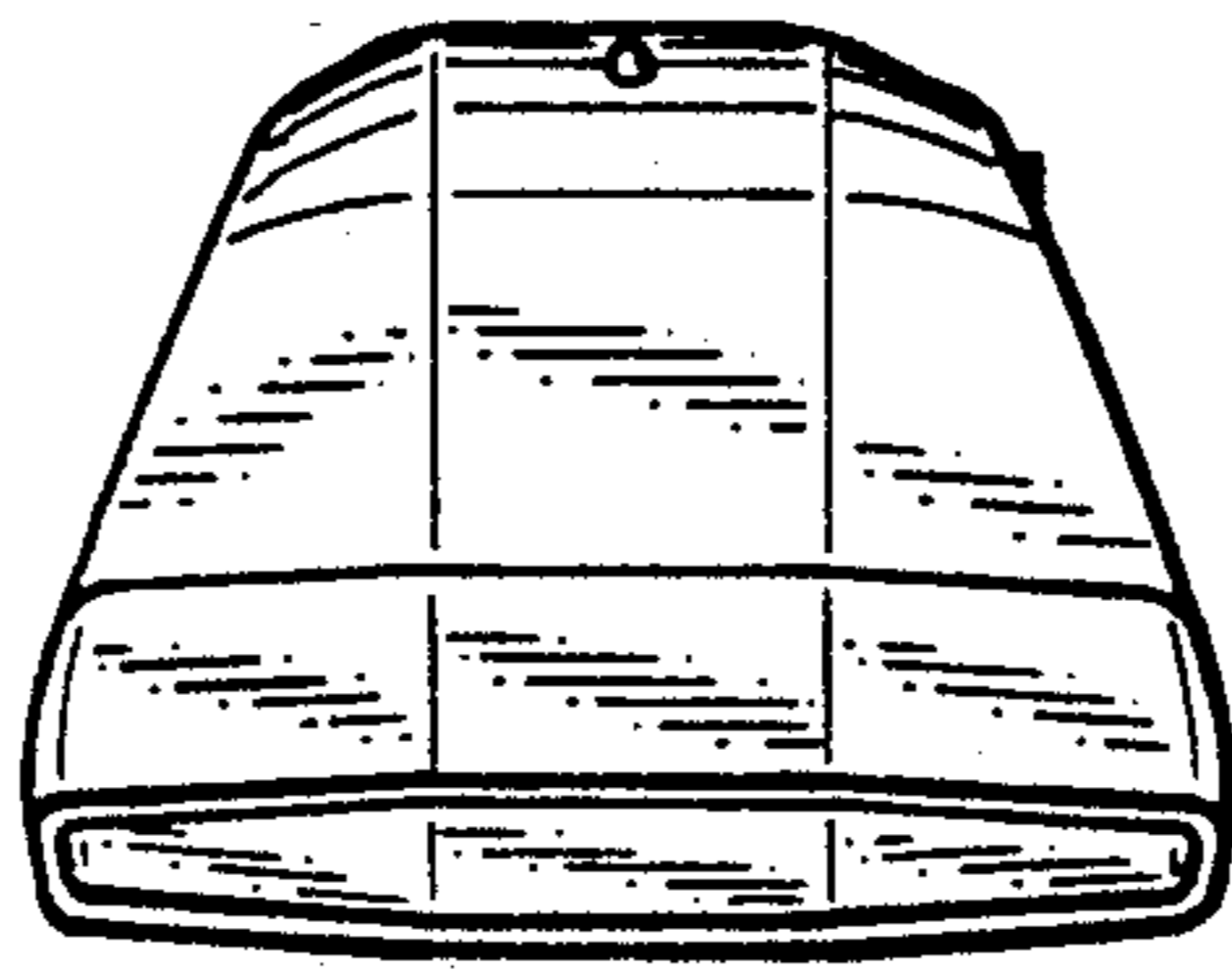


Fig. 4

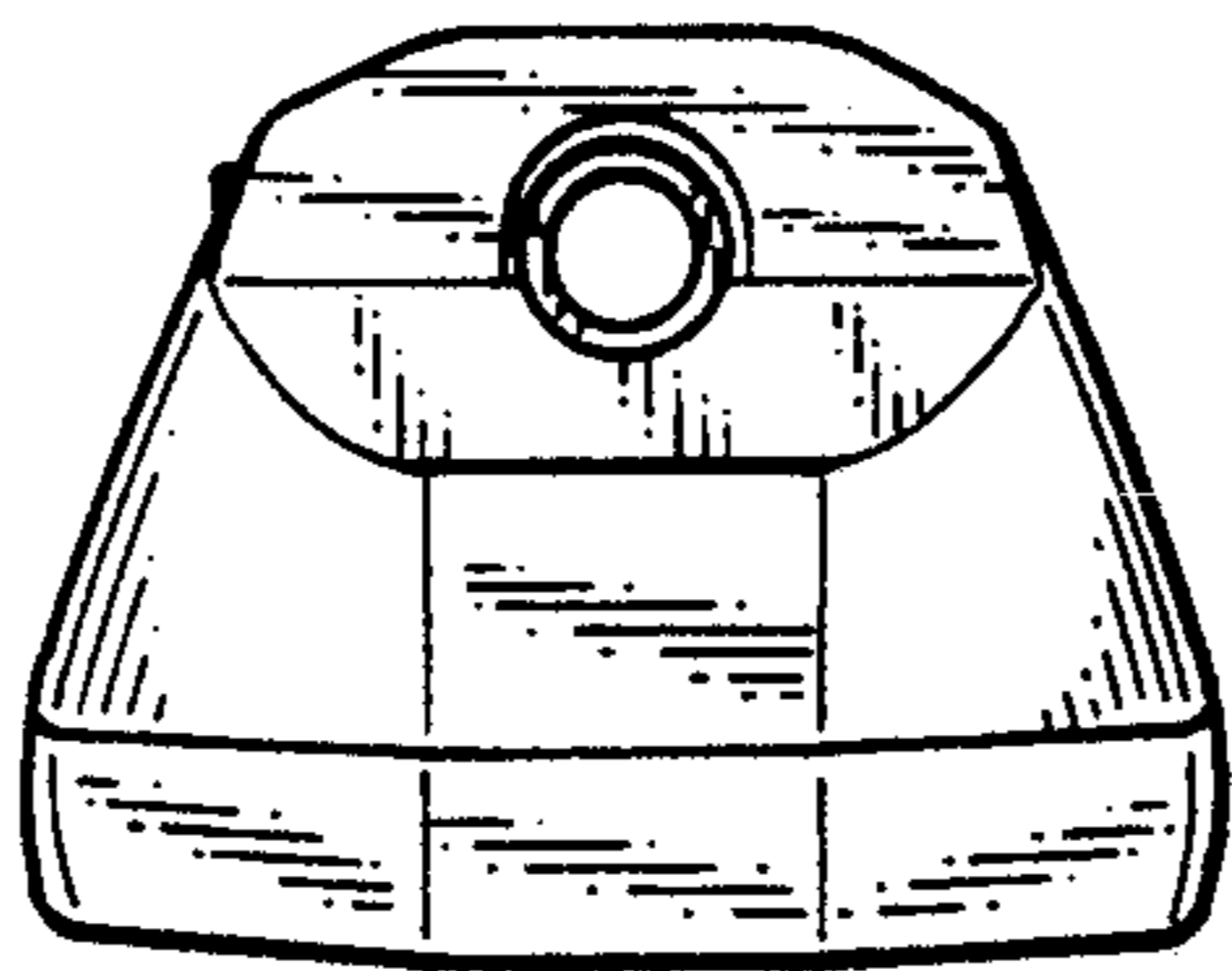


Fig. 5

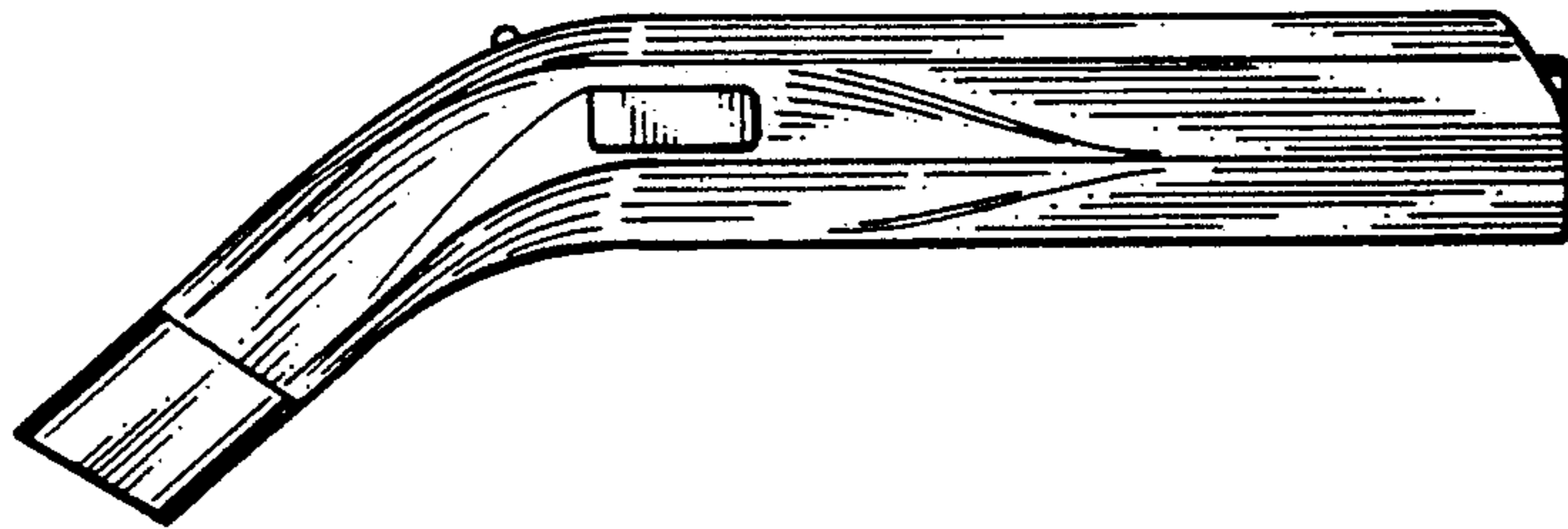


Fig. 6

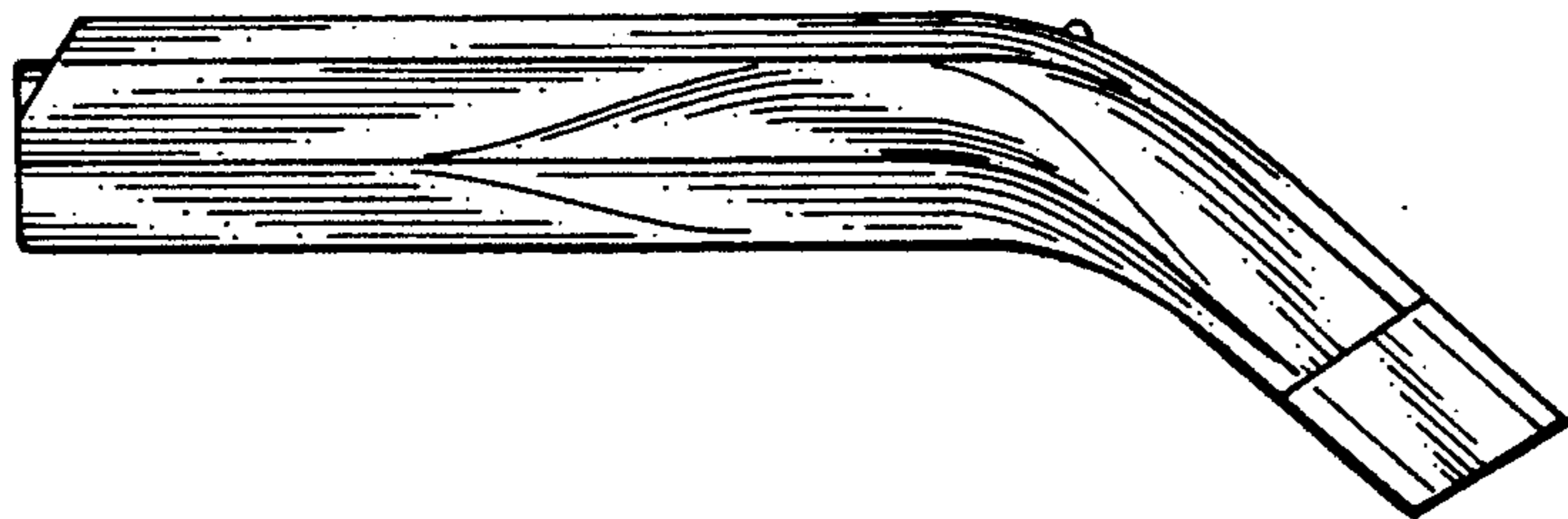


Fig. 7

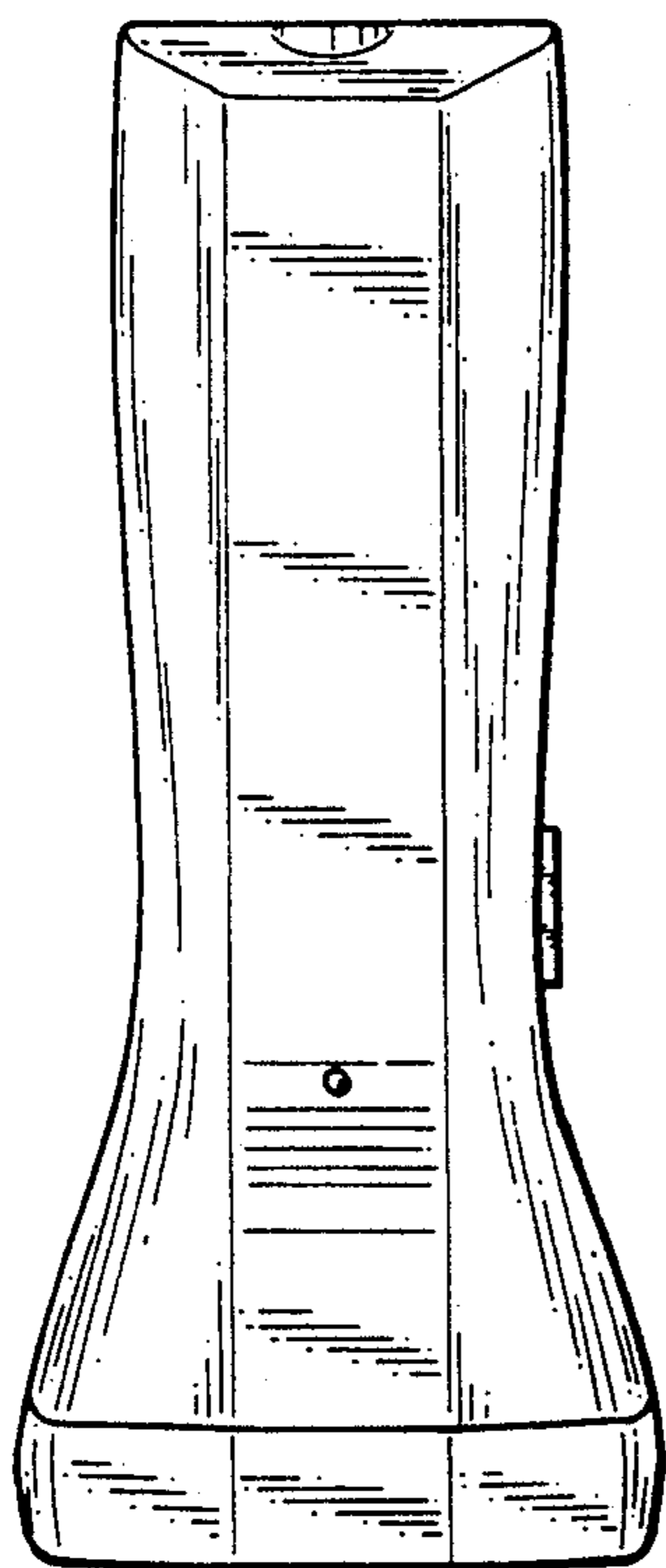


Fig. 8

