



US00D331573S

United States Patent [19]

[11] Patent Number: **Des. 331,573**

Iino

[45] Date of Patent: **** Dec. 8, 1992**

[54] **EXPANSION UNIT FOR THE EXTENSION OF ELECTRONIC COMPUTER FUNCTIONS**

FOREIGN PATENT DOCUMENTS

[75] Inventor: **Masaaki Iino, Yokohama, Japan**

740409 8/1988 Japan .
791802 7/1990 Japan .

[73] Assignee: **Kabushiki Kaisha Toshiba, Kanagawa, Japan**

OTHER PUBLICATIONS

No. CN 3005641S, Chinese Gazette, May 23, 1990.
No. 107 481, Korean Design Gazette, Oct. 10, 1990.

[**] Term: **14 Years**

Primary Examiner—Wallace R. Burke
Assistant Examiner—Freda S. Nunn
Attorney, Agent, or Firm—Banner, Birch, McKie & Beckett

[21] Appl. No.: **675,467**

[22] Filed: **Mar. 26, 1991**

[57] CLAIM

[52] U.S. Cl. **D14/107**

[58] Field of Search **D14/100, 107, 114; D13/184, 199, 123, 124, 133, 141, 110, 147; 361/380-385, 390-395; 364/708; 439/95, 284, 357, 372**

The ornamental design for an expansion unit for the extension of electronic computer functions, as shown and described.

DESCRIPTION

[56] References Cited

U.S. PATENT DOCUMENTS

D. 310,998 10/1990 Lee et al. D14/100
D. 313,404 1/1991 Myers D14/107
D. 314,183 1/1991 Wong D13/147 X
D. 318,466 7/1991 Grundstrom et al. D14/114
4,530,066 7/1985 Ohwaki et al. 361/390 X
4,894,792 1/1990 Mitchell et al. 364/708
5,036,313 7/1991 Lin et al. 361/395 X

FIG. 1 is a top front and left side perspective view of an expansion unit for the extension of electronic computer functions showing my new design;

FIG. 2 is a front elevational view thereof;

FIG. 3 is a top plan view thereof;

FIG. 4 is a right side elevational view thereof;

FIG. 5 is a rear elevational view thereof;

FIG. 6 is a bottom plan view thereof; and,

FIG. 7 is a right side elevational view thereof showing supporting leg in extruded position.

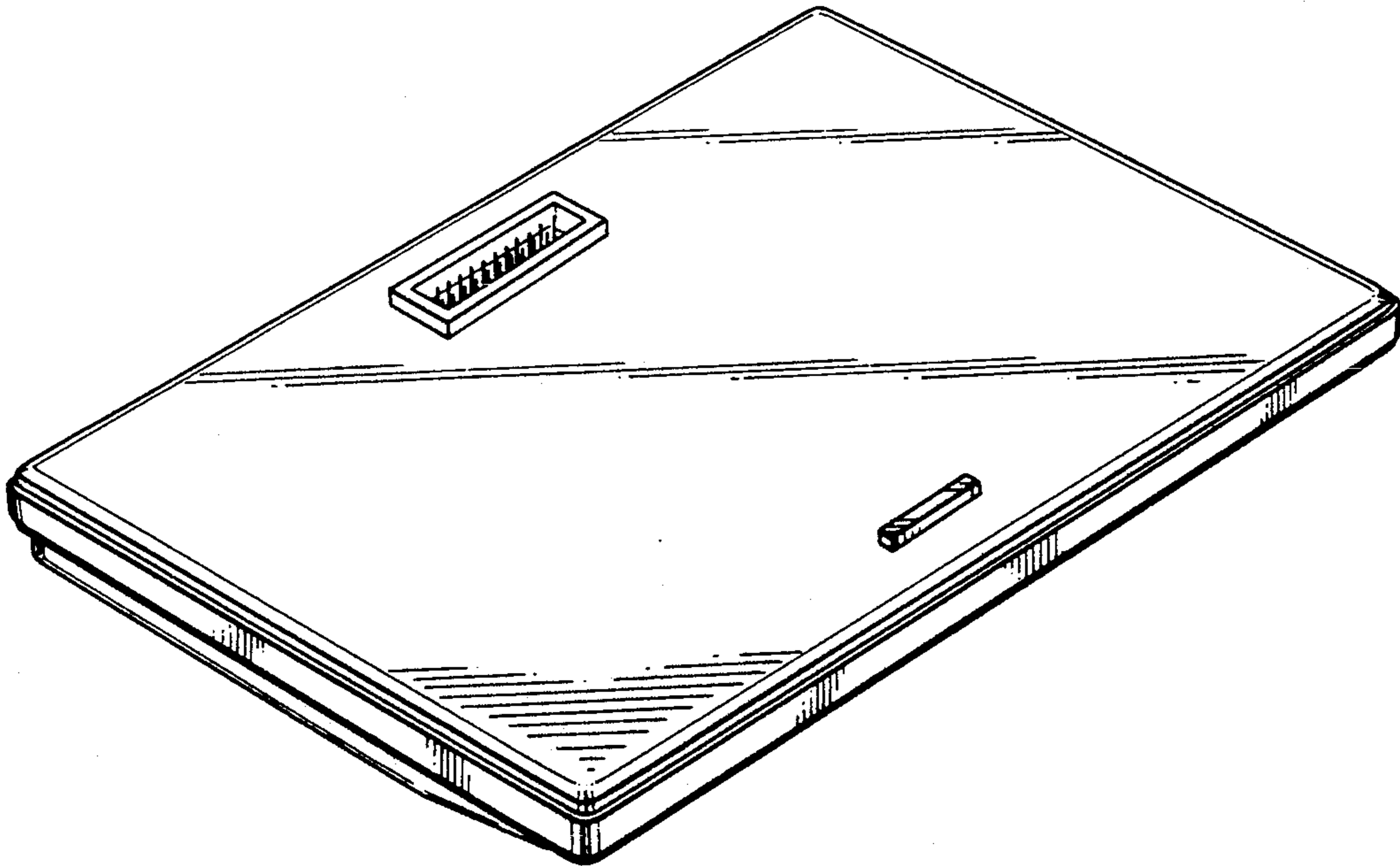


FIG. 1

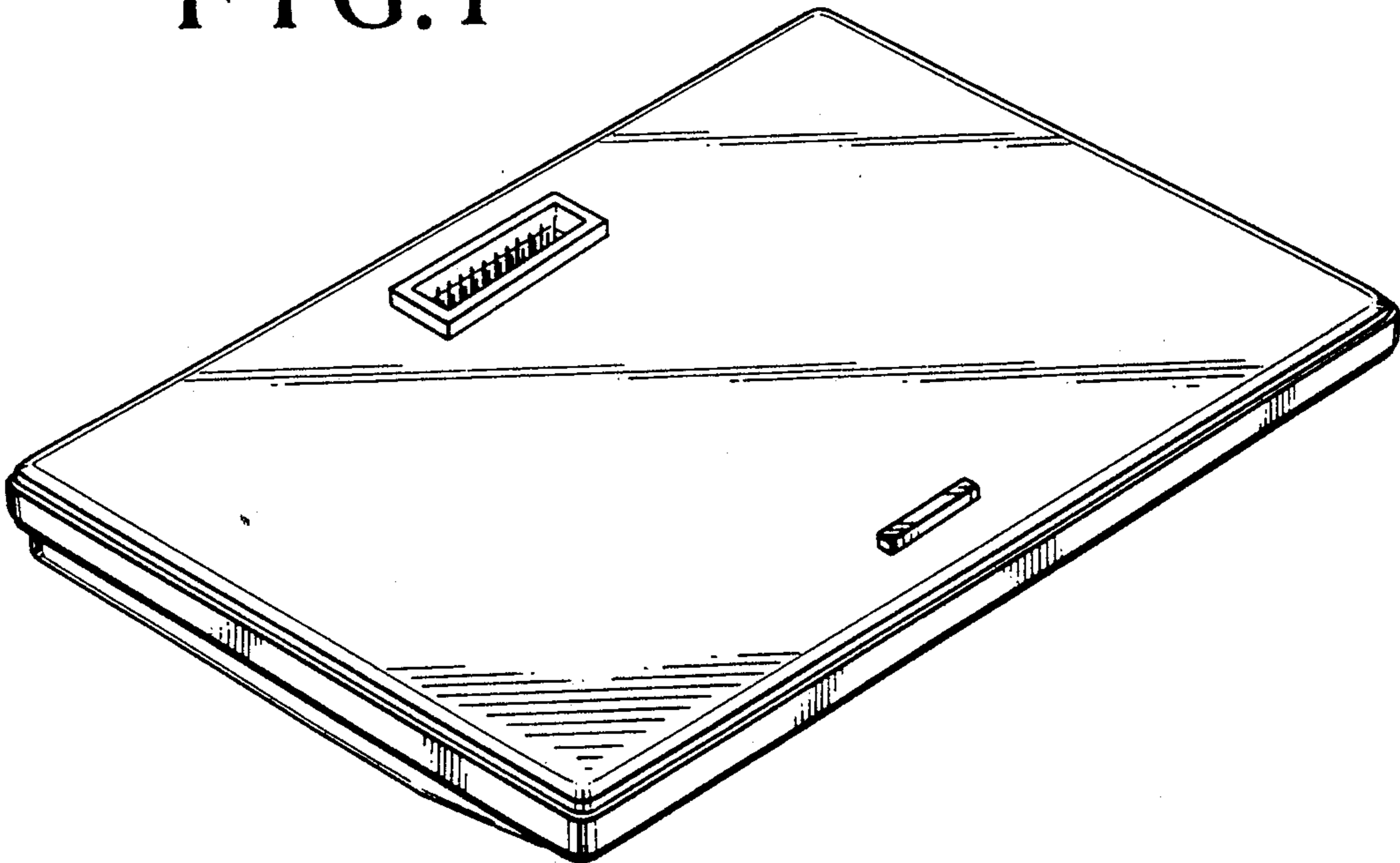


FIG. 2



FIG. 3

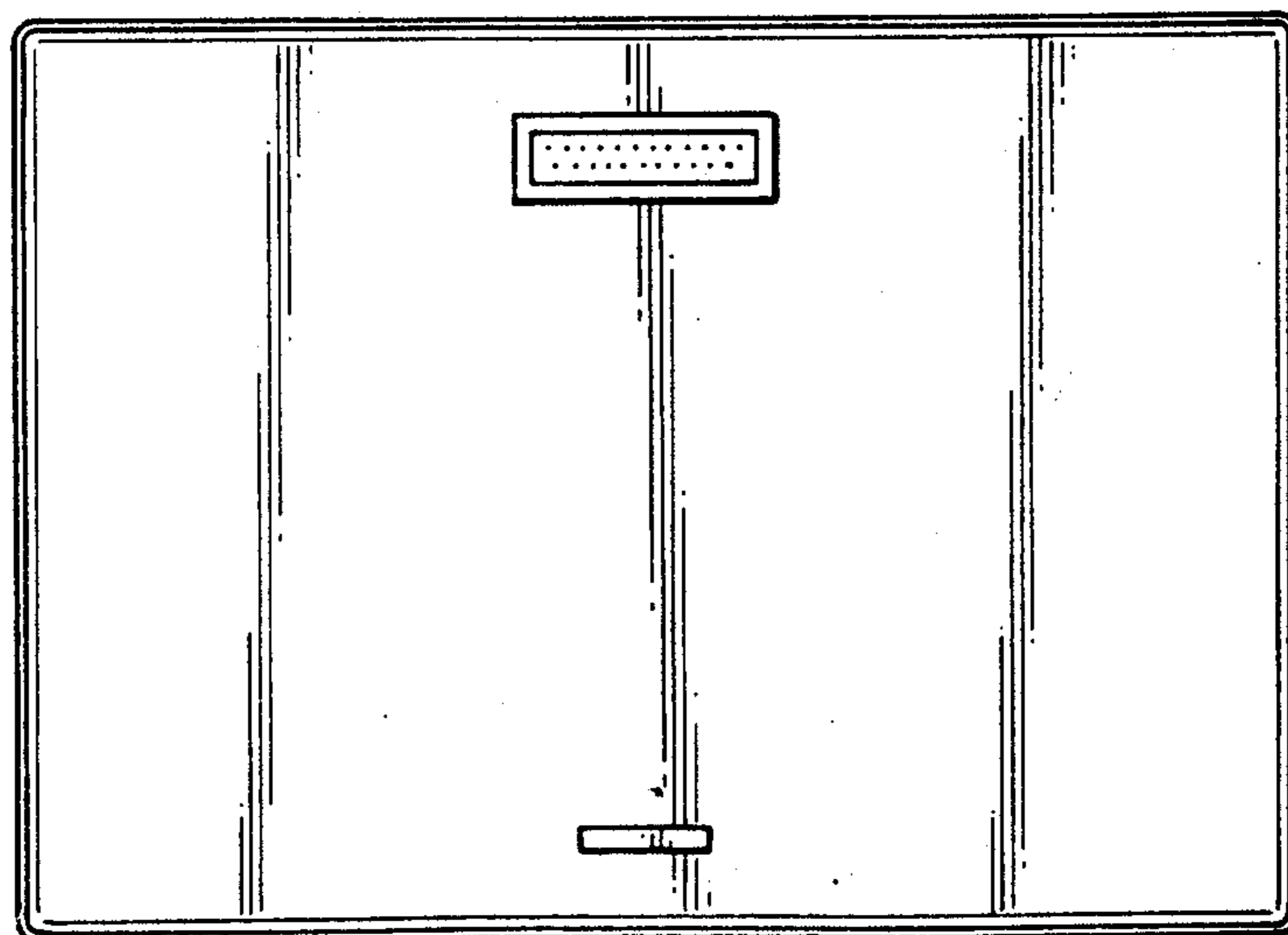


FIG.4



FIG.5

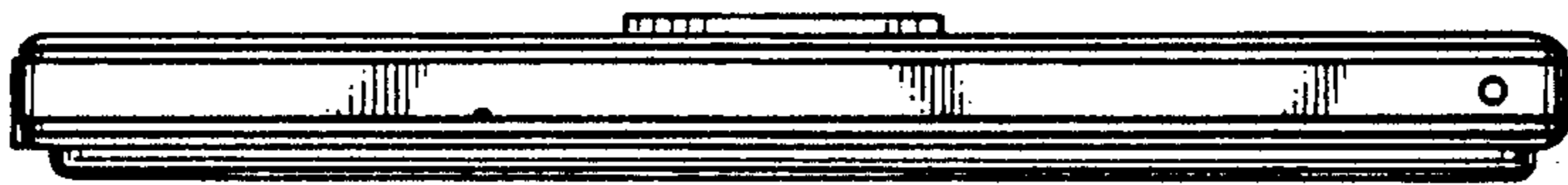


FIG.6

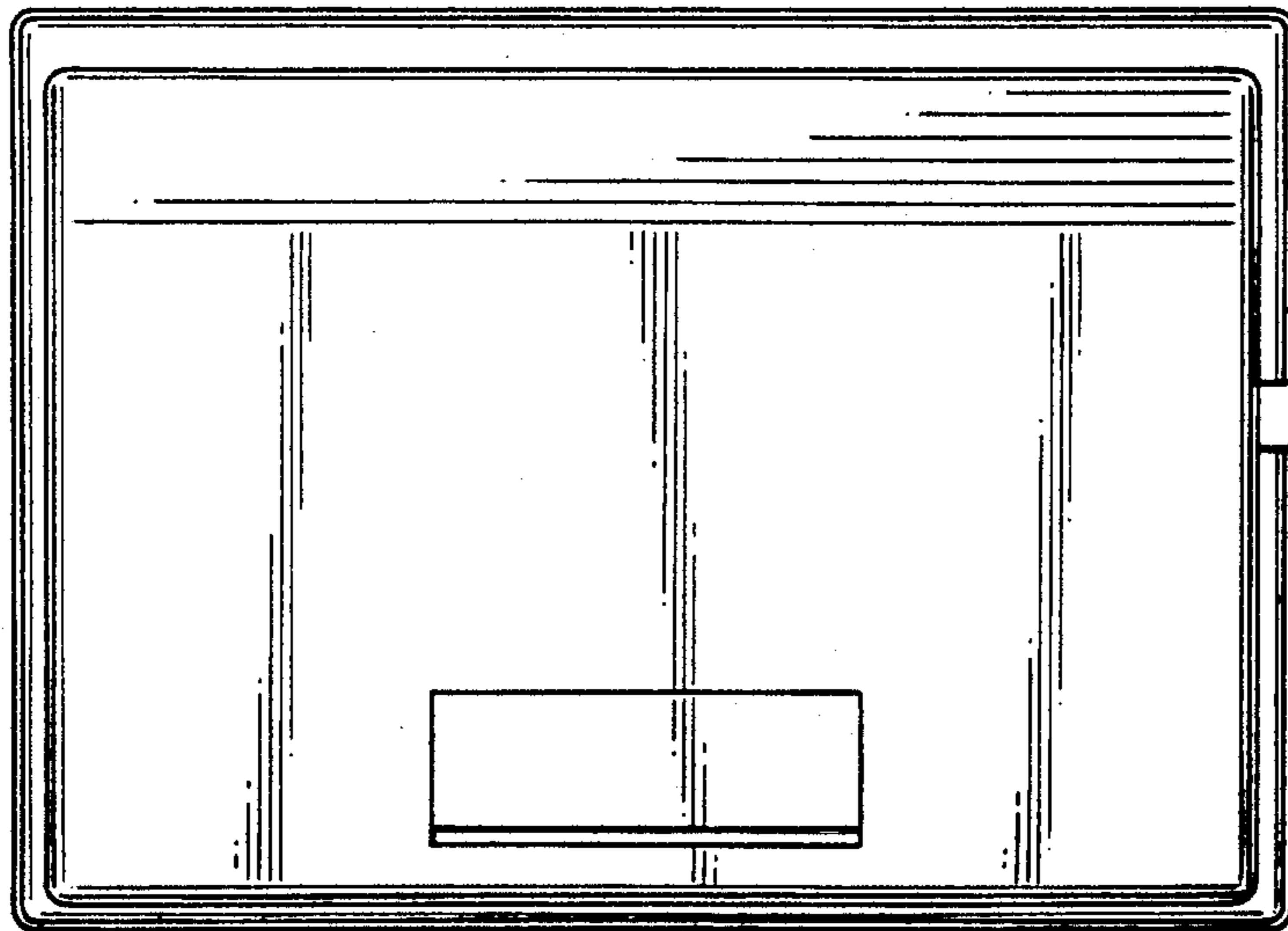


FIG.7

