



US00D331572S

United States Patent [19]

[11] Patent Number: **Des. 331,572**

Roe

[45] Date of Patent: **** Dec. 8, 1992**

[54] **COUPLER FOR TRANSMITTAL OF DATA FROM REMOTE COMPUTER TO HOST COMPUTER**

[75] Inventor: **Mark Roe, Clawson, Mich.**

[73] Assignee: **Rockwell International Corporation, Pittsburgh, Pa.**

[**] Term: **14 Years**

[21] Appl. No.: **501,634**

[22] Filed: **Mar. 30, 1990**

[52] U.S. Cl. **D14/107**

[58] Field of Search **D14/100, 107, 114, 121; D13/110, 123, 147, 162, 184; 200/5 R; 361/380, 390-395; 439/95, 284, 357, 372, 374, 283, 278**

[56] References Cited

U.S. PATENT DOCUMENTS

- D. 286,053 10/1986 McDaniel et al. D14/121 X
- D. 288,434 2/1987 Gemmell D13/147
- D. 309,132 7/1990 Muller et al. D14/107

Primary Examiner—Wallace R. Burke

Assistant Examiner—Freda S. Nunn

[57] CLAIM

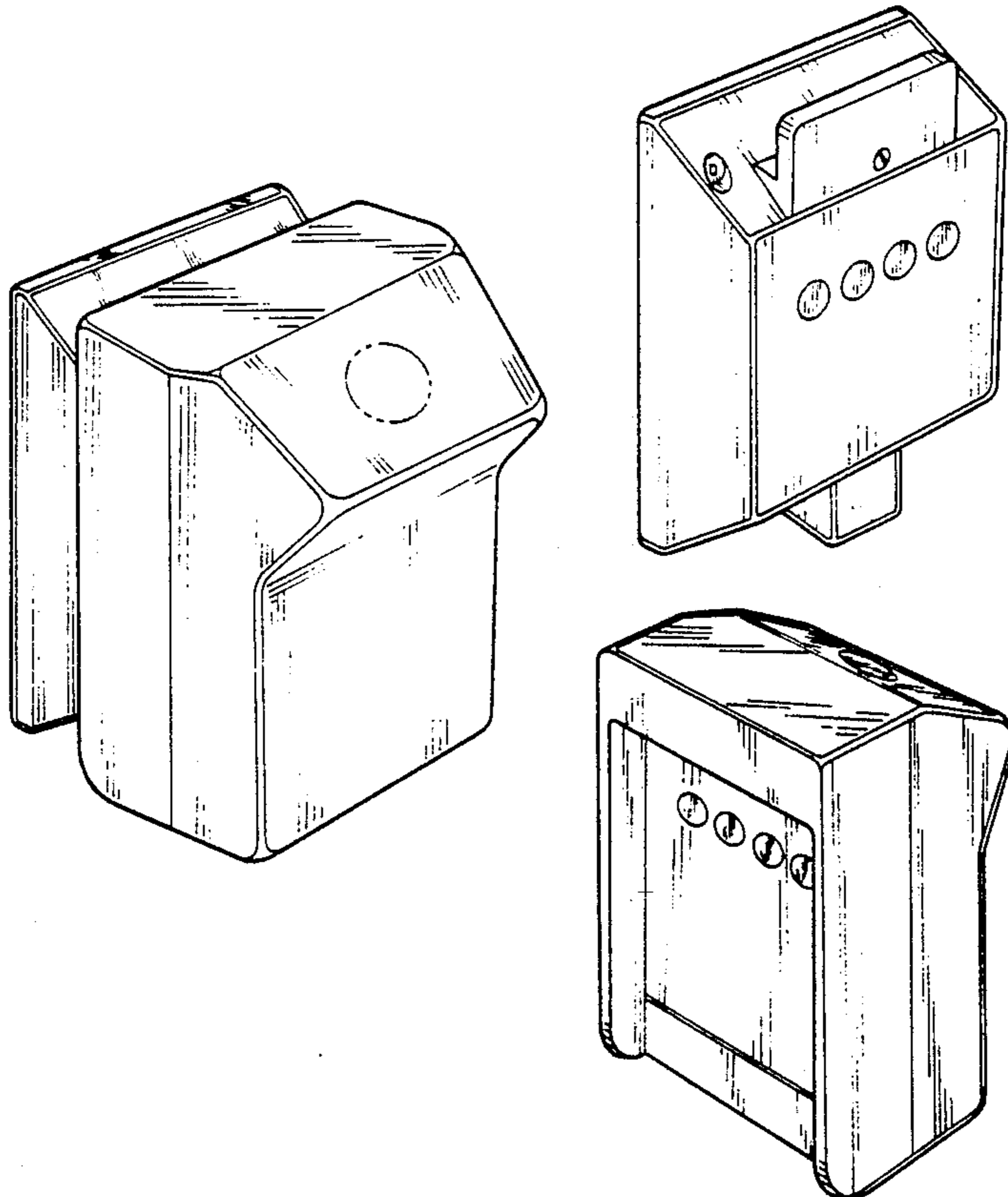
The ornamental design for a coupler for transmittal of

data from remote computer to host computer, as shown and described.

DESCRIPTION

FIG. 1 is a top front and side perspective view of a coupler for transmittal of data from remote computer to host computer showing my new design;
 FIG. 2 is a side elevational view thereof, the opposite side being identical in appearance;
 FIG. 3 is a front elevational view thereof;
 FIG. 4 is a top plan view thereof;
 FIG. 5 is a top front and side perspective view of a portion of the coupler shown in FIG. 1 and it being shown separately for clarity of illustration only;
 FIG. 6 is a side elevational view thereof, the opposite side being identical in appearance;
 FIG. 7 is a front elevational view thereof, the undisclosed rear being flat and unornamented;
 FIG. 8 is a top plan view thereof;
 FIG. 9 is a bottom plan view thereof;
 FIG. 10 is a top rear and side perspective view of a second portion of the coupler shown in FIG. 1 and it being shown separately for clarity of illustration only;
 FIG. 11 is a side elevational view thereof, the opposite side being identical in appearance; and,
 FIG. 12 is a rear elevational view thereof.

The undisclosed bottom plan view of the second portion of the coupler is flat and unornamented and the circular design element is shown in broken lines in the views for illustrative purposes only and forms no part of the claimed design.



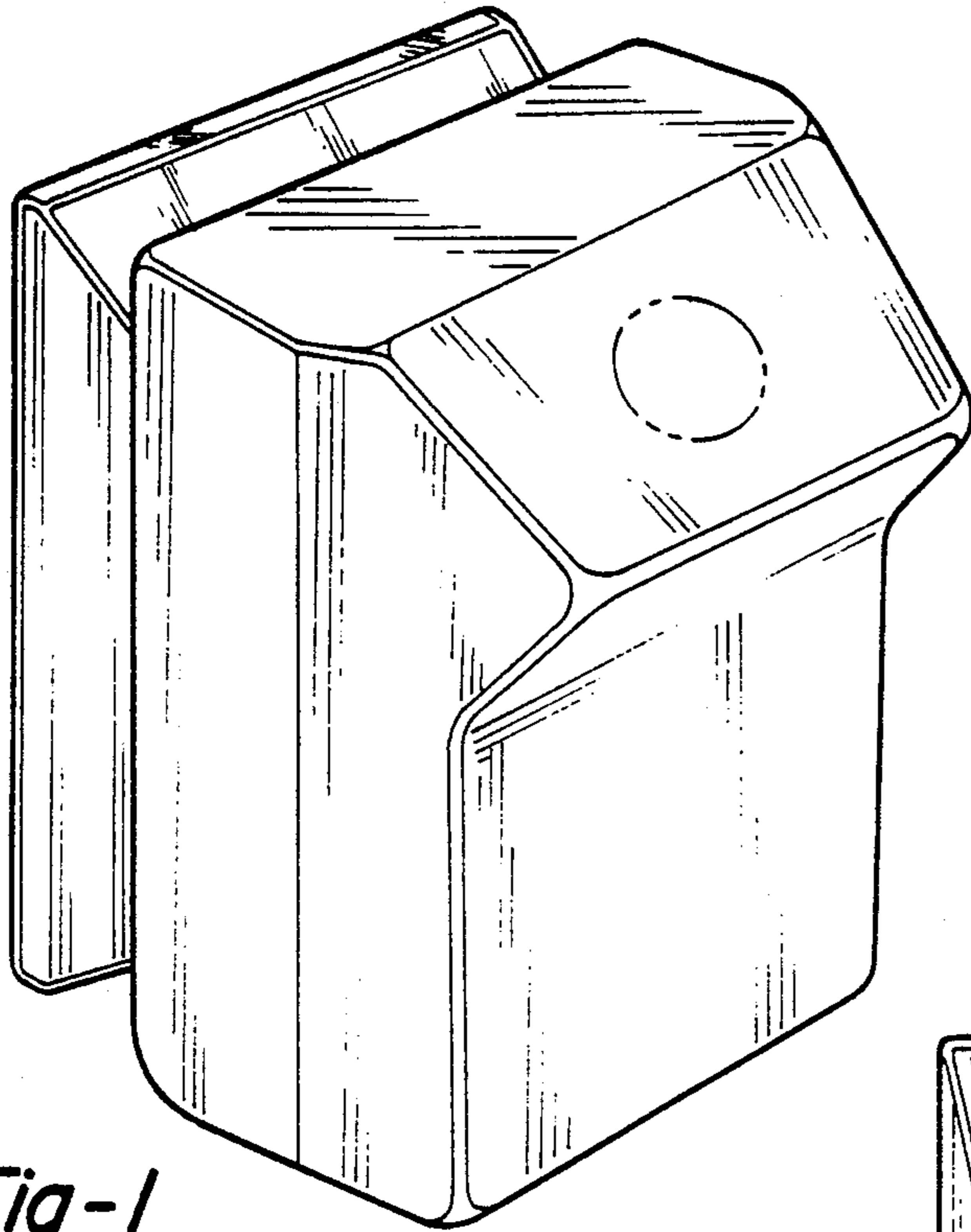


Fig-1

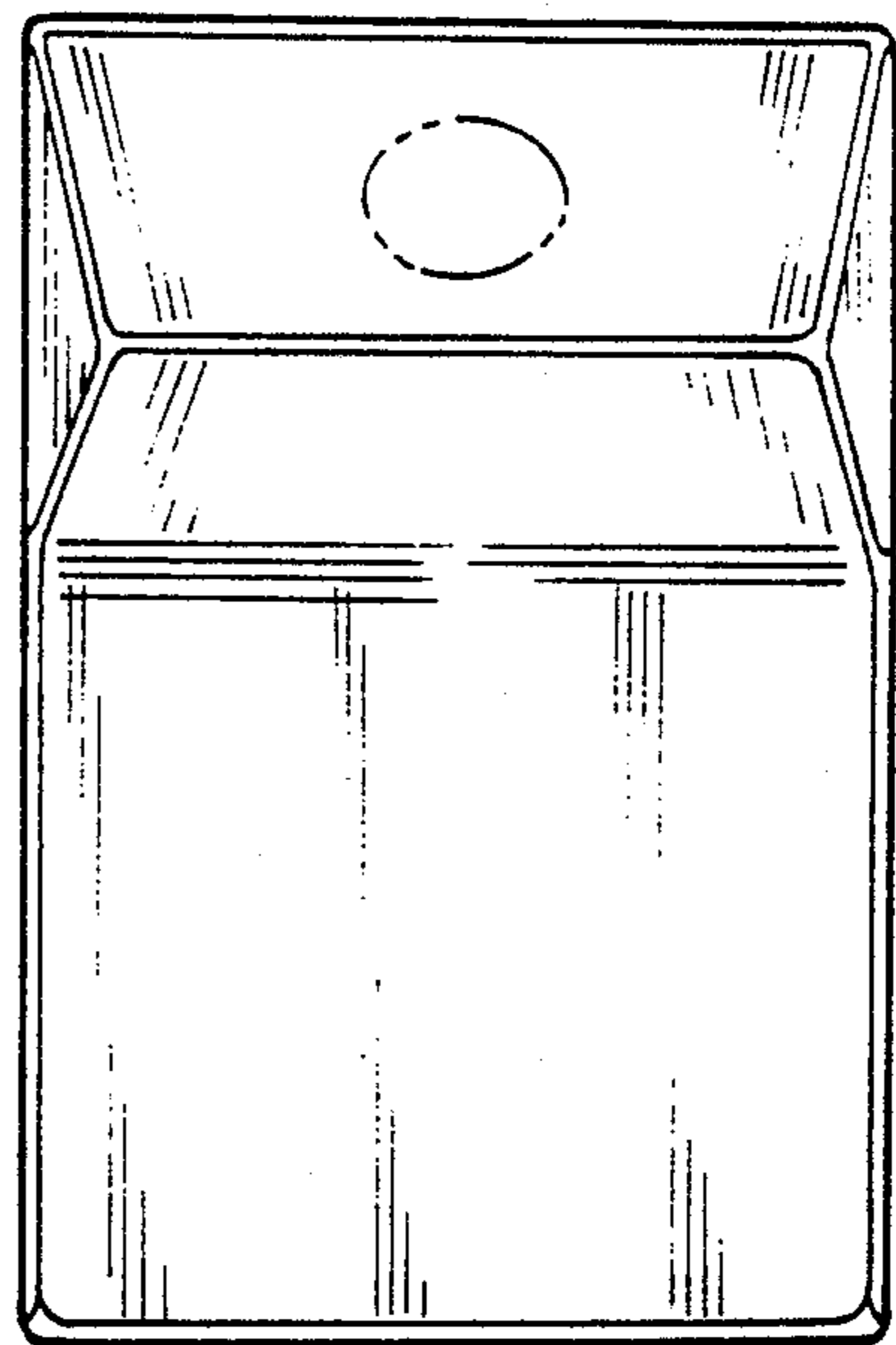


Fig-3

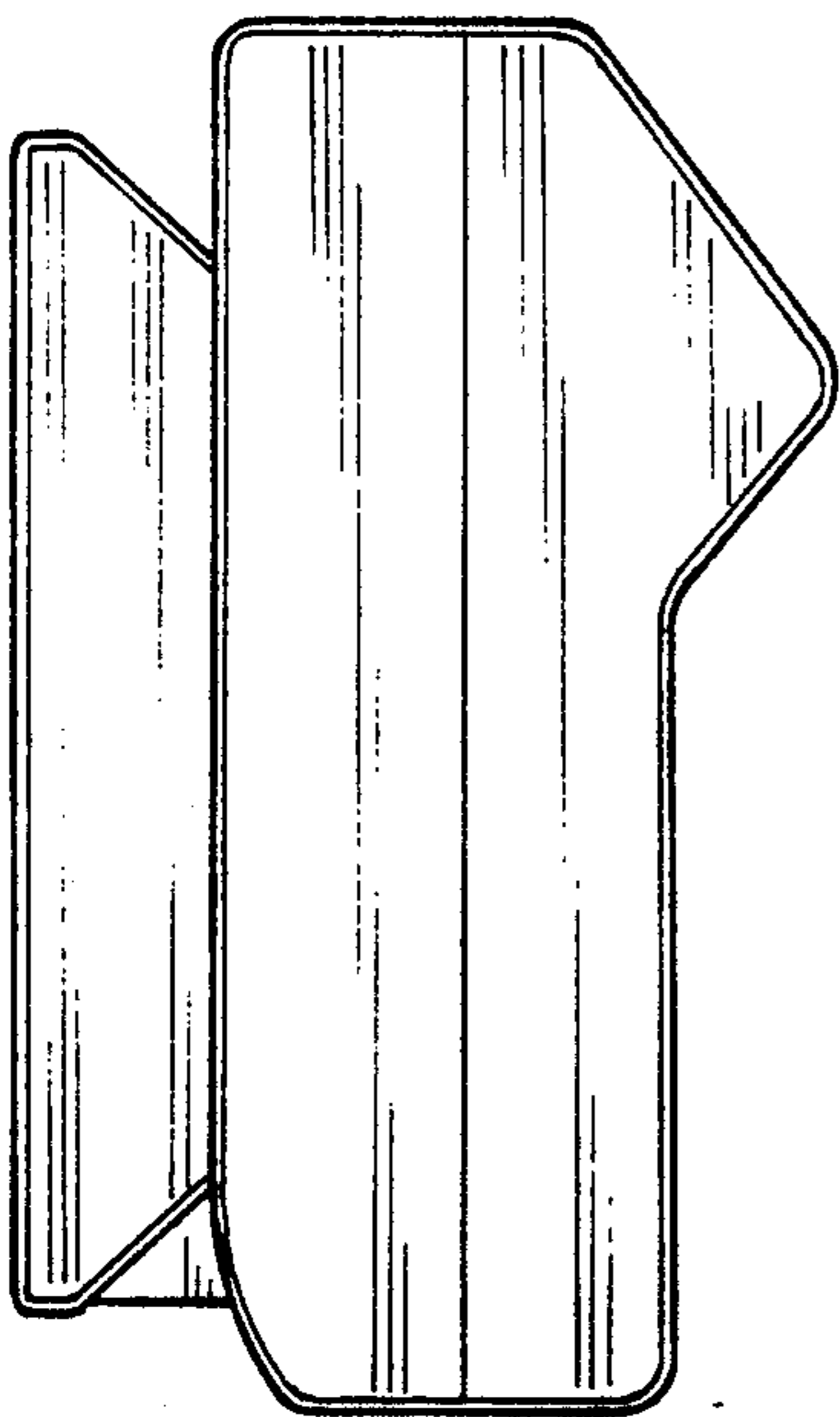
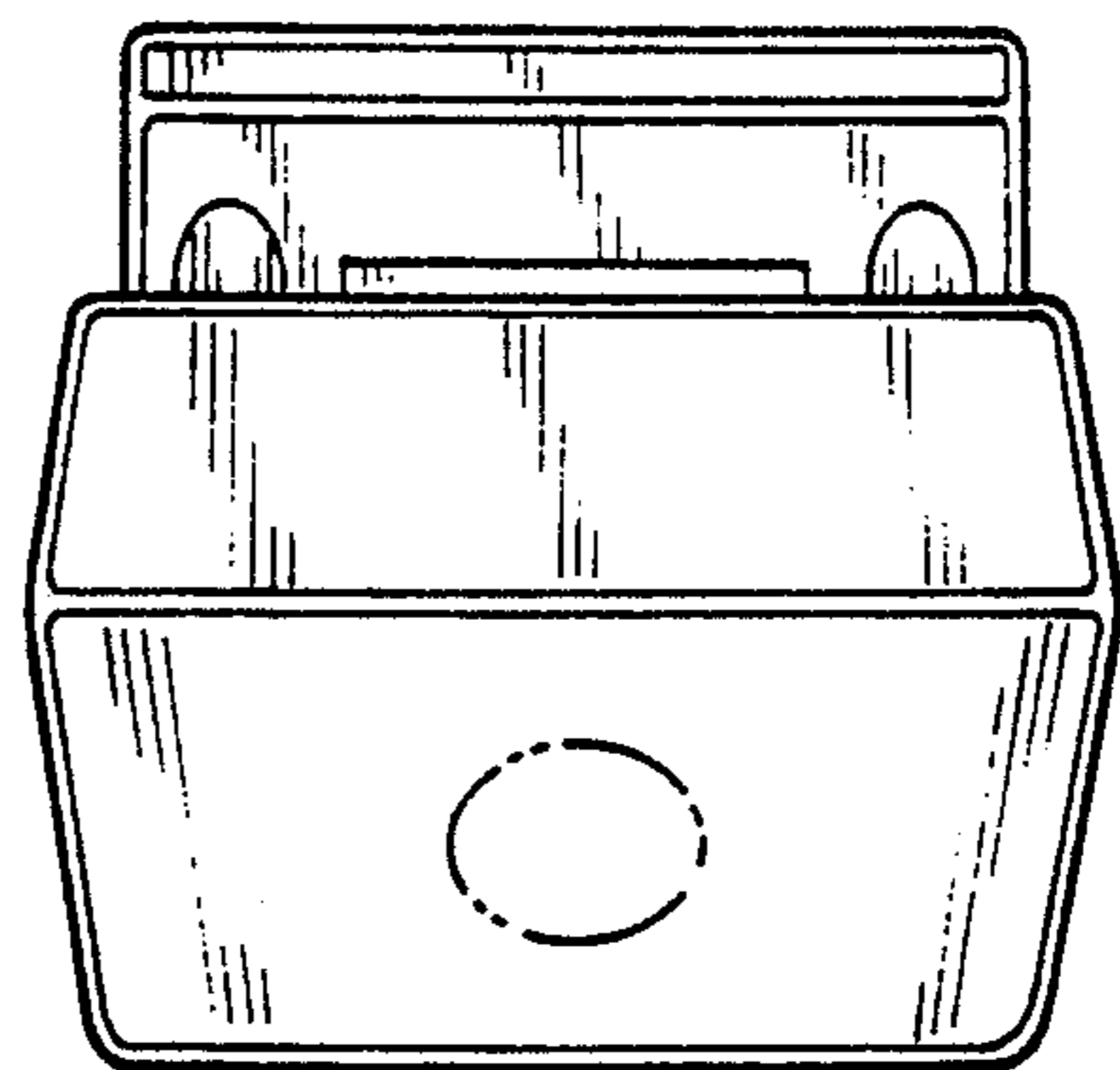


Fig-2

Fig-4



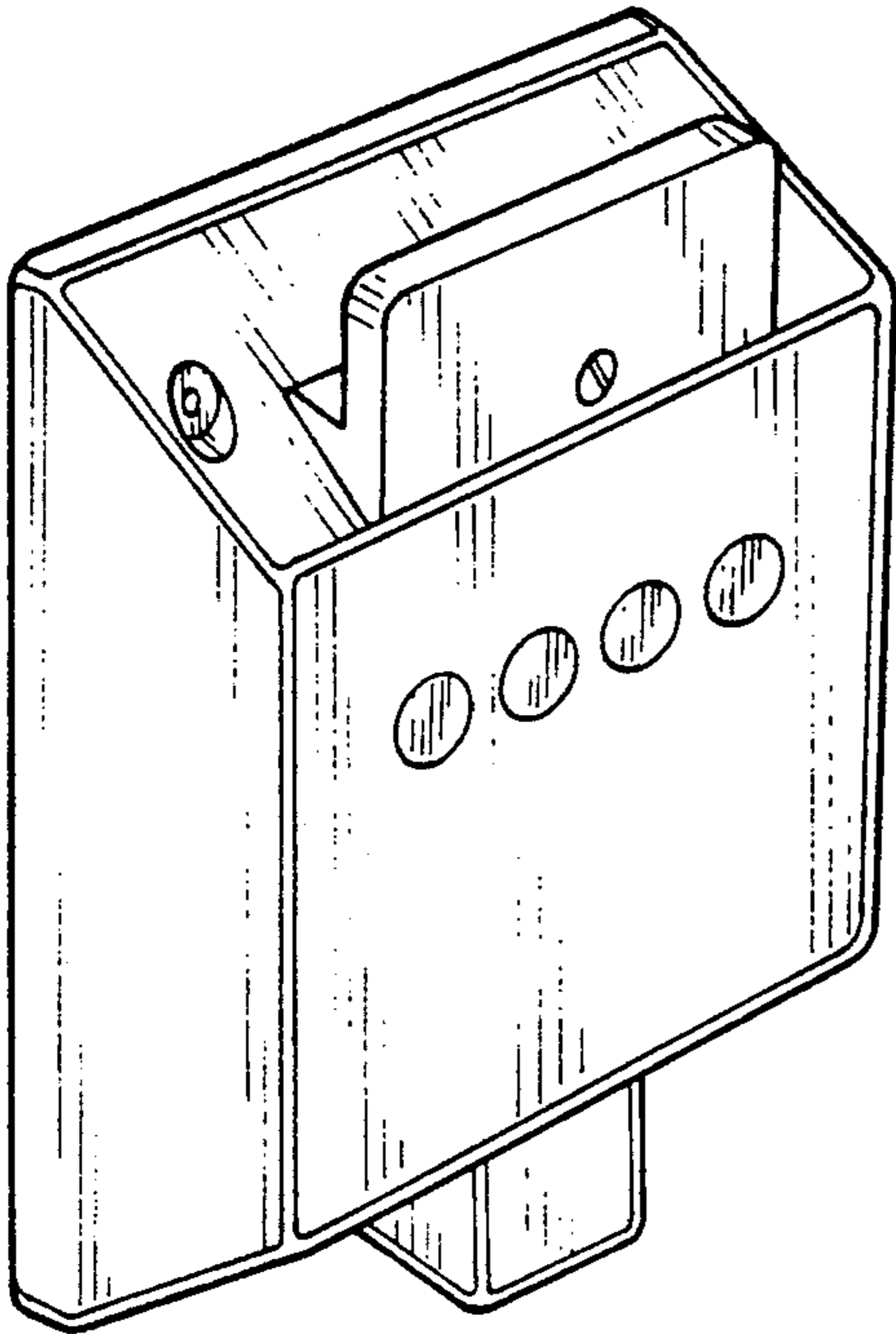


Fig-5

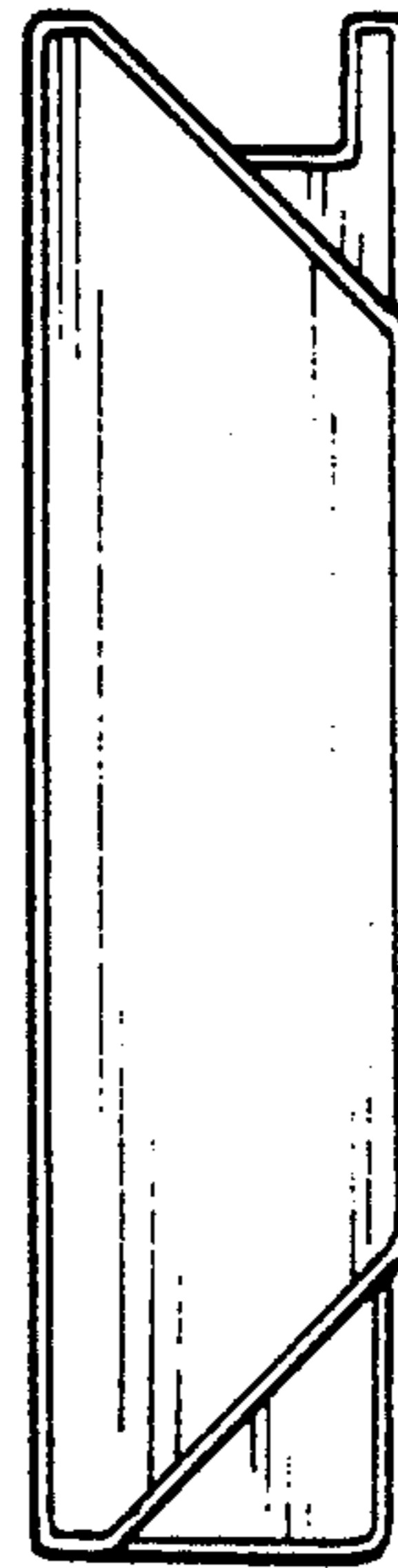


Fig-6

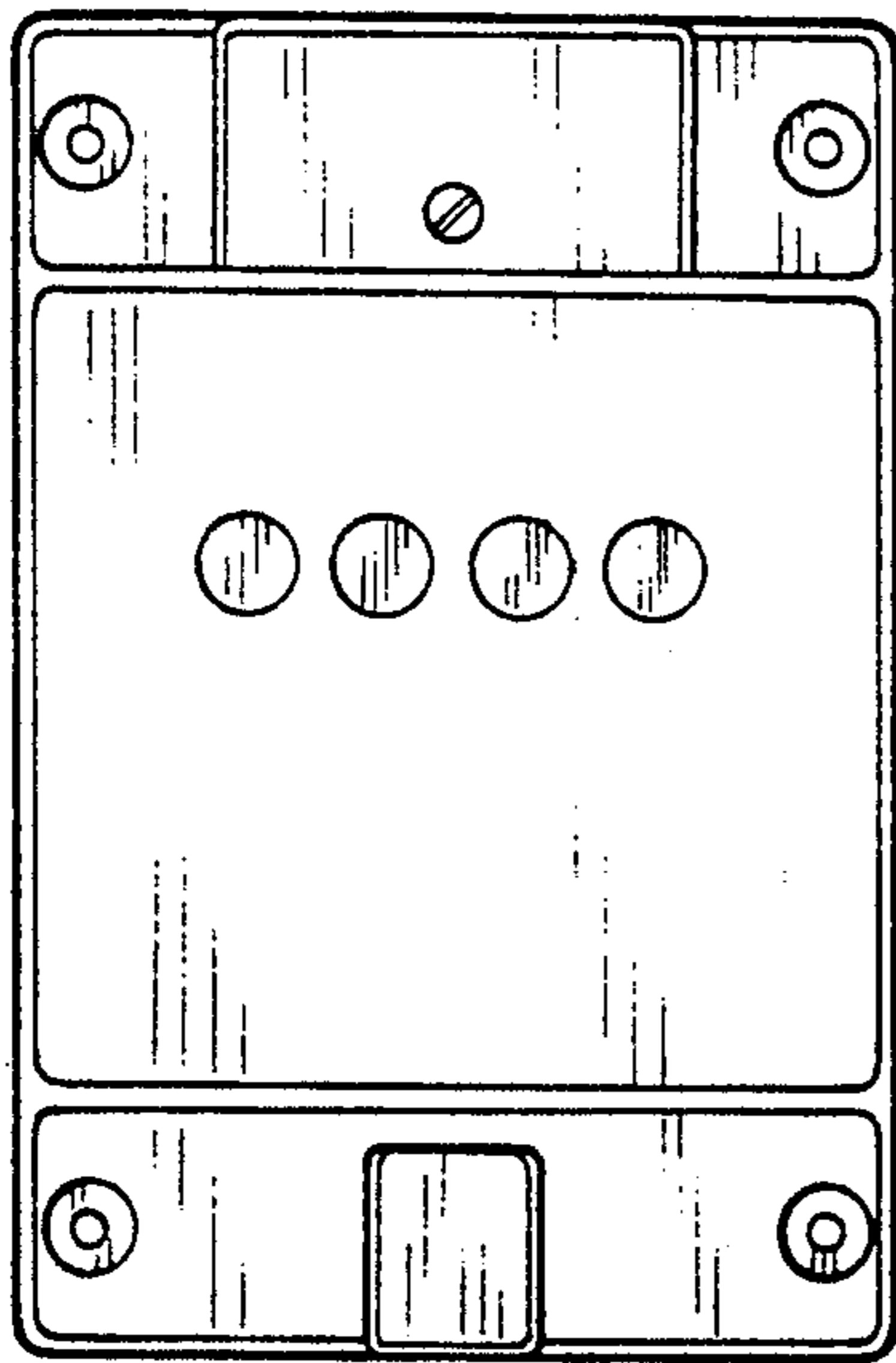


Fig-7

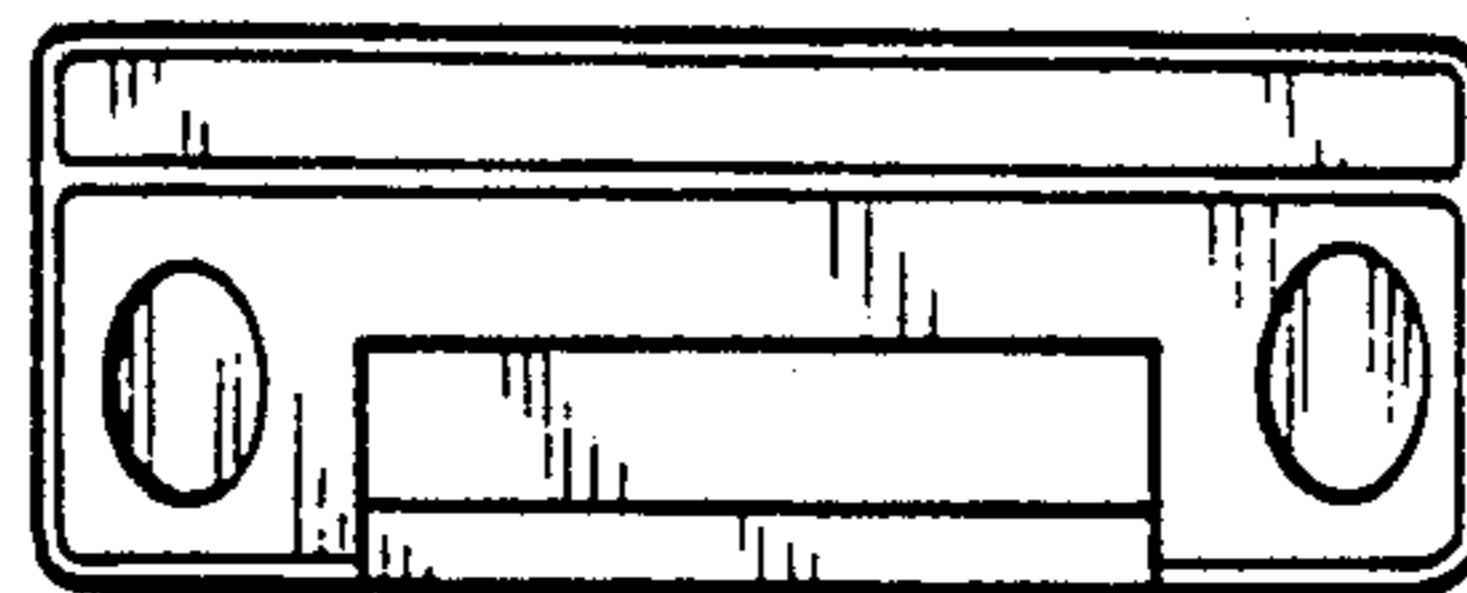


Fig-8

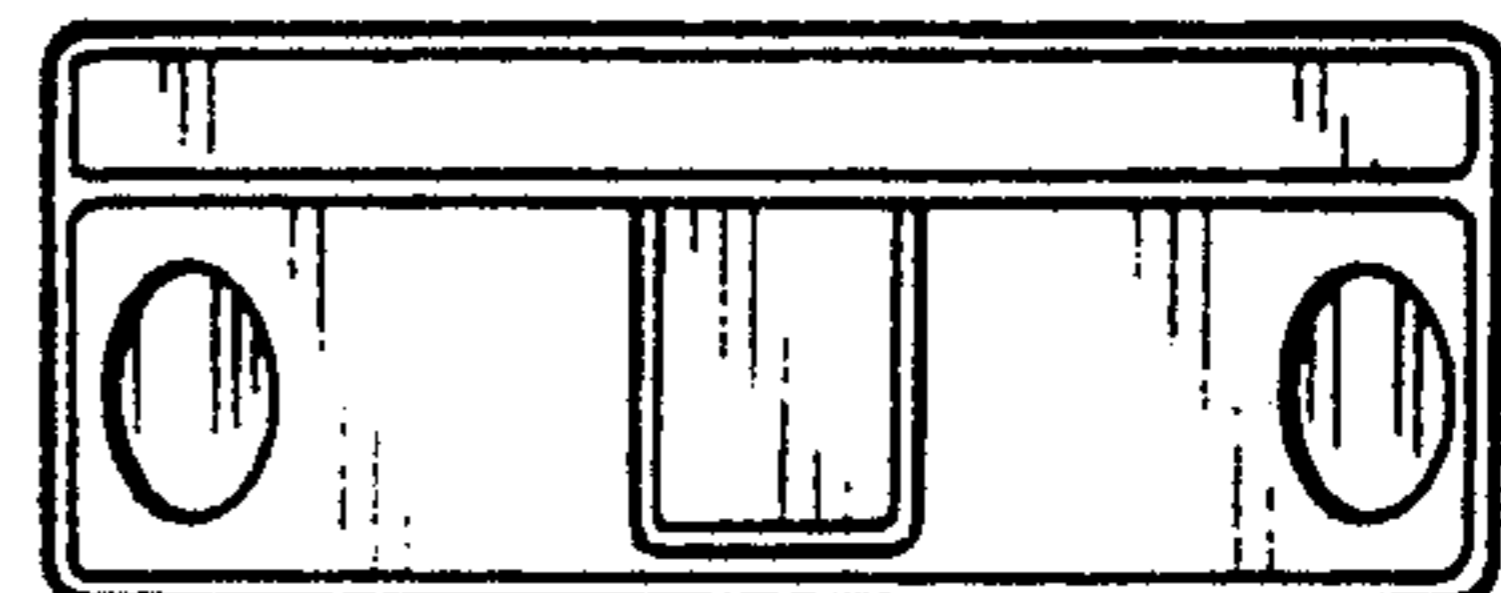


Fig-9

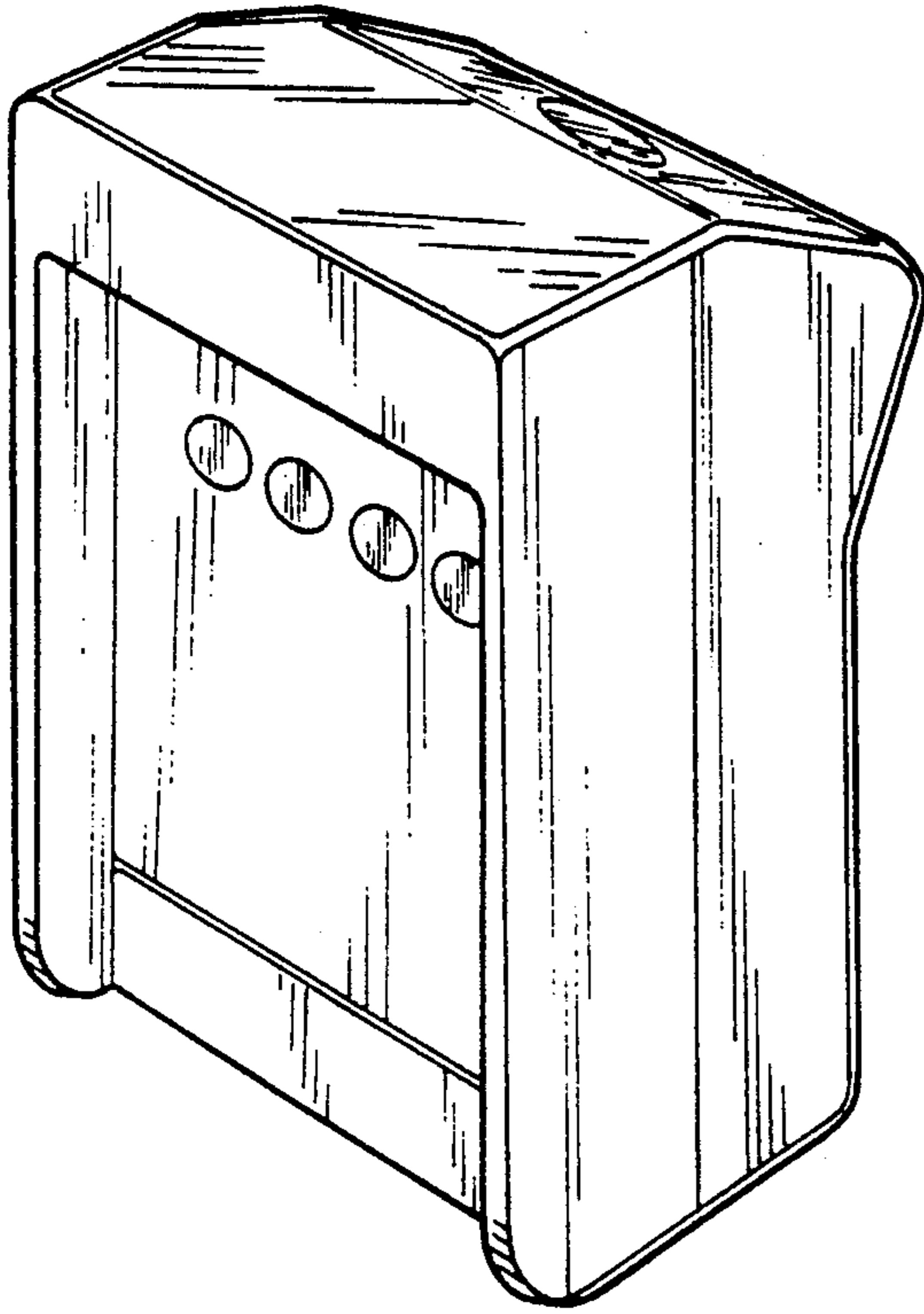


Fig-10

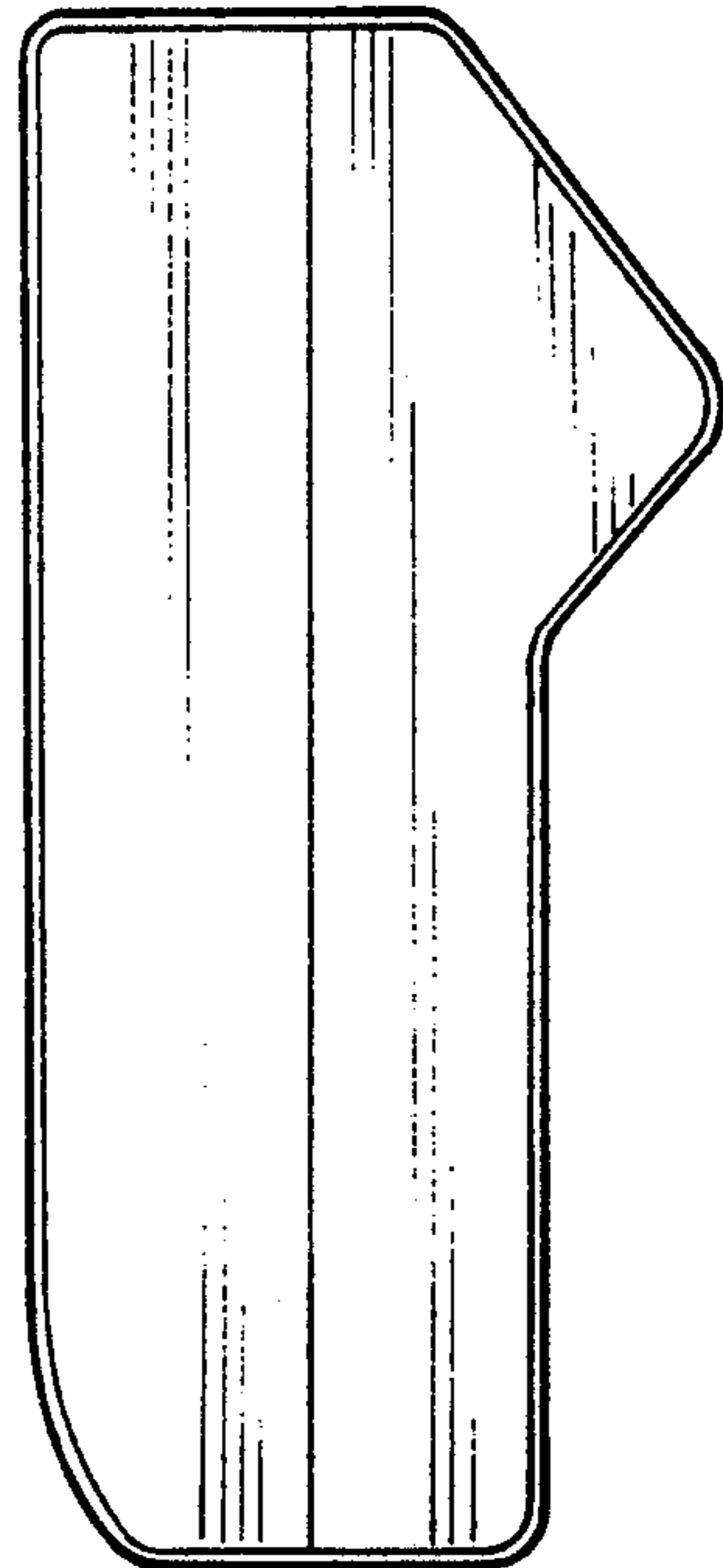


Fig-11

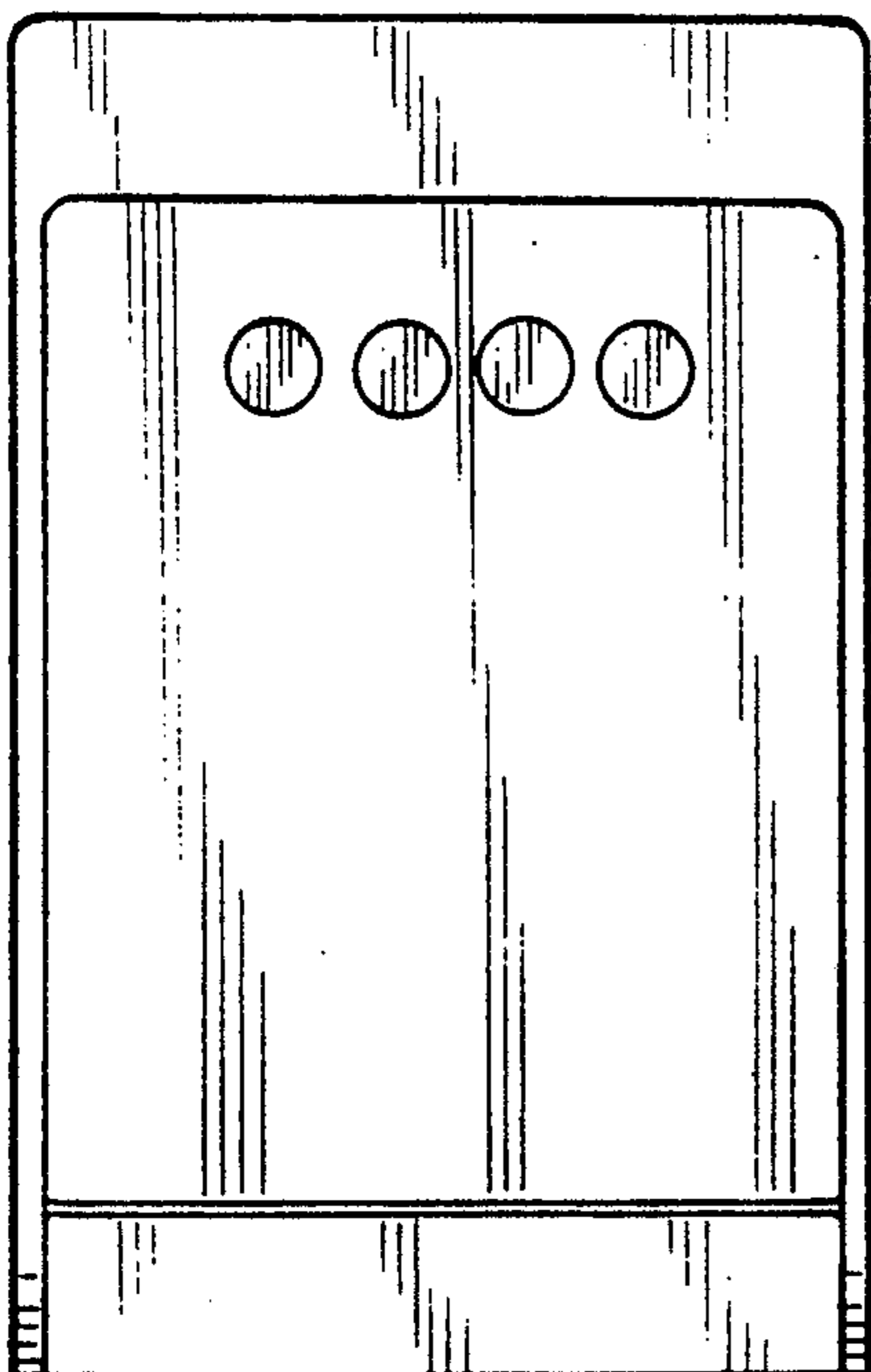


Fig-12