



US00D331568S

United States Patent [19]

[11] Patent Number: **Des. 331,568**

Koller et al.

[45] Date of Patent: **** Dec. 8, 1992**

[54] COMPUTER TERMINAL

[75] Inventors: **Thomas J. Koller, West Linn; Frank T. Terada, Beaverton; Tok Doun, Tigard, all of Oreg.**

[73] Assignee: **Tektronix, Inc., Wilsonville, Oreg.**

[**] Term: **14 Years**

[21] Appl. No.: **547,344**

[22] Filed: **Jun. 29, 1990**

[52] U.S. Cl. **D14/100**

[58] Field of Search **D14/100, 102, 106, 107, D14/109, 114; D13/184, 199; 364/706-708; 340/700, 706, 711, 712; 361/390-395**

[56] References Cited

U.S. PATENT DOCUMENTS

D. 287,724	1/1987	Keely et al.	D14/100
D. 288,094	2/1987	Davis et al.	D14/100
D. 298,752	11/1988	Hoshino	D14/100
D. 311,730	10/1990	Houghton	D14/100 X

Primary Examiner—Wallace R. Burke
Assistant Examiner—Freda S. Nunn
Attorney, Agent, or Firm—Francis I. Gray

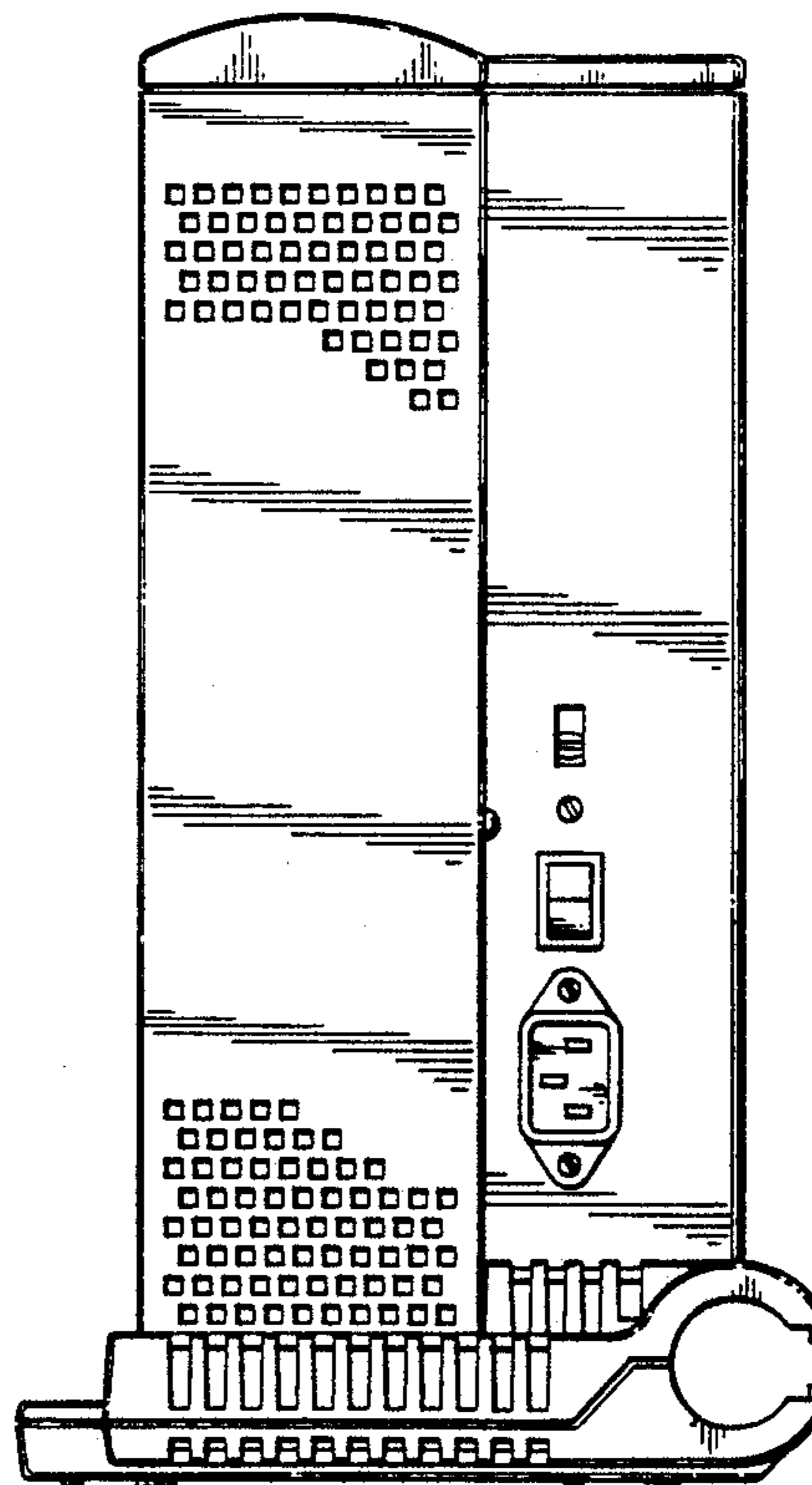
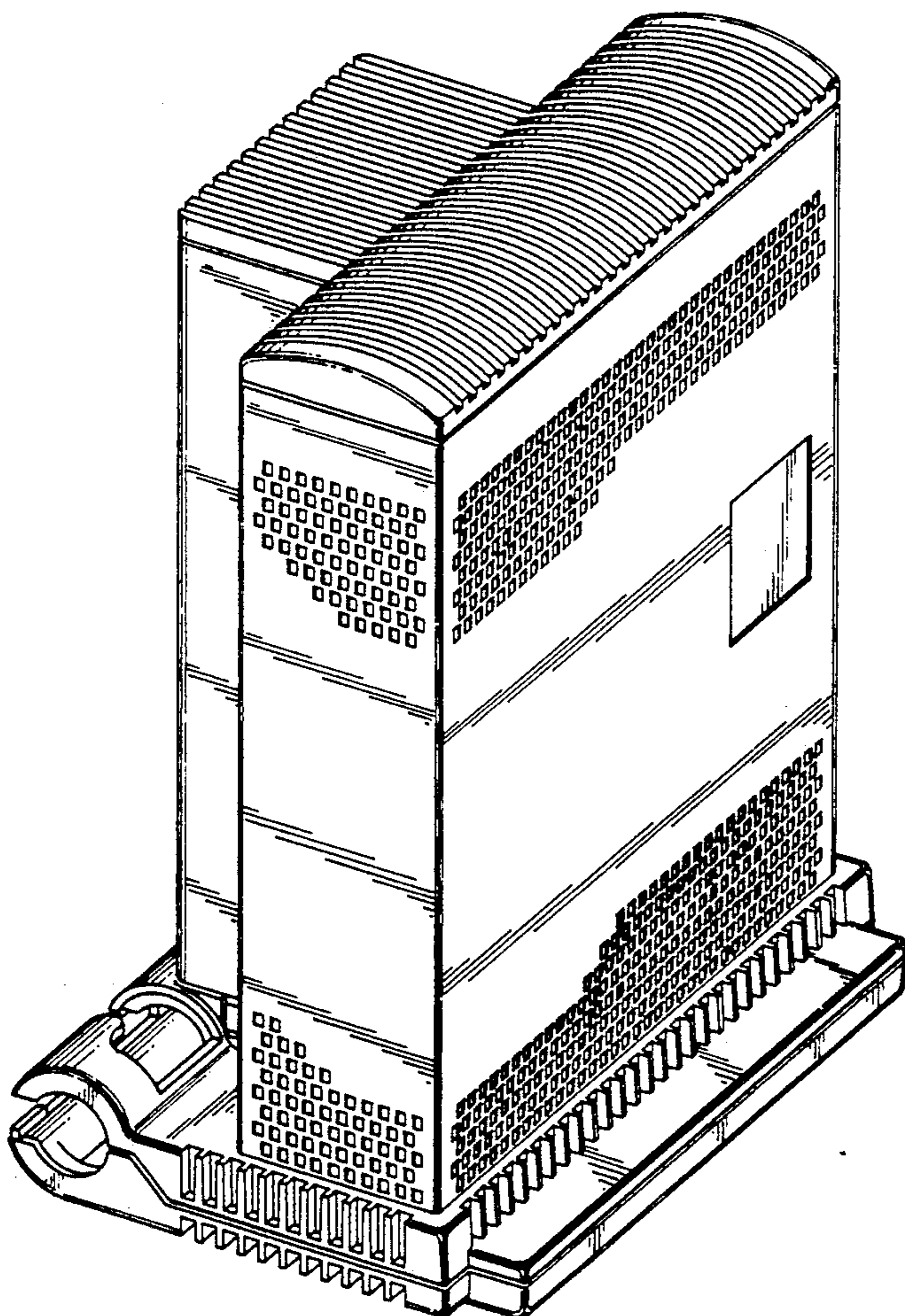
[57] CLAIM

The ornamental design for a computer terminal enclosure, as shown and described.

DESCRIPTION

FIG. 1 is a top front and side perspective view of a computer terminal enclosure showing our new design; FIG. 2 is a side elevational view thereof; FIG. 3 is a top plan view thereof; FIG. 4 is a side elevational view thereof opposite that shown in FIG. 2; FIG. 5 is a rear elevational view thereof; FIG. 6 is a bottom plan view thereof; and, FIG. 7 is a front elevational view thereof.

The rectangular elements are partially shown in the figures for ease of illustration and they are understood to continue uniformly across each of the indicated surfaces.



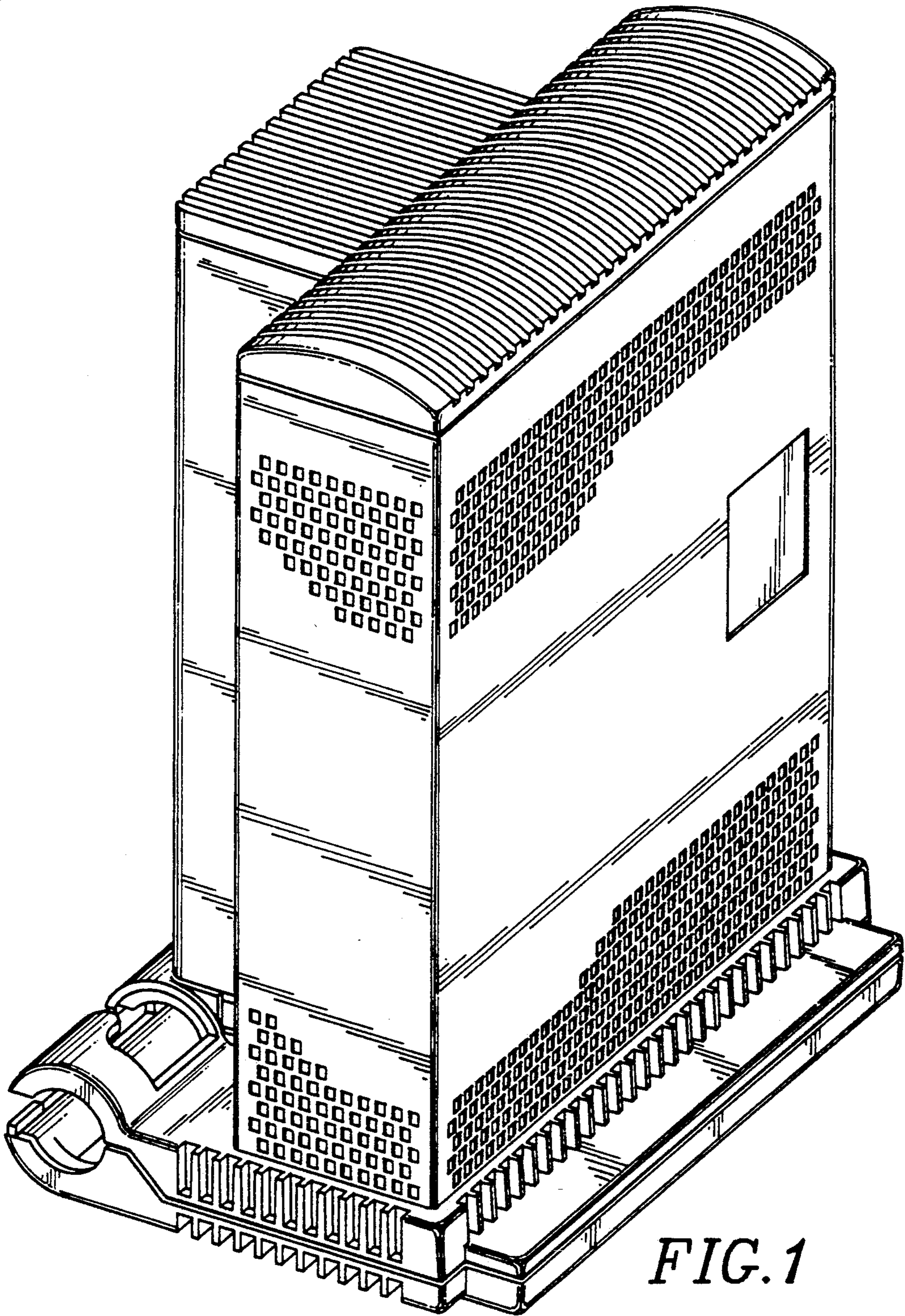


FIG. 1

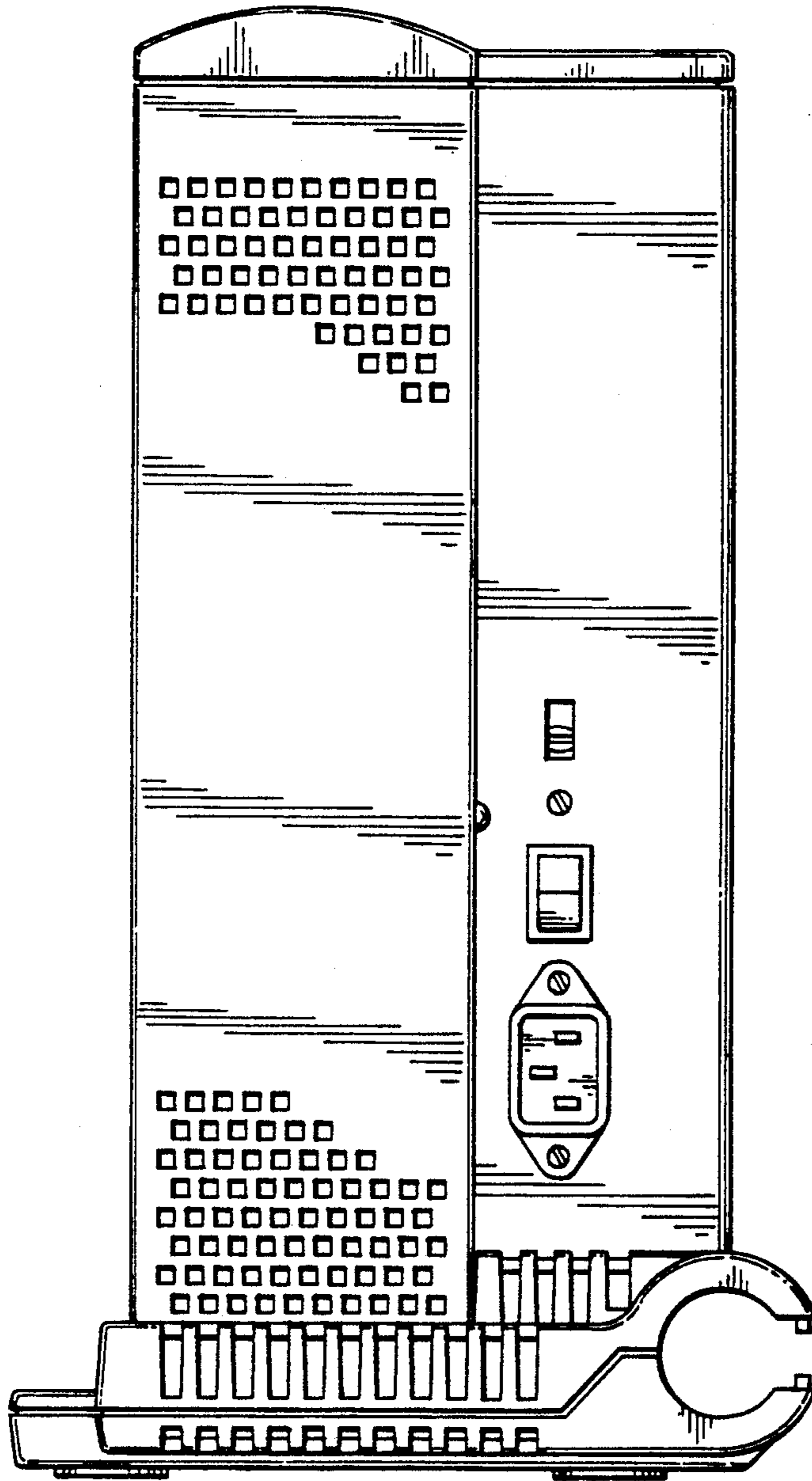


FIG. 2

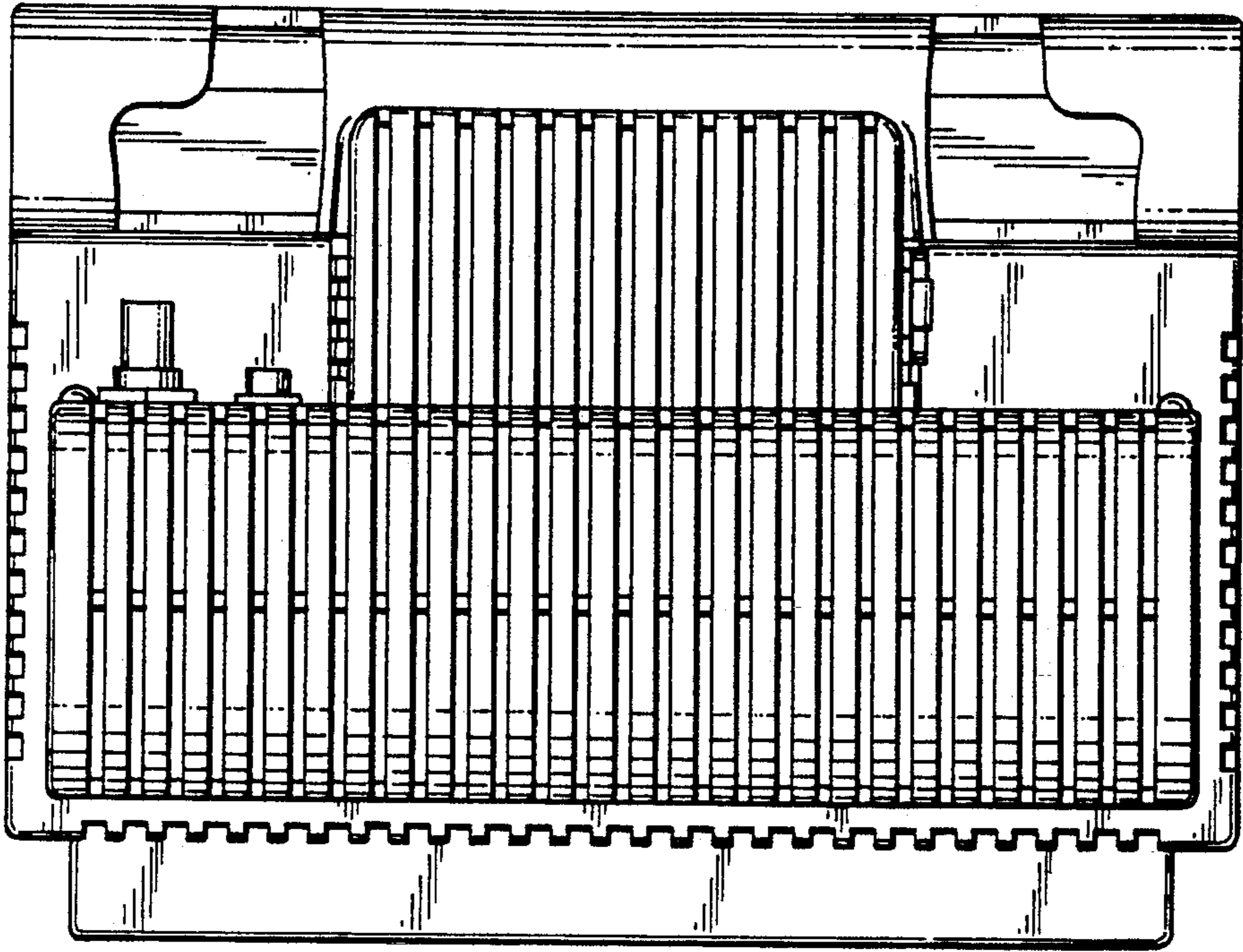


FIG. 3

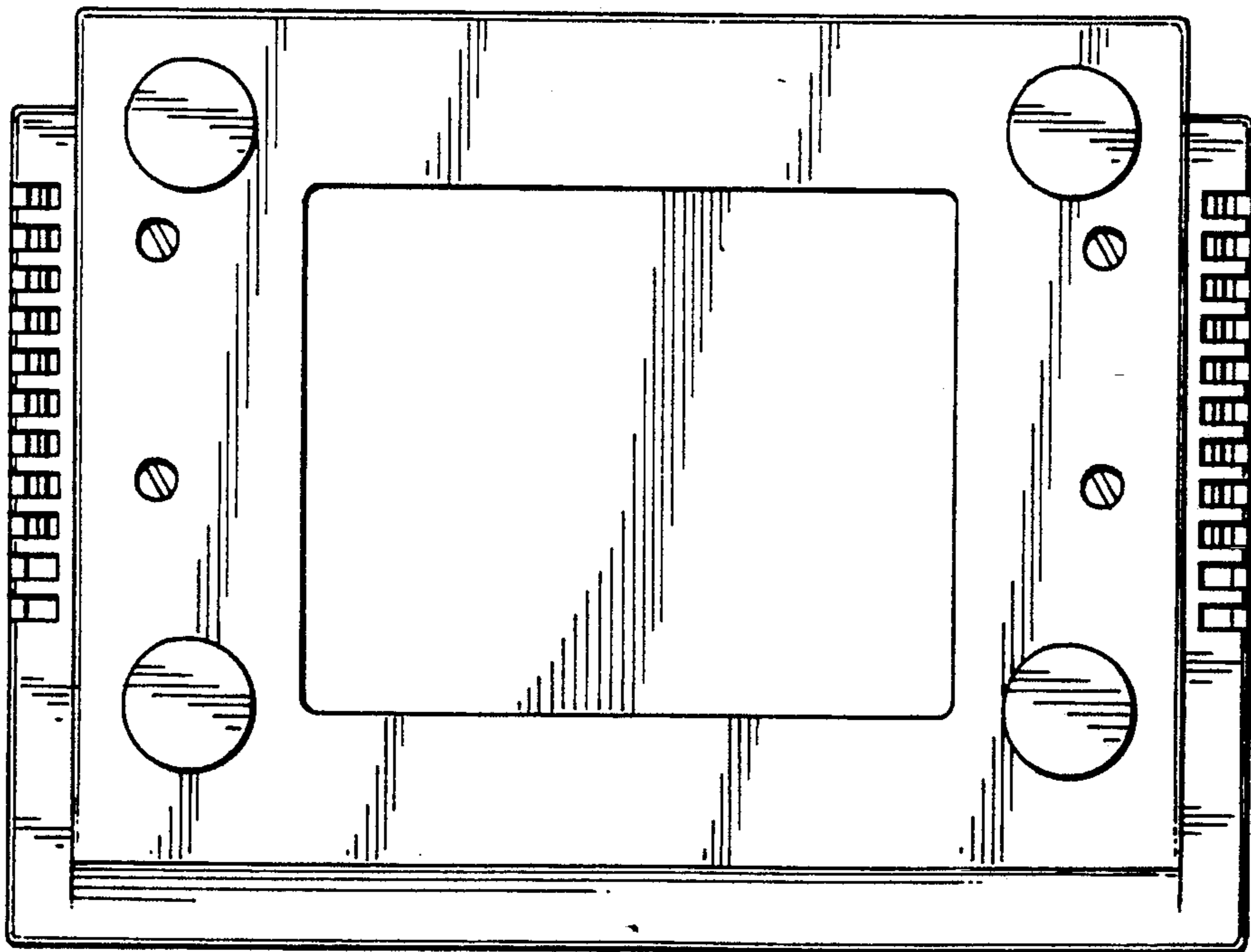


FIG. 6

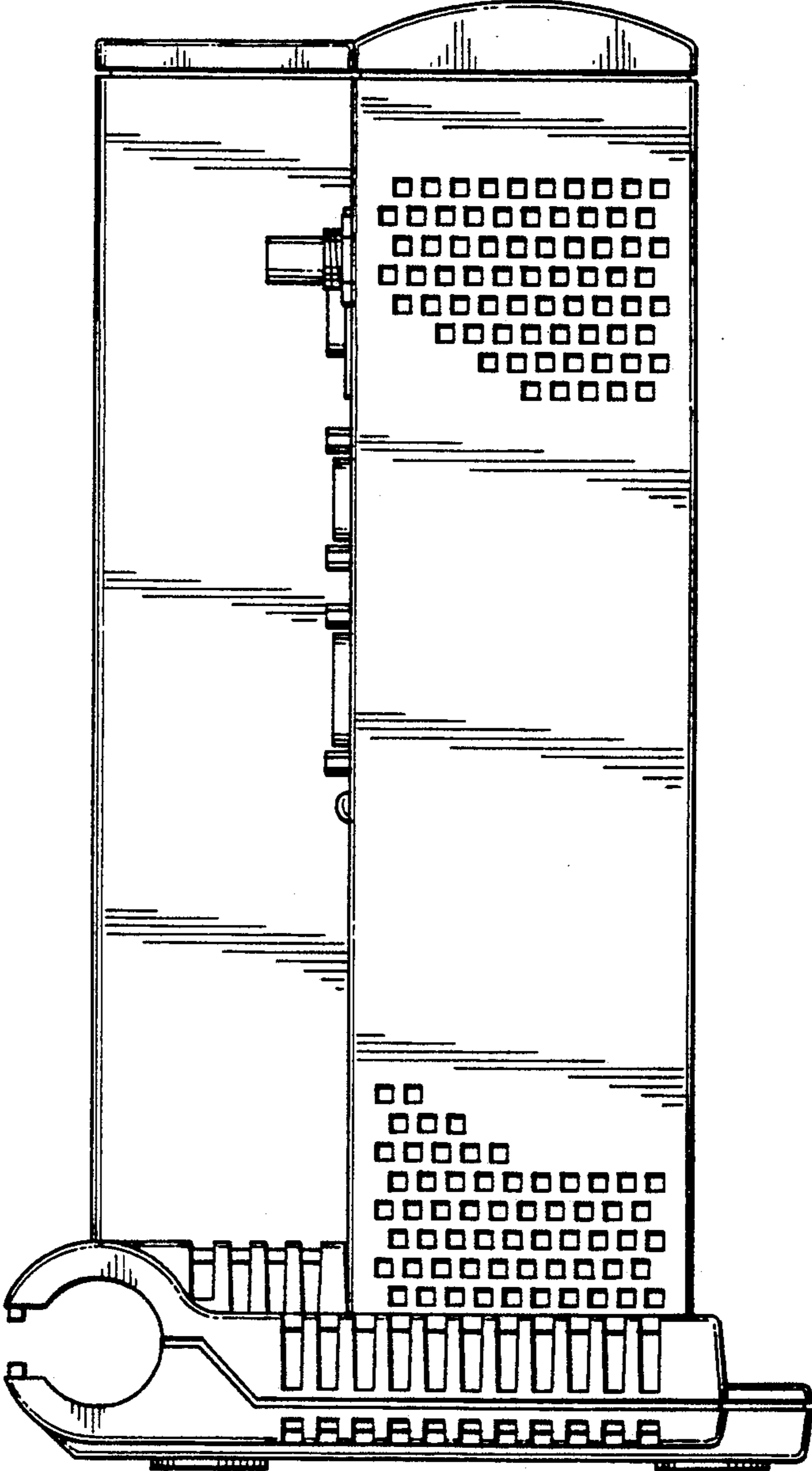


FIG. 4

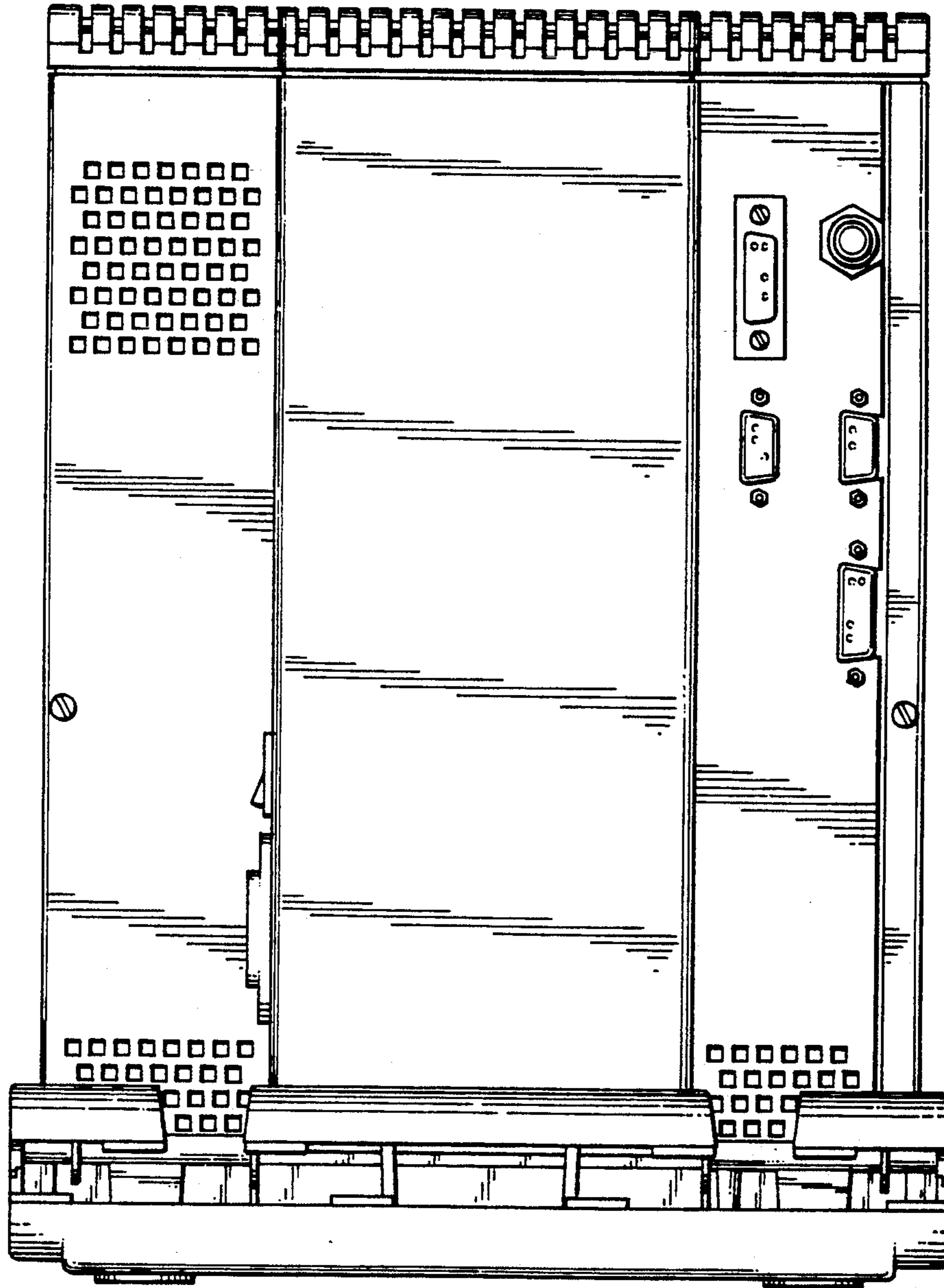


FIG. 5

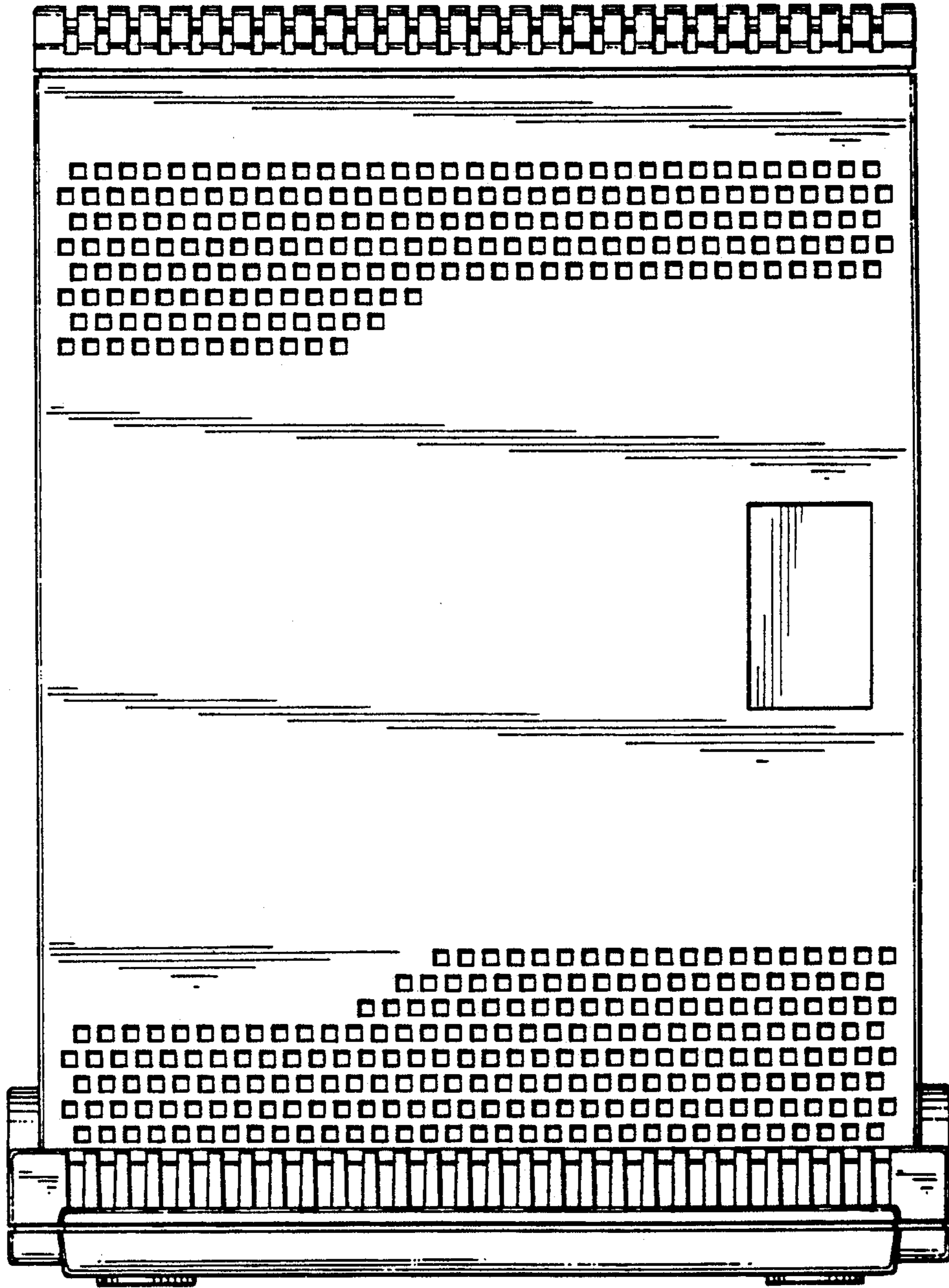


FIG. 7