



US00D331567S

United States Patent [19]

[11] Patent Number: **Des. 331,567**

Braga et al.

[45] Date of Patent: **** Dec. 8, 1992**

- [54] **OPTICAL CONNECTOR STRAIN RELIEF BOOT**
- [75] Inventors: **David J. Braga, Raleigh, N.C.; John P. Sarbell, Grand Island, Fla.; Tetsuaki Watanabe, Durham, N.C.**
- [73] Assignee: **Sumitomo Electric Fiber Optics Corp., Research Triangle Park, N.C.**
- [**] Term: **14 Years**
- [21] Appl. No.: **715,116**
- [22] Filed: **Jun. 12, 1991**
- [52] U.S. Cl. **D13/156**
- [58] Field of Search **D13/154, 156; 174/59, 174/74 R, 73.1, 65 R, 169, 172; 439/447, 449, 474, 453, 675; 285/115; 385/53, 54, 55, 56, 75, 76, 86, 99, 134, 135**

[56] **References Cited**
U.S. PATENT DOCUMENTS

D. 206,662	1/1967	Karol	D13/156
D. 278,230	4/1985	Kominiak et al.	D13/156 X
D. 294,486	3/1988	Opitz	D13/156
2,696,518	12/1954	Roehmann et al.	174/74 R
4,110,550	8/1978	Di Pietro	174/73.1 X
4,145,566	3/1979	Weingartner	174/65 R
4,313,628	2/1982	Duenke	285/115
4,619,496	10/1986	Forney, Jr. et al.	439/685 X
4,731,501	3/1988	Clark et al.	174/59 X

FOREIGN PATENT DOCUMENTS

0138747	9/1950	Australia	174/59
005952	of 1907	United Kingdom	174/59
0995670	6/1965	United Kingdom	439/502

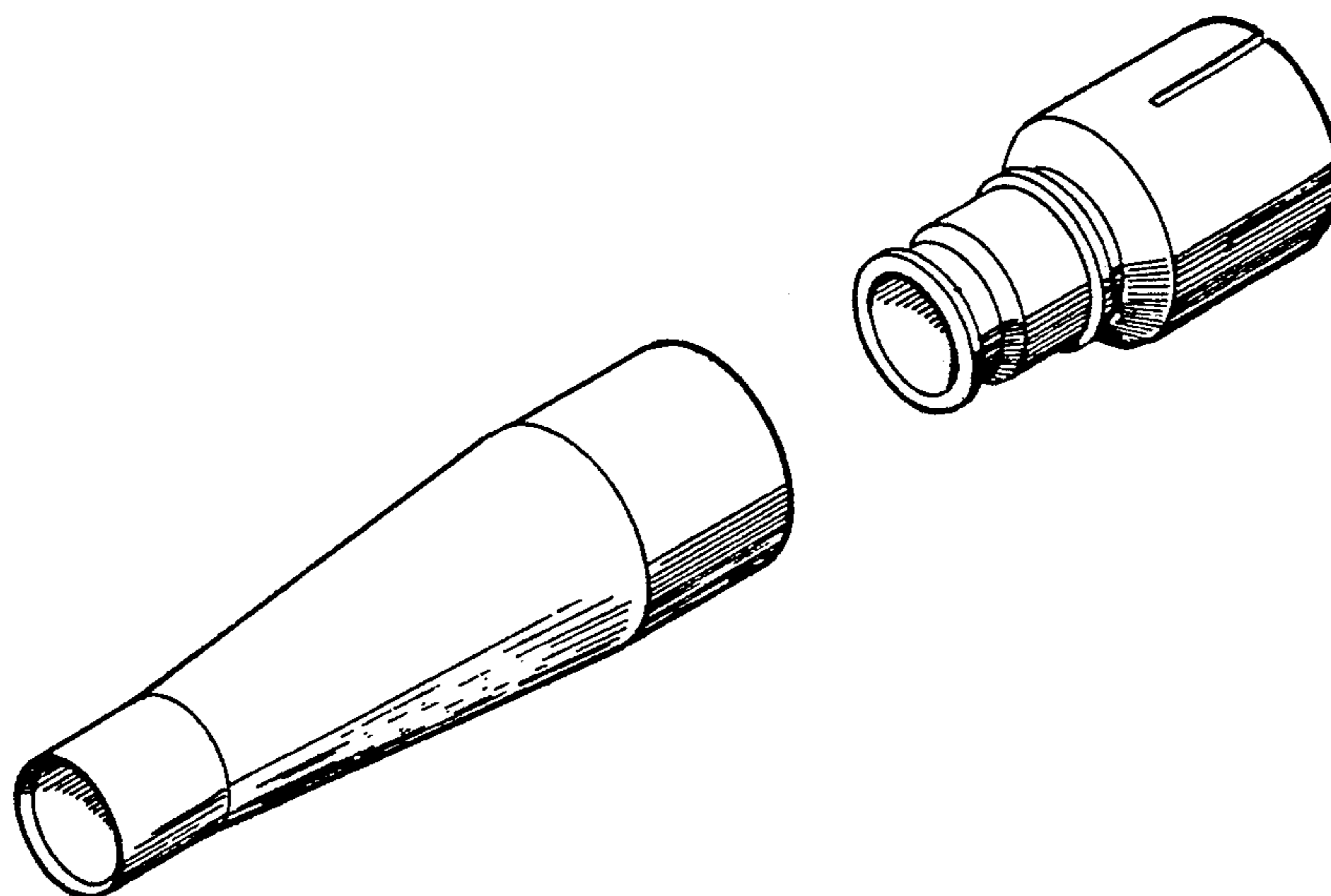
Primary Examiner—Wallace R. Burke
Assistant Examiner—Joel Sincavage
Attorney, Agent, or Firm—Richard E. Jenkins

[57] CLAIM

The ornamental design for an optical connector strain relief boot, as shown and described.

DESCRIPTION

FIG. 1 is an exploded front and upper right perspective view of an optical connector strain relief boot showing our new design with the two members separated; FIG. 2 is an exploded rear and upper left perspective view thereof; FIG. 3 is a front and upper right perspective view of an optical connector strain relief boot showing the design with the two members assembled; FIG. 4 is a rear and upper left perspective view thereof; FIG. 5 is a right side elevational view of an optical connector strain relief boot showing the design with the two members assembled on an enlarged scale, the left side elevational, top plan and bottom plan views having the same appearance; FIG. 6 is a rear elevational view thereof; and, FIG. 7 is a front elevational view thereof.



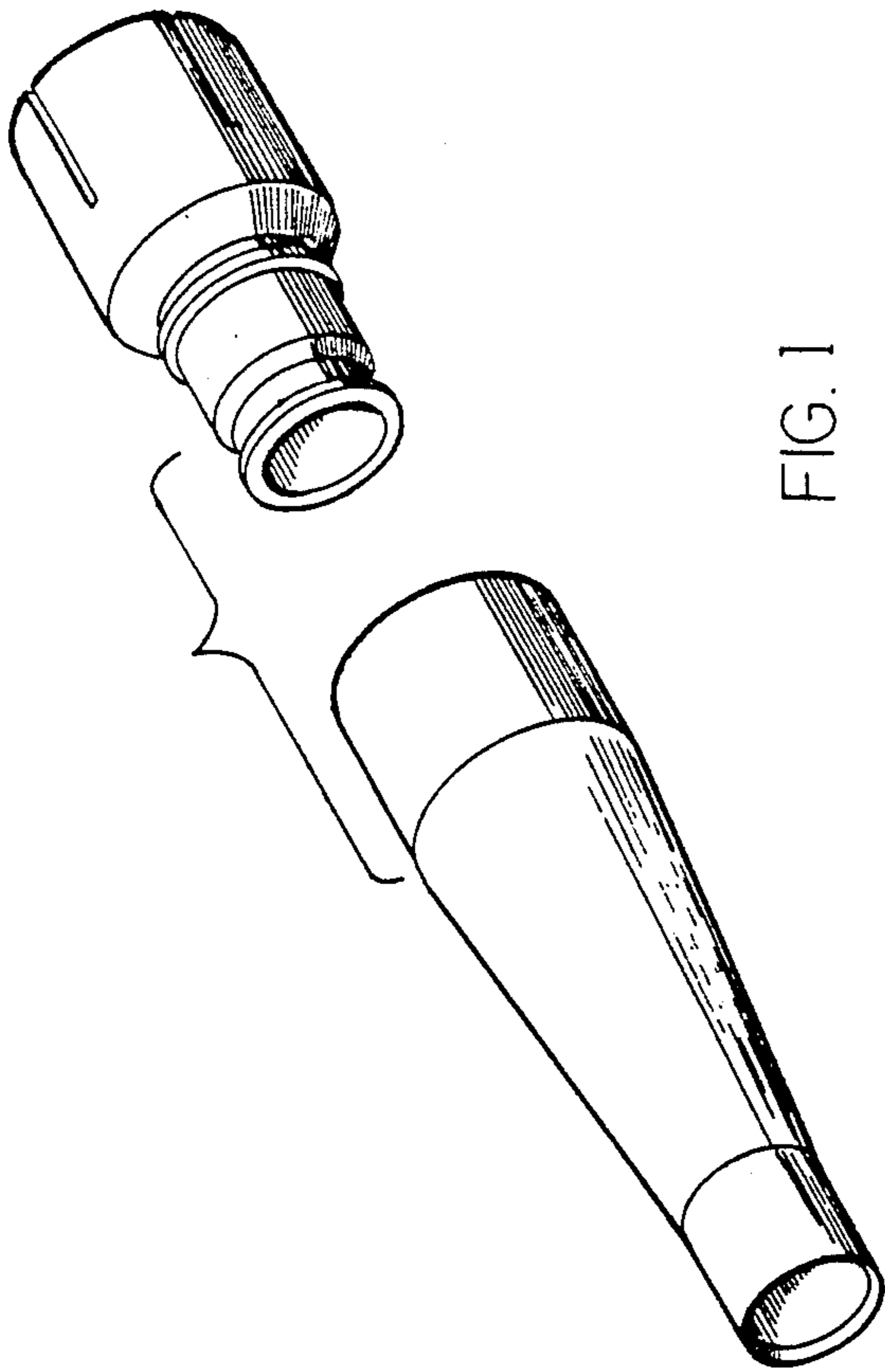


FIG. 1

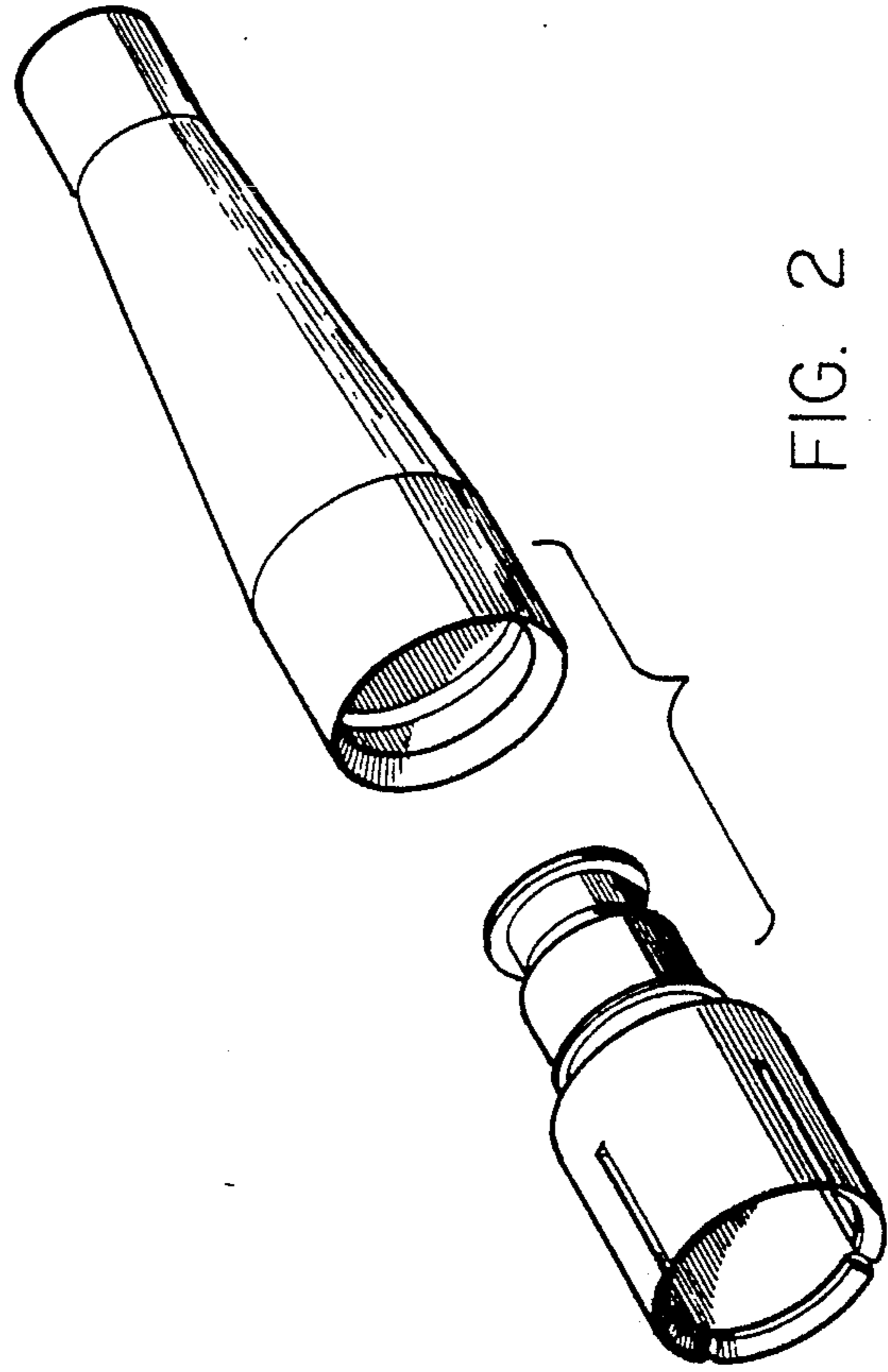


FIG. 2

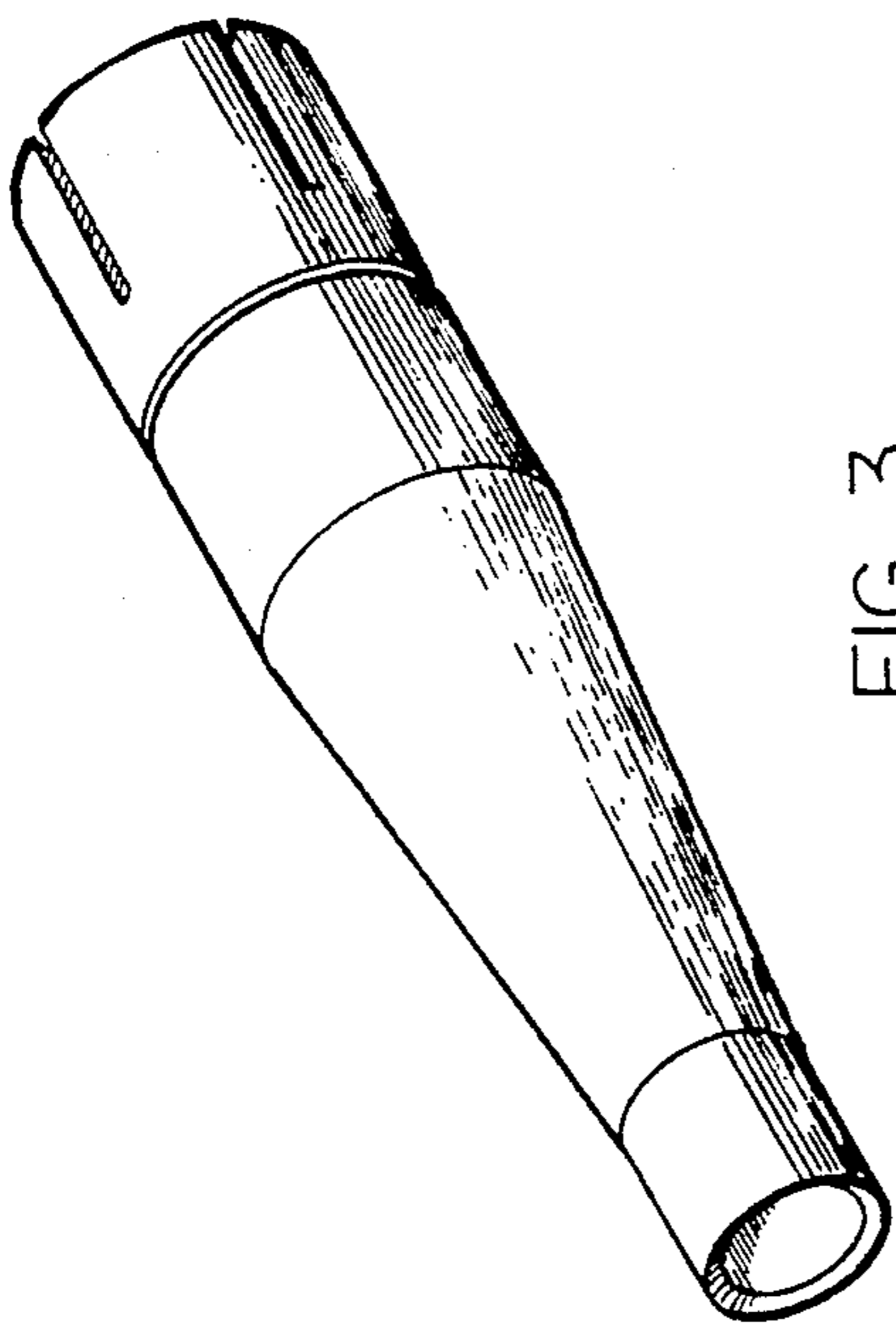


FIG. 3

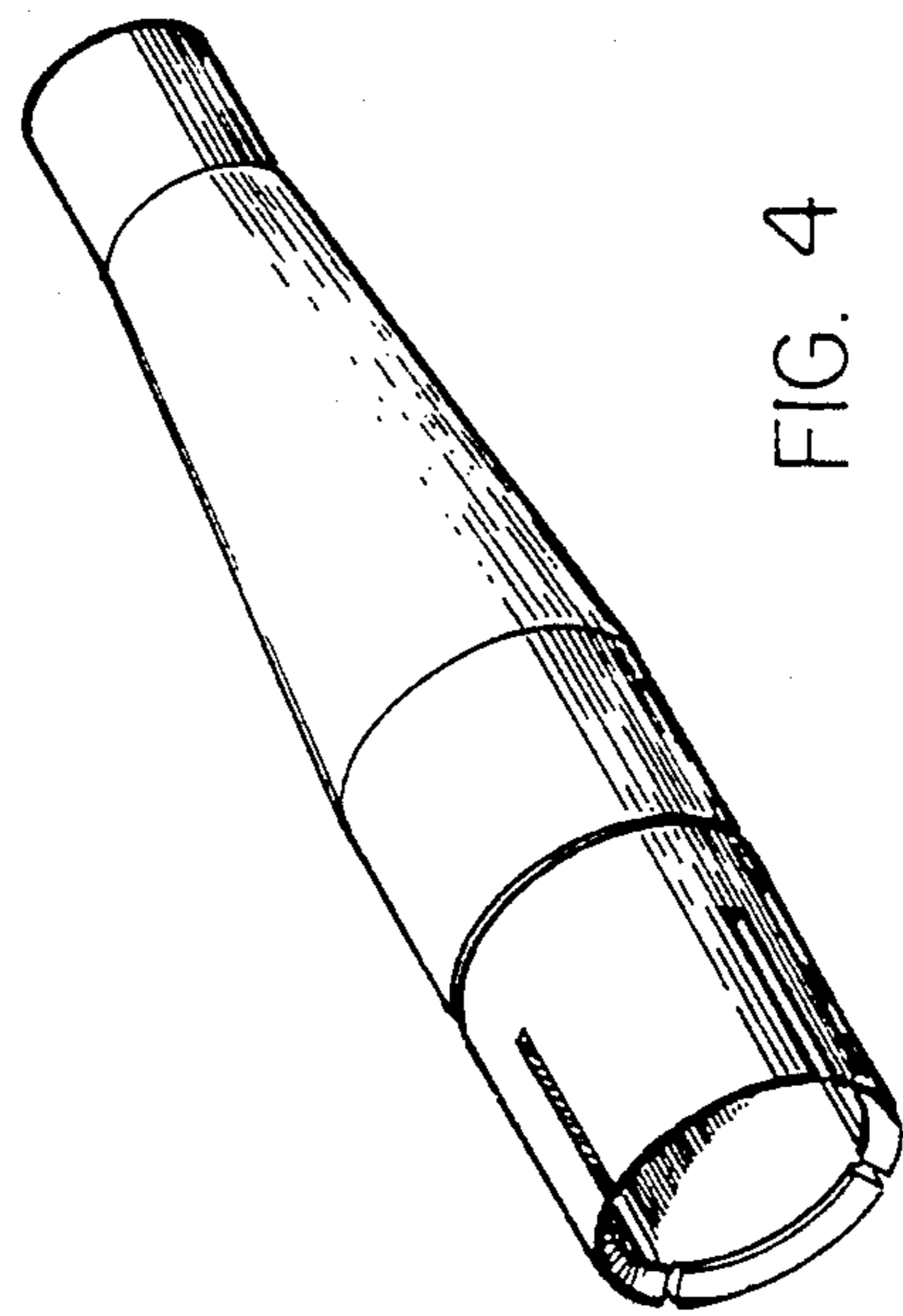


FIG. 4

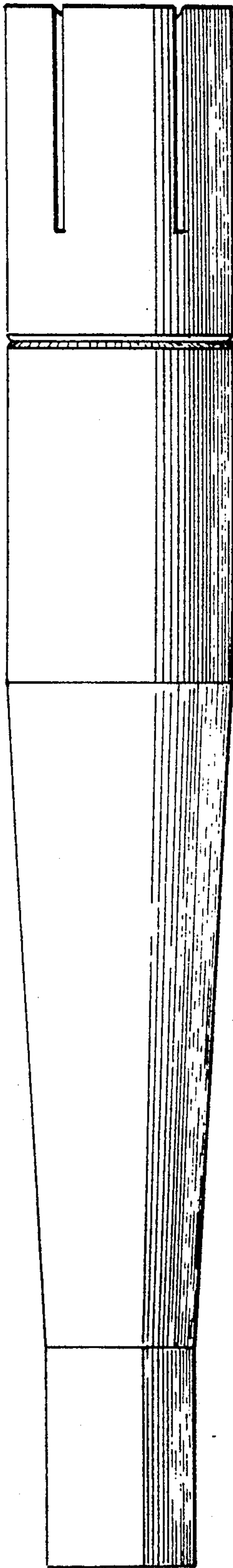


FIG. 5

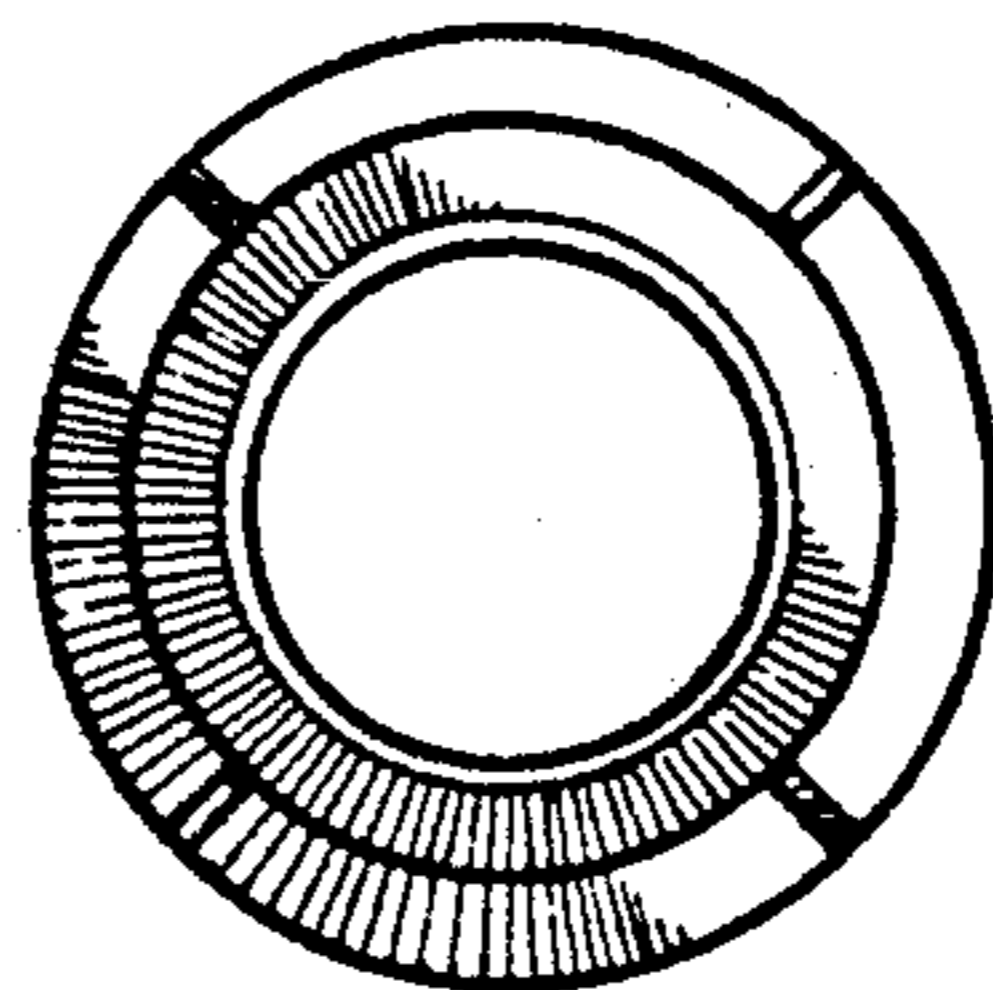


FIG. 6

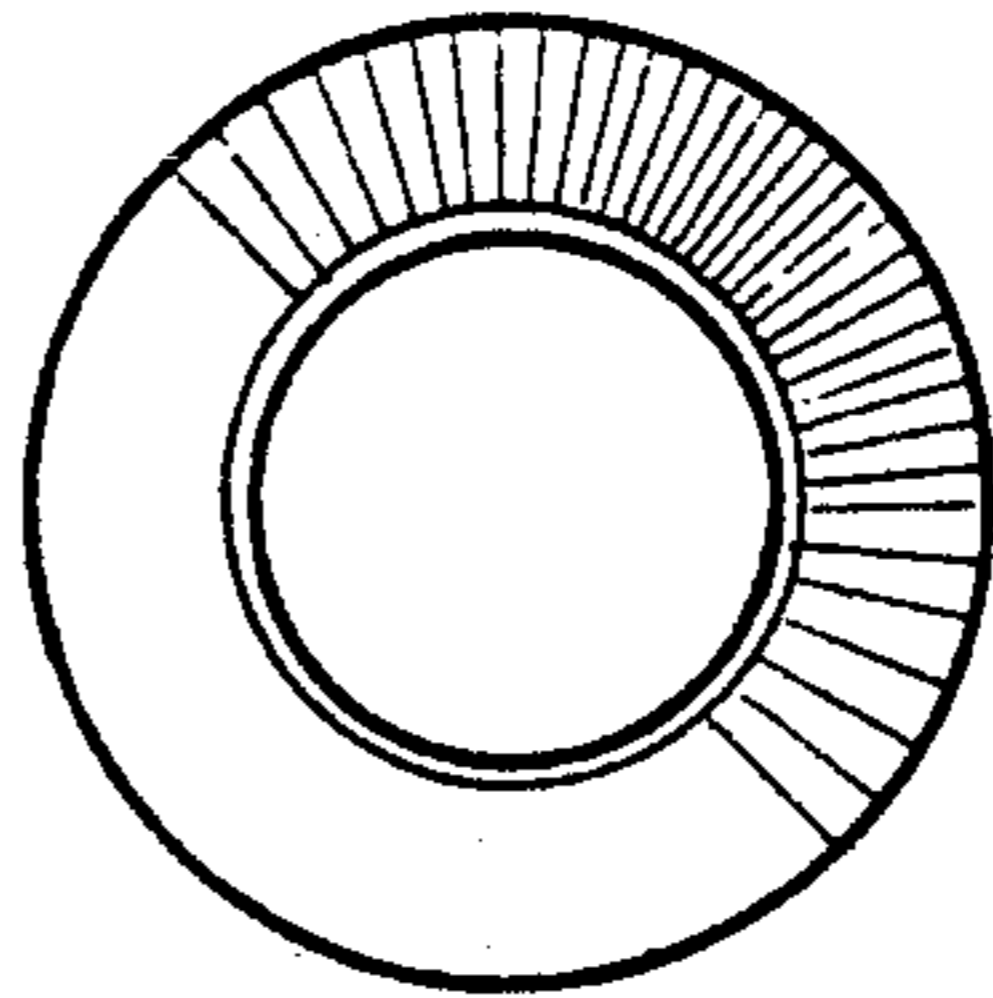


FIG. 7