



US00D331565S

United States Patent [19]

[11] Patent Number: **Des. 331,565**

Soon

[45] Date of Patent: **** Dec. 8, 1992**

[54] HELICOPTER

[75] Inventor: **Lai Soon, Taipei, Taiwan**

[73] Assignee: **Soon Cheng Toys Enterprise Co., Ltd., Taipei, Taiwan**

[**] Term: **14 Years**

[21] Appl. No.: **765,696**

[22] Filed: **Sep. 24, 1991**

[52] U.S. Cl. **D12/327; D12/326**

[58] Field of Search **D12/327, 326, 328, 329; 244/17.19, 17.11, 17.21**

[56] References Cited

U.S. PATENT DOCUMENTS

5,102,067 4/1992 Weiner et al. 244/17.19

OTHER PUBLICATIONS

Flight Int'l, Aug. 1982, p. 519, Hughes "AH-64A Apache".

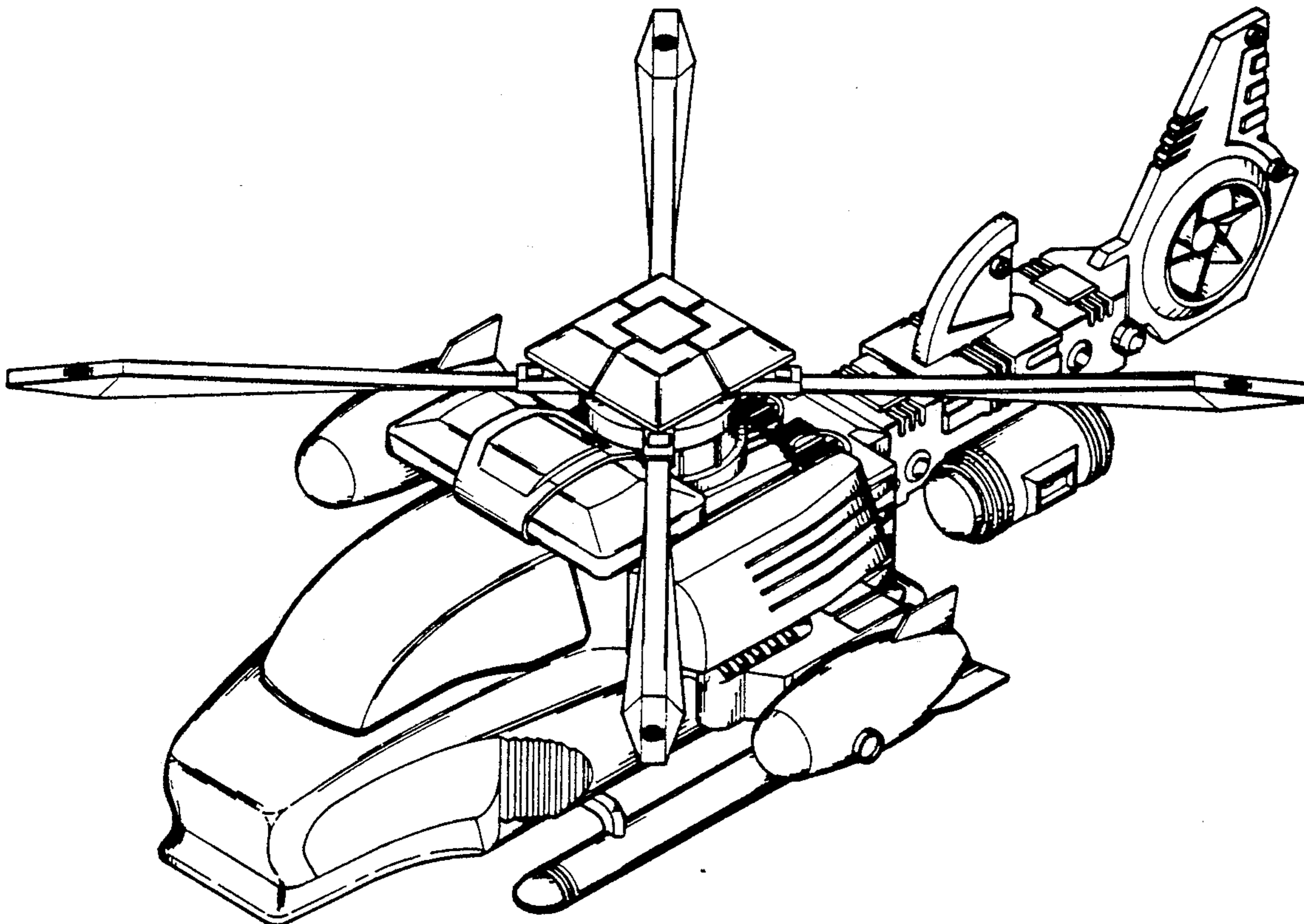
Primary Examiner—Kay H. Chin
Attorney, Agent, or Firm—Notaro & Michalos

[57] CLAIM

The ornamental design for a helicopter, as shown and described.

DESCRIPTION

FIG. 1 is a top and front perspective view of a helicopter showing my new design;
FIG. 2 is a front elevational view thereof;
FIG. 3 is a rear elevational view thereof;
FIG. 4 is a side elevational view thereof, the opposite side elevational view being a mirror image of the shown;
FIG. 5 is a top plan view thereof; and,
FIG. 6 is bottom plan view thereof.



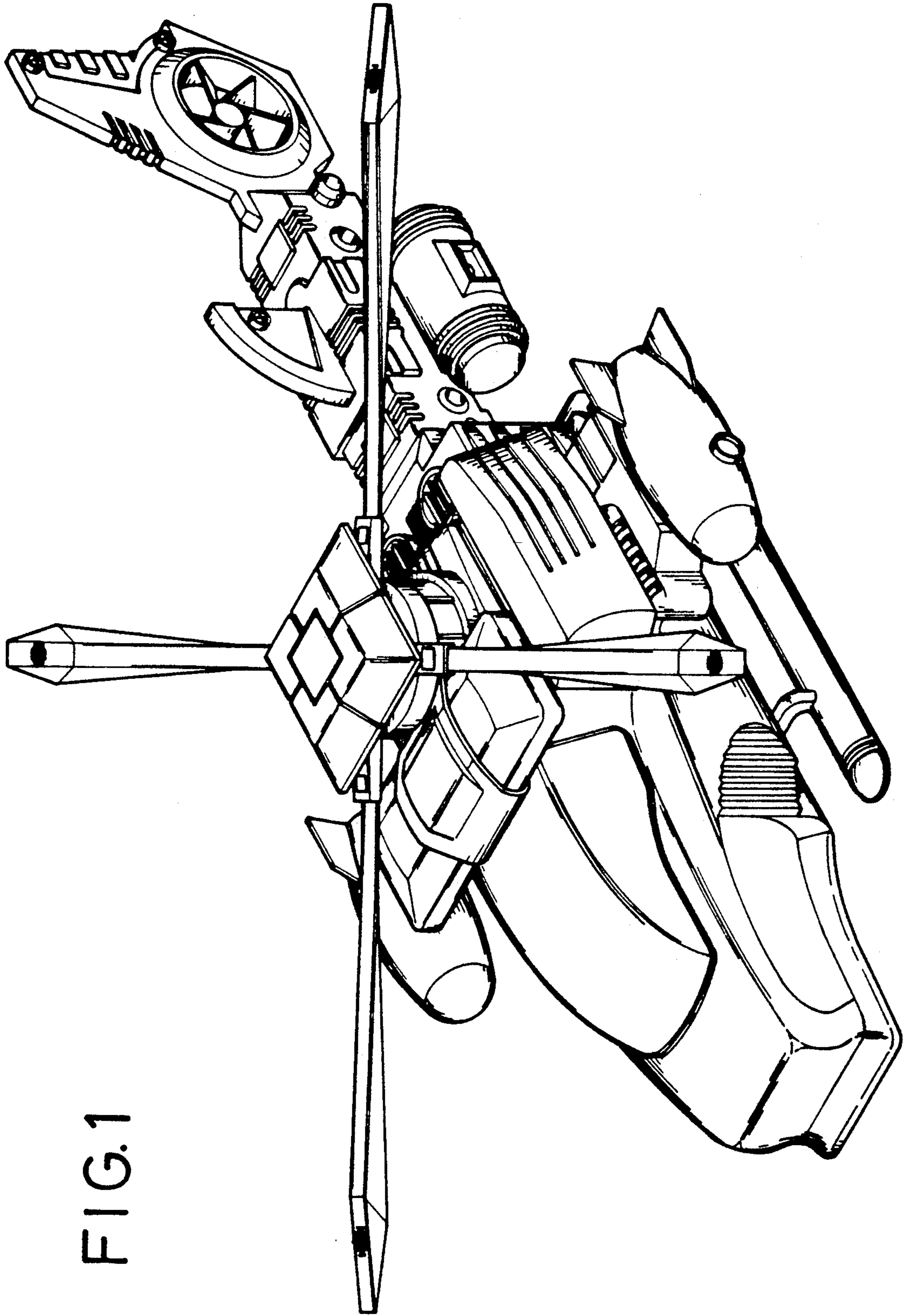


FIG. 1

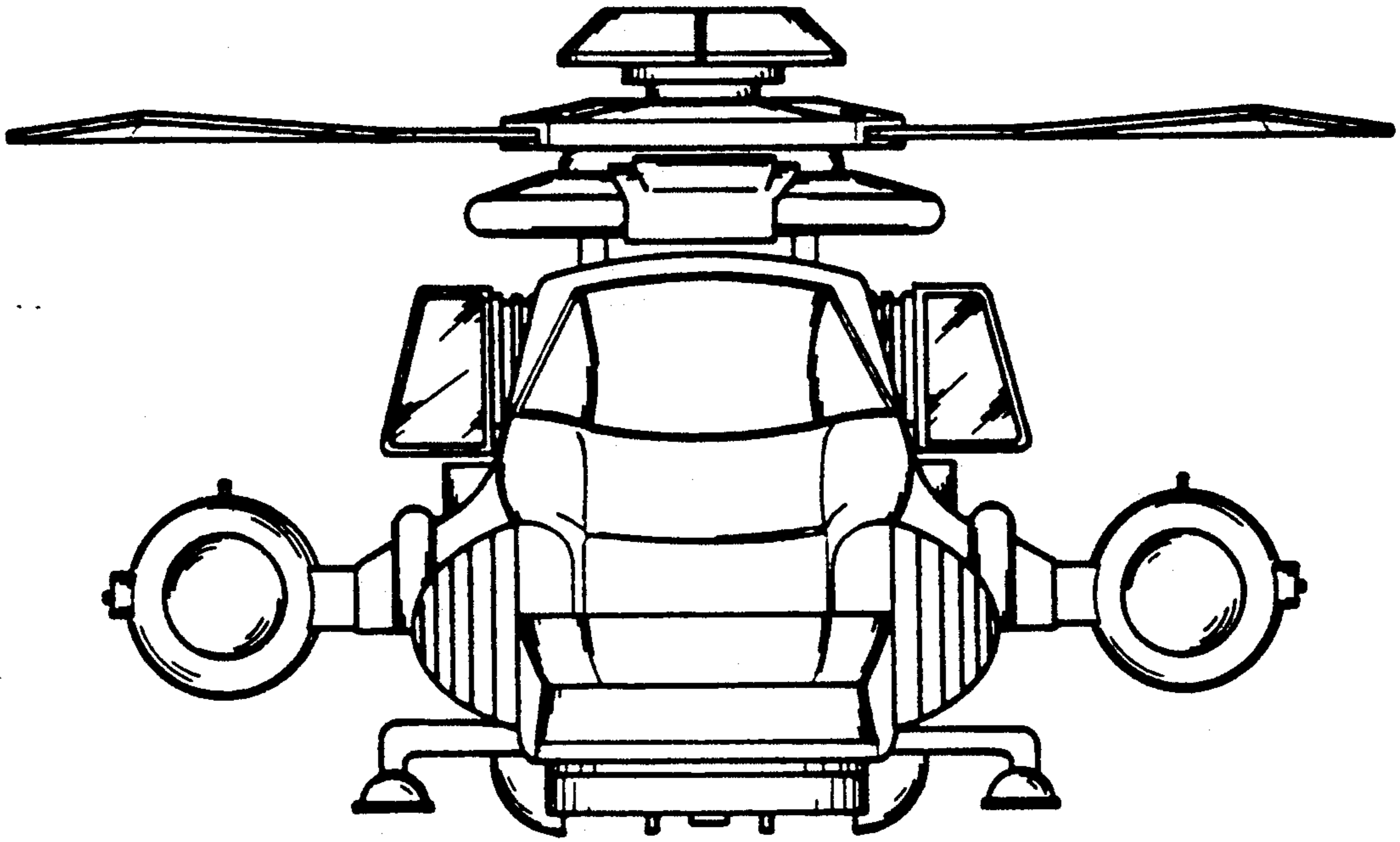


FIG. 2

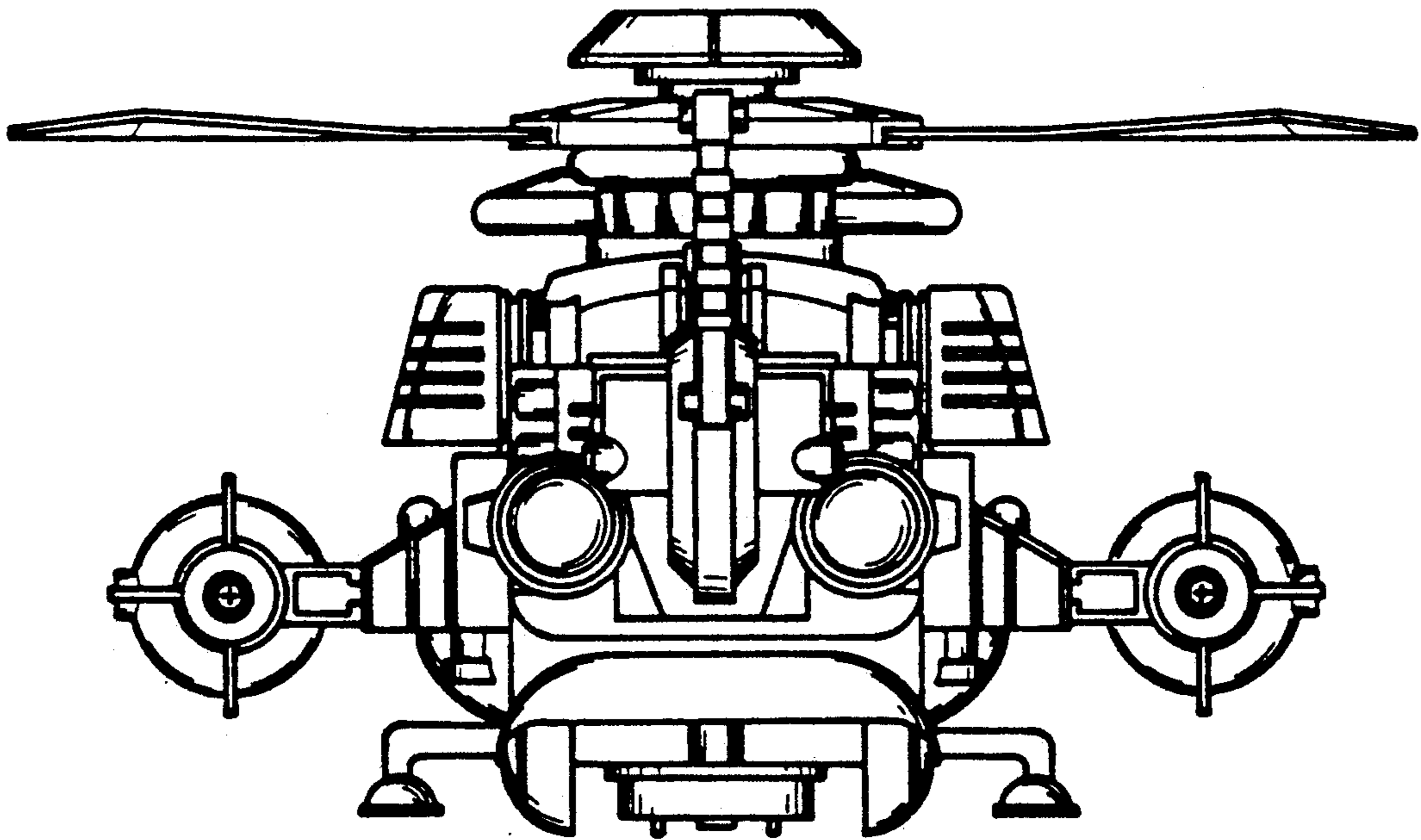


FIG. 3

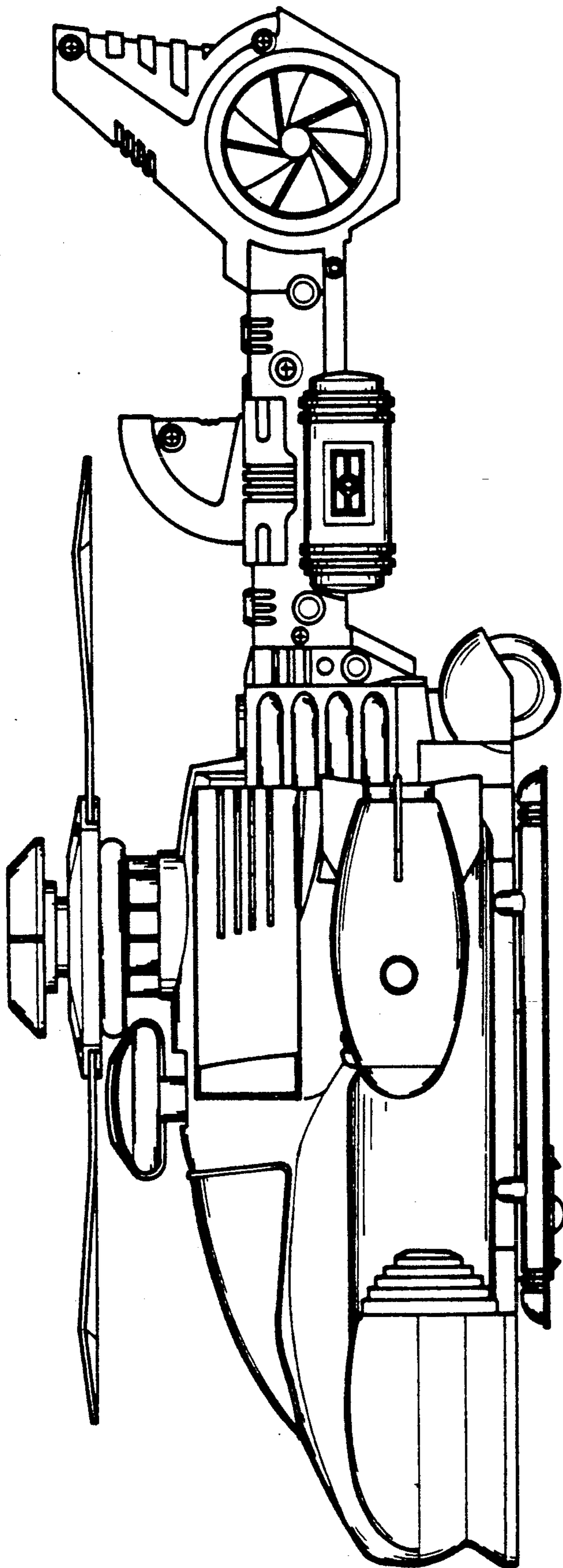


FIG. 4

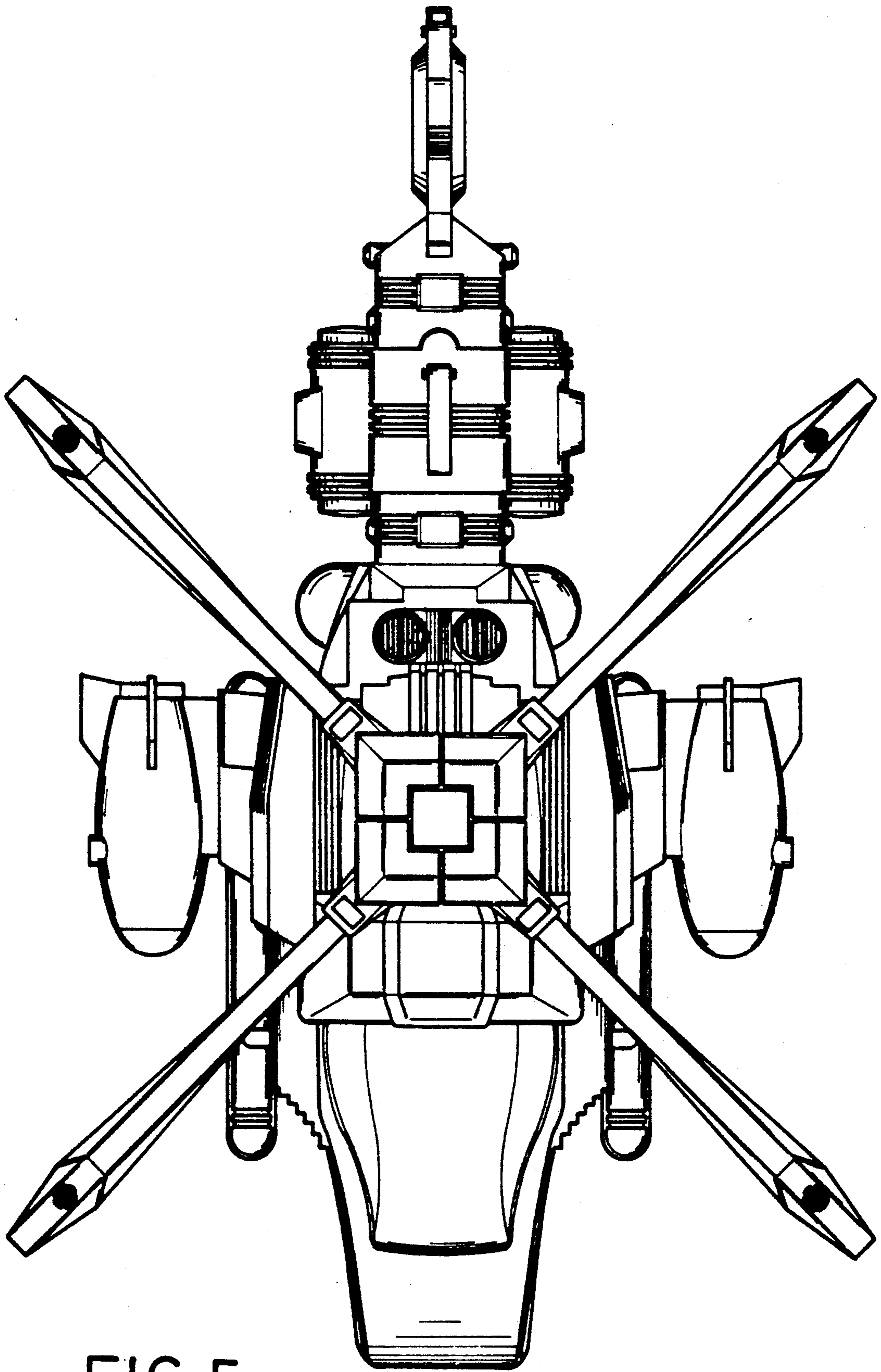


FIG. 5

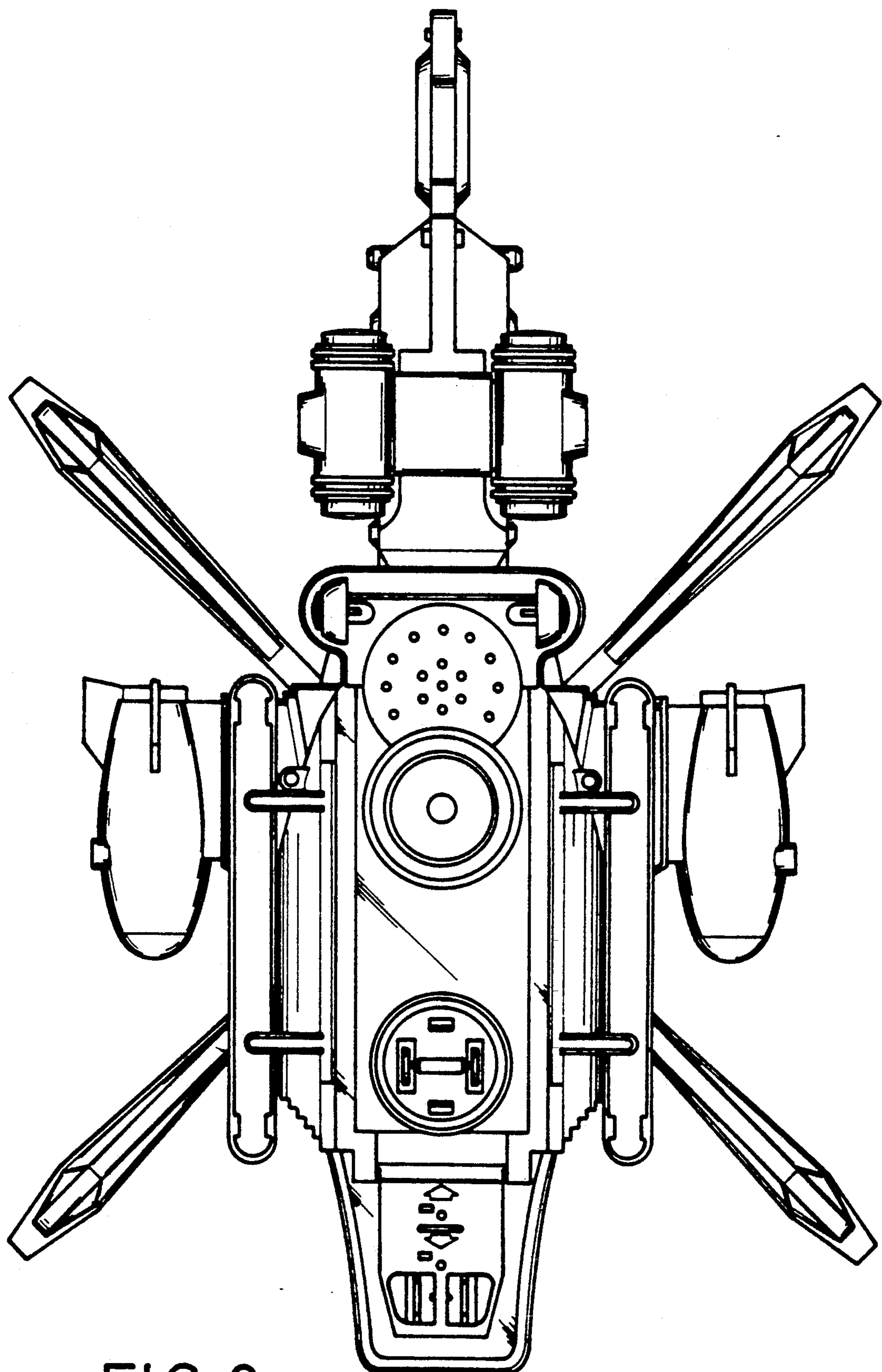


FIG. 6