



US00D331564S

# United States Patent [19] Scarboro

[11] Patent Number: **Des. 331,564**

[45] Date of Patent: **\*\* Dec. 8, 1992**

[54] DECK BOAT

[75] Inventor: **Clark T. Scarboro**, Lake Stevens, Wash.

[73] Assignee: **Bayliner Marine Corporation**, Everett, Wash.

[\*\*] Term: **14 Years**

[21] Appl. No.: **706,112**

[22] Filed: **May 24, 1991**

[52] U.S. Cl. .... **D12/318; D12/304**

[58] Field of Search ..... **D12/300, 304, 318, 316; 114/61, 288-292, 363, 364**

D. 284,183	6/1986	Hegg et al. ....	D12/314
D. 288,087	2/1987	Hegg et al. ....	D12/315
D. 290,948	7/1987	Hledin .....	D12/310
D. 294,343	2/1988	Scarboro .....	D12/314
D. 301,711	6/1989	Allbritton .....	D12/314
D. 315,138	3/1991	Simpkins, Sr. et al. ....	D12/304
2,126,304	8/1938	Apel et al. ....	114/66.5
2,666,406	1/1954	Babcock .....	114/61
4,883,016	11/1989	Larson .....	D12/318
5,016,558	5/1991	Oehler .....	D12/318

### OTHER PUBLICATIONS

Trailer Boat, Jun. 1987, p. 65, pontoon boat.

*Primary Examiner*—Kay H. Chin

*Attorney, Agent, or Firm*—Seed and Berry

### [56] References Cited

#### U.S. PATENT DOCUMENTS

D. 181,709	12/1957	Davidson .....	D12/310
D. 182,874	5/1958	Bradley .....	D12/311
D. 197,363	1/1964	Stevens .....	D12/314
D. 220,661	5/1971	Line .....	D12/314
D. 221,485	8/1971	Hutcheson et al. ....	D12/314
D. 227,708	7/1973	Baker et al. ....	D12/314
D. 245,902	9/1977	Rogers .....	D12/310
D. 245,974	10/1977	Vasilatos et al. ....	D12/310
D. 252,507	7/1979	Wood .....	D12/311
D. 262,009	11/1981	Bednar .....	D12/300
D. 264,573	5/1982	Rogers .....	D12/310
D. 267,866	2/1983	Parsons .....	D12/311

### [57] CLAIM

The ornamental design for a deck boat, as shown and described.

### DESCRIPTION

FIG. 1 is a perspective view of a deck boat showing our new design;

FIG. 2 is a right side elevational view thereof;

FIG. 3 is a left side elevational view thereof;

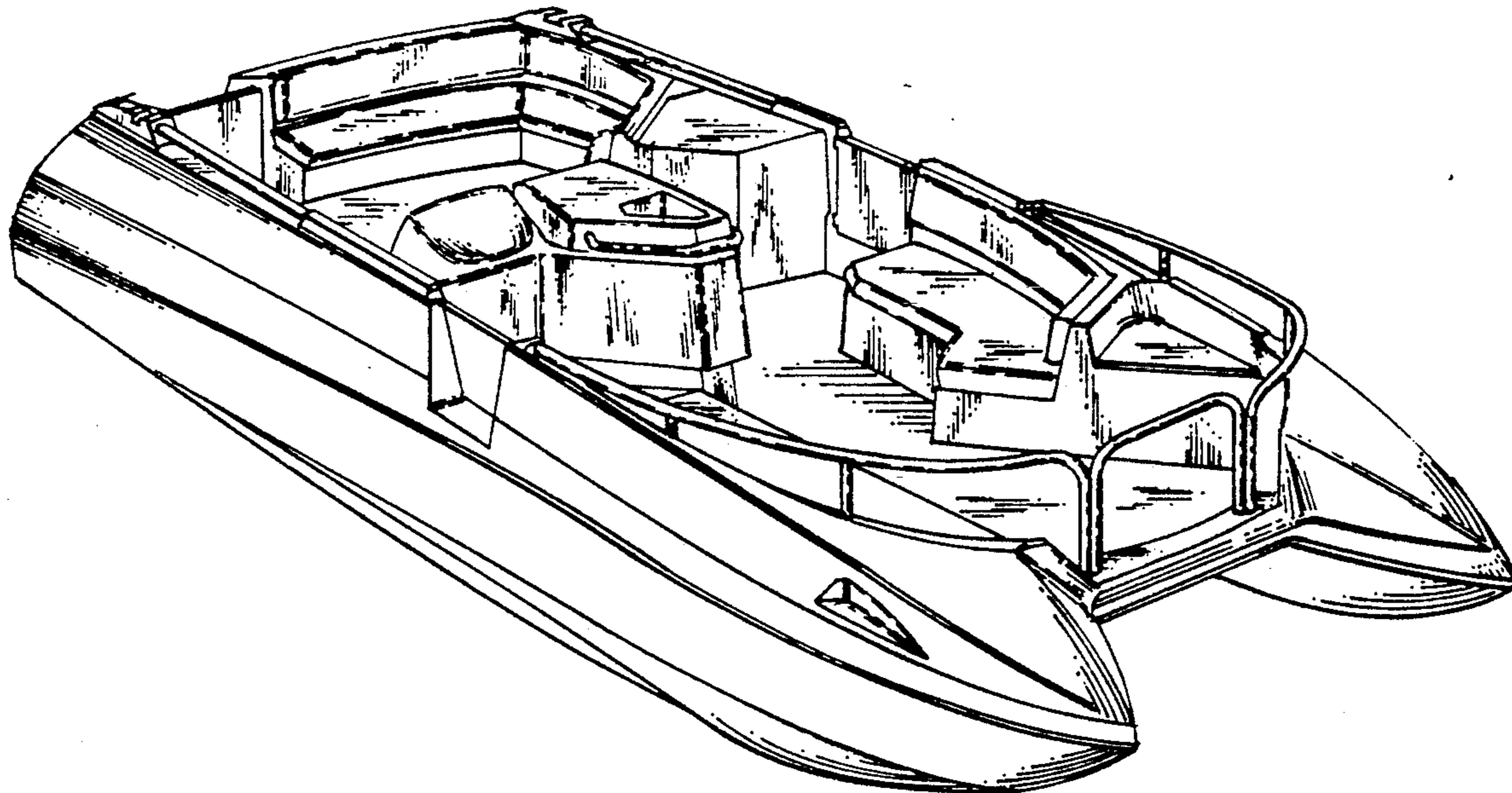
FIG. 4 is a top plan view thereof;

FIG. 5 is a bottom plan view thereof;

FIG. 6 is a front perspective view thereof;

FIG. 7 is a rear elevational view thereof; and,

FIG. 8 is a front elevational view thereof.



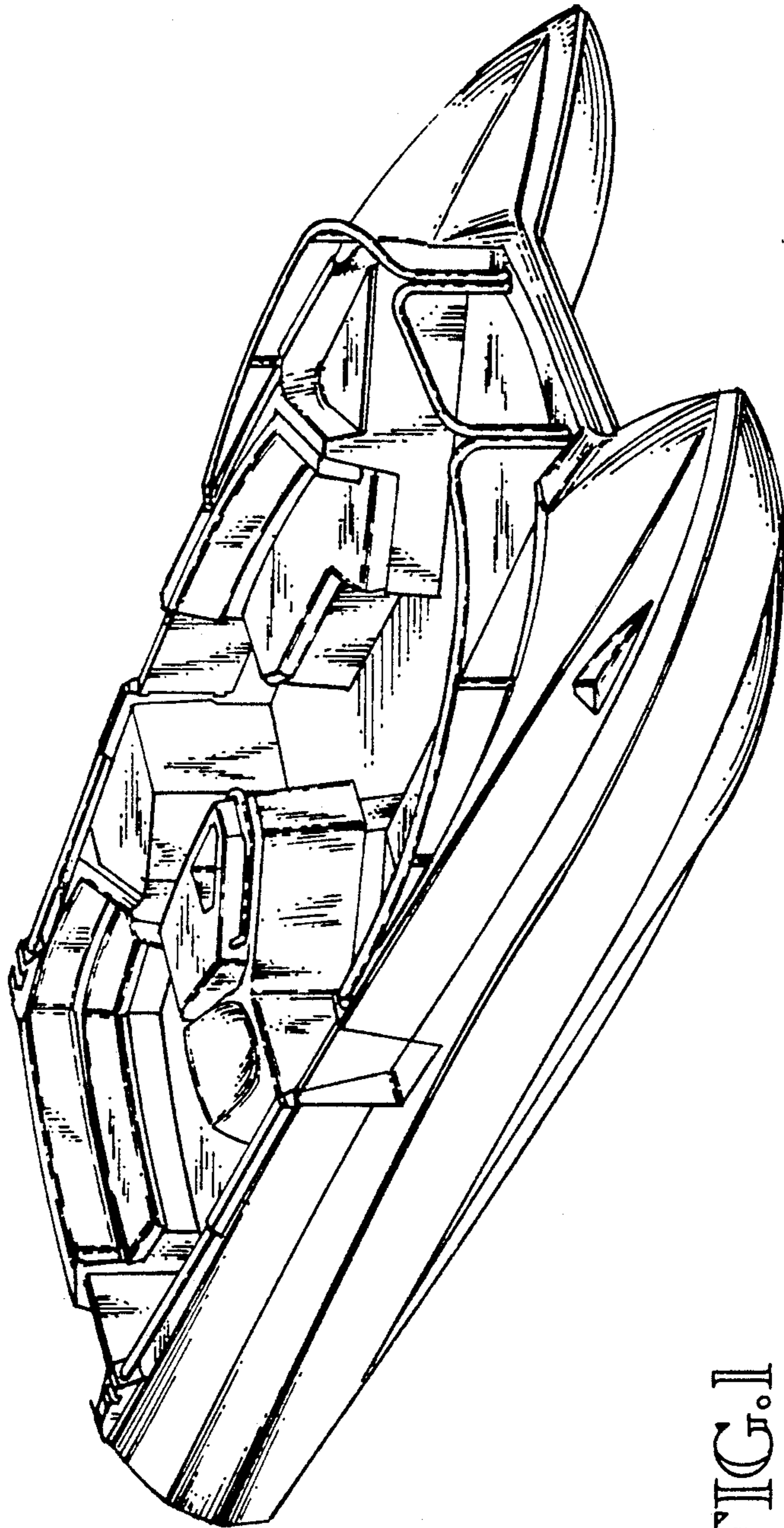


FIG. 1

FIG. 2

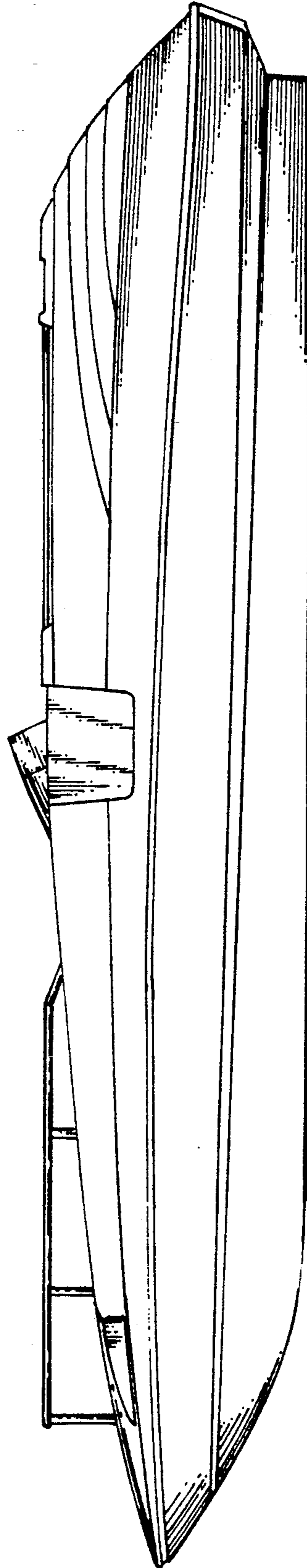
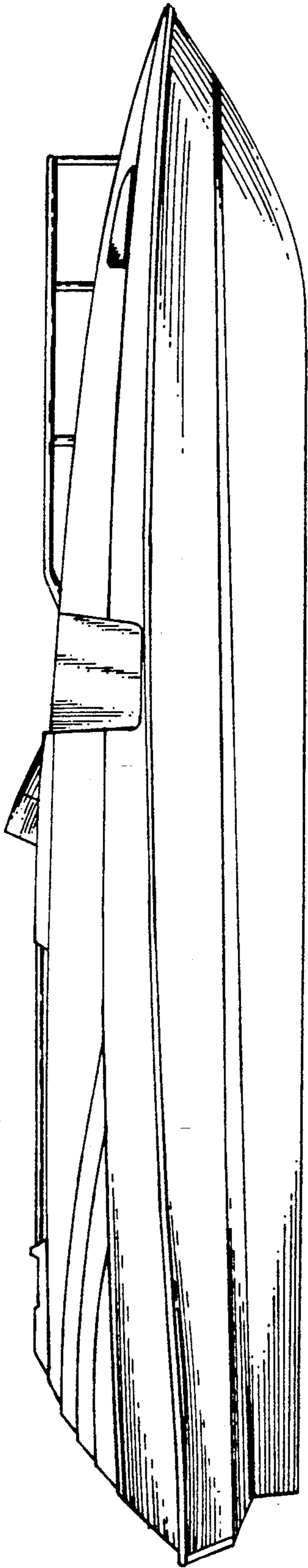


FIG. 3

FIG. 4

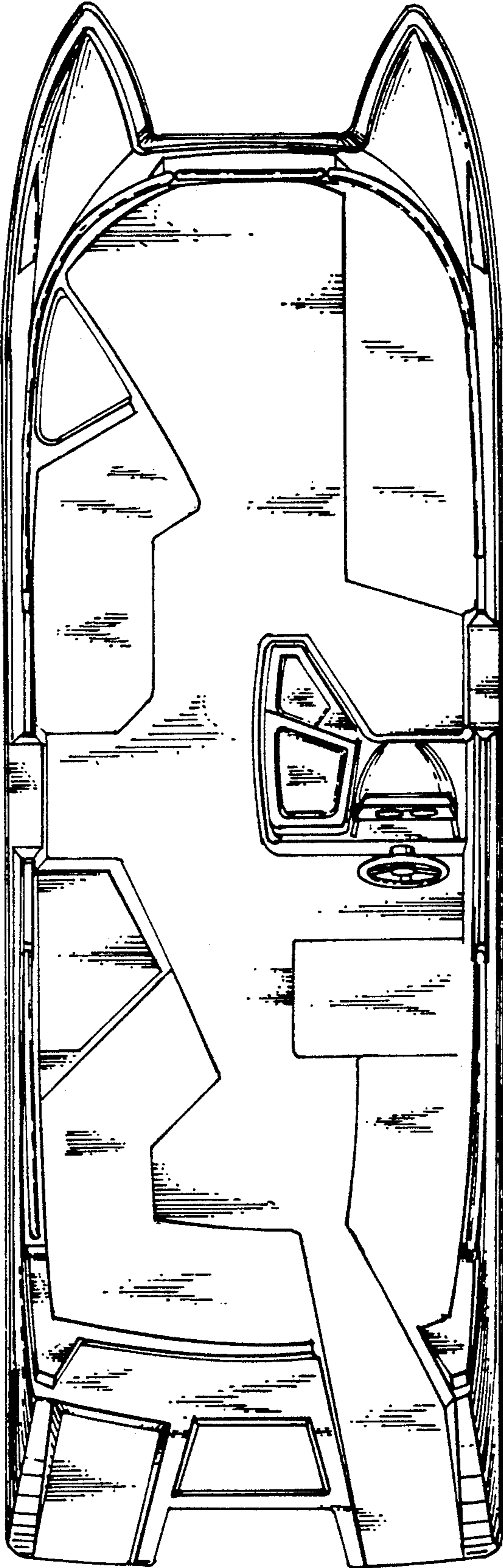


FIG. 5

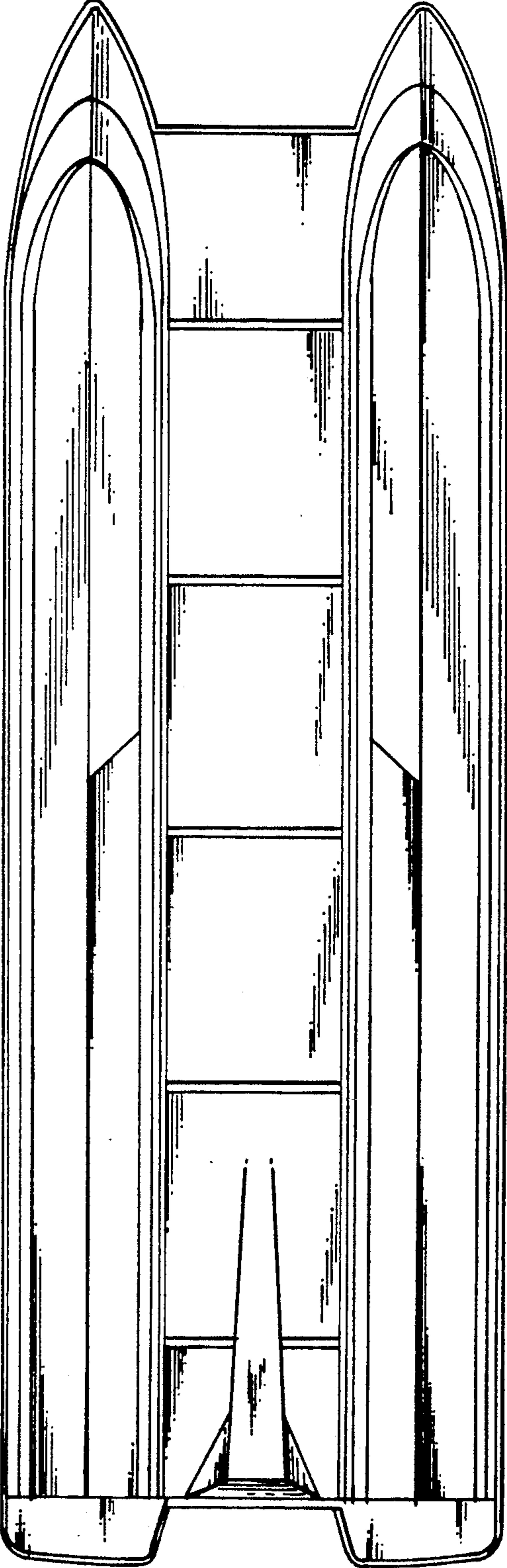


FIG. 6

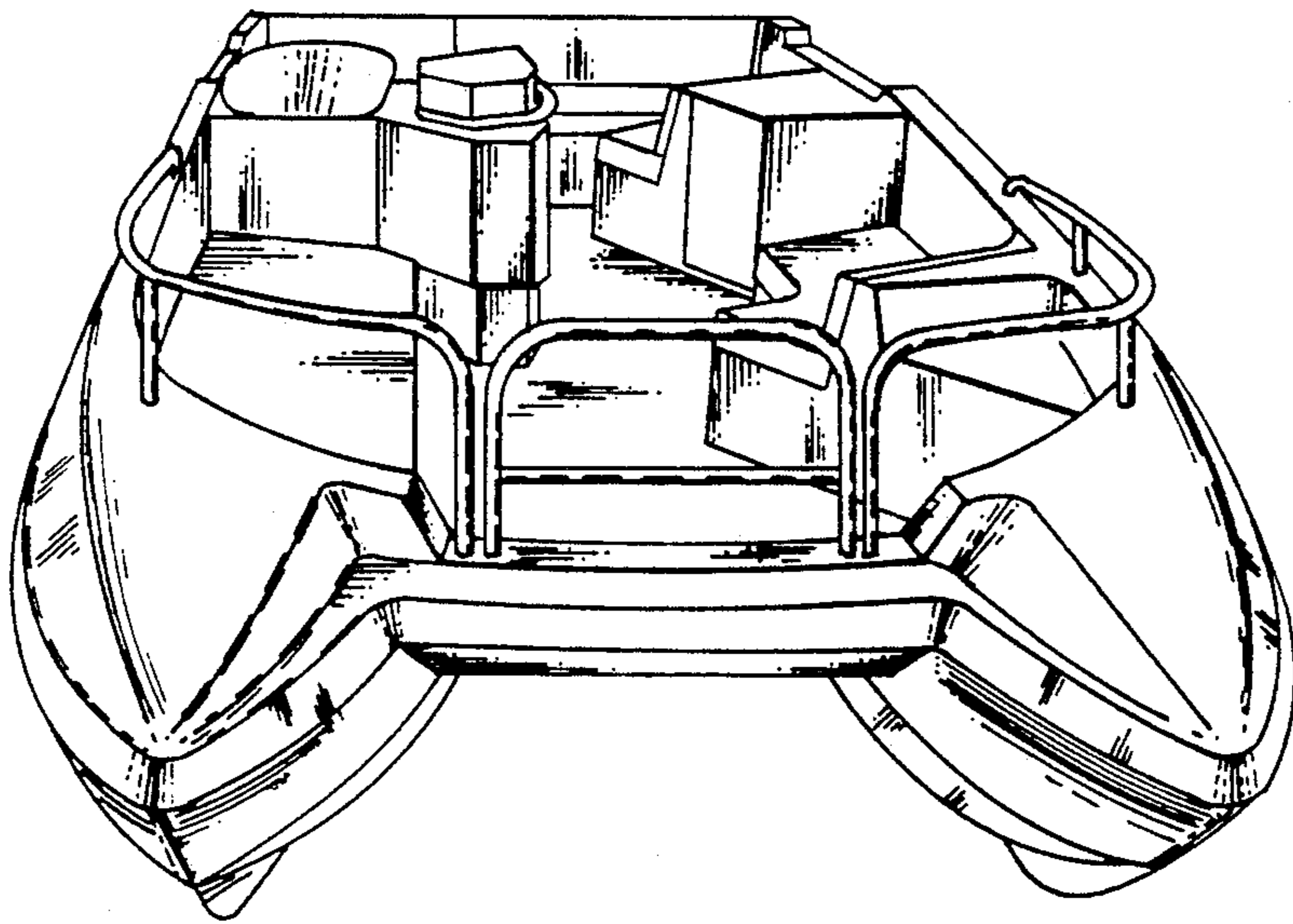
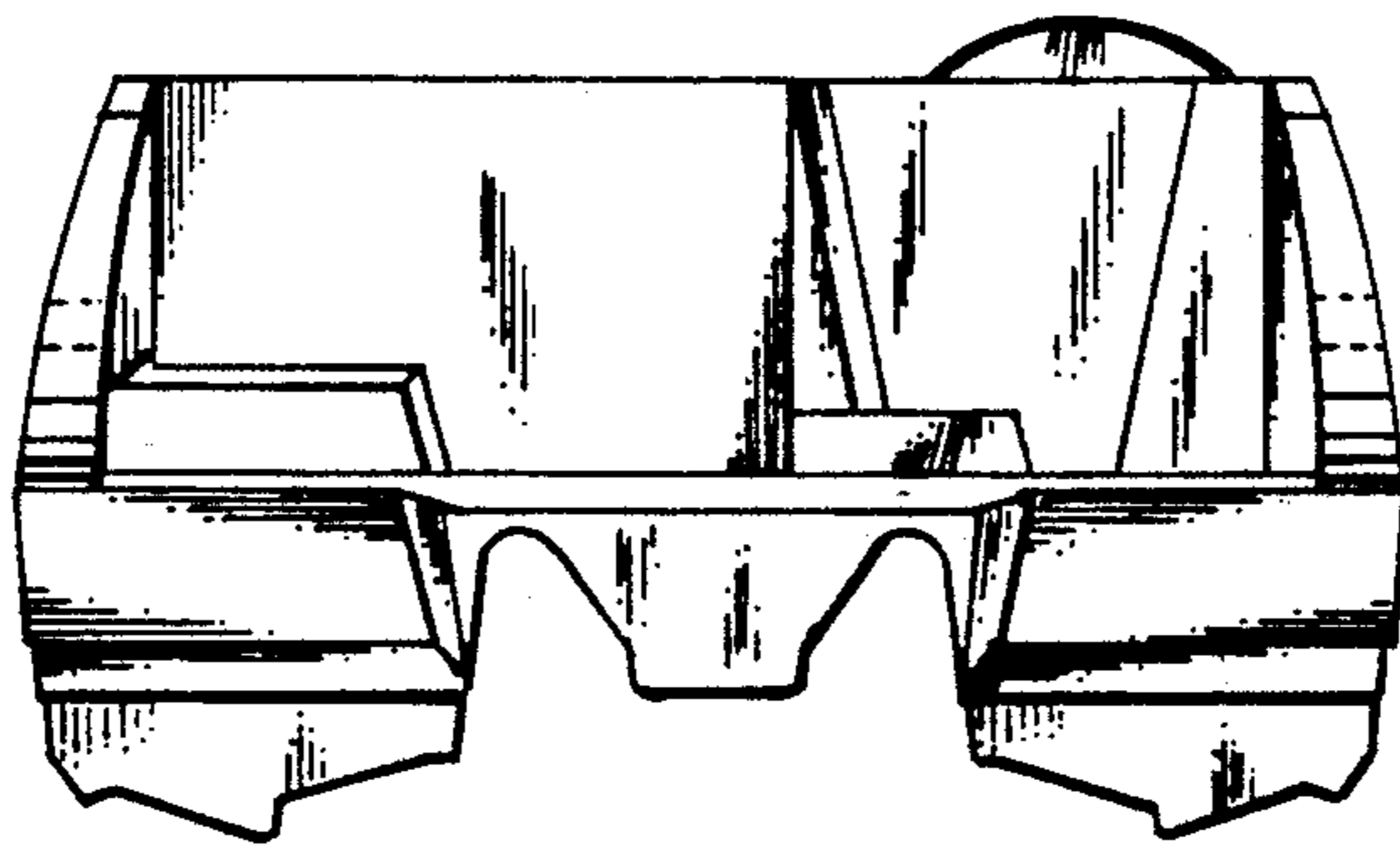


FIG. 7



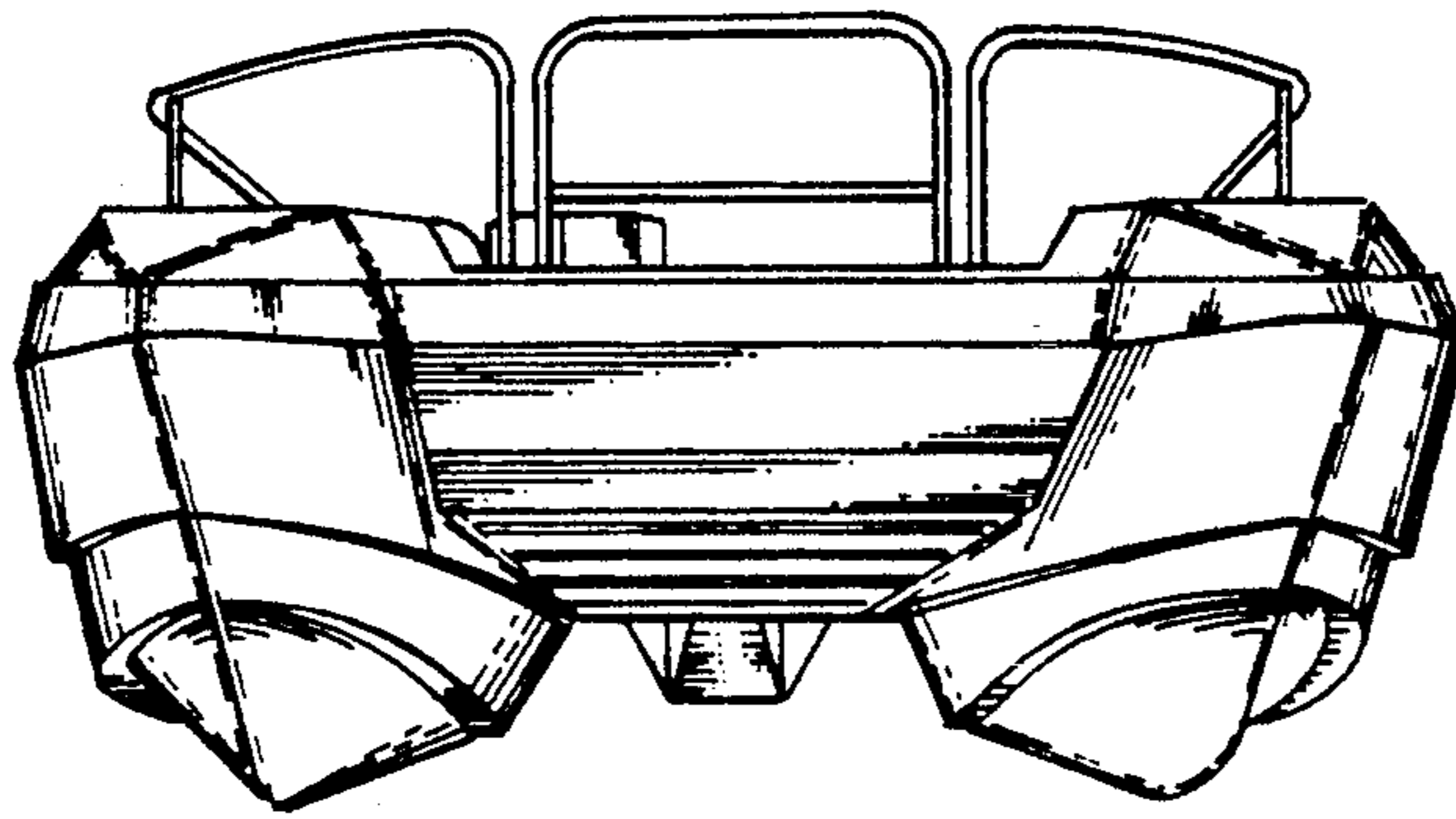


FIG. 8