



US00D331563S

# United States Patent [19] Drake

[11] Patent Number: **Des. 331,563**

[45] Date of Patent: **\*\* Dec. 8, 1992**

[54] **PADDLE WHEEL**

[76] Inventor: **Joel S. Drake, 5723 Lake St., Glen Arbor, Mich. 49636**

[\*\*] Term: **14 Years**

[21] Appl. No.: **691,092**

[22] Filed: **Apr. 25, 1991**

4,241,688 12/1980 Mansolill et al. .... 440/90  
4,473,358 9/1984 Viosca, Jr. .... 440/90

### OTHER PUBLICATIONS

"Young Sailors Operate Hand Cranks to Turn Paddles on Boat", Jun. 1954, p. 116, Popular Mechanics.

*Primary Examiner*—Kay H. Chin  
*Attorney, Agent, or Firm*—Varnum, Riddering, Schmidt & Howlett

### Related U.S. Application Data

[63] Continuation-in-part of Ser. No. 443,643, Nov. 29, 1989, Pat. No. Des. 317,286.

[52] U.S. Cl. .... **D12/317; D12/306**

[58] Field of Search ..... **D12/306, 317; 440/90, 440/31; 114/58; 416/111, 108, 197 B, 197 A**

### [57] CLAIM

The ornamental design for a paddle wheel, as shown and described.

### References Cited

#### U.S. PATENT DOCUMENTS

D. 192,714	5/1962	Thomas et al. ....	D12/306
D. 230,349	2/1974	Kyryluk et al. ....	D12/306
D. 317,286	6/1991	Drake .....	D12/306
1,024,419	4/1912	Resch .....	440/31
1,691,396	10/1927	Lindstrom .....	114/283
3,006,310	10/1961	Penland et al. ....	440/26
3,045,636	7/1962	Thomas et al. ....	440/26
4,171,675	10/1979	Thompson .....	440/90

### DESCRIPTION

FIG. 1 is a front perspective view of a paddle wheel showing my new design;

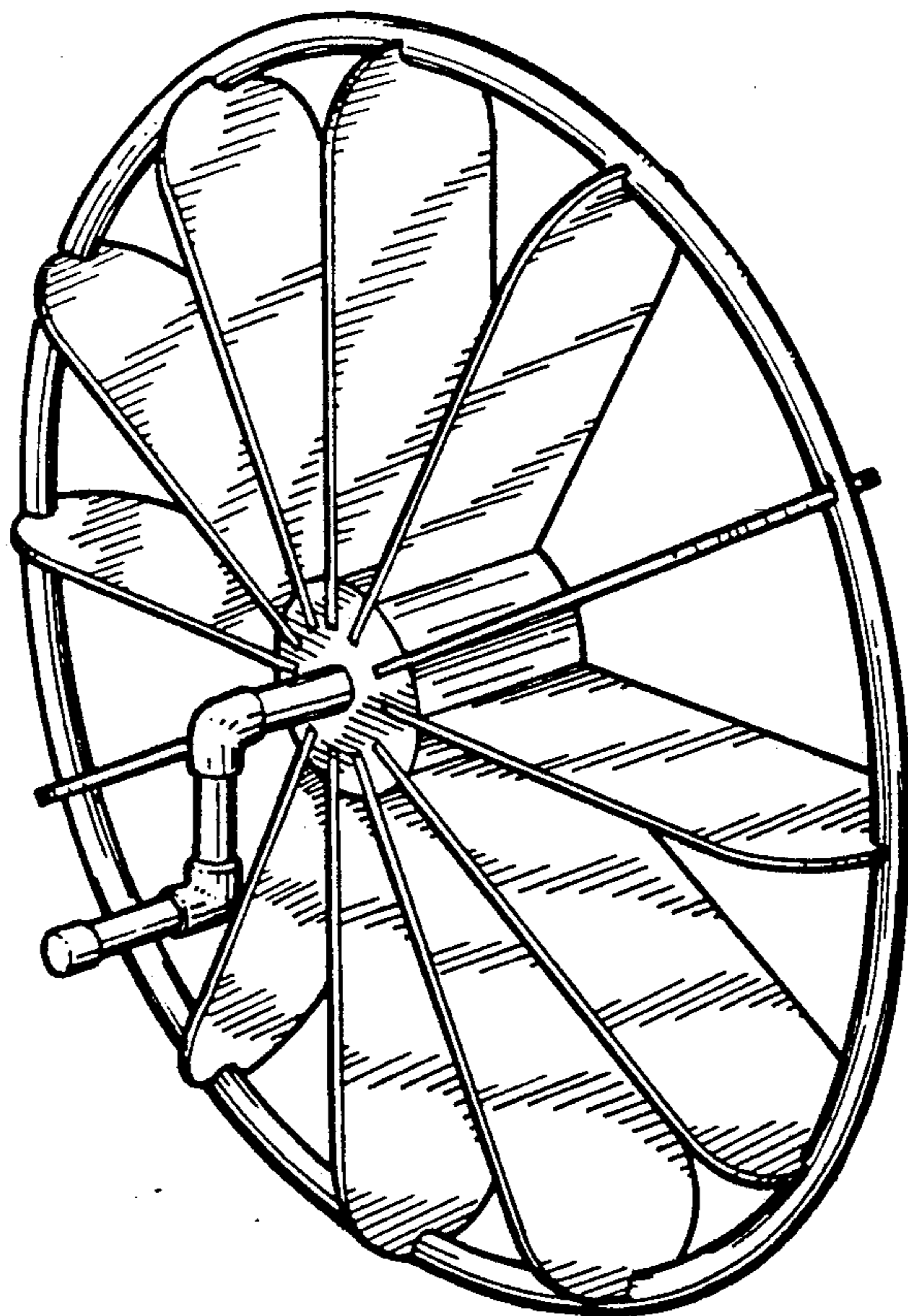
FIG. 2 is a rear elevational view thereof;

FIG. 3 is a side elevational view thereof, the opposite side elevational view being a mirror image of that shown;

FIG. 4 is a front elevational view thereof;

FIG. 5 is a rear perspective view of a second embodiment of the paddle wheel; and,

FIG. 6 is a side elevational view of FIG. 5, the opposite side elevational view being a mirror image of that shown.



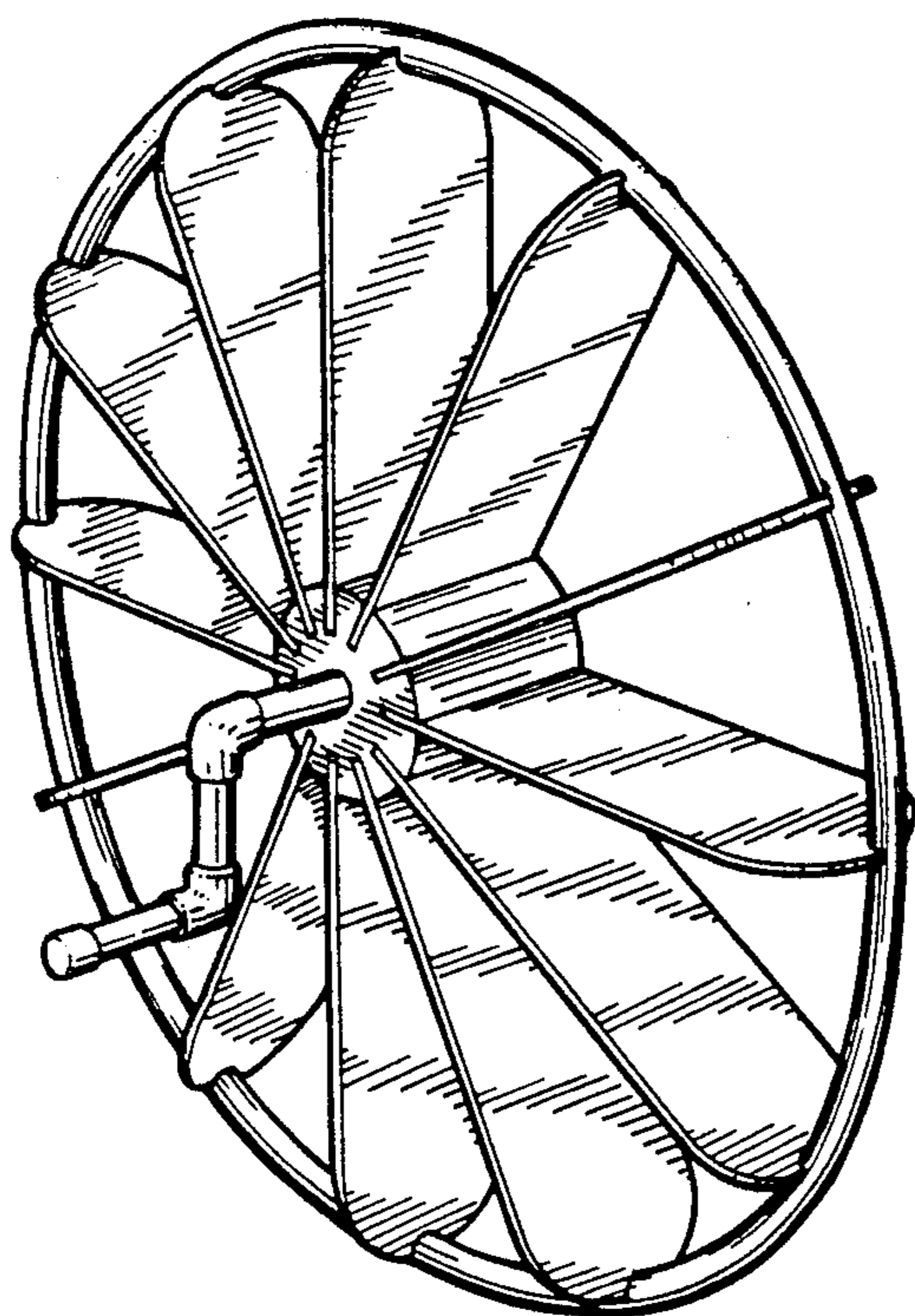


FIG. 1

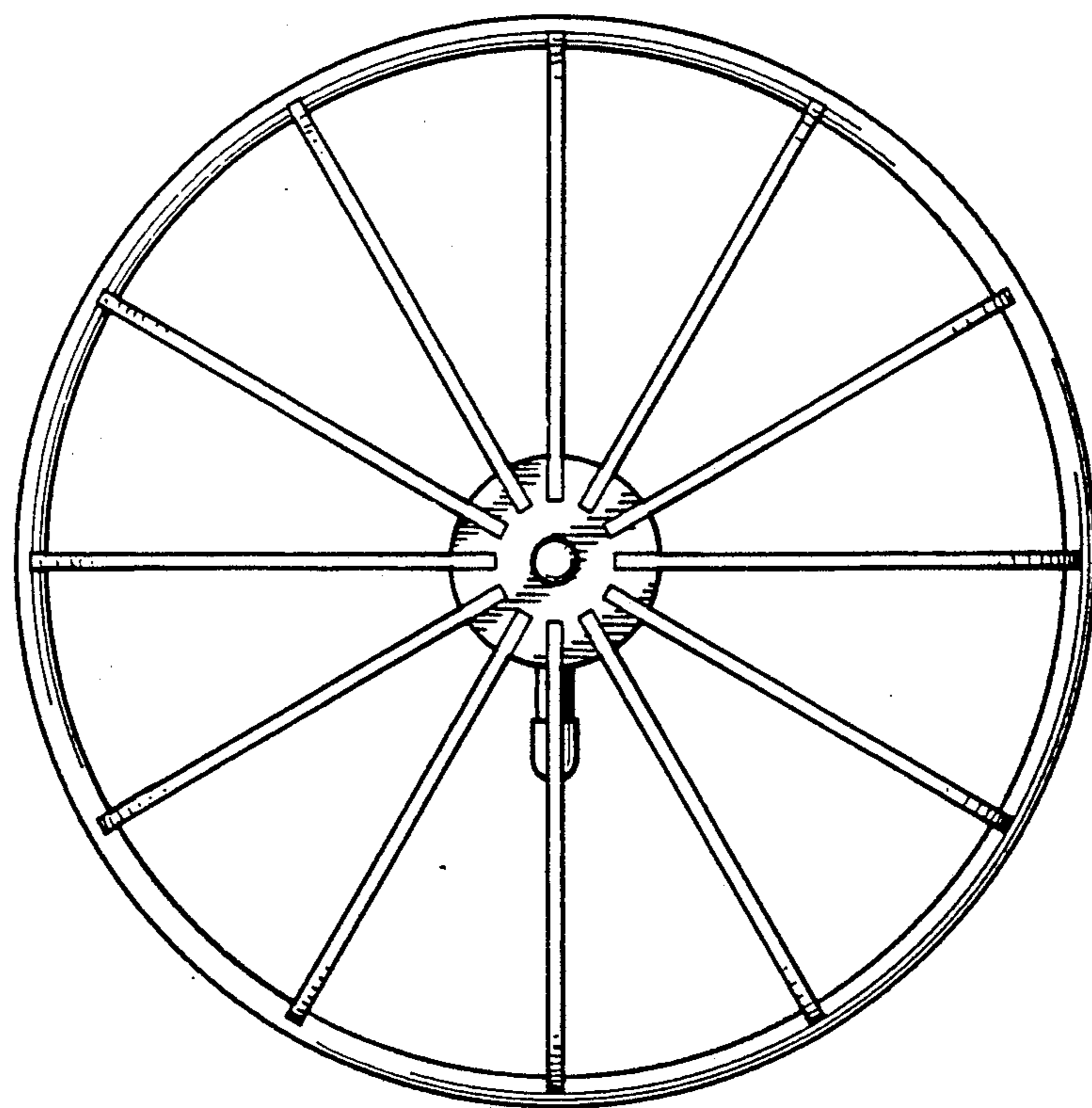


FIG. 2

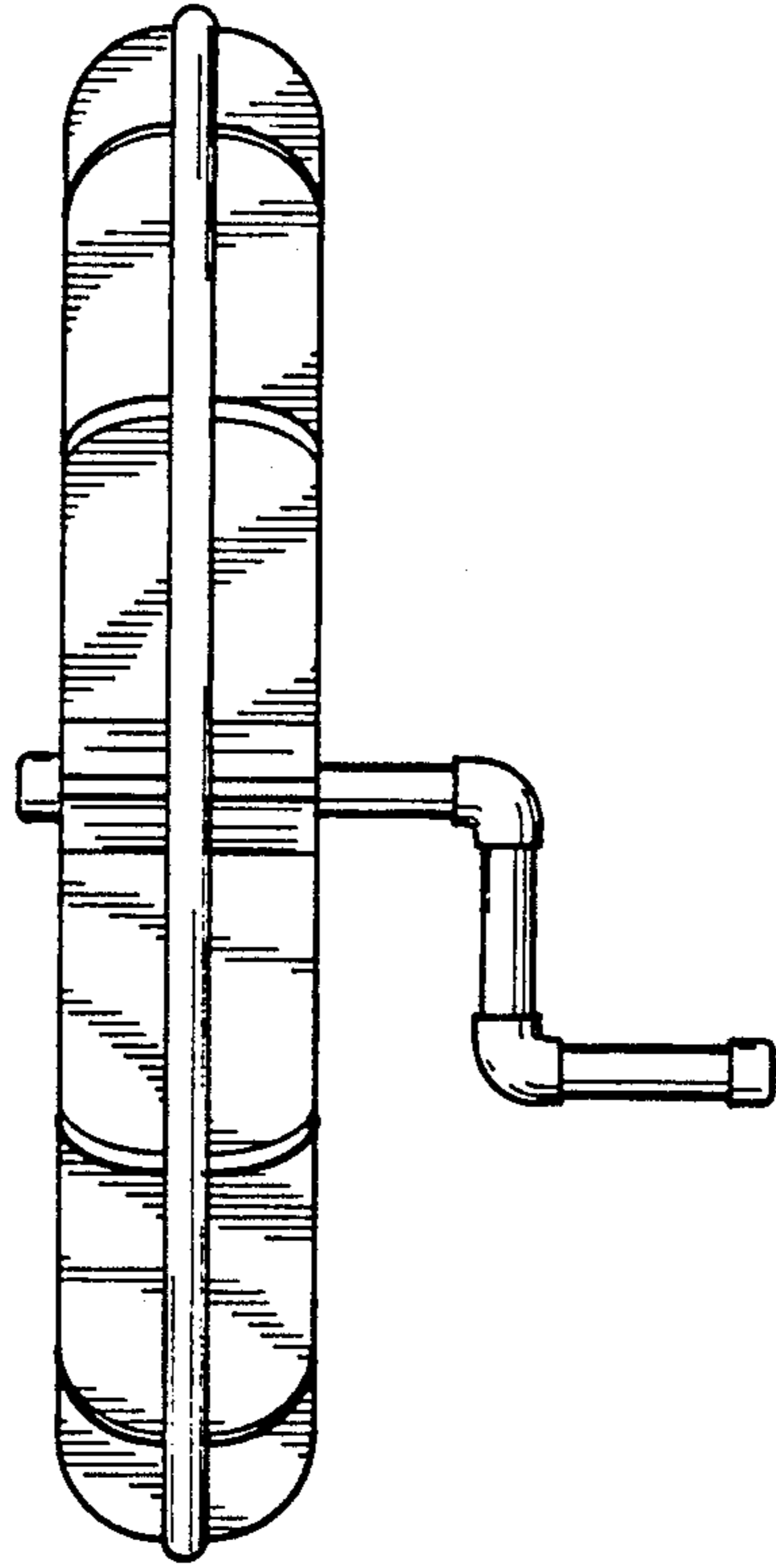


FIG. 3

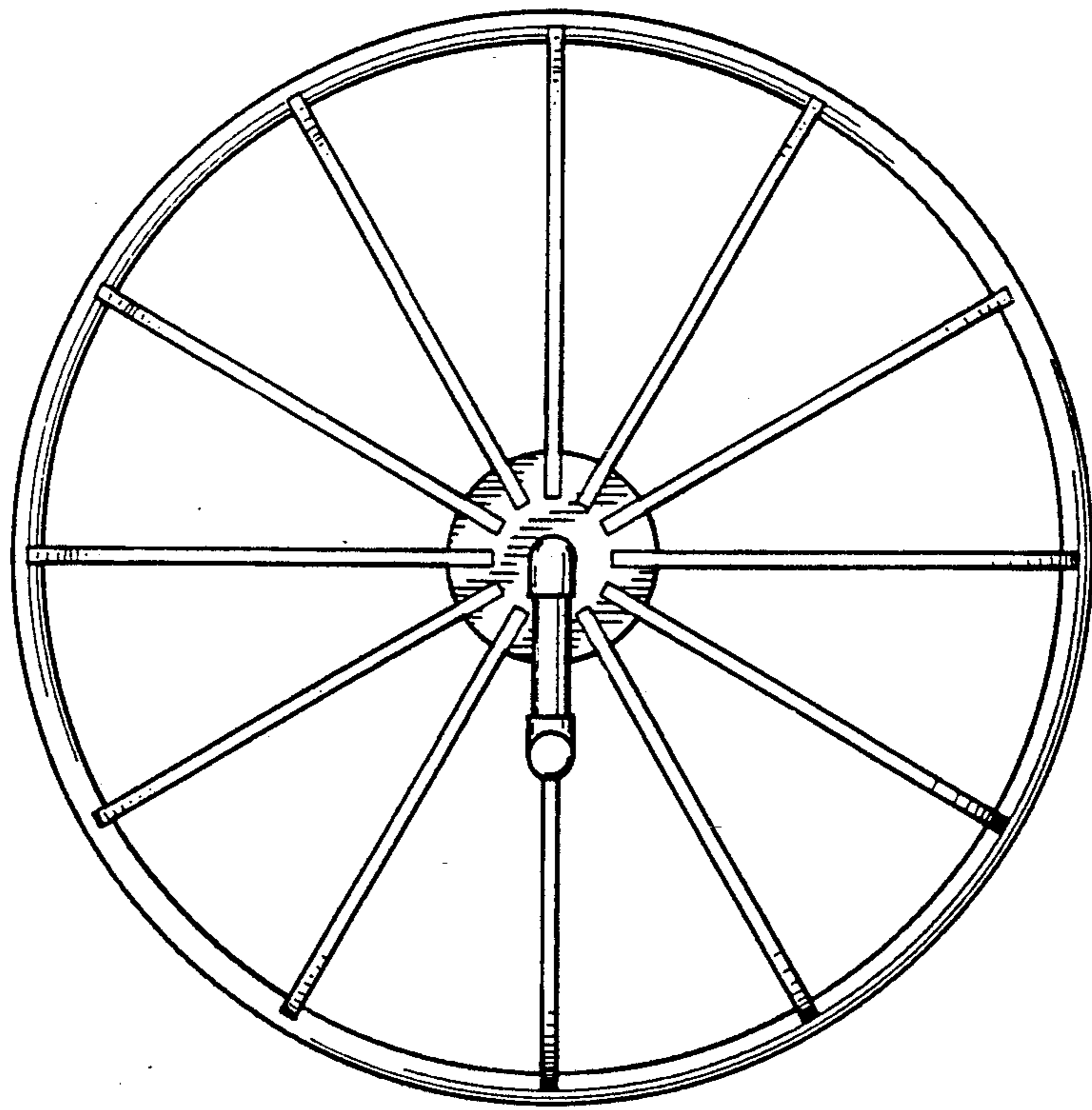


FIG. 4



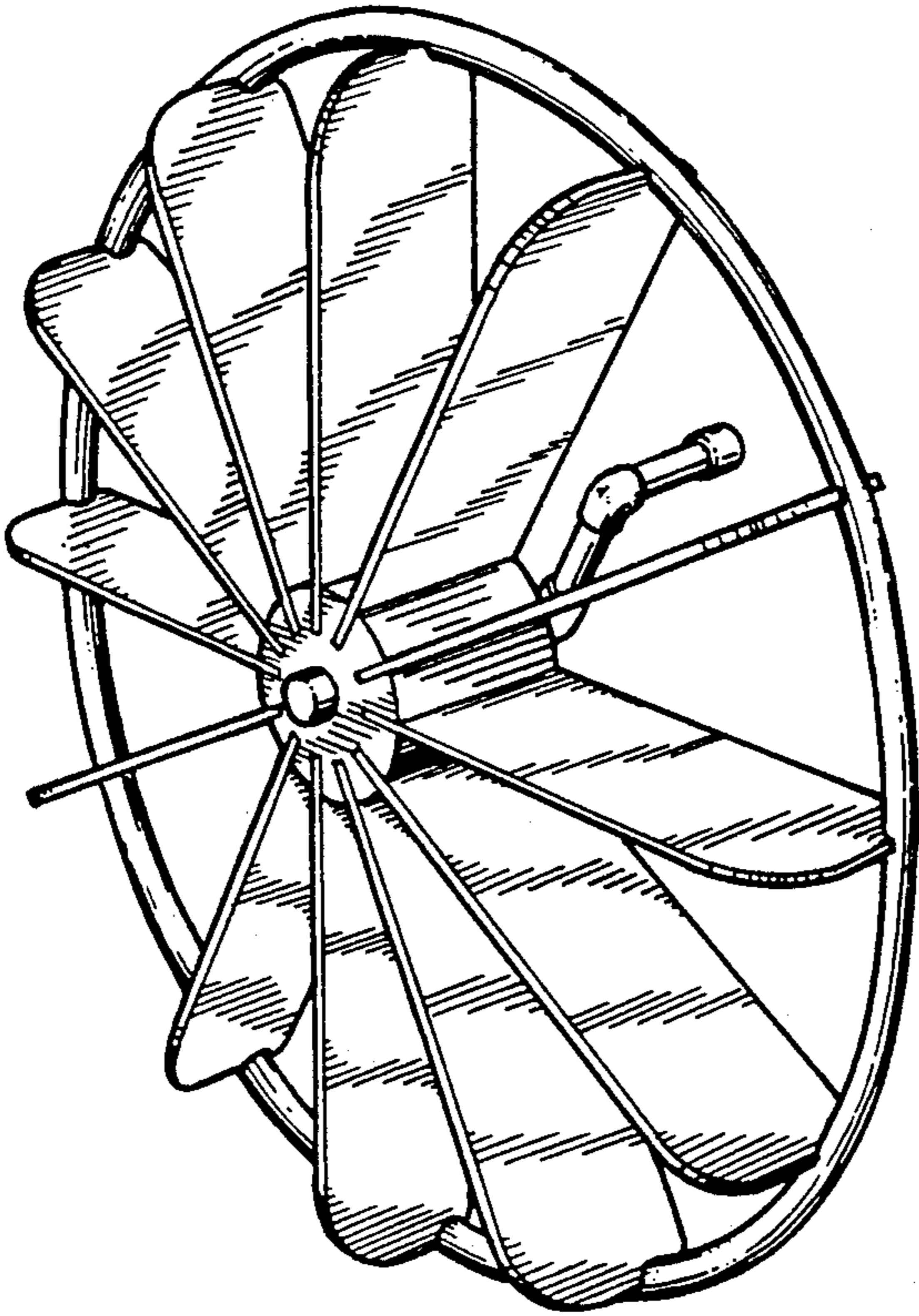


FIG. 5

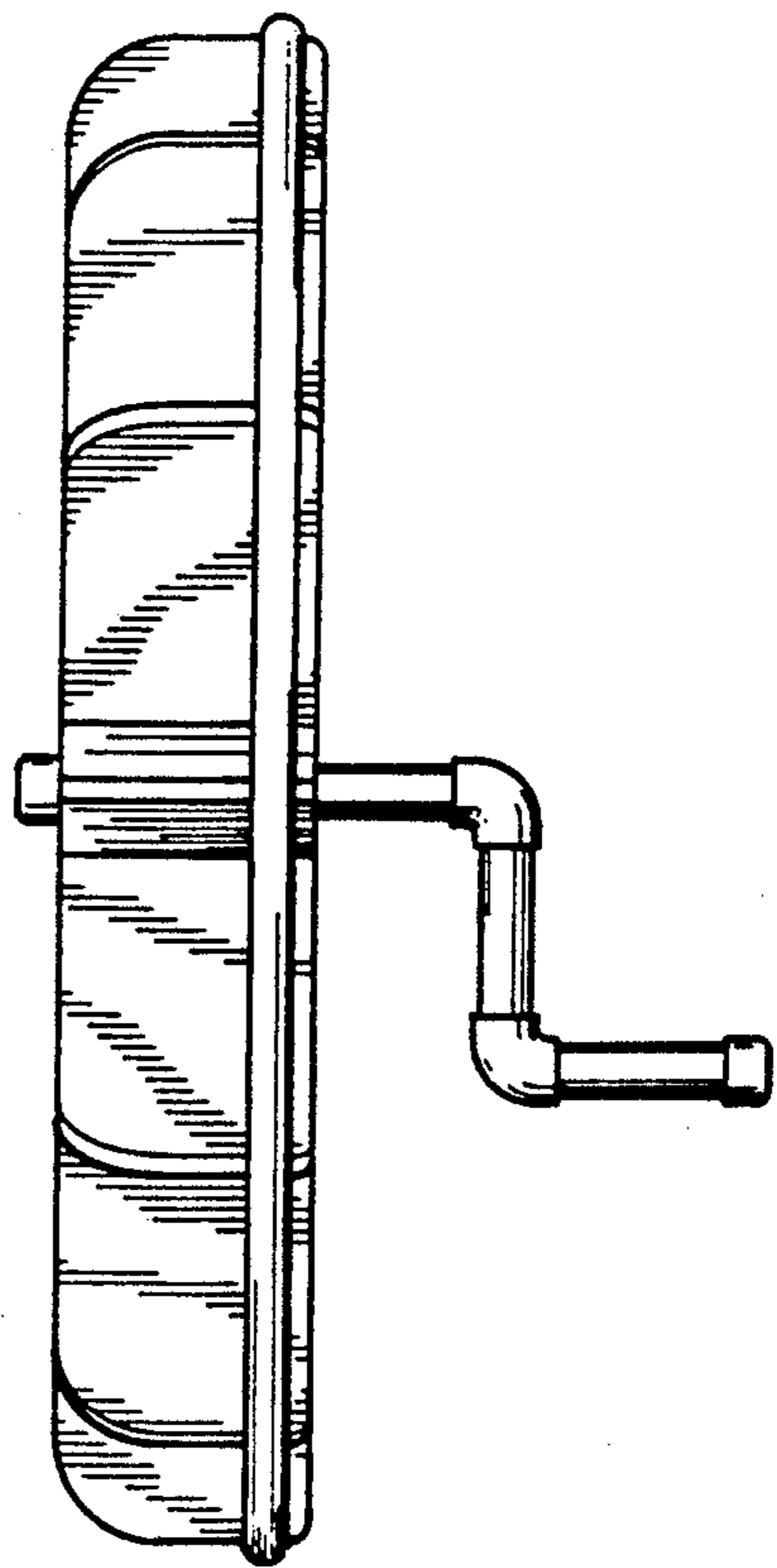


FIG. 6